

**N.B.**  
Pignoni **temprati ad induzione** sui denti (45 ÷ 55 HRC).  
La sede linguetta è in asse con il dente.

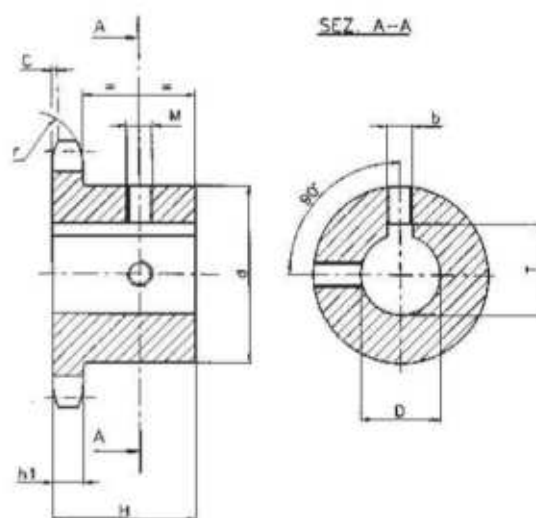
**N.B.**  
Sprockets have **induction hardened** teeth (45 ÷ 55 HRC).  
Keyway is located on center line of tooth.

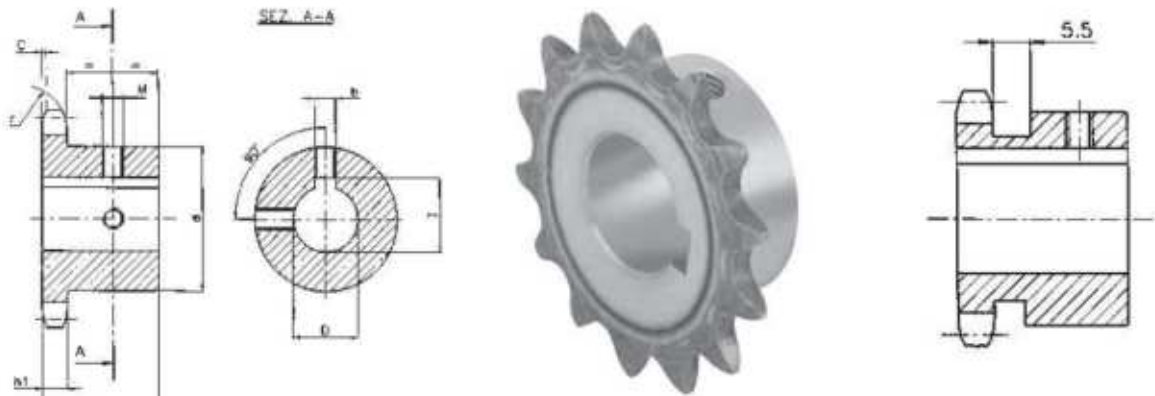
**N.B.**  
**Verzahnung induktiv gehärtet** (45 ÷ 55 HRC).  
Die Keilnut ist auf Zahnmitte ausgerichtet.

**N.B.**  
Pignons ont denture **traitée par induction** (45 ÷ 55 HRC).  
La rainure de clavette se trouve exactement en axe du dent.

**N.B.**  
Piñones tienen dientes **templados por inducción** (45 ÷ 55 HRC).  
La claveta está exactamente en línea con el diente.

D (H7)	b (H9)	T		M
10	3	D + 1,4	(+0,1/0)	M3
11	4	D + 1,8	(+0,1/0)	M3
12	4	D + 1,8	(+0,1/0)	M3
14	5	D + 2,3	(+0,1/0)	M4
15	5	D + 2,3	(+0,1/0)	M4
16	5	D + 2,3	(+0,1/0)	M4
18	6	D + 2,8	(+0,1/0)	M5
19	6	D + 2,8	(+0,1/0)	M5
20	6	D + 2,8	(+0,1/0)	M5
22	6	D + 2,8	(+0,2/0)	M5
24	8	D + 3,3	(+0,2/0)	M6
25	8	D + 3,3	(+0,2/0)	M6
28	8	D + 3,3	(+0,2/0)	M6
30	8	D + 3,3	(+0,2/0)	M6
32	10	D + 3,3	(+0,2/0)	M8
35	10	D + 3,3	(+0,2/0)	M8
38	10	D + 3,3	(+0,2/0)	M8
40	12	D + 3,3	(+0,2/0)	M10
42	12	D + 3,3	(+0,2/0)	M10
45	14	D + 3,8	(+0,2/0)	M12
48	14	D + 3,8	(+0,2/0)	M12
50	14	D + 3,8	(+0,2/0)	M12
60	18	D + 4,4	(+0,2/0)	M12
65	18	D + 4,4	(+0,2/0)	M12
70	20	D + 4,9	(+0,2/0)	M12





3/8" x 7/32"

Versione (\*) / Type (\*) / Typ (\*) / Tipo (\*)

06B-1 9,525 x 5,72 mm

DIN 8187 ISO/R606

CATENA	CHAIN	KETTE	CHAÎNE	CADENA	ISO mm
Passo	Pitch	Teilung	Pas	Paso	9,525
Larghezza interna	Internal width	Innere Breite	Largeur intérieure	Ancho interno	5,720
Rullo $\phi$	Roller $\phi$	Rollen $\phi$	$\phi$ du rouleau	Rodillo $\phi$	6,350

PIGNONE	SPROCKETS	KETTENRÄDER	PIGNONS	PIÑONES	
Raggio dente r	Tooth radius r	Radius r	Rayon de denture r	Radio diente r	r 10,0
Larghezza raggio C	Radius width C	Breite C	Largeur de rayon C	Ancho radio C	C 1,0
Largh. Dente $h_1$	Tooth width $h_1$	Zahnbreite $h_1$	Larg. de denture $h_1$	Ancho diente $h_1$	$h_1$ 5,3

b-T-M pag. / page 19

Materiale C45E  
UNI EN 10083-1

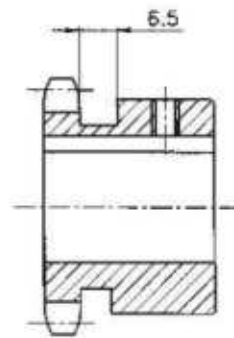
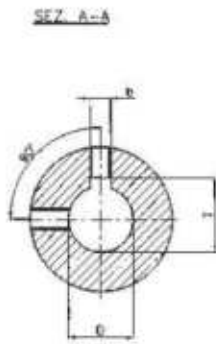
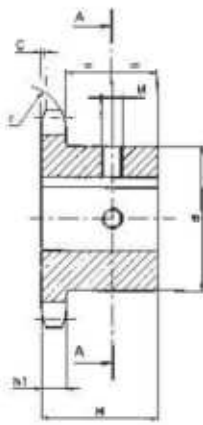
Material C45E  
UNI EN 10083-1

Werkstoff C45E  
UNI EN 10083-1

Matière C45E  
UNI EN 10083-1

Material C45E  
UNI EN 10083-1

Cod.	Z	D	H	d	Cod.	Z	D	H	d	Cod.	Z	D	H	d														
05SA010	10	10	22	24*	05SB416	16	24	28	42*	05SA821	21	18	28	48														
05SA110		11		25*	05SB516		25		05SA921	19																		
05SA210		12		26*	05SA217		12		05SB021	20																		
05SA410		14		29*	05SA417		14		05SB221	22																		
05SA011	11	10	25	24	05SA517	17	15	28	40	05SB421	22	24	28	50														
05SA211		12		26*	05SA617		16		05SB521	25																		
05SA411		14		29*	05SA817		18		05SA522	15																		
05SA511		15		30*	05SA917		19		05SA622	16																		
05SA611	16	31*	05SB017	20	05SB822	18	05SA922	19	05SB022	20	05SB222	22	05SB422	24	05SB522	25												
05SA012	12	10	25	25	05SB217	18	22	28	42	05SA523	23	15	28	52														
05SA212		12		26	05SB417		24		05SA623	16																		
05SA412		14		29*	05SB517		25		05SA823	18																		
05SA512		15		30*	05SA218		12		05SA923	19																		
05SA612	16	31*	05SA418	14	05SB023	20	05SB223	22	05SB423	24	05SB523	25	05SA524	15	05SA624	16	05SA824	18	05SA924	19	05SB024	20	05SB224	22	05SB424	24	05SB524	25
05SA013	13	10	25	28	05SA518	19	15	28	45	05SA625	24	16	28	54														
05SA213		12		29	05SA618		16		05SA825	18																		
05SA413		14		31	05SA818		18		05SA925	19																		
05SA513		15		30	05SA918		19		05SB025	20																		
05SA613	16	31*	05SB018	20	05SB225	22	05SB425	24	05SB525	25	05SA626	16	05SA826	18	05SA926	19	05SB026	20	05SB226	22	05SB426	24	05SB526	25				
05SA813	14	18	25	35*	05SB218	20	22	28	46	05SA827	25	16	30	60														
05SA214		12		29	05SB418		24		05SA927	19																		
05SA414		14		31	05SB518		25		05SB027	20																		
05SA514		15		30	05SA219		12		05SB227	22																		
05SA614	16	31*	05SA419	14	05SB427	24	05SB527	25	05SA627	16	05SA827	18	05SA927	19	05SB027	20	05SB227	22	05SB427	24	05SB527	25						
05SA814	15	18	25	35*	05SA519	21	15	28	48	05SA828	26	16	30	60														
05SA914		19		35*	05SA619		16		05SA928	19																		
05SA215		12		29	05SA819		18		05SB028	20																		
05SA415		14		31	05SA919		19		05SB228	22																		
05SA515	15	30	05SB019	20	05SB428	24	05SB528	25	05SA628	16	05SA828	18	05SA928	19	05SB028	20	05SB228	22	05SB428	24	05SB528	25						
05SA615	16	31*	05SB219	22	05SA220	12	05SA620	16	05SA820	18	05SA920	19	05SB020	20	05SB220	22	05SB420	24	05SB520	25								
05SA815	16	18	28	35*	05SB419	22	24	28	48	05SA821	27	18	30	60														
05SA915		19		35*	05SB519		25		05SA921	19																		
05SB015		20		36	05SA220		12		05SB021	20																		
05SB215		22		38*	05SA420		14		05SB221	22																		
05SB415	24	40*	05SA520	15	05SB421	24	05SB521	25	05SA621	16	05SA821	18	05SA921	19	05SB021	20	05SB221	22	05SB421	24	05SB521	25						
05SB515	25	42*	05SA620	16	05SA820	18	05SA920	19	05SB020	20	05SB220	22	05SB420	24	05SB520	25												
05SA216	16	12	28	37	05SA820	23	18	28	48	05SA920	28	19	30	60														
05SA416		14		37	05SA920		19		05SB020	20																		
05SA516		15		37	05SB020		20		05SB220	22																		
05SA616		16		37	05SB220		22		05SB420	24																		
05SA816	18	37	05SB420	24	05SB520	25	05SA621	16	05SA821	18	05SA921	19	05SB021	20	05SB221	22	05SB421	24	05SB521	25								
05SA916	19	37	05SB520	25	05SA521	15	05SA821	18	05SA921	19	05SB021	20	05SB221	22	05SB421	24	05SB521	25										
05SB016	20	37	05SA521	15	05SA821	18	05SA921	19	05SB021	20	05SB221	22	05SB421	24	05SB521	25												
05SB216	22	37	05SA621	16	05SA821	18	05SA921	19	05SB021	20	05SB221	22	05SB421	24	05SB521	25												



1/2" x 5/16"

Versione (\*) / Type (\*) / Typ (\*) / Tipo (\*)

08B-1 12,7 x 7,75 mm

DIN 8187 ISO/R606

CATENA	CHAIN	KETTE	CHAÎNE	CADENA	ISO mm
Passo	Pitch	Teilung	Pas	Paso	12,7
Larghezza interna	Internal width	Innere Breite	Largeur interieure	Ancho interno	7,8
Rullo ø	Roller ø	Rollen ø	ø du rouleau	Rodillo ø	8,5

PIGNONE	SPROCKETS	KETTENRÄDER	PIGNONS	PIÑONES	
Raggio dente r	Tooth radius r	Radius r	Rayon de denture r	Radio diente r	r 13,0
Larghezza raggio C	Radius width C	Breite C	Largeur de rayon C	Ancho radio C	C 1,3
Largh. Dente h <sub>1</sub>	Tooth width h <sub>1</sub>	Zahnbreite h <sub>1</sub>	Larg. de denture h <sub>1</sub>	Ancho diente h <sub>1</sub>	h <sub>1</sub> 7,2

b-T-M pag. / page 19

Materiale C45E  
UNI EN 10083-1

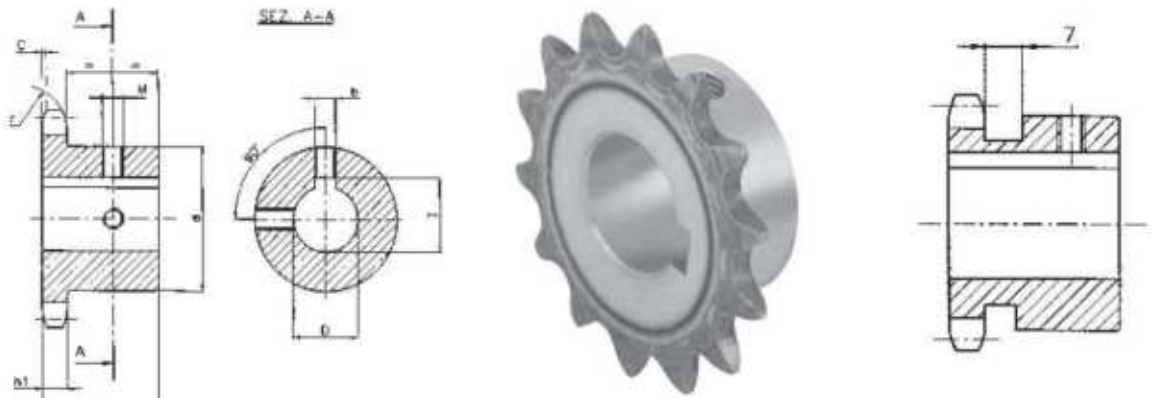
Material C45E  
UNI EN 10083-1

Werkstoff C45E  
UNI EN 10083-1

Matière C45E  
UNI EN 10083-1

Material C45E  
UNI EN 10083-1

Cod.	Z	D	H	d	Cod.	Z	D	H	d	Cod.	Z	D	H	d	Cod.	Z	D	H	d
09SA210		12		26	09SA515		15			09SC818	18	38	28	56	09SB822		28		
09SA410	10	14	25	29*	09SA615		16			09SA619		16			09SC022		30		
09SA510		15		30*	09SA815		18			09SA819		18			09SC222	22	32	28	70
09SA610		16		31*	09SA915		19			09SA919		19			09SC522		35		
09SA211		12		29	09SB015		20		45	09SB019		20			09SC822		38		
09SA411		14			09SB215	15	22	28		09SB219		22			09SA923		19		
09SA511		15		30	09SB415		24			09SB419		24			09SB023		20		
09SA611	11	16	25	31	09SB515		25			09SB519	19	25	28	60	09SB223		22		
09SA811		18		34*	09SB815		28			09SB819		28			09SB423		24		
09SA911		19		35*	09SC015		30		47	09SC019		30			09SB523		25	28	70
09SA212		12			09SC215		32		49*	09SC219		32			09SB823	23	28		
09SA412		14			09SA516		15			09SC519		35			09SC023		30		
09SA512		15		33	09SA616		16			09SC819		38			09SC223		32		
09SA612		16			09SA816		18			09SA620		16			09SC523		35		
09SA812		18			09SA916		19			09SA820		18			09SC823		38		
09SA912	12	19	28	35	09SB016		20		50	09SA920		19			09SA924		19		
09SB012		20		36	09SB216	16	22	28		09SB020		20			09SB024		20		
09SB212		22		38*	09SB416		24			09SB220		22			09SB224		22		
09SB412		24		41*	09SB516		25			09SB420		24			09SB424		24		
09SB512		25		42*	09SB816		28			09SB520	20	25	28	64	09SB524		25	28	70
09SA213		12			09SC016		30		53*	09SB820		28			09SB824	24	28	28	70
09SA413		14			09SC216		32			09SC020		30			09SC024		30		
09SA513		15			09SA517		15			09SC220		32			09SC224		32		
09SA613		16		37	09SA617		16			09SC520		35			09SC524		35		
09SA813		18			09SA817		18			09SC820		38			09SC824		38		
09SA913	13	19	28		09SA917		19			09SA621		16			09SA925		19		
09SB013		20			09SB017		20			09SA821		18			09SB025		20		
09SB213		22			09SB217	17	22	28	52	09SA921		19			09SB225		22		
09SB413		24		42*	09SB417		24			09SB021		20			09SB425		24		
09SB513		25		45*	09SB517		25			09SB221		22			09SB525		25	28	70
09SB813		28			09SB817		28			09SB421	21	24	28	68	09SB825	25	28		
09SA214		12			09SC017		30			09SB521		25			09SC025		30		
09SA414		14			09SC217		32			09SB821		28			09SC225		32		
09SA514		15			09SA618		16			09SC021		30			09SC525		35		
09SA614		16		41	09SA818		18			09SC221		32			09SC825		38		
09SA814		18			09SA918		19			09SC521		35			09SB530		25		
09SA914	14	19			09SB018		20			09SC821		38			09SB830		28		
09SB014		20			09SB218		22			09SA622		16			09SC030		30	30	80
09SB214		22			09SB418	18	24	28	56	09SA822		18			09SC230		32		
09SB414		24			09SB518		25			09SA922		19			09SC530		35		
09SB514		25			09SB818		28			09SB022	22	20	28	70	09SC830		38		
09SB814		28		45*	09SC018		30			09SB222		22							
09SA215	15	12	28	45	09SC218		32			09SB422		24							
09SA415		14			09SC518		35			09SB522		25							



5/8" x 3/8"

Versione (\*) / Type (\*) / Typ (\*) / Tipo (\*)

10B-1 15,875 x 9,65 mm

DIN 8187 ISO/R606

CATENA	CHAIN	KETTE	CHAÎNE	CADENA	ISO mm
Passo	Pitch	Teilung	Pas	Paso	15,875
Larghezza interna	Internal width	Innere Breite	Largeur interieure	Ancho interno	9,700
Rullo $\phi$	Roller $\phi$	Rollen $\phi$	$\phi$ du rouleau	Rodillo $\phi$	10,000

PIGNONE	SPROCKETS	KETTENRÄDER	PIGNONS	PIÑONES	
Raggio dente r	Tooth radius r	Radius r	Rayon de denture r	Radio diente r	r 16,0
Larghezza raggio C	Radius width C	Breite C	Largeur de rayon C	Ancho radio C	C 1,6
Largh. Dente $h_1$	Tooth width $h_1$	Zahnbreite $h_1$	Larg. de denture $h_1$	Ancho diente $h_1$	$h_1$ 9,1

b-T-M pag. / page 19

Materiale C45E  
UNI EN 10083-1

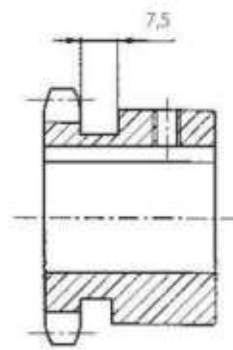
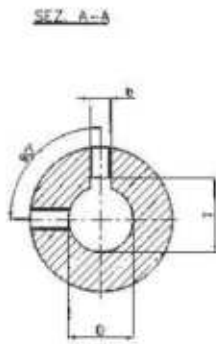
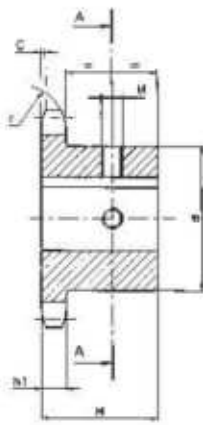
Material C45E  
UNI EN 10083-1

Werkstoff C45E  
UNI EN 10083-1

Matière C45E  
UNI EN 10083-1

Material C45E  
UNI EN 10083-1

Cod.	Z	D	H	d	Cod.	Z	D	H	d	Cod.	Z	D	H	d	Cod.	Z	D	H	d		
10SA510	10	15	25	35	10SB814	14	28	30	52	10SA919	19	19	30	70	10SC522	22	35	30	80	80	
10SA610		16			10SC014		30			10SB019		20			10SC822		38				
10SA910		19			10SC214		32			10SB219		22			10SD022		40				
10SB010		20			10SA915		19			10SB419		24			10SD222		42				
10SB410		24			10SB015		20			10SB519		25			10SA923		19				10SB023
10SA511	11	15	30	42*	10SB215	15	22	30	57	10SC019	19	30	30	70	10SB223	23	22	30	80		
10SA611		16			10SB415		24			10SC219		32			10SB423		24				
10SA811		18			10SB515		25			10SC519		35			10SB523		25				
10SA911		19			10SB815		28			10SC819		38			10SB823		28				
10SB011		20			10SC015		30			10SD019		40			10SC023		30				
10SB411	24	10SC215	32	10SD219	42	10SC223	32														
10SB511	25	10SC515	35	10SA916	19	10SA920	19	10SC523	35												
10SB811	28	10SA916	19	10SB016	20	10SB020	20	10SC823	38												
10SC011	30	10SB016	20	10SB216	22	10SB220	22	10SD023	40												
10SA512	12	15	30	42	10SB416	16	24	30	60	10SB420	20	24	30	75	10SD223	24	42	30	80		
10SA612		16			10SB516		25			10SB520		25			10SA924		19			10SB024	20
10SA812		18			10SB816		28			10SB820		28			10SB224		22				
10SA912		19			10SC016		30			10SC020		30			10SB424		24				
10SB012		20			10SC216		32			10SC220		32			10SB524		25				
10SB212	22	10SC516	35	10SC820	38	10SB824	28														
10SB412	24	10SC816	38	10SA917	19	10SD020	40	10SC024	30												
10SB512	25	10SA917	19	10SB017	20	10SD220	42	10SC224	32												
10SB812	28	10SB217	22	10SB217	22	10SA921	19	10SC524	35												
10SC012	30	10SB417	24	10SB417	24	10SB021	20	10SC824	38												
10SC212	32	10SB517	25	10SB517	25	10SB221	22	10SD024	40												
10SA513	13	15	30	47	10SB817	17	28	30	60	10SB421	21	24	30	75	10SD224	24	42	30	80		
10SA613		16			10SC017		30			10SB521		25			10SA925		19			10SB025	20
10SA813		18			10SC217		32			10SB821		28			10SB225		22				
10SA913		19			10SC517		35			10SC021		30			10SB425		24				
10SB013		20			10SB817		38			10SC221		32			10SB525		25				
10SB213	22	10SA918	19	10SC821	38	10SB825	28														
10SB413	24	10SB018	20	10SD021	40	10SC025	30														
10SB513	25	10SB218	22	10SD221	42	10SC225	32														
10SB813	28	10SB418	24	10SA922	19	10SC525	35														
10SC013	30	10SB518	25	10SA922	19	10SC825	38														
10SC213	32	10SB818	28	10SB022	20	10SD025	40														
10SA514	14	15	30	52	10SB222	22	22	30	70	10SD225	22	42	30	80		25	30	30	80		
10SA614		16			10SC018		30			10SB422		24			10SC022		30				
10SA814		18			10SC218		32			10SB522		25			10SB822		28				
10SA914		19			10SC518		35			10SB822		28			10SC022		30				
10SB014		20			10SC818		38			10SD018		40			10SC222		32				
10SB214	22	10SD018	40	10SB218	22																
10SB414	24	10SD218	42	10SB418	24																
10SB514	25			10SB518	25																
				10SB818	28																
				10SC018	30																
				10SC218	32																
				10SC518	35																
				10SC818	38																
				10SD018	40																
				10SD218	42																



3/4" x 7/16"

Versione (\*) / Type (\*) / Typ (\*) / Tipo (\*)

12B-1 19,05 x 11,68 mm

DIN 8187 ISO/R606

CATENA	CHAIN	KETTE	CHAÎNE	CADENA	ISO mm
Passo	Pitch	Teilung	Pas	Paso	19,05
Larghezza interna	Internal width	Innere Breite	Largeur interieure	Ancho interno	11,68
Rullo ø	Roller ø	Rollen ø	ø du rouleau	Rodillo ø	12,07

PIGNONE	SPROCKETS	KETTENRÄDER	PIGNONS	PIÑONES	
Raggio dente r	Tooth radius r	Radius r	Rayon de denture r	Radio diente r	r 19,0
Larghezza raggio C	Radius width C	Breite C	Largeur de rayon C	Ancho radio C	C 2,0
Largh. Dente h <sub>1</sub>	Tooth width h <sub>1</sub>	Zahnbreite h <sub>1</sub>	Larg. de denture h <sub>1</sub>	Ancho diente h <sub>1</sub>	h <sub>1</sub> 11,1

b-T-M pag. / page 19

Materiale C45E  
UNI EN 10083-1

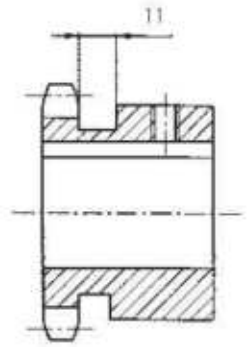
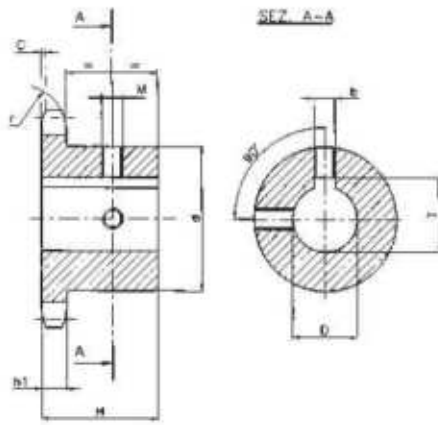
Material C45E  
UNI EN 10083-1

Werkstoff C45E  
UNI EN 10083-1

Matière C45E  
UNI EN 10083-1

Material C45E  
UNI EN 10083-1

Cod.	Z	D	H	d	Cod.	Z	D	H	d	Cod.	Z	D	H	d	Cod.	Z	D	H	d
11SA910		19			11SA915		19			11SD019		40			11SD023		40		
11SB010		20			11SB015		20			11SD219		42			11SD223		42		
11SB410		24		42	11SB215		22			11SD519	19	45	35	80	11SD523	23	45	40	90
11SB510	10	25	30		11SB415		24			11SD819		48			11SD823		48		
11SB810		28		45	11SB515		25			11SE019		50			11SE023		50		
11SC010		30		47*	11SB815	15	28	35	70	11SB520		25			11SB524		25		
11SC210		32		49*	11SC015		30			11SB820		28			11SB824		28		
11SA911		19			11SC215		32			11SC020		30			11SC024		30		
11SB011		20			11SC515		35			11SC220		32			11SC224		32		
11SB411		24		46	11SC815		38			11SC520		35			11SC524		35		
11SB511	11	25	35		11SD015		40			11SC820	20	38	35	80	11SC824	24	38	40	90
11SB811		28		49	11SA916		19			11SD020		40			11SD024		40		
11SC011		30		51	11SB016		20			11SD220		42			11SD224		42		
11SC211		32		53*	11SB216		22			11SD520		45			11SD524		45		
11SA912		19			11SB416		24			11SD820		48			11SD824		48		
11SB012		20			11SB516		25			11SE020		50			11SE024		50		
11SB212		22			11SB816	16	28	35	75	11SB521		25			11SB525		25		
11SB412		24		52	11SC016		30			11SB821		28			11SB825		28		
11SB512	12	25	35		11SC216		32			11SC021		30			11SC025		30		
11SB812		28			11SC516		35			11SC221		32			11SC225		32		
11SC012		30			11SC816		38			11SC521		35			11SC525		35		
11SC212		32		53	11SD016		40			11SC821	21	38	40	90	11SC825	25	38	40	90
11SC512		35		56	11SB517		25			11SD021		40			11SD025		40		
11SA913		19			11SB817		28			11SD221		42			11SD225		42		
11SB013		20			11SC017		30			11SD521		45			11SD525		45		
11SB213		22			11SC217	17	32	35	80	11SD821		48			11SD825		48		
11SB413		24			11SC517		35			11SE021		50			11SE025		50		
11SB513	13	25	35	58	11SC817		38			11SB522		25							
11SB813		28			11SD017		40			11SB822		28							
11SC013		30			11SD217		42			11SC022		30							
11SC213		32			11SB518		25			11SC222		32							
11SC513		35			11SB818		28			11SC522		35							
11SC813		38			11SC018		30			11SC822	22	38	40	90					
11SA914		19			11SC218	18	32	35	80	11SD022		40							
11SB014		20			11SC518		35			11SD222		42							
11SB214		22			11SC818		38			11SD522		45							
11SB414		24			11SD018		40			11SD822		48							
11SB514	14	25	35	64	11SD218		42			11SE022		50							
11SB814		28			11SB519		25			11SB523		25							
11SC014		30			11SB819		28			11SB823		28							
11SC214		32			11SC019	19	30	35	80	11SC023		30							
11SC514		35			11SC219		32			11SC223	23	32	40	90					
11SC814		38			11SC519		35			11SC523		35							
11SD014		40		67	11SC819		38			11SC823		38							



1" x 17,02 mm

Versione (\*) / Type (\*) / Typ (\*) / Tipo (\*)

16B-1 25,4 x 17,02 mm

DIN 8187 ISO/R606

CATENA	CHAIN	KETTE	CHAÎNE	CADENA	ISO mm
Passo	Pitch	Teilung	Pas	Paso	25,40
Larghezza interna	Internal width	Innere Breite	Largeur interieure	Ancho interno	17,02
Rullo $\phi$	Roller $\phi$	Rollen $\phi$	$\phi$ du rouleau	Rodillo $\phi$	15,88

PIGNONE	SPROCKETS	KETTENRÄDER	PIGNONS	PIÑONES	
Raggio dente r	Tooth radius r	Radius r	Rayon de denture r	Radio diente r	r 26,0
Larghezza raggio C	Radius width C	Breite C	Largeur de rayon C	Ancho radio C	C 2,5
Largh. Dente $h_1$	Tooth width $h_1$	Zahnbreite $h_1$	Larg. de denture $h_1$	Ancho diente $h_1$	$h_1$ 16,2

b-T-M pag. / page 19

Materiale C45E  
UNI EN 10083-1

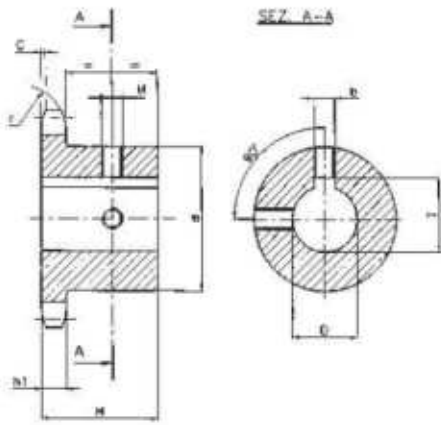
Material C45E  
UNI EN 10083-1

Werkstoff C45E  
UNI EN 10083-1

Matière C45E  
UNI EN 10083-1

Material C45E  
UNI EN 10083-1

CODICE	Z	D	H	d	CODICE	Z	D	H	d	CODICE	Z	D	H	d	CODICE	Z	D	H	d
12SB511	11	25	40	61	12SD015	15	40	40	92	12SD019	19	40	45	100	12SD023	23	40	50	110
12SB811		28			12SD215		42			12SD219		42			12SD223		42		
12SC011		30			12SD515		45			12SD519		45			12SD523		45		
12SC211		32			12SD815		48			12SD819		48			12SD823		48		
12SC511		35			12SE015		50			12SE019		50			12SE023		50		
12SC811		38			12SB516		25			12SB520		25			12SB524		25		
12SD011		40			12SB816		28			12SB820		28			12SB824		28		
12SD211		42			12SC016		30			12SC020		30			12SC024		30		
12SB512		25			12SC216		32			12SC220		32			12SC224		32		
12SB812		28			12SC516		35			12SC520		35			12SC524		35		
12SC012	30	12SC816	38	12SC820	38	12SC824	38												
12SC212	32	12SD016	40	12SD020	40	12SD024	40												
12SC512	35	12SD216	42	12SD220	42	12SD224	42												
12SC812	38	12SD516	45	12SD520	45	12SD524	45												
12SD012	40	12SD816	48	12SD820	48	12SD824	48												
12SD212	42	12SE016	50	12SE020	50	12SE024	50												
12SB513	25	12SB517	25	12SB521	25	12SB525	25												
12SB813	28	12SB817	28	12SB821	28	12SB825	28												
12SC013	30	12SC017	30	12SC021	30	12SC025	30												
12SC213	32	12SC217	32	12SC221	32	12SC225	32												
12SC513	35	12SC517	35	12SC521	35	12SC525	35												
12SC813	38	12SC817	38	12SC821	38	12SC825	38												
12SD013	40	12SD017	40	12SD021	40	12SD025	40												
12SD213	42	12SD217	42	12SD221	42	12SD225	42												
12SD513	45	12SD517	45	12SD521	45	12SD525	45												
12SD813	48	12SD817	48	12SD821	48	12SD825	48												
12SE013	50	12SE017	50	12SE021	50	12SE025	50												
12SB514	25	12SB518	25	12SB522	25														
12SB814	28	12SB818	28	12SB822	28														
12SC014	30	12SC018	30	12SC022	30														
12SC214	32	12SC218	32	12SC222	32														
12SC514	35	12SC518	35	12SC522	35														
12SC814	38	12SC818	38	12SC822	38	22	38	50	110										
12SD014	40	12SD018	40	12SD022	40														
12SD214	42	12SD218	42	12SD222	42														
12SD514	45	12SD518	45	12SD522	45														
12SD814	48	12SD818	48	12SD822	48														
12SE014	50	12SE018	50	12SE022	50														
12SB515	25	12SB519	25	12SB523	25														
12SB815	28	12SB819	28	12SB823	28														
12SC015	30	12SC019	30	12SC023	30	23	30	50	110										
12SC215	32	12SC219	32	12SC223	32														
12SC515	35	12SC519	35	12SC523	35														
12SC815	38	12SC819	38	12SC823	38														



**1" 1/4 x 3/4"**

**20B-1 31,75 x 19,56 mm**

**DIN 8187 ISO/R606**

CATENA	CHAIN	KETTE	CHAÎNE	CADENA	ISO mm
Passo	Pitch	Teilung	Pas	Paso	<b>31,75</b>
Larghezza interna	Internal width	Innere Breite	Largeur interieure	Ancho interno	<b>19,56</b>
Rullo ø	Roller ø	Rollen ø	ø du rouleau	Rodillo ø	<b>19,05</b>

PIGNONE	SPROCKETS	KETTENRÄDER	PIGNONS	PIÑONES	
Raggio dente r	Tooth radius r	Radius r	Rayon de denture r	Radio diente r	<b>r 32,0</b>
Larghezza raggio C	Radius width C	Breite C	Largeur de rayon C	Ancho radio C	<b>C 3,5</b>
Largh. Dente h <sub>1</sub>	Tooth width h <sub>1</sub>	Zahnbreite h <sub>1</sub>	Larg. de denture h <sub>1</sub>	Ancho diente h <sub>1</sub>	<b>h<sub>1</sub> 18,5</b>

**b-T-M pag. / page 19**

**Materiale C45E  
UNI EN 10083-1**

**Material C45E  
UNI EN 10083-1**

**Werkstoff C45E  
UNI EN 10083-1**

**Matière C45E  
UNI EN 10083-1**

**Material C45E  
UNI EN 10083-1**

CODICE	Z	D	H	d
13SB509		25		
13SC009		30		
13SC209	09	32	40	63
13SC509		35		
13SC809		38		
13SB510		25		
13SC010		30		
13SC210	10	32	40	70
13SC510		35		
13SC810		38		
13SB511		25		
13SB811		28		
13SC011		30		
13SC211		32		
13SC511		35		77
13SC811	11	38	45	
13SD011		40		
13SD211		42		
13SD511		45		
13SE011		50		82
13SF011		60		93
13SB512		25		
13SB812		28		
13SC012		30		
13SC212		32		
13SC512		35		
13SC812	12	38	45	88
13SD012		40		
13SD212		42		
13SD512		45		
13SD812		48		
13SE012		50		
13SF012		60		93
13SB513		25		
13SB813	13	28	45	98
13SC013		30		

CODICE	Z	D	H	d
13SC213		32		
13SC513		35		
13SC813		38		
13SD013		40		
13SD213	13	42	45	98
13SD513		45		
13SD813		48		
13SE013		50		
13SF013		60		
13SC214		32		
13SC514		35		
13SC814		38		
13SD014		40		
13SD214	14	42	45	108
13SD514		45		
13SC814		48		
13SE014		50		
13SF014		60		
13SC215		32		
13SC515		35		
13SC815		38		
13SD015		40		
13SD215	15	42	45	118
13SD515		45		
13SD815		48		
13SE015		50		
13SF015		60		
13SC816		38		
13SD016		40		
13SD216		42		
13SD516		45		
13SD816	16	48	50	120
13SE016		50		
13SF016		60		
13SF516		65		
13SG016		70		

CODICE	Z	D	H	d
13SC817		38		
13SD017		40		
13SD217		42		
13SD517		45		
13SD817	17	48	50	120
13SE017		50		
13SF017		60		
13SF517		65		
13SG017		70		
13SC818		38		
13SD018		40		
13SD218		42		
13SD518		45		
13SD818	18	48	50	120
13SE018		50		
13SF018		60		
13SF518		65		
13SG018		70		
13SC819		38		
13SD019		40		
13SD219		42		
13SD519		45		
13SD819	19	48	50	120
13SE019		50		
13SF019		60		
13SF519		65		
13SG019		70		
13SC820		38		
13SD020		40		
13SD220		42		
13SD520		45		
13SD820	20	48	50	120
13SE020		50		
13SF020		60		
13SF520		65		
13SG020		70		



## **PIGNONI E CORONE**

Sprockets and plate wheels

Kettenräder

Pignons et disques

Piñones y discos



## Pignoni / Sprockets Kettenräder mit Nabe / Pignons / Piñones

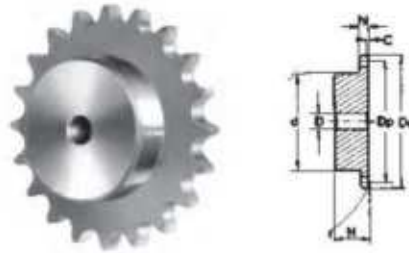
Pignoni per catene semplici,  
a rulli secondo: DIN 8187 -  
ISO/R 606

Sprockets for simplex, chain  
to: DIN 8187 - ISO/R 606

Kettenräder mit einseitiger  
Nabe für Simplex-Rollenkette  
nach: DIN 8187 - ISO/R 606

Pignons avec moyeu déporté  
pour chaînes simples, à  
rouleaux suivant les normes:  
DIN 8187 - ISO/R 606

Piñones para cadena simple,  
de rodillos según las normas:  
DIN 8187 - ISO/R 606



**5 x 2,5 mm**

**03 - 1**

CATENA	CHAIN	KETTE	CHAÎNE	CADENA	ISO mm
Passo	Pitch	Teilung	Pas	Paso	<b>5,0</b>
Larghezza interna	Internal width	Innere Breite	Largeur interieure	Ancho interno	<b>2,5</b>
Rullo $\varnothing$	Roller $\varnothing$	Rollen $\varnothing$	$\varnothing$ du rouleau	Rodillo $\varnothing$	<b>3,2</b>

PIGNONE	SPROCKETS	KETTENRÄDER	PIGNONS	PIÑONES	ISO mm
Raggio dente r	Tooth radius r	Radius r	Rayon de denture r	Radio diente r	<b>r</b> <b>5,0</b>
Larghezza raggio C	Radius width C	Breite C	Largeur de rayon C	Ancho radio C	<b>C</b> <b>0,6</b>
Largh. dente $h_1$	Tooth width $h_1$	Zahnbreite $h_1$	Larg. de denture $h_1$	Ancho diente $h_1$	<b><math>h_1</math></b> <b>2,3</b>
Largh. dente L	Tooth width L	Zahnbreite L	Larg. de denture L	Ancho diente L	<b>L</b> -
Largh. dente $h_2$	Tooth width $h_2$	Zahnbreite $h_2$	Larg. de denture $h_2$	Ancho diente $h_2$	<b><math>h_2</math></b> -
Largh. dente $h_3$	Tooth width $h_3$	Zahnbreite $h_3$	Larg. de denture $h_3$	Ancho diente $h_3$	<b><math>h_3</math></b> -
Altezza totale H	Full height H	Gesamt Höhe H	Hauteur totale H	Altura total H	<b>H</b> -

**Materiale C45E**  
**UNI EN 10083-1**

**Material C45E**  
**UNI EN 10083-1**

**Werkstoff C45E**  
**UNI EN 10083-1**

**Matière C45E**  
**UNI EN 10083-1**

**Material C45E**  
**UNI EN 10083-1**

Z	D <sub>c</sub>	D <sub>p</sub>	Simplex			
			cod.	d	D	H
8	15,2	13,06	PS 01008	7	4	10
9	16,8	14,62	PS 01009	8	5	10
10	18,3	16,18	PS 01010	9	5	10
11	19,9	17,75	PS 01011	11	6	10
12	21,5	19,32	PS 01012	12	6	10
13	23,0	20,89	PS 01013	14	6	10
14	24,6	22,47	PS 01014	15	6	10
15	26,2	24,04	PS 01015	16	6	10
16	27,8	25,63	PS 01016	18	8	13
17	29,4	27,20	PS 01017	18	8	13
18	30,9	28,79	PS 01018	18	8	13
19	32,5	30,38	PS 01019	18	8	13
20	34,1	31,96	PS 01020	18	8	13
21	35,7	33,54	PS 01021	20	8	13
22	37,3	35,13	PS 01022	20	8	13
23	38,9	36,72	PS 01023	20	8	13
24	40,5	38,30	PS 01024	20	8	13
25	42,0	39,89	PS 01025	20	8	13
26	43,6	41,48	PS 01026	25	8	15
27	45,2	43,07	PS 01027	25	8	15
28	46,8	44,65	PS 01028	25	8	15
29	48,4	46,25	PS 01029	25	8	15
30	50,0	47,83	PS 01030	25	8	15
31	51,6	49,42	PS 01031	30	8	15
32	53,2	51,01	PS 01032	30	8	15
33	54,8	52,60	PS 01033	30	8	15
34	56,3	54,19	PS 01034	30	8	15
35	57,9	55,78	PS 01035	30	8	15
36	59,5	57,37	PS 01036	30	8	15
37	61,1	58,96	PS 01037	30	8	15
38	62,7	60,54	PS 01038	30	8	15
39	64,3	62,13	PS 01039	30	8	15
40	65,9	63,73	PS 01040	30	8	15

# Pignoni / Sprockets

## Kettenräder mit Nabe / Pignons / Piñones

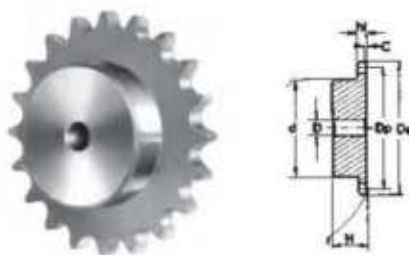
Pignoni per catene semplici,  
a rulli secondo: DIN 8187 -  
ISO/R 606

Sprockets for simplex, chain  
to: DIN 8187 - ISO/R 606

Kettenräder mit einseitiger  
Nabe für Simplex-Rollenkette  
nach: DIN 8187 - ISO/R 606

Pignons avec moyeu déporté  
pour chaînes simples, à  
rouleaux suivant les normes:  
DIN 8187 - ISO/R 606

Piñones para cadena simple,  
de rodillos según las normas:  
DIN 8187 - ISO/R 606



6 x 2,8 mm

04 - 1

CATENA	CHAIN	KETTE	CHAÎNE	CADENA	ISO mm
Passo	Pitch	Teilung	Pas	Paso	6,0
Larghezza interna	Internal width	Innere Breite	Largeur intérieure	Ancho interno	2,8
Rullo ø	Roller ø	Rollen ø	ø du rouleau	Rodillo ø	4,0

PIGNONE	SPROCKETS	KETTENRÄDER	PIGNONS	PIÑONES	ISO mm
Raggio dente r	Tooth radius r	Radius r	Rayon de denture r	Radio diente r	r 6,0
Larghezza raggio C	Radius width C	Breite C	Largeur de rayon C	Ancho radio C	C 0,7
Largh. dente h <sub>1</sub>	Tooth width h <sub>1</sub>	Zahnbreite h <sub>1</sub>	Larg. de denture h <sub>1</sub>	Ancho diente h <sub>1</sub>	h <sub>1</sub> 2,6
Largh. dente L	Tooth width L	Zahnbreite L	Larg. de denture L	Ancho diente L	L -
Largh. dente h <sub>2</sub>	Tooth width h <sub>2</sub>	Zahnbreite h <sub>2</sub>	Larg. de denture h <sub>2</sub>	Ancho diente h <sub>2</sub>	h <sub>2</sub> -
Largh. dente h <sub>3</sub>	Tooth width h <sub>3</sub>	Zahnbreite h <sub>3</sub>	Larg. de denture h <sub>3</sub>	Ancho diente h <sub>3</sub>	h <sub>3</sub> -
Altezza totale H	Full height H	Gesamt Höhe H	Hauteur totale H	Altura total H	H -

**Materiale C45E**  
**UNI EN 10083-1**

\*Tipi costruiti con mozzo saldato:  
materiale Fe

**Material C45E**  
**UNI EN 10083-1**

\*With welded hub:  
material Fe

**Werkstoff C45E**  
**UNI EN 10083-1**

\*Typen mit eingeschweisster  
Nabe: Werkstoff Fe

**Matière C45E**  
**UNI EN 10083-1**

\*Tipos avec moyeu soudé:  
matière Fe

**Material C45E**  
**UNI EN 10083-1**

\*Tipos con nucleo soldado:  
material Fe

Z	D <sub>e</sub>	D <sub>p</sub>	Simplex			
			cod.	d	D	H
8	18,0	15,67	PS 02008	9,8	5	10
9	19,9	17,54	PS 02009	11,5	5	10
10	21,7	19,42	PS 02010	13,0	6	10
11	23,6	21,30	PS 02011	14,0	6	10
12	25,4	23,18	PS 02012	16,0	6	10
13	27,3	25,05	PS 02013	18,0	8	10
14	29,2	26,96	PS 02014	20,0	8	10
15	31,1	28,86	PS 02015	20,0	8	10
16	33,0	30,76	PS 02016	20,0	8	13
17	35,0	32,65	PS 02017	20,0	8	13
18	36,9	34,55	PS 02018	20,0	8	13
19	38,8	36,44	PS 02019	20,0	8	13
20	40,7	38,34	PS 02020	20,0	8	13
21	42,6	40,25	PS 02021	25,0	8	13
22	44,5	42,16	PS 02022	25,0	8	13
23	46,4	44,06	PS 02023	25,0	8	13
24	48,3	45,96	PS 02024	25,0	8	13
25	50,2	47,87	PS 02025	25,0	8	13
26	52,1	49,77	PS 02026	30,0	8	15
27	54,0	51,67	PS 02027	30,0	8	15
28	55,9	53,58	PS 02028	30,0	8	15
29	57,8	55,50	PS 02029	30,0	8	15
30	59,8	57,42	PS 02030	30,0	8	15
31	61,7	59,31	PS 02031	30,0	8	15
32	63,6	61,21	PS 02032	30,0	8	15
33	65,5	63,11	PS 02033	30,0	8	15
34	67,4	65,02	PS 02034	30,0	8	15
35	69,3	66,93	PS 02035	30,0	8	15
36	71,2	68,84	PS 02036	30,0	8	15
37	73,1	70,75	PS 02037	30,0	8	15
38	75,0	72,66	PS 02038	30,0	8	15
39	76,9	74,56	PS 02039	30,0	8	15
40	78,9	76,47	PS 02040	30,0	8	15
45	88,5	86,01	PS 02045	40,0	10	18
50	98,0	95,55	PS 02050	50,0	12	20
57	111,4	108,93	PS 02057	50,0	12	20
60	117,1	114,62	PS 02060	62,0*	12	20
76	147,6	145,19	PS 02076	80,0*	16	34

# Pignoni / Sprockets Kettenräder mit Nabe / Pignons / Piñones

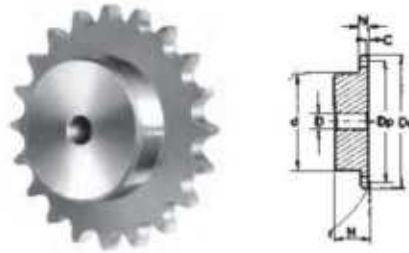
Pignoni per catene semplici, a rulli secondo: DIN 8188 - ISO/R 606 - ANSI B 29,1

Sprockets for simplex chain to: DIN 8188 - ISO/R 606 - ANSI B 29,1

Kettenräder mit einseitiger Nabe für Simplex-Rollenkette nach: DIN 8188 - ISO/R 606 - ANSI B 29,1

Pignons avec moyeu déporté pour chaînes simples à rouleaux suivant les normes: DIN 8188 - ISO/R 606 - ANSI B 29,1

Piñones para cadena simple de rodillos según las normas: DIN 8188 - ISO/R 606 - ANSI B 29,1



1/4" x 1/8"

ASA 25 - 1 6,32 x 3,18 mm

CATENA	CHAIN	KETTE	CHAÎNE	CADENA	ASA 25 mm
Passo	Pitch	Teilung	Pas	Paso	6,35
Larghezza interna	Internal width	Innere Breite	Largeur interieure	Ancho interno	3,18
Rullo $\phi$	Roller $\phi$	Rollen $\phi$	$\phi$ du rouleau	Rodillo $\phi$	3,30
PIGNONE	SPROCKETS	KETTENRÄDER	PIGNONS	PIÑONES	ASA 25 mm
Raggio dente r	Tooth radius r	Radius r	Rayon de denture r	Radio diente r	r 6,4
Larghezza raggio C	Radius width C	Breite C	Largeur de rayon C	Ancho radio C	C 0,7
Largh. dente $h_1$	Tooth width $h_1$	Zahnbreite $h_1$	Larg. de denture $h_1$	Ancho diente $h_1$	$h_1$ 2,9
Largh. dente L	Tooth width L	Zahnbreite L	Larg. de denture L	Ancho diente L	L -
Largh. dente $h_2$	Tooth width $h_2$	Zahnbreite $h_2$	Larg. de denture $h_2$	Ancho diente $h_2$	$h_2$ -
Largh. dente $h_3$	Tooth width $h_3$	Zahnbreite $h_3$	Larg. de denture $h_3$	Ancho diente $h_3$	$h_3$ -
Altezza totale H	Full height H	Gesamt Höhe H	Hauteur totale H	Altura total H	H -

Materiale C45E  
UNI EN 10083-1

Material C45E  
UNI EN 10083-1

Werkstoff C45E  
UNI EN 10083-1

Matière C45E  
UNI EN 10083-1

Material C45E  
UNI EN 10083-1

Z	D <sub>c</sub>	D <sub>p</sub>	Simplex			
			cod.	d	D	H
8	19,4	16,58	PS 03008	10,0	6	12
9	21,4	18,56	PS 03009	11,5	6	12
10	23,3	20,55	PS 03010	13,0	6	12
11	25,3	22,54	PS 03011	15,0	8	13
12	27,3	24,53	PS 03012	17,0	8	13
13	29,3	26,53	PS 03013	17,0	8	13
14	31,3	28,53	PS 03014	17,0	8	13
15	33,3	30,55	PS 03015	20,0	8	13
16	35,3	32,55	PS 03016	22,0	8	14
17	37,3	34,55	PS 03017	22,0	8	14
18	39,4	36,56	PS 03018	25,0	8	14
19	41,4	38,58	PS 03019	25,0	8	14
20	43,4	40,58	PS 03020	25,0	8	14
21	45,4	42,60	PS 03021	30,0	8	14
22	47,4	44,62	PS 03022	30,0	8	14
23	49,4	46,63	PS 03023	30,0	8	14
24	51,4	48,64	PS 03024	30,0	8	14
25	53,3	50,66	PS 03025	30,0	8	14
26	55,5	52,67	PS 03026	30,0	8	16
27	57,5	54,69	PS 03027	30,0	8	16
28	59,5	56,71	PS 03028	30,0	8	16
29	61,5	58,73	PS 03029	30,0	8	16
30	63,6	60,75	PS 03030	30,0	8	16
31	65,6	62,76	PS 03031	30,0	8	16
32	67,6	64,78	PS 03032	30,0	8	16
33	69,6	66,80	PS 03033	30,0	8	16
34	71,6	68,82	PS 03034	30,0	8	16
35	73,6	70,84	PS 03035	30,0	8	16
36	75,6	72,85	PS 03036	30,0	8	16
37	77,7	74,87	PS 03037	30,0	8	16
38	79,7	76,89	PS 03038	30,0	8	16
39	81,7	78,91	PS 03039	30,0	8	16
40	83,7	80,93	PS 03040	30,0	8	16

# Pignoni / Sprockets

## Kettenräder mit Nabe / Pignons / Piñones

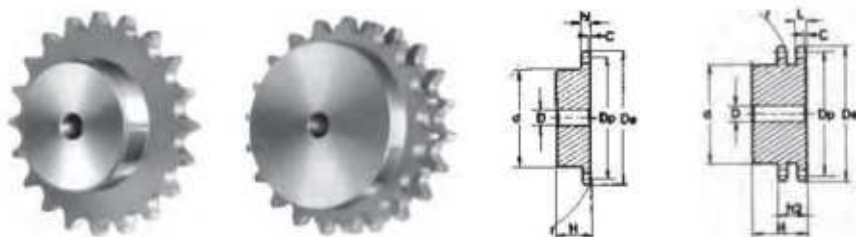
Pignoni per catene semplici e doppie a rulli secondo: DIN 8187 - ISO/R 606

Sprockets for simplex and duplex chain to: DIN 8187 - ISO/R 606

Kettenräder mit einseitiger Nabe für Simplex-Rollenkette Duplex-Rollenkette nach: DIN 8187 - ISO/R 606

Pignons avec moyeu déporté pour chaînes simples et doubles à rouleaux suivant les normes: DIN 8187 - ISO/R 606

Piñones para cadena simple y doble de rodillos según las normas: DIN 8187 - ISO/R 606



8 x 3,0 mm

05B - 1-2

CATENA	CHAIN	KETTE	CHAÎNE	CADENA	ISO mm
Passo	Pitch	Teilung	Pas	Paso	8,0
Larghezza interna	Internal width	Innere Breite	Largeur interieure	Ancho interno	3,0
Rullo ø	Roller ø	Rollen ø	ø du rouleau	Rodillo ø	5,0

PIGNONE	SPROCKETS	KETTENRÄDER	PIGNONS	PIÑONES	ISO mm
Raggio dente r	Tooth radius r	Radius r	Rayon de denture r	Radio diente r	r 8,0
Larghezza raggio C	Radius width C	Breite C	Largeur de rayon C	Ancho radio C	C 1,0
Largh. dente h <sub>1</sub>	Tooth width h <sub>1</sub>	Zahnbreite h <sub>1</sub>	Larg. de denture h <sub>1</sub>	Ancho diente h <sub>1</sub>	h <sub>1</sub> 2,8
Largh. dente L	Tooth width L	Zahnbreite L	Larg. de denture L	Ancho diente L	L 2,7
Largh. dente h <sub>2</sub>	Tooth width h <sub>2</sub>	Zahnbreite h <sub>2</sub>	Larg. de denture h <sub>2</sub>	Ancho diente h <sub>2</sub>	h <sub>2</sub> 8,3
Largh. dente h <sub>3</sub>	Tooth width h <sub>3</sub>	Zahnbreite h <sub>3</sub>	Larg. de denture h <sub>3</sub>	Ancho diente h <sub>3</sub>	h <sub>3</sub> -
Altezza totale H	Full height H	Gesamt Höhe H	Hauteur totale H	Altura total H	H -

**Materiale C45E**  
**UNI EN 10083-1**

\*Tipi costruiti con mozzo saldato: materiale Fe

**Material C45E**  
**UNI EN 10083-1**

\*With welded hub: material Fe

**Werkstoff C45E**  
**UNI EN 10083-1**

\*Typen mit eingeschweisster Nabe: Werkstoff Fe

**Matière C45E**  
**UNI EN 10083-1**

\*Types avec moyeu soudé: matière Fe

**Material C45E**  
**UNI EN 10083-1**

\*Tipos con nucleo soldado: material Fe

Z	D <sub>e</sub>	D <sub>p</sub>	Simplex				Duplex			
			cod.	d	D	H	cod.	d	D	H
8	24,0	20,90	PS 04008	13	6	12	PD 04008	12	8	18
9	26,6	23,39	PS 04009	15	6	12	PD 04009	15	8	18
10	29,2	25,89	PS 04010	17	8	12	PD 04010	17	8	18
11	31,7	28,39	PS 04011	18	8	13	PD 04011	19	10	18
12	34,2	30,91	PS 04012	20	8	13	PD 04012	21	10	18
13	36,7	33,42	PS 04013	23	8	13	PD 04013	24	10	18
14	39,2	35,95	PS 04014	25	8	13	PD 04014	26	10	18
15	41,7	38,48	PS 04015	28	8	13	PD 04015	29	10	18
16	44,3	41,01	PS 04016	30	8	14	PD 04016	32	10	20
17	46,8	43,53	PS 04017	30	8	14	PD 04017	34	10	20
18	49,3	46,07	PS 04018	30	8	14	PD 04018	37	10	20
19	51,9	48,61	PS 04019	30	8	14	PD 04019	39	10	20
20	54,4	51,14	PS 04020	30	8	14	PD 04020	40	10	20
21	57,0	53,67	PS 04021	35	8	14	PD 04021	40	10	20
22	59,5	56,21	PS 04022	35	8	14	PD 04022	40	10	20
23	62,0	58,75	PS 04023	35	8	14	PD 04023	40	10	20
24	64,6	61,29	PS 04024	35	8	14	PD 04024	40	10	20
25	67,5	63,83	PS 04025	35	8	14	PD 04025	40	10	20
26	69,5	66,37	PS 04026	40	10	16	PD 04026	50	12	22
27	72,2	68,91	PS 04027	40	10	16	PD 04027	50	12	22
28	74,8	71,45	PS 04028	40	10	16	PD 04028	50	12	22
29	77,3	73,99	PS 04029	40	10	16	PD 04029	50	12	22
30	79,8	76,53	PS 04030	40	10	16	PD 04030	50	12	22
31	82,4	79,08	PS 04031	40	10	16	PD 04031	60	12	22
32	84,9	81,61	PS 04032	40	10	16	PD 04032	60	12	22
33	87,5	84,16	PS 04033	40	10	16	PD 04033	60	12	22
34	90,0	86,70	PS 04034	40	10	16	PD 04034	60	12	22
35	92,5	89,24	PS 04035	40	10	16	PD 04035	60	12	22
36	95,0	91,79	PS 04036	40	10	16	PD 04036	60	12	22
37	97,6	94,33	PS 04037	40	10	16	PD 04037	60	12	22
38	100,2	96,88	PS 04038	40	10	16	PD 04038	60	12	22
39	102,7	99,42	PS 04039	40	10	16	PD 04039	60	12	22
40	105,2	101,97	PS 04040	40	10	16	PD 04040	60	12	22
45	118,0	114,69	PS 04045	60	12	20				
48	125,6	122,32	PS 04048	62*	12	20				
50	130,7	127,41	PS 04050	62*	12	20				
57	148,6	145,22	PS 04057	80*	14	20				
60	156,2	152,85	PS 04060	80*	16	34				
76	197,7	193,59	PS 04076	80*	20	34				



# Pignoni / Sprockets

## Kettenräder mit Nabe / Pignons / Piñones

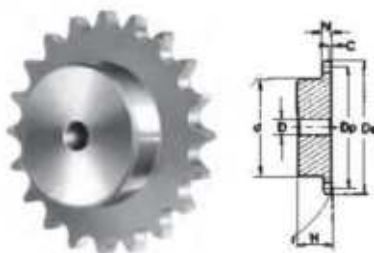
Pignoni per catene semplici,  
a rulli secondo: DIN 8187 -  
ISO/R 606

Sprockets for simplex chain  
to: DIN 8187 - ISO/R 606

Kettenräder mit einseitiger  
Nabe für Simplex-Rollenkette  
nach: DIN 8187 - ISO/R 606

Pignons avec moyeu déporté  
pour chaînes simples à  
rouleaux suivant les normes:  
DIN 8187 - ISO/R 606

Piñones para cadena simple  
de rodillos según las normas:  
DIN 8187 - ISO/R 606



1/2" x 1/8"

081-1 12,7 x 3,33 mm

CATENA	CHAIN	KETTE	CHAÎNE	CADENA	ISO mm
Passo	Pitch	Teilung	Pas	Paso	12,70
Larghezza interna	Internal width	Innere Breite	Largeur interieure	Ancho interno	3,30
Rullo ø	Roller ø	Rollen ø	ø du rouleau	Rodillo ø	7,75

PIGNONE	SPROCKETS	KETTENRÄDER	PIGNONS	PIÑONES	ISO mm
Raggio dente r	Tooth radius r	Radius r	Rayon de denture r	Radio diente r	r 13,0
Larghezza raggio C	Radius width C	Breite C	Largeur de rayon C	Ancho radio C	C 1,0
Largh. dente h <sub>1</sub>	Tooth width h <sub>1</sub>	Zahnbreite h <sub>1</sub>	Larg. de denture h <sub>1</sub>	Ancho diente h <sub>1</sub>	h <sub>1</sub> 3,0
Largh. dente L	Tooth width L	Zahnbreite L	Larg. de denture L	Ancho diente L	L -
Largh. dente h <sub>2</sub>	Tooth width h <sub>2</sub>	Zahnbreite h <sub>2</sub>	Larg. de denture h <sub>2</sub>	Ancho diente h <sub>2</sub>	h <sub>2</sub> -
Largh. dente h <sub>3</sub>	Tooth width h <sub>3</sub>	Zahnbreite h <sub>3</sub>	Larg. de denture h <sub>3</sub>	Ancho diente h <sub>3</sub>	h <sub>3</sub> -
Altezza totale H	Full height H	Gesamt Höhe H	Hauteur totale H	Altura total H	H -

Materiale C45E  
UNI EN 10083-1

Material C45E  
UNI EN 10083-1

Werkstoff C45E  
UNI EN 10083-1

Matière C45E  
UNI EN 10083-1

Material C45E  
UNI EN 10083-1

Z	D <sub>s</sub>	D <sub>p</sub>	Simplex			
			cod.	d	D	H
8	37,2	33,18	PS 06008	21	8	14
9	41,5	37,13	PS 06009	25	8	14
10	46,2	41,10	PS 06010	28	8	14
11	49,6	45,07	PS 06011	31	8	16
12	53,9	49,07	PS 06012	35	8	16
13	58,4	53,06	PS 06013	39	8	16
14	62,8	57,07	PS 06014	43	8	16
15	66,8	61,09	PS 06015	47	8	16
16	70,9	65,10	PS 06016	50	10	18
17	74,9	69,11	PS 06017	50	10	18
18	78,9	73,14	PS 06018	50	10	18
19	82,9	77,16	PS 06019	50	10	18
20	86,9	81,19	PS 06020	50	10	18
21	91,0	85,22	PS 06021	60	12	20
22	95,0	89,24	PS 06022	60	12	20
23	99,0	93,27	PS 06023	60	12	20
24	103,0	97,29	PS 06024	60	12	20
25	107,1	101,33	PS 06025	60	12	20
26	111,2	105,36	PS 06026	70	16	20
27	115,4	109,40	PS 06027	70	16	20
28	119,4	113,42	PS 06028	70	16	20
29	123,4	117,46	PS 06029	70	16	20
30	127,5	121,50	PS 06030	70	16	20
31	131,5	125,54	PS 06031	70	16	20
32	135,5	129,56	PS 06032	70	16	20
33	139,6	133,60	PS 06033	70	16	20
34	143,6	137,64	PS 06034	70	16	20
35	147,6	141,68	PS 06035	70	16	20
36	151,7	145,72	PS 06036	70	16	25
37	155,7	149,76	PS 06037	70	16	25
38	159,8	153,80	PS 06038	70	16	25
39	163,8	157,83	PS 06039	70	16	25
40	167,8	161,87	PS 06040	70	16	25

## Pignoni / Sprockets Kettenräder mit Nabe / Pignons / Piñones

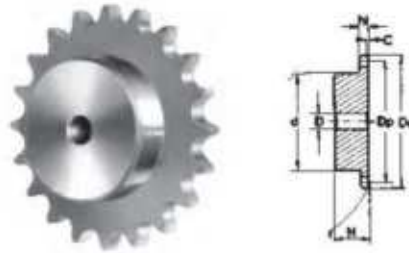
Pignoni per catene semplici,  
a rulli secondo: DIN 8187 -  
ISO/R 606

Sprockets for simplex chain  
to: DIN 8187 - ISO/R 606

Kettenräder mit einseitiger  
Nabe für Simplex-Rollenkette  
nach: DIN 8187 - ISO/R 606

Pignons avec moyeu déporté  
pour chaînes simples à rouleaux  
suivant les normes: DIN 8187 -  
ISO/R 606

Piñones para cadena simple  
de rodillos según las normas:  
DIN 8187 - ISO/R 606



**1/2" x 3/16"**

**083-1/084-1 12,7 x 4,88 mm**

CATENA	CHAIN	KETTE	CHAÎNE	CADENA	ISO mm
Passo	Pitch	Teilung	Pas	Paso	12,70
Larghezza interna	Internal width	Innere Breite	Largeur interieure	Ancho interno	4,88
Rullo ø	Roller ø	Rollen ø	ø du rouleau	Rodillo ø	7,75

PIGNONE	SPROCKETS	KETTENRÄDER	PIGNONS	PIÑONES	ISO mm
Raggio dente r	Tooth radius r	Radius r	Rayon de denture r	Radio diente r	r 13,0
Larghezza raggio C	Radius width C	Breite C	Largeur de rayon C	Ancho radio C	C 1,3
Largh. dente h <sub>1</sub>	Tooth width h <sub>1</sub>	Zahnbreite h <sub>1</sub>	Larg. de denture h <sub>1</sub>	Ancho diente h <sub>1</sub>	h <sub>1</sub> 4,5
Largh. dente L	Tooth width L	Zahnbreite L	Larg. de denture L	Ancho diente L	L -
Largh. dente h <sub>2</sub>	Tooth width h <sub>2</sub>	Zahnbreite h <sub>2</sub>	Larg. de denture h <sub>2</sub>	Ancho diente h <sub>2</sub>	h <sub>2</sub> -
Largh. dente h <sub>3</sub>	Tooth width h <sub>3</sub>	Zahnbreite h <sub>3</sub>	Larg. de denture h <sub>3</sub>	Ancho diente h <sub>3</sub>	h <sub>3</sub> -
Altezza totale H	Full height H	Gesamt Höhe H	Hauteur totale H	Altura total H	H -

**Materiale C45E  
UNI EN 10083-1**

**Material C45E  
UNI EN 10083-1**

**Werkstoff C45E  
UNI EN 10083-1**

**Matière C45E  
UNI EN 10083-1**

**Material C45E  
UNI EN 10083-1**

Z	D <sub>e</sub>	D <sub>p</sub>	Simplex			
			cod.	d	D	H
8	38,5	33,18	PS 07008	21	8	14
9	41,5	37,13	PS 07009	25	8	14
10	46,2	41,10	PS 07010	28	8	14
11	49,6	45,07	PS 07011	31	8	16
12	53,9	49,07	PS 07012	35	8	16
13	58,4	53,06	PS 07013	39	8	16
14	62,8	57,07	PS 07014	43	8	16
15	66,8	61,09	PS 07015	47	8	16
16	70,9	65,10	PS 07016	50	10	18
17	74,9	69,11	PS 07017	50	10	18
18	78,9	73,14	PS 07018	50	10	18
19	82,9	77,16	PS 07019	50	10	18
20	86,9	81,19	PS 07020	50	10	18
21	91,0	85,22	PS 07021	60	12	20
22	95,0	89,24	PS 07022	60	12	20
23	99,0	93,27	PS 07023	60	12	20
24	103,0	97,29	PS 07024	60	12	20
25	107,1	101,33	PS 07025	60	12	20
26	111,2	105,36	PS 07026	70	16	20
27	115,4	109,40	PS 07027	70	16	20
28	119,4	113,42	PS 07028	70	16	20
29	123,4	117,46	PS 07029	70	16	20
30	127,5	121,50	PS 07030	70	16	20
31	131,5	125,54	PS 07031	70	16	20
32	135,5	129,56	PS 07032	70	16	20
33	139,6	133,60	PS 07033	70	16	20
34	143,6	137,64	PS 07034	70	16	20
35	147,6	141,68	PS 07035	70	16	20
36	151,7	145,72	PS 07036	70	16	25
37	155,7	149,76	PS 07037	70	16	25
38	159,8	153,80	PS 07038	70	16	25
39	163,8	157,83	PS 07039	70	16	25
40	167,8	161,87	PS 07040	70	16	25

# Pignoni / Sprockets

## Kettenräder mit Nabe / Pignons / Piñones

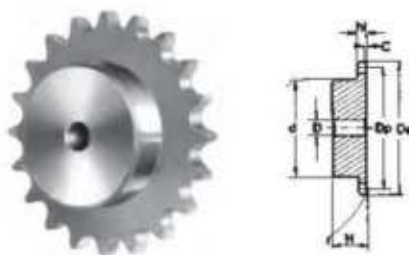
Pignoni per catene semplici,  
a rulli secondo: DIN 8187 -  
ISO/R 606

Sprockets for simplex chain  
to: DIN 8187 - ISO/R 606

Kettenräder mit einseitiger  
Nabe für Simplex-Rollenkette  
nach: DIN 8187 - ISO/R 606

Pignons avec moyeu déporté  
pour chaînes simples à rouleaux  
suivant les normes: DIN 8187 -  
ISO/R 606

Piñones para cadena simple  
de rodillos según las normas:  
DIN 8187 - ISO/R 606



1/2" x 1/4"

085-1 12,7 x 6,4 x 7,75 mm

CATENA	CHAIN	KETTE	CHAÎNE	CADENA	ISO mm
Passo	Pitch	Teilung	Pas	Paso	12,70
Larghezza interna	Internal width	Innere Breite	Largeur interieure	Ancho interno	6,40
Rullo ø	Roller ø	Rollen ø	ø du rouleau	Rodillo ø	7,75

PIGNONE	SPROCKETS	KETTENRÄDER	PIGNONS	PIÑONES	ISO mm
Raggio dente r	Tooth radius r	Radius r	Rayon de denture r	Radio diente r	r 13,0
Larghezza raggio C	Radius width C	Breite C	Largeur de rayon C	Ancho radio C	C 1,3
Largh. dente h <sub>1</sub>	Tooth width h <sub>1</sub>	Zahnbreite h <sub>1</sub>	Larg. de denture h <sub>1</sub>	Ancho diente h <sub>1</sub>	h <sub>1</sub> 5,9
Largh. dente L	Tooth width L	Zahnbreite L	Larg. de denture L	Ancho diente L	L -
Largh. dente h <sub>2</sub>	Tooth width h <sub>2</sub>	Zahnbreite h <sub>2</sub>	Larg. de denture h <sub>2</sub>	Ancho diente h <sub>2</sub>	h <sub>2</sub> -
Largh. dente h <sub>3</sub>	Tooth width h <sub>3</sub>	Zahnbreite h <sub>3</sub>	Larg. de denture h <sub>3</sub>	Ancho diente h <sub>3</sub>	h <sub>3</sub> -
Altezza totale H	Full height H	Gesamt Höhe H	Hauteur totale H	Altura total H	H -

Materiale C45E  
UNI EN 10083-1

Material C45E  
UNI EN 10083-1

Werkstoff C45E  
UNI EN 10083-1

Matière C45E  
UNI EN 10083-1

Material C45E  
UNI EN 10083-1

Z	D <sub>e</sub>	D <sub>p</sub>	Simplex			
			cod.	d	D	H
8	38,5	33,18	PS 08008	20	10	25
9	41,5	37,13	PS 08009	24	10	25
10	46,2	41,10	PS 08010	26	10	25
11	49,6	45,07	PS 08011	29	10	25
12	53,9	49,07	PS 08012	33	10	28
13	58,4	53,06	PS 08013	37	10	28
14	62,8	57,07	PS 08014	41	10	28
15	66,8	61,09	PS 08015	45	10	28
16	70,9	65,10	PS 08016	50	12	28
17	74,9	69,11	PS 08017	52	12	28
18	78,9	73,14	PS 08018	56	12	28
19	82,9	77,16	PS 08019	60	12	28
20	86,9	81,19	PS 08020	64	12	28
21	91,0	85,22	PS 08021	68	14	28
22	95,0	89,24	PS 08022	70	14	28
23	99,0	93,27	PS 08023	70	14	28
24	103,0	97,29	PS 08024	70	14	28
25	107,1	101,33	PS 08025	70	14	28
26	111,2	105,36	PS 08026	70	16	30
27	115,4	109,40	PS 08027	70	16	30
28	119,4	113,42	PS 08028	70	16	30
29	123,4	117,46	PS 08029	80	16	30
30	127,5	121,50	PS 08030	80	16	30
31	131,5	125,54	PS 08031	90	16	30
32	135,5	129,56	PS 08032	90	16	30
33	139,6	133,60	PS 08033	90	16	30
34	143,6	137,64	PS 08034	90	16	30
35	147,6	141,68	PS 08035	90	16	30
36	151,7	145,72	PS 08036	90	16	35
37	155,7	149,76	PS 08037	90	16	35
38	159,8	153,80	PS 08038	90	16	35
39	163,8	157,83	PS 08039	90	16	35
40	167,8	161,87	PS 08040	90	16	35
45	187,5	182,07	PS 08045	90	16	40



## Pignoni / Sprockets Kettenräder mit Nabe / Pignons / Piñones

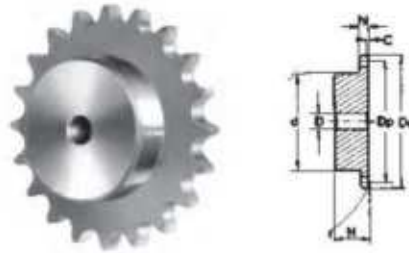
Pignoni per catene semplici,  
a rulli secondo: DIN 8187 -  
ISO/R 606

Sprockets for simplex chain  
to: DIN 8187 - ISO/R 606

Kettenräder mit einseitiger  
Nabe für Simplex-Rollenkette  
nach: DIN 8187 - ISO/R 606

Pignons avec moyeu déporté  
pour chaînes simples à rouleaux  
suivant les normes: DIN 8187 -  
ISO/R 606

Piñones para cadena simple  
de rodillos según las normas:  
DIN 8187 - ISO/R 606



**1/2" x 1/4"**

**085-1 12,7 x 6,4 x 8,51 mm**

CATENA	CHAIN	KETTE	CHAÎNE	CADENA	ISO mm
Passo	Pitch	Teilung	Pas	Paso	12,70
Larghezza interna	Internal width	Innere Breite	Largeur interieure	Ancho interno	6,40
Rullo ø	Roller ø	Rollen ø	ø du rouleau	Rodillo ø	8,51

PIGNONE	SPROCKETS	KETTENRÄDER	PIGNONS	PIÑONES	ISO mm
Raggio dente r	Tooth radius r	Radius r	Rayon de denture r	Radio diente r	r 13,0
Larghezza raggio C	Radius width C	Breite C	Largeur de rayon C	Ancho radio C	C 1,3
Largh. dente h <sub>1</sub>	Tooth width h <sub>1</sub>	Zahnbreite h <sub>1</sub>	Larg. de denture h <sub>1</sub>	Ancho diente h <sub>1</sub>	h <sub>1</sub> 5,9
Largh. dente L	Tooth width L	Zahnbreite L	Larg. de denture L	Ancho diente L	L -
Largh. dente h <sub>2</sub>	Tooth width h <sub>2</sub>	Zahnbreite h <sub>2</sub>	Larg. de denture h <sub>2</sub>	Ancho diente h <sub>2</sub>	h <sub>2</sub> -
Largh. dente h <sub>3</sub>	Tooth width h <sub>3</sub>	Zahnbreite h <sub>3</sub>	Larg. de denture h <sub>3</sub>	Ancho diente h <sub>3</sub>	h <sub>3</sub> -
Altezza totale H	Full height H	Gesamt Höhe H	Hauteur totale H	Altura total H	H -

Materiale C45E UNI EN 10083-1	Material C45E UNI EN 10083-1	Werkstoff C45E UNI EN 10083-1	Matière C45E UNI EN 10083-1	Material C45E UNI EN 10083-1		
Z	D <sub>s</sub>	D <sub>p</sub>	Simplex			
			cod.	d	D	H
8	37,2	33,18	PS 17008	20	10	25
9	41,0	37,13	PS 17009	24	10	25
10	45,2	41,10	PS 17010	26	10	25
11	48,7	45,07	PS 17011	29	10	25
12	53,0	49,07	PS 17012	33	10	28
13	57,4	53,06	PS 17013	37	10	28
14	61,8	57,07	PS 17014	41	10	28
15	65,5	61,09	PS 17015	45	10	28
16	69,5	65,10	PS 17016	50	12	28
17	73,6	69,11	PS 17017	52	12	28
18	77,8	73,14	PS 17018	56	12	28
19	81,7	77,16	PS 17019	60	12	28
20	85,8	81,19	PS 17020	64	12	28
21	89,7	85,22	PS 17021	68	14	28
22	93,8	89,24	PS 17022	70	14	28
23	98,2	93,27	PS 17023	70	14	28
24	101,8	97,29	PS 17024	70	14	28
25	105,8	101,33	PS 17025	70	14	28
26	110,0	105,36	PS 17026	70	16	30
27	114,0	109,40	PS 17027	70	16	30
28	118,0	113,42	PS 17028	70	16	30
29	122,0	117,46	PS 17029	80	16	30
30	126,1	121,50	PS 17030	80	16	30
31	130,2	125,54	PS 17031	90	16	30
32	134,3	129,56	PS 17032	90	16	30
33	138,4	133,60	PS 17033	90	16	30
34	142,6	137,64	PS 17034	90	16	30
35	146,7	141,68	PS 17035	90	16	30
36	151,0	145,72	PS 17036	90	16	35
37	154,6	149,76	PS 17037	90	16	35
38	158,6	153,80	PS 17038	90	16	35
39	162,7	157,83	PS 17039	90	16	35
40	166,8	161,87	PS 17040	90	16	35













# Pignoni / Sprockets

## Kettenräder mit Nabe / Pignons / Piñones

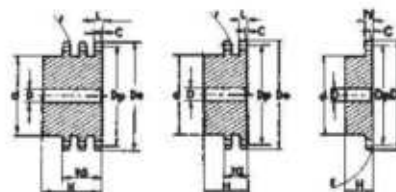
Pignoni per catene semplici, doppie e triple a rulli secondo: DIN 8187 - ISO/R 606

Sprockets for simplex, duplex and triplex chain to: DIN 8187 - ISO/R 606

Kettenräder mit einseitiger Nabe für Simplex- Duplex- Triplex-Rollenkette nach: DIN 8187 - ISO/R 606

Pignons avec moyeu déporté pour chaînes simples, doubles et triples à rouleaux suivant les normes: DIN 8187 - ISO/R 606

Piñones para cadena simple, doble y triple de rodillos según las normas: DIN 8187 - ISO/R 606



1"3/4 x 1"1/4

28B - 1-2-3 44,45 x 30,99 mm

CATENA	CHAIN	KETTE	CHAÎNE	CADENA	ISO mm
Passo	Pitch	Teilung	Pas	Paso	44,45
Larghezza interna	Internal width	Innere Breite	Largeur interieure	Ancho interno	30,99
Rullo ø	Roller ø	Rollen ø	ø du rouleau	Rodillo ø	27,94
PIGNONE	SPROCKETS	KETTENRÄDER	PIGNONS	PIÑONES	ISO mm
Raggio dente r	Tooth radius r	Radius r	Rayon de denture r	Radio diente r	r 44,0
Larghezza raggio C	Radius width C	Breite C	Largeur de rayon C	Ancho radio C	C 5,0
Largh. dente h <sub>1</sub>	Tooth width h <sub>1</sub>	Zahnbreite h <sub>1</sub>	Larg. de denture h <sub>1</sub>	Ancho diente h <sub>1</sub>	h <sub>1</sub> 29,4
Largh. dente L	Tooth width L	Zahnbreite L	Larg. de denture L	Ancho diente L	L 28,8
Largh. dente h <sub>2</sub>	Tooth width h <sub>2</sub>	Zahnbreite h <sub>2</sub>	Larg. de denture h <sub>2</sub>	Ancho diente h <sub>2</sub>	h <sub>2</sub> 88,4
Largh. dente h <sub>3</sub>	Tooth width h <sub>3</sub>	Zahnbreite h <sub>3</sub>	Larg. de denture h <sub>3</sub>	Ancho diente h <sub>3</sub>	h <sub>3</sub> 148,0
Altezza totale H	Full height H	Gesamt Höhe H	Hauteur totale H	Altura total H	H -

**Materiale C45E**  
**UNI EN 10083-1**

\*Tipi costruiti con mozzo saldato: materiale Fe

**Material C45E**  
**UNI EN 10083-1**

\*With welded hub: material Fe

**Werkstoff C45E**  
**UNI EN 10083-1**

\*Typen mit eingeschweisster Nabe: Werkstoff Fe

**Matière C45E**  
**UNI EN 10083-1**

\*Types avec moyeu soudé: matière Fe

**Material C45E**  
**UNI EN 10083-1**

\*Tipos con nucleo soldado: material Fe

Z	D <sub>e</sub>	D <sub>p</sub>	Simplex				Duplex				Triplex			
			cod.	d	D	H	cod.	d	D	H	cod.	d	D	H
8	132,0	116,15	PS 15008	74	25	70	PD 15008	74	25	120	PT 15008	74	30	180
9	148,4	129,96	PS 15009	88	25	70	PD 15009	88	25	120	PT 15009	88	30	180
10	162,3	143,85	PS 15010	100	25	70	PD 15010	100	25	120	PT 15010	100	30	180
11	176,3	157,77	PS 15011	112	25	70	PD 15011	112	25	120	PT 15011	112	30	180
12	189,3	171,74	PS 15012	125	25	70	PD 15012	125	25	120	PT 15012	125	30	180
13	204,2	185,75	PS 15013	130*	25	70	PD 15013	130*	25	120	PT 15013	130*	30	180
14	218,2	199,76	PS 15014	130*	25	70	PD 15014	130*	25	120	PT 15014	130*	30	180
15	232,3	213,79	PS 15015	145*	25	70	PD 15015	145*	30	120	PT 15015	145*	30	180
16	246,3	227,84	PS 15016	160*	30	75	PD 15016	160*	30	120	PT 15016	160*	30	180
17	260,0	241,90	PS 15017	160*	30	75	PD 15017	160*	30	120	PT 15017	160*	30	180
18	274,0	255,98	PS 15018	160*	30	75	PD 15018	160*	30	120	PT 15018	160*	30	180
19	289,0	270,06	PS 15019	160*	30	75	PD 15019	180*	30	120	PT 15019	180*	30	180
20	303,0	284,15	PS 15020	160*	30	75	PD 15020	180*	30	120	PT 15020	180*	30	180
21	317,0	298,24	PS 15021	170*	30	75	PD 15021	180*	30	120	PT 15021	180*	30	180
22	331,0	312,34	PS 15022	170*	30	75	PD 15022	180*	30	120	PT 15022	180*	30	180
23	345,0	326,44	PS 15023	170*	30	75	PD 15023	180*	30	120	PT 15023	180*	30	180
24	359,0	340,55	PS 15024	170*	30	75	PD 15024	180*	30	120	PT 15024	180*	30	180
25	373,0	354,66	PS 15025	170*	30	75	PD 15025	180*	30	120	PT 15025	180*	40	180
26	387,0	368,77	PS 15026	170*	30	75	PD 15026	180*	30	120	PT 15026	180*	40	180
27	401,0	382,88	PS 15027	170*	30	75	PD 15027	180*	30	120	PT 15027	180*	40	180
28	416,0	397,00	PS 15028	170*	30	75	PD 15028	180*	30	120	PT 15028	180*	40	180
29	430,0	411,12	PS 15029	170*	30	75	PD 15029	180*	30	120	PT 15029	180*	40	180
30	444,0	425,24	PS 15030	170*	30	75	PD 15030	180*	30	120	PT 15030	180*	40	180
31	458,0	439,37	PS 15031	180*	30	75	PD 15031	200*	30	120	PT 15031	200*	40	180
32	472,0	453,49	PS 15032	180*	30	75	PD 15032	200*	30	120	PT 15032	200*	40	180
33	486,0	467,62	PS 15033	180*	30	75	PD 15033	200*	30	120	PT 15033	200*	40	180
34	500,0	481,75	PS 15034	180*	30	75	PD 15034	200*	30	120	PT 15034	200*	40	180
35	514,0	495,88	PS 15035	180*	30	75	PD 15035	200*	30	120	PT 15035	200*	40	180
36	529,0	510,01	PS 15036	180*	30	75	PD 15036	200*	30	120	PT 15036	200*	40	180
37	543,0	524,13	PS 15037	180*	30	75	PD 15037	200*	30	120	PT 15037	200*	40	180
38	557,0	538,27	PS 15038	180*	30	75	PD 15038	200*	30	120	PT 15038	200*	40	180
39	571,0	552,40	PS 15039	180*	30	75	PD 15039	200*	30	120	PT 15039	200*	40	180
40	585,0	566,54	PS 15040	180*	30	75	PD 15040	200*	30	120	PT 15040	200*	40	180
45	656,0	637,22	PS15045	180*	30	75	PD 15045	200*	40	150	PT15045	200*	40	209
50	726,0	707,91	PS15050	180*	30	75	PD 15050	200*	40	150				
57	825,0	806,90	PS15057	180*	40	123	PD 15057	200*	40	150	PT15057	200*	40	209
60	869,0	849,32	PS15060	180*	40	123								
76	1095,0	1075,62	PS15076	180*	40	123	PD 15076	200*	40	150	PT15076	238*	40	217



# Pignoni / Sprockets

## Kettenräder mit Nabe / Pignons / Piñones

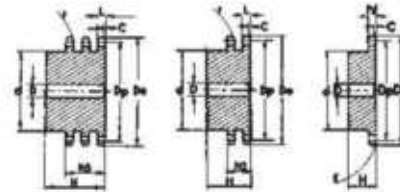
Pignoni per catene semplici, doppie e triple a rulli secondo: DIN 8187 - ISO/R 606

Sprockets for simplex, duplex and triplex chain to: DIN 8187 - ISO/R 606

Kettenräder mit einseitiger Nabe für Simplex- Duplex- Triplex-Rollenkette nach: DIN 8187 - ISO/R 606

Pignons avec moyeu déporté pour chaînes simples, doubles et triples à rouleaux suivant les normes: DIN 8187 - ISO/R 606

Piñones para cadena simple, doble y triple de rodillos según las normas: DIN 8187 - ISO/R 606



2" x 1 1/4

32B - 1-2-3 50,8 x 30,99 mm

CATENA	CHAIN	KETTE	CHAÎNE	CADENA	ISO mm
Passo	Pitch	Teilung	Pas	Paso	50,80
Larghezza interna	Internal width	Innere Breite	Largeur interieure	Ancho interno	30,99
Rullo ø	Roller ø	Rollen ø	ø du rouleau	Rodillo ø	29,21
PIGNONE	SPROCKETS	KETTENRÄDER	PIGNONS	PIÑONES	ISO mm
Raggio dente r	Tooth radius r	Radius r	Rayon de denture r	Radio diente r	r 51,0
Larghezza raggio C	Radius width C	Breite C	Largeur de rayon C	Ancho radio C	C 6,0
Largh. dente h <sub>1</sub>	Tooth width h <sub>1</sub>	Zahnbreite h <sub>1</sub>	Larg. de denture h <sub>1</sub>	Ancho diente h <sub>1</sub>	h <sub>1</sub> 29,4
Largh. dente L	Tooth width L	Zahnbreite L	Larg. de denture L	Ancho diente L	L 28,8
Largh. dente h <sub>2</sub>	Tooth width h <sub>2</sub>	Zahnbreite h <sub>2</sub>	Larg. de denture h <sub>2</sub>	Ancho diente h <sub>2</sub>	h <sub>2</sub> 87,4
Largh. dente h <sub>3</sub>	Tooth width h <sub>3</sub>	Zahnbreite h <sub>3</sub>	Larg. de denture h <sub>3</sub>	Ancho diente h <sub>3</sub>	h <sub>3</sub> 146,0
Altezza totale H	Full height H	Gesamt Höhe H	Hauteur totale H	Altura total H	H -

**Materiale C45E**  
**UNI EN 10083-1**

\*Tipi costruiti con mozzo saldato: materiale Fe

**Material C45E**  
**UNI EN 10083-1**

\*With welded hub: material Fe

**Werkstoff C45E**  
**UNI EN 10083-1**

\*Typen mit eingeschweisster Nabe: Werkstoff Fe

**Matière C45E**  
**UNI EN 10083-1**

\*Tipos avec moyeu soudé: matière Fe

**Material C45E**  
**UNI EN 10083-1**

\*Tipos con nucleo soldado: material Fe

Z	D <sub>e</sub>	D <sub>p</sub>	Simplex				Duplex				Triplex			
			cod.	d	D	H	cod.	d	D	H	cod.	d	D	H
8	153,2	132,74	PS 16008	82	25	80	PD 16008	82	30	120	PT 16008	82	30	180
9	169,0	148,54	PS 16009	88	25	80	PD 16009	88	30	120	PT 16009	88	30	180
10	185,0	164,39	PS 16010	104	25	80	PD 16010	104	30	120	PT 16010	104	30	180
11	200,8	180,31	PS 16011	120	30	80	PD 16011	120	30	120	PT 16011	120	30	180
12	216,8	196,29	PS 16012	133*	30	80	PD 16012	133*	30	120	PT 16012	133*	30	180
13	232,8	212,29	PS 16013	145*	30	80	PD 16013	145*	30	120	PT 16013	145*	30	180
14	248,8	228,29	PS 16014	160*	30	80	PD 16014	160*	30	120	PT 16014	160*	30	180
15	264,8	244,30	PS 16015	160*	30	80	PD 16015	160*	30	120	PT 16015	160*	30	180
16	280,9	260,40	PS 16016	160*	30	90	PD 16016	160*	30	120	PT 16016	160*	30	180
17	296,9	276,46	PS 16017	170*	30	90	PD 16017	180*	30	120	PT 16017	180*	30	180
18	313,0	292,55	PS 16018	170*	30	90	PD 16018	180*	30	120	PT 16018	180*	30	180
19	329,1	308,66	PS 16019	170*	30	90	PD 16019	200*	30	120	PT 16019	200*	30	180
20	345,2	324,71	PS 16020	180*	30	90	PD 16020	200*	30	120	PT 16020	200*	30	180
21	361,3	340,82	PS 16021	180*	30	90	PD 16021	200*	30	120	PT 16021	200*	40	180
22	377,5	356,98	PS 16022	180*	30	90	PD 16022	200*	30	120	PT 16022	200*	40	180
23	393,6	373,08	PS 16023	180*	30	90	PD 16023	200*	30	120	PT 16023	200*	40	180
24	409,7	389,18	PS 16024	180*	30	90	PD 16024	200*	30	120	PT 16024	200*	40	180
25	425,8	405,33	PS 16025	180*	30	90	PD 16025	200*	30	120	PT 16025	200*	40	180
26	441,9	421,44	PS 16026	180*	30	90	PD 16026	200*	30	120	PT 16026	200*	40	180
27	458,1	437,59	PS 16027	180*	30	90	PD 16027	200*	30	120	PT 16027	200*	40	180
28	474,2	453,69	PS 16028	180*	30	90	PD 16028	200*	30	120	PT 16028	200*	40	180
29	492,0	469,85	PS 16029	180*	30	90								
30	506,5	486,00	PS 16030	180*	30	90	PD 16030	200*	30	120	PT 16030	200*	40	180
32	538,8	518,27	PS 16032	180*	30	90								
35	589,5	566,71	PS 16035	180*	30	90								
38	635,5	615,16	PS 16038	180*	30	90								
40	670,3	647,47	PS 16040	180*	30	90								
45	751,0	728,24	PS16045	218*	40	123	PD 16045	220*	40	148	PT 16045	220*	40	207
50	831,8	809,04	PS16050	218*	40	123	PD 16050	220*	40	148	PT 16050	220*	40	207
57	945,0	922,16	PS16057	218*	40	123	PD 16057	220*	40	148	PT 16057	220*	40	207
60	993,4	970,65	PS16060	218*	40	123								
76	1252,0	1229,27	PS16076	218*	40	123	PD 16076	220*	40	148	PT 16076	238*	40	216

## Pignoni temperati ad induzione sui denti (45 ÷ 55 HRC)

## Sprockets with hardened teeth (45 ÷ 55 HRC)

## Kettenräder mit ind. gehärteter Verzahnung (45 ÷ 55 HRC)

## Pignons avec denture trempee haute frequence (45 ÷ 55 HRC)

## Piñones templados por inducción en los dientes (45 ÷ 55 HRC)

I valori C-h1-h2-L-r sono da ricavare dalle pagg. 52, 57, 58, 59, 60, 61

See page no. 52, 57, 58, 59, 60, 61 for C-h1-h2-L-r dimensions

Siehe Seite Nr. 52, 57, 58, 59, 60, 61 fuer C-h1-h2-L-r Abmessungen

Voir page no. 52, 57, 58, 59, 60, 61 pour les dimensions C-h1-h2-L-r

Valor C-h1-h2-L-r se deben obtener de las paginas 52, 57, 58, 59, 60, 61

### Materiale C45E UNI EN 10083-1

\*Tipi costruiti con mozzo saldato: materiale Fe

### Material C45E UNI EN 10083-1

\*With welded hub: material Fe

### Werkstoff C45E UNI EN 10083-1

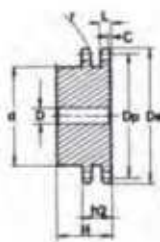
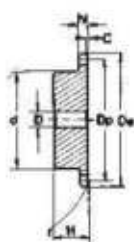
\*Typen mit eingeschweisster Nabe: Werkstoff Fe

### Matière C45E UNI EN 10083-1

\*Types avec moyeu soudé: matière Fe

### Material C45E UNI EN 10083-1

\*Tipos con nucleo soldado: material Fe



## 3/8" x 7/32" 06B - 1 - 2 9,525 x 5,72 mm

Z	D <sub>e</sub>	D <sub>p</sub>	Simplex				Duplex			
			cod.	d	D	H	cod.	d	D	H
8	28,0	24,89	PS05T08	15	8	22	PD05T08	15	6	22
9	31,0	27,85	PS05T09	18	8	22	PD05T09	18	8	22
10	34,0	30,82	PS05T10	20	8	22	PD05T10	20	8	22
11	37,0	33,80	PS05T11	22	8	25	PD05T11	22	10	25
12	40,0	36,80	PS05T12	25	8	25	PD05T12	25	10	25
13	43,0	39,80	PS05T13	28	10	25	PD05T13	28	10	25
14	46,3	42,80	PS05T14	31	10	25	PD05T14	31	10	25
15	49,5	45,81	PS05T15	34	10	25	PD05T15	34	10	25
16	52,3	48,82	PS05T16	37	10	28	PD05T16	37	12	30
17	55,3	51,83	PS05T17	40	10	28	PD05T17	40	12	30
18	58,3	54,85	PS05T18	43	10	28	PD05T18	43	12	30
19	61,3	57,87	PS05T19	45	10	28	PD05T19	46	12	30
20	64,3	60,89	PS05T20	46	10	28	PD05T20	49	12	30
21	68,0	63,91	PS05T21	48	12	28	PD05T21	52	12	30
22	71,0	66,93	PS05T22	50	12	28	PD05T22	55	12	30
23	73,5	69,95	PS05T23	52	12	28	PD05T23	58	12	30
24	77,0	72,97	PS05T24	54	12	28	PD05T24	61	12	30
25	80,0	76,00	PS05T25	57	12	28	PD05T25	64	12	30
26	83,0	79,02	PS05T26	60	12	28	PD05T26	67	12	30
27	86,0	82,04	PS05T27	60	12	28	PD05T27	70	12	30
28	89,0	85,07	PS05T28	60	12	28	PD05T28	73	12	30
30	94,7	91,12	PS05T30	60	12	30	PD05T30	79	12	30
32	101,3	97,17	PS05T32	65	14	30	PD05T32	80	16	30
34	107,3	103,23	PS05T34	65	14	30	PD05T34	80	16	30
35	110,4	106,26	PS05T35	65	14	30	PD05T35	80	16	30
36	113,4	109,29	PS05T36	70	16	30	PD05T36	90	16	30
38	119,5	115,34	PS05T38	70	16	30	PD05T38	90	16	30
40	125,5	121,40	PS05T40	70	16	30	PD05T40	90	16	30

## 1/2" x 5/16" 08B - 1 - 2 12,7 x 7,75 mm

Z	D <sub>e</sub>	D <sub>p</sub>	Simplex				Duplex			
			cod.	d	D	H	cod.	d	D	H
8	37,2	33,18	PS09T08	20	10	25	PD09T08	20	10	32
9	41,0	37,13	PS09T09	24	10	25	PD09T09	24	10	32
10	45,2	41,10	PS09T10	26	10	25	PD09T10	28	10	32
11	48,7	45,07	PS09T11	29	10	25	PD09T11	32	12	35
12	53,0	49,07	PS09T12	33	10	28	PD09T12	35	12	35
13	57,4	53,06	PS09T13	37	10	28	PD09T13	38	12	35
14	61,8	57,07	PS09T14	41	10	28	PD09T14	42	12	35
15	65,5	61,09	PS09T15	45	10	28	PD09T15	46	12	35
16	69,5	65,10	PS09T16	50	12	28	PD09T16	50	14	35
17	73,6	69,11	PS09T17	52	12	28	PD09T17	54	14	35
18	77,8	73,14	PS09T18	56	12	28	PD09T18	58	14	35
19	81,7	77,16	PS09T19	60	12	28	PD09T19	62	14	35
20	85,8	81,19	PS09T20	64	12	28	PD09T20	66	14	35
21	89,7	85,22	PS09T21	68	12	28	PD09T21	70	16	40
22	93,8	89,24	PS09T22	70	12	28	PD09T22	70	16	40
23	98,2	93,27	PS09T23	70	14	28	PD09T23	70	16	40
24	101,8	97,29	PS09T24	70	14	28	PD09T24	75	16	40
25	105,8	101,33	PS09T25	70	14	28	PD09T25	80	16	40
26	110,0	105,36	PS09T26	70	16	30	PD09T26	85	20	40
27	114,0	109,40	PS09T27	70	16	30	PD09T27	85	20	40
28	118,0	113,42	PS09T28	70	16	30	PD09T28	90	20	40
30	126,1	121,50	PS09T30	80	16	30	PD09T30	100	20	40
32	134,3	129,56	PS09T32	90	16	30	PD09T32	100	20	40
34	142,6	137,64	PS09T34	90	16	30	PD09T34	100	20	40
35	146,7	141,68	PS09T35	90	16	30	PD09T35	100	20	40
36	151,0	145,72	PS09T36	90	16	35	PD09T36	110	20	40
38	158,6	153,80	PS09T38	90	16	35	PD09T38	110	20	40
40	166,8	161,87	PS09T40	90	16	35	PD09T40	110	20	40

**Pignoni temperati ad induzione sui denti (45 ÷ 55 HRC)**  
**Sprockets with hardened teeth (45 ÷ 55 HRC)**  
**Kettenräder mit ind. gehärteter Verzahnung (45 ÷ 55 HRC)**  
**Pignons avec denture trempee haute frequence (45 ÷ 55 HRC)**  
**Piñones templados por inducción en los dientes (45 ÷ 55 HRC)**

I valori C-h1-h2-L-r sono da ricavare dalle pagg. 52, 57, 58, 59, 60, 61

See page no. 52, 57, 58, 59, 60, 61 for C-h1-h2-L-r dimensions

Siehe Seite Nr. 52, 57, 58, 59, 60, 61 fuer C-h1-h2-L-r Abmessungen

Voir page no. 52, 57, 58, 59, 60, 61 pour les dimensions C-h1-h2-L-r

Valor C-h1-h2-L-r se deben obtener de las paginas 52, 57, 58, 59, 60, 61

**Materiale C45E**  
**UNI EN 10083-1**

\*Tipi costruiti con mozzo saldato: materiale Fe

**Material C45E**  
**UNI EN 10083-1**

\*With welded hub: material Fe

**Werkstoff C45E**  
**UNI EN 10083-1**

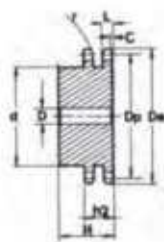
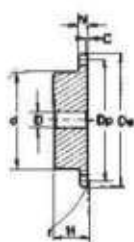
\*Typen mit eingeschweisster Nabe: Werkstoff Fe

**Matière C45E**  
**UNI EN 10083-1**

\*Types avec moyeu soudé: matière Fe

**Material C45E**  
**UNI EN 10083-1**

\*Tipos con nucleo soldado: material Fe



**5/8" x 3/8" 10B - 1 - 2 15,875 x 9,65 mm**

Z	D <sub>c</sub>	D <sub>p</sub>	Simplex				Duplex			
			cod.	d	D	H	cod.	d	D	H
8	47,0	41,48	PS10T08	25	10	25	PD10T08	25	12	40
9	52,6	46,42	PS10T09	30	10	25	PD10T09	30	12	40
10	57,5	51,37	PS10T10	35	10	25	PD10T10	35	12	40
11	63,0	56,34	PS10T11	37	12	30	PD10T11	39	14	40
12	68,0	61,34	PS10T12	42	12	30	PD10T12	44	14	40
13	73,0	66,32	PS10T13	47	12	30	PD10T13	49	14	40
14	78,0	71,34	PS10T14	52	12	30	PD10T14	54	14	40
15	83,0	76,36	PS10T15	57	12	30	PD10T15	59	14	40
16	88,0	81,37	PS10T16	60	12	30	PD10T16	64	16	45
17	93,0	86,39	PS10T17	60	12	30	PD10T17	69	16	45
18	98,0	91,42	PS10T18	70	14	30	PD10T18	74	16	45
19	103,3	96,45	PS10T19	70	14	30	PD10T19	79	16	45
20	108,4	101,49	PS10T20	75	14	30	PD10T20	84	16	45
21	113,4	106,52	PS10T21	75	16	30	PD10T21	85	16	45
22	118,0	111,55	PS10T22	80	16	30	PD10T22	90	16	45
23	123,4	116,58	PS10T23	80	16	30	PD10T23	95	16	45
24	128,3	121,62	PS10T24	80	16	30	PD10T24	100	16	45
25	134,0	126,66	PS10T25	80	16	30	PD10T25	105	16	45
26	139,0	131,70	PS10T26	85	20	35	PD10T26	110	20	45
27	144,0	136,75	PS10T27	85	20	35	PD10T27	110	20	45
28	148,7	141,78	PS10T28	90	20	35	PD10T28	115	20	45
30	158,8	151,87	PS10T30	90	20	35	PD10T30	120	20	45
32	168,9	161,95	PS10T32	95	20	35	PD10T32	120	20	45
34	179,0	172,05	PS10T34	95	20	35	PD10T34	120	20	45
35	184,1	177,10	PS10T35	95	20	35	PD10T35	120	20	45
36	189,1	182,15	PS10T36	100	20	35	PD10T36	120	20	45
38	199,2	192,24	PS10T38	100	20	35	PD10T38	120	20	45
40	209,3	202,34	PS10T40	100	20	40	PD10T40	120	20	45

**3/4" x 7/16" 12B - 1 - 2 19,05 x 11,68 mm**

Z	D <sub>c</sub>	D <sub>p</sub>	Simplex				Duplex			
			cod.	d	D	H	cod.	d	D	H
8	57,6	49,78	PS11T08	31	12	30	PD11T08	31	12	45
9	62,0	55,70	PS11T09	37	12	30	PD11T09	37	12	45
10	69,0	61,64	PS11T10	42	12	30	PD11T10	42	12	45
11	75,0	67,61	PS11T11	46	14	35	PD11T11	47	16	50
12	81,5	73,60	PS11T12	52	14	35	PD11T12	53	16	50
13	87,5	79,59	PS11T13	58	14	35	PD11T13	59	16	50
14	93,6	85,61	PS11T14	64	14	35	PD11T14	65	16	50
15	99,8	91,63	PS11T15	70	14	35	PD11T15	71	16	50
16	105,5	97,65	PS11T16	75	16	35	PD11T16	77	20	50
17	111,5	103,67	PS11T17	80	16	35	PD11T17	83	20	50
18	118,0	109,71	PS11T18	80	16	35	PD11T18	89	20	50
19	124,2	115,75	PS11T19	80	16	35	PD11T19	95	20	50
20	129,7	121,78	PS11T20	80	16	35	PD11T20	100	20	50
21	136,0	127,82	PS11T21	90	20	40	PD11T21	100	20	50
22	141,8	133,86	PS11T22	90	20	40	PD11T22	100	20	50
23	149,0	139,90	PS11T23	90	20	40	PD11T23	100	20	50
24	153,9	145,94	PS11T24	90	20	40	PD11T24	100	20	50
25	160,0	152,00	PS11T25	90	20	40	PD11T25	120	20	50
26	165,9	158,04	PS11T26	95	20	40	PD11T26	120	20	50
27	172,3	164,09	PS11T27	95	20	40	PD11T27	120	20	50
28	178,0	170,13	PS11T28	95	20	40	PD11T28	120	20	50
30	190,5	182,25	PS11T30	95	20	40	PD11T30	120	20	50
32	203,3	194,35	PS11T32	100	20	40	PD11T32	130	20	50
34	214,6	206,46	PS11T34	100	20	40	PD11T34	130	20	50
35	221,0	212,52	PS11T35	100	20	40	PD11T35	130	20	50
36	226,8	218,58	PS11T36	100	20	40	PD11T36	130	25	50
38	239,0	230,69	PS11T38	100	20	40	PD11T38	130	25	50
40	251,3	242,81	PS11T40	100	20	40	PD11T40	130	25	50

## Pignoni temperati ad induzione sui denti (45 ÷ 55 HRC)

## Sprockets with hardened teeth (45 ÷ 55 HRC)

## Kettenräder mit ind. gehärteter Verzahnung (45 ÷ 55 HRC)

## Pignons avec denture trempee haute frequence (45 ÷ 55 HRC)

## Piñones templados por inducción en los dientes (45 ÷ 55 HRC)

I valori C-h1-h2-L-r sono da ricavare dalle pagg. 52, 57, 58, 59, 60, 61

See page no. 52, 57, 58, 59, 60, 61 for C-h1-h2-L-r dimensions

Siehe Seite Nr. 52, 57, 58, 59, 60, 61 fuer C-h1-h2-L-r Abmessungen

Voir page no. 52, 57, 58, 59, 60, 61 pour les dimensions C-h1-h2-L-r

Valor C-h1-h2-L-r se deben obtener de las paginas 52, 57, 58, 59, 60, 61

### Materiale C45E UNI EN 10083-1

\*Tipi costruiti con mozzo saldato: materiale Fe

### Material C45E UNI EN 10083-1

\*With welded hub: material Fe

### Werkstoff C45E UNI EN 10083-1

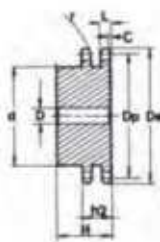
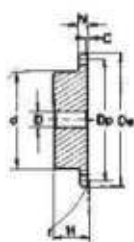
\*Typen mit eingeschweisster Nabe: Werkstoff Fe

### Matière C45E UNI EN 10083-1

\*Tipos avec moyeu soudé: matière Fe

### Material C45E UNI EN 10083-1

\*Tipos con nucleo soldado: material Fe



## 1" x 17,02 mm 16B - 1 - 2 25,4 x 17,02 mm

Z	D <sub>e</sub>	D <sub>p</sub>	Simplex				Duplex			
			cod.	d	D	H	cod.	d	D	H
8	77,0	66,37	PS12T08	42	16	35	PD12T08	42	16	65
9	85,0	74,27	PS12T09	50	16	35	PD12T09	50	16	65
10	93,0	82,19	PS12T10	55	16	35	PD12T10	56	16	65
11	99,5	90,14	PS12T11	61	16	40	PD12T11	64	20	70
12	109,0	98,14	PS12T12	69	16	40	PD12T12	72	20	70
13	117,0	106,12	PS12T13	78	16	40	PD12T13	80	20	70
14	125,0	114,15	PS12T14	84	16	40	PD12T14	88	20	70
15	133,0	122,17	PS12T15	92	16	40	PD12T15	96	20	70
16	141,0	130,20	PS12T16	100	20	45	PD12T16	104	20	70
17	149,0	138,22	PS12T17	100	20	45	PD12T17	112	20	70
18	157,0	146,28	PS12T18	100	20	45	PD12T18	120	20	70
19	165,2	154,33	PS12T19	100	20	45	PD12T19	128	20	70
20	173,2	162,38	PS12T20	100	20	45	PD12T20	130	20	70
21	181,2	170,43	PS12T21	110	20	50	PD12T21	130	25	70
22	189,3	178,48	PS12T22	110	20	50	PD12T22	130*	25	70
23	197,5	186,53	PS12T23	110	20	50	PD12T23	130*	25	70
24	205,5	194,59	PS12T24	110	20	50	PD12T24	130*	25	70
25	213,5	202,66	PS12T25	110	20	50	PD12T25	130*	25	70
26	221,6	210,72	PS12T26	120	20	50	PD12T26	130*	25	70
27	229,6	218,79	PS12T27	120	20	50	PD12T27	130*	25	70
28	237,7	226,85	PS12T28	120	20	50	PD12T28	130*	25	70
30	254,0	243,00	PS12T30	120	20	50	PD12T30	130*	25	70
32	270,0	259,13	PS12T32	120*	25	50	PD12T32	140*	25	70
34	287,0	275,28	PS12T34	120*	25	50	PD12T34	140*	25	70
35	296,2	283,36	PS12T35	120*	25	50	PD12T35	140*	25	70
36	304,6	291,44	PS12T36	120*	25	50	PD12T36	140*	25	70
38	320,7	307,59	PS12T38	120*	25	50	PD12T38	140*	25	70
40	336,9	323,73	PS12T40	120*	25	50	PD12T40	140*	25	70

## 1" 1/4 x 3/4" 20B - 1 - 2 31,75 x 19,56 mm

Z	D <sub>e</sub>	D <sub>p</sub>	Simplex				Duplex			
			cod.	d	D	H	cod.	d	D	H
8	98,1	82,96	PS13T08	53	20	40	PD13T08	53	20	75
9	108,0	92,84	PS13T09	63	20	40	PD13T09	63	20	75
10	117,9	102,74	PS13T10	70	20	40	PD13T10	70	20	75
11	127,8	112,68	PS13T11	77	20	45	PD13T11	80	20	80
12	137,8	122,68	PS13T12	88	20	45	PD13T12	90	20	80
13	147,8	132,65	PS13T13	98	20	45	PD13T13	100	20	80
14	157,8	142,68	PS13T14	108	20	45	PD13T14	110	20	80
15	167,9	152,72	PS13T15	118	20	45	PD13T15	120	20	80
16	177,9	162,75	PS13T16	120	25	50	PD13T16	120	25	80
17	187,9	172,78	PS13T17	120	25	50	PD13T17	120	25	80
18	198,0	182,85	PS13T18	120	25	50	PD13T18	120*	25	80
19	208,1	192,91	PS13T19	120	25	50	PD13T19	120*	25	80
20	218,1	202,98	PS13T20	120	25	50	PD13T20	120*	25	80
21	228,2	213,04	PS13T21	140	25	55	PD13T21	140*	25	80
22	238,3	223,11	PS13T22	140	25	55	PD13T22	140*	25	80
23	248,3	233,17	PS13T23	140	25	55	PD13T23	140*	25	80
24	258,4	243,23	PS13T24	140	25	55	PD13T24	140*	25	80
25	268,5	253,33	PS13T25	140	25	55	PD13T25	140*	25	80
26	278,6	263,40	PS13T26	150*	25	55	PD13T26	150*	25	80
27	288,6	273,48	PS13T27	150*	25	55	PD13T27	150*	25	80
28	298,7	283,56	PS13T28	150*	25	55	PD13T28	150*	25	80
30	318,9	303,75	PS13T30	150*	25	55	PD13T30	150*	25	80
32	339,1	323,91	PS13T32	150*	25	55	PD13T32	150*	25	80
34	359,3	334,10	PS13T34	150*	25	55	PD13T34	150*	25	80
35	369,4	354,20	PS13T35	150*	25	55	PD13T35	150*	25	80
36	379,5	364,30	PS13T36	150*	25	55	PD13T36	150*	30	80
38	399,6	384,49	PS13T38	150*	25	55	PD13T38	150*	30	80
40	419,8	404,66	PS13T40	150*	25	55	PD13T40	150*	30	80

**Pignoni semplici in acciaio inox AISI 304 L**  
**Simplex sprockets in stainless-steel 304 L**  
**Einfach Kettenräder aus Postfreiem Stahl AISI 304 L**  
**Pignons simples en acier inoxydable AISI 304 L**  
**Piñones simples en acero inoxidable AISI 304 L**

Pignoni per catene semplici, a rulli DIN 8187 - ISO/R 606

Sprockets for simplex, chain to DIN 8187 - ISO/R 606

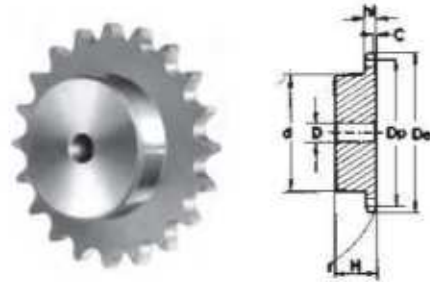
Kettenräder mit einseitiger Nabe für Simplex-Rollenkette nach: DIN 8187 - ISO/R 606

Pignons avec moyeu déporté pour chaînes simples, à rouleaux suivant les normes: DIN 8187 - ISO/R 606

Piñones para cadena, de rodillos según las normas: DIN 8187 - ISO/R 606

**3/8" x 7/32" - 06 B1**

Z	D <sub>e</sub>	D <sub>p</sub>	Simplex			
			cod.	d	D	H
13	43,0	39,80	PS 05X13	28	10	25
14	46,3	42,80	PS 05X14	31	10	25
15	49,3	45,81	PS 05X15	34	10	25
16	52,3	48,82	PS 05X16	37	10	28
17	55,3	51,83	PS 05X17	40	10	28
18	58,3	54,85	PS 05X18	43	10	28
19	61,3	57,85	PS 05X19	45	10	28
20	64,3	60,89	PS 05X20	46	10	28
21	68,0	63,91	PS 05X21	48	12	28
22	71,0	66,93	PS 05X22	50	12	28
23	73,5	69,95	PS 05X23	52	12	28
24	77,0	72,97	PS 05X24	54	12	28
25	80,0	76,00	PS 05X25	57	12	28
30	94,7	91,12	PS 05X30	60	12	28



**1/2" x 5/16" - 08 B1**

Z	D <sub>e</sub>	D <sub>p</sub>	Simplex			
			cod.	d	D	H
12	53,0	49,03	PS 09X12	33	10	28
13	57,4	53,06	PS 09X13	37	10	28
14	61,8	57,07	PS 09X14	41	10	28
15	65,5	61,09	PS 09X15	45	10	28
16	69,5	65,10	PS 09X16	50	12	28
17	73,6	69,11	PS 09X17	52	12	28
18	77,8	73,14	PS 09X18	56	12	28
19	81,7	77,16	PS 09X19	60	12	28
20	85,8	81,19	PS 09X20	64	12	28
21	89,7	85,22	PS 09X21	68	14	28
22	93,8	89,24	PS 09X22	70	14	28
23	98,2	93,27	PS 09X23	70	14	28
24	101,8	97,29	PS 09X24	70	14	28
25	105,8	101,33	PS 09X25	70	14	28
26	110,0	105,36	PS 09X26	70	16	30
30	126,1	121,50	PS 09X30	80	16	30

**3/4" x 7/16" - 12 B1**

Z	D <sub>e</sub>	D <sub>p</sub>	Simplex			
			cod.	d	D	H
12	81,5	73,60	PS 11X12	52	14	35
13	87,5	79,59	PS 11X13	58	14	35
14	93,6	85,61	PS 11X14	64	14	35
15	99,8	91,63	PS 11X15	70	14	35
16	105,5	97,65	PS 11X16	75	16	35
17	111,5	103,67	PS 11X17	80	16	35
18	118,0	109,71	PS 11X18	80	16	35
19	124,2	115,75	PS 11X19	80	16	35
20	129,7	121,78	PS 11X20	80	16	35
21	136,0	127,82	PS 11X21	90	20	40
22	141,8	133,86	PS 11X22	90	20	40
23	149,0	139,90	PS 11X23	90	20	40
24	153,9	145,94	PS 11X24	90	20	40
25	160,0	152,00	PS 11X25	90	20	40
30	190,5	182,25	PS 11X30	95	20	40

**5/8" x 3/8" - 10 B1**

Z	D <sub>e</sub>	D <sub>p</sub>	Simplex			
			cod.	d	D	H
12	68,0	61,34	PS 10X12	42	12	30
13	73,0	66,32	PS 10X13	47	12	30
14	78,0	71,34	PS 10X14	52	12	30
15	83,0	76,36	PS 10X15	57	12	30
16	88,0	81,37	PS 10X16	60	14	30
17	93,0	86,39	PS 10X17	60	14	30
18	98,3	91,42	PS 10X18	70	14	30
19	103,3	96,45	PS 10X19	70	14	30
20	108,4	101,49	PS 10X20	75	14	30
21	113,4	106,52	PS 10X21	75	16	30
22	118,0	111,55	PS 10X22	80	16	30
23	123,4	116,58	PS 10X23	80	16	30
24	128,3	121,62	PS 10X24	80	16	30
25	134,0	126,66	PS 10X25	80	16	30
30	158,8	151,87	PS 10X30	90	20	35

**1" x 17,02" - 16 B1**

Z	D <sub>e</sub>	D <sub>p</sub>	Simplex			
			cod.	d	D	H
12	109,0	98,14	PS 12X12	69	16	40
13	117,0	116,12	PS 12X13	78	16	40
14	125,0	114,15	PS 12X14	84	16	40
15	133,0	122,17	PS 12X15	92	16	40
16	141,0	130,20	PS 12X16	100	20	45
17	149,0	138,22	PS 12X17	100	20	45
18	157,0	146,28	PS 12X18	100	20	45
19	165,2	154,33	PS 12X19	100	20	45
20	173,2	162,38	PS 12X20	100	20	45
21	181,2	170,43	PS 12X21	110	20	50
22	189,3	178,48	PS 12X22	110	20	50
23	197,5	186,53	PS 12X23	110	20	50
24	205,5	194,59	PS 12X24	110	20	50
25	213,5	202,66	PS 12X25	110	20	50
30	254,0	243,00	PS 12X30	120	20	50

# AISI 304 L

## Gradi di resistenza alla corrosione

### Corrosion resistance classes / Korrosionsbeständigkeitsklassen

### Classes de résistance à la corrosion / Clases de resistencia a la corrosión

Agente corrosivo Corrosive agent / Ätzender Stoff Agent corrosif / Agente corrosivo	Concentrazione Concentration / Konzentration Concentration / Concentración %	Temperatura Temperature / Temperatur Température / Temperatura °C	304 L
Aceto / Vinegar		20	A
Acido acetico / Acetic acid	5-100	20	A
Acido butirrico / Butyric acid	50	Bollente-Boiling	C
Acido citrico / Citric acid	5-10	20-65	A
Acido cloridrico / Hydrochloric acid	5	20-65	A
Acido cromico / Chromic acid	15	Bollente-Boiling	A
Acido formico / Formic acid		20	E
Acido fosforico / Phosphoric acid	5	20	A
Acido lattico / Lactic acid	10	Bollente-Boiling	C
Acido nitrico / Nitric acid	10	20	A
Acido oleico / Oleic acid	10	50	B
Acido solforico / Sulphuric acid	1	20	A
Acido tartarico / Tartar acid	5-10	20	C
Acqua dolce / Water	5	20	A
Acqua marina / Sea water	5	65	B
Alcool etilico / Ethyl alcohol	10	20	A
Alcool metilico / Methyl alcohol	10	Bollente-Boiling	B
Ammoniaca / Aqua ammonia	5-50	20	A
Benzina / Gasoline	50	Bollente-Boiling	A
Birra / Beer	100	Bollente-Boiling	D
Caffè / Coffee	100	20	B
Carbonato di sodio / Sodium carbonate	5	20	A
Cloroformio / Chloroform	5	Bollente-Boiling	E
Cloruro ferrico / Ferric chloride	50	20	D
Cloruro di sodio / Sodium chloride	50	Bollente-Boiling	E
Cloruro di zinco / Zinc chloride	100	20	A
Gelatina / Gelatine	100	Bollente-Boiling	D
Glicerina / Glycerine	10	20-65	A
Idrossido di calcio / Hydroxide calcium			A
Ketchup / Kettchup			A
Latte / Milk		20-Bollente-Boiling	A
Mayonnaise / Mayonnaise		20	A
Sapone / Soap			C
Sciroppo / Syrup		65	A
Solfato di zinco / Zinc sulphate		20	A
Succhi di frutta / Fruit juice		20	A
Tiosolfato di sodio / Sodium thiosulfate			A
Tricloroetilene / Trichloroethylene		Bollente-Boiling	A
Vernici / Paint	5	20-65	A
Vino / Wine		20	B
Whisky / Whisky	1	20	D
Zucchero di canna / Cane sugar	5	20	A
	5-20	20-65	A
	5	20	A
			A
	10-20	Bollente-Boiling	C
	50	Bollente-Boiling	A
		20	A
		65	A
		20	A
		20	A
		20	A
	5-100	20	A
			A
	5-10	20-65	C
	100	20	A
			A
			A
			A

**A:** ECCELLENTE (grado di corrosione sotto 0,0089 mm/mese) / EXCELLENT (corrosion rate below 0,0089 mm/month) / AUSGEZEICHNET: (Korrosionsgrad unter 0,0089 mm/Monat) / EXCELLENT: (taux de corrosion au-dessous de 0,0089 mm/mois) / EXCELENTE: (tasa de corrosion bajo 0,0089 mm/mes)

**B:** SODDISFACENTE (grado di corrosione 0,0089-0,089 mm/mese) / SATISFACTORY (corrosion rate 0,0089-0,089 mm/month) / AUSREICHEND (Korrosionsgrad 0,0089-0,089 mm/Monat) / SATISFAISANT (taux de corrosion 0,0089-0,089 mm/mois) / SATISFACTORIO (tasa de corrosion 0,0089-0,089 mm/mes)

**C:** MARGINALE (grado di corrosione 0,089-0,25 mm/mese) / MARGINAL (corrosion rate 0,089-0,25 mm/month) / GERING (Korrosionsgrad 0,089-0,25 mm/Monat) / MARGINAL (taux de corrosion 0,089-0,25 mm/mois) / MARGINAL (tasa de corrosion 0,089-0,25 mm/mes)

**D:** INSODDISFACENTE (grado di corrosione 0,25-0,89 mm/mese) / UNSATISFACTORY (corrosion rate 0,25-0,89 mm/month) / UNBEFRIEDIGEND (Korrosionsgrad 0,25-0,89 mm/Monat) / INSATISFAISANT (taux de corrosion 0,25-0,89 mm/mois) / INSATISFACTORIO (tasa de corrosion 0,25-0,89 mm/mes)

**E:** NON RACCOMANDABILE (grado di corrosione oltre 0,0089 mm/mese) / NOT RECOMMENDABLE (corrosion rate over 0,0089 mm/month) / NICHT EMPFEHLENSWERT: (Korrosionsgrad über 0,0089 mm/Monat) / NON RECOMMENDABLE: (taux de corrosion au-dessus de 0,0089 mm/mois) / NO RECOMENDABLE (tasa de corrosion mas de 0,0089 mm/mes)

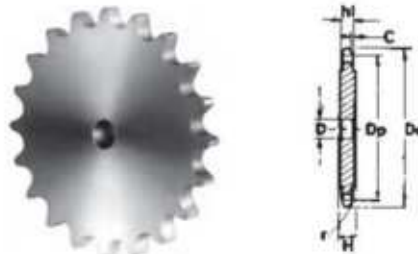
Corone per catene semplici, a rulli secondo:  
DIN 8187 - ISO/R 606  
Corone tornite sui lati,  
dentate con creatore.

Plate wheels for simplex chain to: DIN 8187 - ISO/R 606  
**Plate Wheels turned on both sides and toothed by milling cutter.**

Kettenradscheiben für Simplex-Rollenkette nach:  
DIN 8187 - ISO/R 606  
**Seitlich plan gedrehte, wälzgefräste Zahnkränze.**

Disques pour chaînes simples à rouleaux suivant les normes: DIN 8187 - ISO/R 606  
**Disques tournés sur les flancs, dentés à la fraise.**

Discos para cadena simple de rodillos según:  
DIN 8187 - ISO/R 606  
**Discos torneadas en los lados, dientes obtenidos con fresa madre.**



5 x 2,5 mm

03-1

CATENA:	CHAIN:	KETTE:	CHAÎNE:	CADENA:	ISO mm
Passo	Pitch	Teilung	Pas	Paso	5,0
Larghezza interna	Internal width	Innere Breite	Largeur interieure	Ancho interno	2,5
Rullo ø	Roller ø	Rollen ø	ø du rouleau	Rodillo ø	3,2

CORONE	PLATE WHEELS	KETTENRADSCHIEBEN	DISQUES	DISCOS	ISO mm
Raggio dente r	Tooth radius r	Radius r	Rayon de denture r	Radio diente r	r 5,0
Larghezza raggio C	Radius width C	Breite C	Largeur de rayon C	Ancho radio C	C 0,6
Largh. dente h <sub>1</sub>	Tooth width h <sub>1</sub>	Zahnbreite h <sub>1</sub>	Larg. de denture h <sub>1</sub>	Ancho diente h <sub>1</sub>	h <sub>1</sub> 2,3
Largh. dente L	Tooth width L	Zahnbreite L	Larg. de denture L	Ancho diente L	L -
Largh. dente h <sub>2</sub>	Tooth width h <sub>2</sub>	Zahnbreite h <sub>2</sub>	Larg. de denture h <sub>2</sub>	Ancho diente h <sub>2</sub>	h <sub>2</sub> -
Largh. dente h <sub>3</sub>	Tooth width h <sub>3</sub>	Zahnbreite h <sub>3</sub>	Larg. de denture h <sub>3</sub>	Ancho diente h <sub>3</sub>	h <sub>3</sub> -
Altezza totale H	Full height H	Gesamt Höhe H	Hauteur totale H	Altura total H	H -

A partire da Z = 51 il disco ruota viene maggiorato, H = 4 mm

From Z = 51 the width of the plate is increased, H = 4 mm

Ab Zähnezahl Z = 51 beträgt die Scheibendicke H = 4 mm

A partir de Z = 51 l'épaisseur du disque est augmenté H = 4 mm

A partir de Z = 51 el disco rueda para cadena queda aumentado, H = 4 mm

Z	D <sub>s</sub>	D <sub>p</sub>	Simplex		Z	D <sub>s</sub>	D <sub>p</sub>	Simplex		Z	D <sub>s</sub>	D <sub>p</sub>	Simplex	
			cod.	D				cod.	D				cod.	D
8	15,2	13,06	CS 01008	4	32	53,2	51,01	CS 01032	8	56	91,3	89,17	CS 01056	10
9	16,8	14,62	CS 01009	4	33	54,8	52,60	CS 01033	8	57	92,9	90,76	CS 01057	10
10	18,3	16,18	CS 01010	4	34	56,3	54,19	CS 01034	8	58	94,5	92,35	CS 01058	10
11	19,9	17,75	CS 01011	5	35	57,9	55,78	CS 01035	8	59	96,1	93,94	CS 01059	10
12	21,5	19,32	CS 01012	5	36	59,5	57,37	CS 01036	8	60	97,7	95,53	CS 01060	10
13	23,0	20,89	CS 01013	5	37	61,1	58,96	CS 01037	8	62	100,9	98,72	CS 01062	12
14	24,6	22,47	CS 01014	5	38	62,7	60,54	CS 01038	8	64	104,1	101,90	CS 01064	12
15	26,2	24,04	CS 01015	5	39	64,3	62,13	CS 01039	8	65	105,6	103,49	CS 01065	12
16	27,8	25,63	CS 01016	6	40	65,9	63,73	CS 01040	8	66	107,2	105,08	CS 01066	12
17	29,4	27,20	CS 01017	6	41	67,5	65,31	CS 01041	8	68	110,4	108,26	CS 01068	12
18	30,9	28,79	CS 01018	6	42	69,1	66,91	CS 01042	8	70	113,6	111,44	CS 01070	12
19	32,5	30,38	CS 01019	6	43	70,6	68,49	CS 01043	8	72	116,8	114,63	CS 01072	12
20	34,1	31,96	CS 01020	6	44	72,2	70,09	CS 01044	8	75	121,6	119,40	CS 01075	12
21	35,7	33,54	CS 01021	8	45	73,8	71,68	CS 01045	8	76	123,1	120,99	CS 01076	12
22	37,3	35,13	CS 01022	8	46	75,4	73,27	CS 01046	8	78	126,3	124,17	CS 01078	12
23	38,9	36,72	CS 01023	8	47	77,0	74,86	CS 01047	8	80	129,5	127,35	CS 01080	12
24	40,5	38,30	CS 01024	8	48	78,6	76,45	CS 01048	8	85	137,5	135,31	CS 01085	14
25	42,0	39,89	CS 01025	8	49	80,2	78,03	CS 01049	8	90	145,4	143,27	CS 01090	14
26	43,6	41,48	CS 01026	8	50	81,8	79,63	CS 01050	8	95	153,4	151,22	CS 01095	14
27	45,2	43,07	CS 01027	8	51	83,4	81,22	CS 01051	10	100	161,3	159,18	CS 01100	14
28	46,8	44,65	CS 01028	8	52	85,0	82,81	CS 01052	10	110	177,2	175,09	CS 01110	14
29	48,4	46,25	CS 01029	8	53	86,6	84,40	CS 01053	10	114	183,6	181,46	CS 01114	14
30	50,0	47,83	CS 01030	8	54	88,1	85,97	CS 01054	10	120	193,2	191,01	CS 01120	14
31	51,5	49,42	CS 01031	8	55	89,7	87,58	CS 01055	10	125	201,1	198,96	CS 01125	14

# Corone / Plate wheels Kettenradscheiben / Disques / Discos

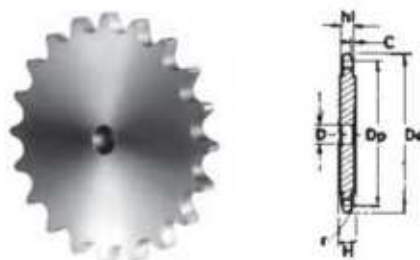
Corone per catene semplici, a rulli secondo:  
DIN 8187 - ISO/R 606  
Corone tornite sui lati,  
dentate con creatore.

Plate wheels for simplex chain to: DIN 8187 - ISO/R 606  
**Plate Wheels turned on both sides and toothed by milling cutter.**

Kettenradscheiben für Simplex-Rollenkette nach:  
DIN 8187 - ISO/R 606  
**Seitlich plan gedrehte, wälzgefäste Zahnkränze.**

Disques pour chaînes simples à rouleaux suivant les normes:  
DIN 8187 - ISO/R 606  
**Disques tournés sur les flancs, dentés à la fraise.**

Discos para cadena simple de rodillos según:  
DIN 8187 - ISO/R 606  
**Discos torneadas en los lados, dientes obtenidos con fresa madre.**



6 x 2,8 mm

04-1

CATENA:	CHAIN:	KETTE:	CHAÎNE:	CADENA:	ISO mm
Passo	Pitch	Teilung	Pas	Paso	6,0
Larghezza interna	Internal width	Innere Breite	Largeur interieure	Ancho interno	2,8
Rullo ø	Roller ø	Rollen ø	ø du rouleau	Rodillo ø	4,0

CORONE	PLATE WHEELS	KETTENRADSCHIEBEN	DISQUES	DISCOS	ISO mm
Raggio dente r	Tooth radius r	Radius r	Rayon de denture r	Radio diente r	r 6,0
Larghezza raggio C	Radius width C	Breite C	Largeur de rayon C	Ancho radio C	C 0,7
Largh. dente h <sub>1</sub>	Tooth width h <sub>1</sub>	Zahnbreite h <sub>1</sub>	Larg. de denture h <sub>1</sub>	Ancho diente h <sub>1</sub>	h <sub>1</sub> 2,6
Largh. dente L	Tooth width L	Zahnbreite L	Larg. de denture L	Ancho diente L	L -
Largh. dente h <sub>2</sub>	Tooth width h <sub>2</sub>	Zahnbreite h <sub>2</sub>	Larg. de denture h <sub>2</sub>	Ancho diente h <sub>2</sub>	h <sub>2</sub> -
Largh. dente h <sub>3</sub>	Tooth width h <sub>3</sub>	Zahnbreite h <sub>3</sub>	Larg. de denture h <sub>3</sub>	Ancho diente h <sub>3</sub>	h <sub>3</sub> -
Altezza totale H	Full height H	Gesamt Höhe H	Hauteur totale H	Altura total H	H -

A partire da Z = 51 il disco ruota viene maggiorato, H = 4 mm

From Z = 51 the width of the plate is increased, H = 4 mm

Ab Zähnezahl Z = 51 beträgt die Scheibendicke H = 4 mm

A partir de Z = 51 l'épaisseur du disque est augmenté H = 4 mm

A partir de Z = 51 el disco rueda para cadena queda aumentado, H = 4 mm

Z	D <sub>e</sub>	D <sub>p</sub>	Simplex		Z	D <sub>e</sub>	D <sub>p</sub>	Simplex		Z	D <sub>e</sub>	D <sub>p</sub>	Simplex	
			cod.	D				cod.	D				cod.	D
8	18,0	15,67	CS 02008	5	32	63,6	61,21	CS 02032	8	56	109,5	107,00	CS 02056	12
9	19,9	17,54	CS 02009	5	33	65,5	63,11	CS 02033	8	57	111,4	108,93	CS 02057	12
10	21,7	19,42	CS 02010	6	34	67,4	65,02	CS 02034	8	58	113,3	110,82	CS 02058	12
11	23,7	21,30	CS 02011	6	35	69,3	66,93	CS 02035	8	59	115,2	112,71	CS 02059	12
12	25,4	23,18	CS 02012	6	36	71,2	68,84	CS 02036	8	60	117,1	114,62	CS 02060	12
13	27,3	25,05	CS 02013	8	37	73,1	70,75	CS 02037	8	62	120,9	118,45	CS 02062	14
14	29,2	26,96	CS 02014	8	38	75,0	72,66	CS 02038	8	64	124,7	122,27	CS 02064	14
15	31,1	28,86	CS 02015	8	39	76,9	74,56	CS 02039	8	65	126,6	124,18	CS 02065	14
16	33,0	30,76	CS 02016	8	40	78,9	76,47	CS 02040	8	66	128,5	126,09	CS 02066	14
17	35,0	32,65	CS 02017	8	41	80,8	78,38	CS 02041	10	68	132,4	129,91	CS 02068	14
18	36,9	34,55	CS 02018	8	42	82,7	80,28	CS 02042	10	70	136,2	133,73	CS 02070	14
19	38,8	36,44	CS 02019	8	43	84,7	82,19	CS 02043	10	72	140,0	137,55	CS 02072	16
20	40,7	38,34	CS 02020	8	44	86,6	84,10	CS 02044	10	75	145,7	143,28	CS 02075	16
21	42,6	40,25	CS 02021	8	45	88,5	86,01	CS 02045	10	76	147,6	145,19	CS 02076	16
22	44,5	42,16	CS 02022	8	46	90,4	87,92	CS 02046	10	78	151,5	149,01	CS 02078	16
23	46,4	44,06	CS 02023	8	47	92,3	89,83	CS 02047	10	80	155,3	152,82	CS 02080	16
24	48,3	45,96	CS 02024	8	48	94,2	91,74	CS 02048	10	85	164,8	162,37	CS 02085	16
25	50,2	47,87	CS 02025	8	49	96,1	93,64	CS 02049	10	90	174,4	171,92	CS 02090	16
26	52,1	49,77	CS 02026	8	50	98,0	95,55	CS 02050	10	95	183,9	181,47	CS 02095	16
27	54,0	51,67	CS 02027	8	51	99,9	97,47	CS 02051	12	100	193,5	191,01	CS 02100	16
28	55,9	53,58	CS 02028	8	52	101,8	99,37	CS 02052	12	110	211,6	210,11	CS 02110	16
29	57,8	55,50	CS 02029	8	53	103,7	101,27	CS 02053	12	114	220,2	217,75	CS 02114	16
30	59,8	57,42	CS 02030	8	54	105,6	103,17	CS 02054	12	120	231,7	229,20	CS 02120	16
31	61,7	59,31	CS 02031	8	55	107,6	105,08	CS 02055	12	125	241,2	238,75	CS 02125	16



# Corone / Plate wheels Kettenradscheiben / Disques / Discos

Corone per catene semplici, a rulli secondo: DIN 8188 - ISO/R 606 - ANSI B29,1

**Corone tornite sui lati, dentate con creatore.**

Plate wheels for simplex chain to: DIN 8188 - ISO/R 606 - ANSI B29,1

**Plate Wheels turned on both sides and toothed by milling cutter.**

Kettenradscheiben für Simplex-Rollenkette nach: DIN 8188 - ISO/R 606 - ANSI B29,1

**Seitlich plan gedrehte, wälzgefräste Zahnkränze.**

Disques pour chaînes simples à rouleaux suivant les normes: DIN 8188 - ISO/R 606 - ANSI B29,1

**Disques tournés sur les flancs, dentés à la fraise.**

Discos para cadena simple de rodillos según: DIN 8188 - ISO/R 606 - ANSI B29,1

**Discos torneadas en los lados, dientes obtenidos con fresa madre.**



**1/4" x 1/8"**

**ASA 25-1 6,35 x 3,18 mm**

CATENA:	CHAIN:	KETTE:	CHAÎNE:	CADENA:	ASA 25 mm
Passo	Pitch	Teilung	Pas	Paso	<b>6,35</b>
Larghezza interna	Internal width	Innere Breite	Largeur interieure	Ancho interno	<b>3,18</b>
Rullo ø	Roller ø	Rollen ø	ø du rouleau	Rodillo ø	<b>3,30</b>

CORONE	PLATE WHEELS	KETTENRADSCHIEBEN	DISQUES	DISCOS	ASA mm
Raggio dente r	Tooth radius r	Radius r	Rayon de denture r	Radio diente r	<b>r 6,4</b>
Larghezza raggio C	Radius width C	Breite C	Largeur de rayon C	Ancho radio C	<b>C 0,7</b>
Largh. dente h <sub>1</sub>	Tooth width h <sub>1</sub>	Zahnbreite h <sub>1</sub>	Larg. de denture h <sub>1</sub>	Ancho diente h <sub>1</sub>	<b>h<sub>1</sub> 2,9</b>
Largh. dente L	Tooth width L	Zahnbreite L	Larg. de denture L	Ancho diente L	<b>L -</b>
Largh. dente h <sub>2</sub>	Tooth width h <sub>2</sub>	Zahnbreite h <sub>2</sub>	Larg. de denture h <sub>2</sub>	Ancho diente h <sub>2</sub>	<b>h<sub>2</sub> -</b>
Largh. dente h <sub>3</sub>	Tooth width h <sub>3</sub>	Zahnbreite h <sub>3</sub>	Larg. de denture h <sub>3</sub>	Ancho diente h <sub>3</sub>	<b>h<sub>3</sub> -</b>
Altezza totale H	Full height H	Gesamt Höhe H	Hauteur totale H	Altura total H	<b>H -</b>

**A partire da Z = 51 il disco ruota viene maggiorato, H = 4 mm**

**From Z = 51 the width of the plate is increased, H = 4 mm**

**Ab Zähnezahl Z = 51 beträgt die Scheibendicke H = 4 mm**

**A partir de Z = 51 l'épaisseur du disque est augmenté H = 4 mm**

**A partir de Z = 51 el disco rueda para cadena queda aumentado, H = 4 mm**

Z	D <sub>e</sub>	D <sub>p</sub>	Simplex		Z	D <sub>e</sub>	D <sub>p</sub>	Simplex		Z	D <sub>e</sub>	D <sub>p</sub>	Simplex	
			cod.	D				cod.	D				cod.	D
8	19,4	16,58	CS 03008	6	32	67,6	64,78	CS 03032	10	56	116,0	113,25	CS 03056	12
9	21,4	18,56	CS 03009	6	33	69,6	66,80	CS 03033	10	57	118,1	115,27	CS 03057	12
10	23,3	20,55	CS 03010	6	34	71,6	68,82	CS 03034	10	58	120,1	117,29	CS 03058	12
11	25,3	22,54	CS 03011	8	35	73,6	70,84	CS 03035	10	59	122,1	119,31	CS 03059	12
12	27,3	24,53	CS 03012	8	36	75,6	72,85	CS 03036	10	60	124,1	121,32	CS 03060	12
13	29,3	26,53	CS 03013	8	37	77,7	74,87	CS 03037	10	62	128,2	125,37	CS 03062	12
14	31,3	28,53	CS 03014	8	38	79,7	76,89	CS 03038	10	64	132,2	129,41	CS 03064	12
15	33,3	30,55	CS 03015	8	39	81,7	78,91	CS 03039	10	65	134,2	131,43	CS 03065	12
16	35,3	32,55	CS 03016	8	40	83,7	80,93	CS 03040	10	66	136,2	133,45	CS 03066	14
17	37,3	34,55	CS 03017	8	41	85,7	82,95	CS 03041	10	68	140,3	137,49	CS 03068	14
18	39,4	36,56	CS 03018	8	42	87,8	84,97	CS 03042	10	70	144,3	141,53	CS 03070	14
19	41,4	38,58	CS 03019	8	43	89,8	86,98	CS 03043	10	72	148,4	145,58	CS 03072	14
20	43,4	40,58	CS 03020	8	44	91,8	89,01	CS 03044	10	75	154,4	151,63	CS 03075	14
21	45,4	42,60	CS 03021	8	45	93,8	91,03	CS 03045	10	76	156,5	153,66	CS 03076	14
22	47,4	44,62	CS 03022	8	46	95,8	93,05	CS 03046	10	78	160,5	157,70	CS 03078	16
23	49,4	46,63	CS 03023	8	47	97,9	95,07	CS 03047	10	80	164,5	161,74	CS 03080	16
24	51,4	48,64	CS 03024	8	48	99,9	97,09	CS 03048	10	85	174,6	171,85	CS 03085	16
25	53,3	50,66	CS 03025	8	49	101,9	99,10	CS 03049	10	90	184,7	181,95	CS 03090	16
26	55,5	52,67	CS 03026	8	50	103,9	101,13	CS 03050	10	95	194,8	192,05	CS 03095	16
27	57,5	54,69	CS 03027	8	51	105,9	103,14	CS 03051	12	100	204,9	202,15	CS 03100	16
28	59,5	56,71	CS 03028	8	52	108,0	105,16	CS 03052	12	110	225,1	222,37	CS 03110	16
29	61,5	58,73	CS 03029	8	53	110,0	107,18	CS 03053	12	114	233,2	230,45	CS 03114	16
30	63,6	60,75	CS 03030	8	54	112,0	109,18	CS 03054	12	120	245,4	242,58	CS 03120	16
31	65,6	62,76	CS 03031	10	55	114,0	111,23	CS 03055	12	125	255,5	252,68	CS 03125	16

# Corone / Plate wheels Kettenradscheiben / Disques / Discos

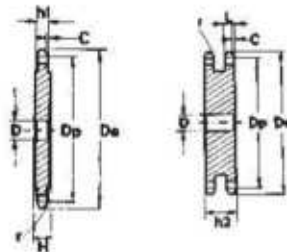
Corone per catene semplici e doppie, a rulli secondo: DIN 8187 - ISO/R 606  
Corone tornite sui lati, dentate con creatore.

Plate wheels for simplex and duplex chain to: DIN 8187 - ISO/R 606  
Plate Wheels turned on both sides and toothed by milling cutter.

Kettenradscheiben für Simplex- und duplex-Rollenkette nach: DIN 8187 - ISO/R 606  
Seitlich plan gedrehte, wälzgefräste Zahnkränze.

Disques pour chaînes simples et doubles à rouleaux suivant les normes: DIN 8187 - ISO/R 606  
Disques tournés sur les flancs, dentés à la fraise.

Discos para cadena simple y doble de rodillos según: DIN 8187 - ISO/R 606  
Discos torneadas en los lados, dientes obtenidos con fresa madre.



8 x 3,0 mm

05B-1-2

CATENA:	CHAIN:	KETTE:	CHAÎNE:	CADENA:	ISO mm
Passo	Pitch	Teilung	Pas	Paso	8,0
Larghezza interna	Internal width	Innere Breite	Largeur interieure	Ancho interno	3,0
Rullo ø	Roller ø	Rollen ø	ø du rouleau	Rodillo ø	5,0

CORONE	PLATE WHEELS	KETTENRADSCHIEBEN	DISQUES	DISCOS	ISO mm
Raggio dente r	Tooth radius r	Radius r	Rayon de denture r	Radio diente r	r 8,0
Larghezza raggio C	Radius width C	Breite C	Largeur de rayon C	Ancho radio C	C 1,0
Largh. dente h <sub>1</sub>	Tooth width h <sub>1</sub>	Zahnbreite h <sub>1</sub>	Larg. de denture h <sub>1</sub>	Ancho diente h <sub>1</sub>	h <sub>1</sub> 2,8
Largh. dente L	Tooth width L	Zahnbreite L	Larg. de denture L	Ancho diente L	L 2,7
Largh. dente h <sub>2</sub>	Tooth width h <sub>2</sub>	Zahnbreite h <sub>2</sub>	Larg. de denture h <sub>2</sub>	Ancho diente h <sub>2</sub>	h <sub>2</sub> 8,3
Largh. dente h <sub>3</sub>	Tooth width h <sub>3</sub>	Zahnbreite h <sub>3</sub>	Larg. de denture h <sub>3</sub>	Ancho diente h <sub>3</sub>	h <sub>3</sub> -
Altezza totale H	Full height H	Gesamt Höhe H	Hauteur totale H	Altura total H	H -

A partire da Z = 51 il disco ruota viene maggiorato, H = 4 mm

From Z = 51 the width of the plate is increased, H = 4 mm

Ab Zähnezahl Z = 51 beträgt die Scheibendicke H = 4 mm

A partir de Z = 51 l'épaisseur du disque est augmenté H = 4 mm

A partir de Z = 51 el disco rueda para cadena queda aumentado, H = 4 mm

Z	D <sub>e</sub>	D <sub>p</sub>	Simplex		Duplex		Z	D <sub>e</sub>	D <sub>p</sub>	Simplex		Duplex	
			cod.	D	cod.	D				cod.	D	cod.	D
8	24,0	20,90	CS 04008	6	CD 04008	6	44	115,5	112,14	CS 04044	12	CD 04044	14
9	26,6	23,39	CS 04009	6	CD 04009	6	45	118,0	114,69	CS 04045	12	CD 04045	14
10	29,2	25,89	CS 04010	8	CD 04010	8	46	120,6	117,23	CS 04046	12	CD 04046	14
11	31,7	28,39	CS 04011	8	CD 04011	8	47	123,1	119,77	CS 04047	12	CD 04047	14
12	34,2	30,91	CS 04012	8	CD 04012	8	48	125,6	122,32	CS 04048	12	CD 04048	14
13	36,7	33,42	CS 04013	8	CD 04013	8	49	128,2	124,86	CS 04049	12	CD 04049	14
14	39,2	35,95	CS 04014	8	CD 04014	8	50	130,7	127,41	CS 04050	12	CD 04050	14
15	41,7	38,48	CS 04015	8	CD 04015	8	51	133,3	129,95	CS 04051	14	CD 04051	16
16	44,3	41,01	CS 04016	8	CD 04016	10	52	135,8	132,49	CS 04052	14	CD 04052	16
17	46,8	43,53	CS 04017	8	CD 04017	10	53	138,4	135,04	CS 04053	14	CD 04053	16
18	49,3	46,07	CS 04018	8	CD 04018	10	54	140,9	137,59	CS 04054	14	CD 04054	16
19	51,9	48,61	CS 04019	8	CD 04019	10	55	143,5	140,13	CS 04055	14	CD 04055	16
20	54,4	51,14	CS 04020	8	CD 04020	10	56	146,0	142,68	CS 04056	14	CD 04056	16
21	57,0	53,67	CS 04021	8	CD 04021	10	57	148,6	145,22	CS 04057	14	CD 04057	16
22	59,5	56,21	CS 04022	8	CD 04022	10	58	151,0	147,77	CS 04058	14	CD 04058	16
23	62,0	58,75	CS 04023	8	CD 04023	10	59	153,6	150,31	CS 04059	14	CD 04059	16
24	64,6	61,29	CS 04024	8	CD 04024	10	60	156,2	152,85	CS 04060	14	CD 04060	16
25	67,5	63,83	CS 04025	8	CD 04025	10	62	162,0	157,95	CS 04062	16	CD 04062	20
26	69,5	66,37	CS 04026	10	CD 04026	12	64	167,1	163,04	CS 04064	16	CD 04064	20
27	72,2	68,91	CS 04027	10	CD 04027	12	65	169,2	165,58	CS 04065	16	CD 04065	20
28	74,8	71,45	CS 04028	10	CD 04028	12	66	172,2	168,13	CS 04066	16	CD 04066	20
29	77,3	73,99	CS 04029	10	CD 04029	12	68	177,3	173,22	CS 04068	16	CD 04068	20
30	79,8	76,53	CS 04030	10	CD 04030	12	70	182,4	178,31	CS 04070	16	CD 04070	20
31	82,4	79,08	CS 04031	10	CD 04031	12	72	187,5	183,41	CS 04072	20	CD 04072	20
32	84,9	81,61	CS 04032	10	CD 04032	12	75	195,1	191,04	CS 04075	20	CD 04075	20
33	87,5	84,16	CS 04033	10	CD 04033	12	76	197,7	193,59	CS 04076	20	CD 04076	20
34	90,0	86,70	CS 04034	10	CD 04034	12	78	202,8	198,68	CS 04078	20	CD 04078	20
35	92,5	89,24	CS 04035	10	CD 04035	12	80	207,9	203,77	CS 04080	20	CD 04080	20
36	95,0	91,79	CS 04036	10	CD 04036	12	85	220,6	216,50	CS 04085	20	CD 04085	20
37	97,6	94,33	CS 04037	10	CD 04037	12	90	233,4	229,23	CS 04090	20	CD 04090	20
38	100,2	96,88	CS 04038	10	CD 04038	12	95	246,1	241,96	CS 04095	20	CD 04095	20
39	102,7	99,42	CS 04039	10	CD 04039	12	100	258,9	254,68	CS 04100	20	CD 04100	20
40	105,2	101,97	CS 04040	10	CD 04040	12	110	284,3	280,15	CS 04110	20	CD 04110	20
41	107,8	104,51	CS 04041	12	CD 04041	14	114	294,5	290,33	CS 04114	20	CD 04114	20
42	110,4	107,05	CS 04042	12	CD 04042	14	120	310,0	305,61	CS 04120	20	CD 04120	20
43	112,9	109,60	CS 04043	12	CD 04043	14	125	322,5	318,34	CS 04125	20	CD 04125	20



# Corone / Plate wheels

## Kettenradscheiben / Disques / Discos

Corone per catene semplici, a rulli secondo:  
DIN 8187 - ISO/R 606  
Corone tornite sui lati,  
dentate con creatore.

Plate wheels for simplex chain  
to:  
DIN 8187 - ISO/R 606  
Plate Wheels turned on  
both sides and toothed by  
milling cutter.

Kettenradscheiben für Simplex-  
Rollenkette nach:  
DIN 8187 - ISO/R 606  
Seitlich plan gedrehte,  
wälzgefräste Zahnkränze.

Disques pour chaînes simples  
à rouleaux suivant les normes:  
DIN 8187 - ISO/R 606  
Disques tournés sur les  
flancs, dentés à la fraise.

Discos para cadena simple de  
rodillos según:  
DIN 8187 - ISO/R 606  
Discos torneadas en los  
lados, dientes obtenidos  
con fresa madre.



1/2" x 1/8"

081- 1 12,7 x 3,33 mm

CATENA:	CHAIN:	KETTE:	CHAÎNE:	CADENA:	ISO mm
Passo	Pitch	Teilung	Pas	Paso	12,70
Larghezza interna	Internal width	Innere Breite	Largeur interieure	Ancho interno	3,30
Rullo ø	Roller ø	Rollen ø	ø du rouleau	Rodillo ø	7,75

CORONE	PLATE WHEELS	KETTENRADSCHIEBEN	DISQUES	DISCOS	ISO mm
Raggio dente r	Tooth radius r	Radius r	Rayon de denture r	Radio diente r	r 13,0
Larghezza raggio C	Radius width C	Breite C	Largeur de rayon C	Ancho radio C	C 1,3
Largh. dente h <sub>1</sub>	Tooth width h <sub>1</sub>	Zahnbreite h <sub>1</sub>	Larg. de denture h <sub>1</sub>	Ancho diente h <sub>1</sub>	h <sub>1</sub> 3,0
Largh. dente L	Tooth width L	Zahnbreite L	Larg. de denture L	Ancho diente L	L -
Largh. dente h <sub>2</sub>	Tooth width h <sub>2</sub>	Zahnbreite h <sub>2</sub>	Larg. de denture h <sub>2</sub>	Ancho diente h <sub>2</sub>	h <sub>2</sub> -
Largh. dente h <sub>3</sub>	Tooth width h <sub>3</sub>	Zahnbreite h <sub>3</sub>	Larg. de denture h <sub>3</sub>	Ancho diente h <sub>3</sub>	h <sub>3</sub> -
Altezza totale H	Full height H	Gesamt Höhe H	Hauteur totale H	Altura total H	H -

A partire da Z = 31 il disco  
ruota viene maggiorato,  
H = 4 mm

From Z = 31 the width of  
the plate is increased, H =  
4 mm

Ab Zähnezahl Z = 31  
beträgt die Scheibendicke  
H = 4 mm

A partir de Z = 31  
l'épaisseur du disque est  
augmenté H = 4 mm

A partir de Z = 31 el disco  
rueda para cadena queda  
aumentado, H = 4 mm

A partire da Z = 90 il disco  
ruota viene maggiorato,  
H = 6 mm

From Z = 90 the width of  
the plate is increased,  
H = 6 mm

Ab Zähnezahl Z = 90  
beträgt die Scheibendicke  
H = 6 mm

A partir de Z = 90 l'épaisseur  
du disque est augmenté  
H = 6 mm

A partir de Z = 90 el disco  
rueda para cadena queda  
aumentado, H = 6 mm

Z	D <sub>e</sub>	D <sub>p</sub>	Simplex		Z	D <sub>e</sub>	D <sub>p</sub>	Simplex		Z	D <sub>e</sub>	D <sub>p</sub>	Simplex	
			cod.	D				cod.	D				cod.	D
8	37,2	33,18	CS 06008	8	32	135,5	129,56	CS 06032	12	56	232,1	226,50	CS 06056	20
9	41,5	37,13	CS 06009	8	33	139,6	133,60	CS 06033	12	57	236,1	230,54	CS 06057	20
10	46,2	41,10	CS 06010	8	34	143,6	137,64	CS 06034	12	58	240,2	234,58	CS 06058	20
11	49,6	45,07	CS 06011	8	35	147,6	141,68	CS 06035	12	59	244,2	238,62	CS 06059	20
12	53,9	49,07	CS 06012	8	36	151,7	145,72	CS 06036	16	60	248,2	242,66	CS 06060	20
13	58,4	53,06	CS 06013	8	37	155,7	149,76	CS 06037	16	62	256,7	250,75	CS 06062	20
14	62,8	57,07	CS 06014	8	38	159,8	153,80	CS 06038	16	64	264,8	258,82	CS 06064	20
15	66,8	61,09	CS 06015	8	39	163,8	157,83	CS 06039	16	65	268,8	262,86	CS 06065	20
16	70,9	65,10	CS 06016	10	40	167,8	161,87	CS 06040	16	66	272,9	266,90	CS 06066	25
17	74,9	69,11	CS 06017	10	41	171,4	165,91	CS 06041	16	68	280,9	274,99	CS 06068	25
18	78,9	73,14	CS 06018	10	42	175,4	169,95	CS 06042	16	70	289,0	283,07	CS 06070	25
19	82,9	77,16	CS 06019	10	43	179,5	173,99	CS 06043	16	72	297,1	291,16	CS 06072	25
20	86,9	81,19	CS 06020	10	44	183,5	178,03	CS 06044	16	76	313,3	307,33	CS 06076	25
21	91,0	85,22	CS 06021	10	45	187,5	182,07	CS 06045	16	78	321,4	315,40	CS 06078	25
22	95,0	89,24	CS 06022	10	46	191,6	186,10	CS 06046	20	80	329,4	323,48	CS 06080	25
23	99,0	93,27	CS 06023	10	47	195,6	190,14	CS 06047	20	85	349,7	343,70	CS 06085	25
24	103,0	97,29	CS 06024	10	48	199,7	194,18	CS 06048	20	90	369,9	363,90	CS 06090	25
25	107,1	101,33	CS 06025	10	49	203,7	198,22	CS 06049	20	100	410,3	404,31	CS 06100	25
26	111,2	105,36	CS 06026	12	50	207,8	202,26	CS 06050	20	110	450,7	444,74	CS 06110	25
27	115,4	109,40	CS 06027	12	51	211,8	206,30	CS 06051	20	114	466,9	460,90	CS 06114	25
28	119,4	113,42	CS 06028	12	52	215,9	210,34	CS 06052	20	120	491,2	485,16	CS 06120	25
29	123,4	117,46	CS 06029	12	53	219,9	214,37	CS 06053	20	125	511,4	505,37	CS 06125	25
30	127,5	121,50	CS 06030	12	54	224,0	218,43	CS 06054	20					
31	131,5	125,54	CS 06031	12	55	228,0	222,46	CS 06055	20					

# Corone / Plate wheels Kettenradscheiben / Disques / Discos

Corone per catene semplici, a rulli secondo:  
DIN 8187 - ISO/R 606  
Corone tornite sui lati, dentate con creatore.

Plate wheels for simplex chain to:  
DIN 8187 - ISO/R 606  
Plate Wheels turned on both sides and toothed by milling cutter.

Kettenradscheiben für Simplex-Rollenkette nach:  
DIN 8187 - ISO/R 606  
Seitlich plan gedrehte, wälzgefräste Zahnkränze.

Disques pour chaînes simples à rouleaux suivant les normes:  
DIN 8187 - ISO/R 606  
Disques tournés sur les flancs, dentés à la fraise.

Discos para cadena simple de rodillos según:  
DIN 8187 - ISO/R 606  
Discos torneadas en los lados, dientes obtenidos con fresa madre.



1/2" x 3/16"

083 - 1/084 - 1 12,7 x 4,88 mm

CATENA:	CHAIN:	KETTE:	CHAÎNE:	CADENA:	ISO mm
Passo	Pitch	Teilung	Pas	Paso	12,70
Larghezza interna	Internal width	Innere Breite	Largeur interieure	Ancho interno	4,88
Rullo ø	Roller ø	Rollen ø	ø du rouleau	Rodillo ø	7,75

CORONE	PLATE WHEELS	KETTENRADSCHIEBEN	DISQUES	DISCOS	ISO mm
Raggio dente r	Tooth radius r	Radius r	Rayon de denture r	Radio diente r	r 13,0
Larghezza raggio C	Radius width C	Breite C	Largeur de rayon C	Ancho radio C	C 1,3
Largh. dente h <sub>1</sub>	Tooth width h <sub>1</sub>	Zahnbreite h <sub>1</sub>	Larg. de denture h <sub>1</sub>	Ancho diente h <sub>1</sub>	h <sub>1</sub> 4,5
Largh. dente L	Tooth width L	Zahnbreite L	Larg. de denture L	Ancho diente L	L -
Largh. dente h <sub>2</sub>	Tooth width h <sub>2</sub>	Zahnbreite h <sub>2</sub>	Larg. de denture h <sub>2</sub>	Ancho diente h <sub>2</sub>	h <sub>2</sub> -
Largh. dente h <sub>3</sub>	Tooth width h <sub>3</sub>	Zahnbreite h <sub>3</sub>	Larg. de denture h <sub>3</sub>	Ancho diente h <sub>3</sub>	h <sub>3</sub> -
Altezza totale H	Full height H	Gesamt Höhe H	Hauteur totale H	Altura total H	H -

A partire da Z = 90 il disco ruota viene maggiorato, H = 6 mm

From Z = 90 the width of the plate is increased, H = 6 mm

Ab Zähnezahl Z = 90 beträgt die Scheibendicke H = 6 mm

A partir de Z = 90 l'épaisseur du disque est augmenté H = 6 mm

A partir de Z = 90 el disco rueda para cadena queda aumentado, H = 6 mm

Z	D <sub>e</sub>	D <sub>p</sub>	Simplex		Z	D <sub>e</sub>	D <sub>p</sub>	Simplex		Z	D <sub>e</sub>	D <sub>p</sub>	Simplex	
			cod.	D				cod.	D				cod.	D
8	37,2	33,18	CS 07008	8	32	135,5	129,56	CS 07032	12	56	232,1	226,50	CS 07056	20
9	41,5	37,13	CS 07009	8	33	139,6	133,60	CS 07033	12	57	236,1	230,54	CS 07057	20
10	46,2	41,10	CS 07010	8	34	143,6	137,64	CS 07034	12	58	240,2	234,58	CS 07058	20
11	49,6	45,07	CS 07011	8	35	147,6	141,68	CS 07035	12	59	244,2	238,62	CS 07059	20
12	53,9	49,07	CS 07012	8	36	151,7	145,72	CS 07036	16	60	248,2	242,66	CS 07060	20
13	58,4	53,06	CS 07013	8	37	155,7	149,76	CS 07037	16	62	256,7	250,75	CS 07062	20
14	62,8	57,07	CS 07014	8	38	159,8	153,80	CS 07038	16	64	264,8	258,82	CS 07064	20
15	66,8	61,09	CS 07015	8	39	163,8	157,83	CS 07039	16	65	268,8	262,86	CS 07065	20
16	70,9	65,10	CS 07016	10	40	167,8	161,87	CS 07040	16	66	272,9	266,90	CS 07066	25
17	74,9	69,11	CS 07017	10	41	171,4	165,91	CS 07041	16	68	280,9	274,99	CS 07068	25
18	78,9	73,14	CS 07018	10	42	175,4	169,95	CS 07042	16	70	289,0	283,07	CS 07070	25
19	82,9	77,16	CS 07019	10	43	179,5	173,99	CS 07043	16	72	297,1	291,16	CS 07072	25
20	86,9	81,19	CS 07020	10	44	183,5	178,03	CS 07044	16	76	313,3	307,33	CS 07076	25
21	91,0	85,22	CS 07021	10	45	187,5	182,07	CS 07045	16	78	321,4	315,40	CS 07078	25
22	95,0	89,24	CS 07022	10	46	191,6	186,10	CS 07046	20	80	329,4	323,48	CS 07080	25
23	99,0	93,27	CS 07023	10	47	195,6	190,14	CS 07047	20	85	349,7	343,70	CS 07085	25
24	103,0	97,29	CS 07024	10	48	199,7	194,18	CS 07048	20	90	369,9	363,90	CS 07090	25
25	107,1	101,33	CS 07025	10	49	203,7	198,22	CS 07049	20	100	410,3	404,31	CS 07100	25
26	111,2	105,36	CS 07026	12	50	207,8	202,26	CS 07050	20	110	450,7	444,74	CS 07110	25
27	115,4	109,40	CS 07027	12	51	211,8	206,30	CS 07051	20	114	466,9	460,90	CS 07114	25
28	119,4	113,42	CS 07028	12	52	215,9	210,34	CS 07052	20	120	491,2	485,16	CS 07120	25
29	123,4	117,46	CS 07029	12	53	219,9	214,37	CS 07053	20	125	511,4	505,37	CS 07125	25
30	127,5	121,50	CS 07030	12	54	224,0	218,43	CS 07054	20					
31	131,5	125,54	CS 07031	12	55	228,0	222,46	CS 07055	20					

# Corone / Plate wheels

## Kettenradscheiben / Disques / Discos

Corone per catene semplici, a rulli secondo:  
DIN 8187 - ISO/R 606  
Corone tornite sui lati, dentate con creatore.

Plate wheels for simplex chain to:  
DIN 8187 - ISO/R 606  
Plate Wheels turned on both sides and toothed by milling cutter.

Kettenradscheiben für Simplex-Rollenkette nach:  
DIN 8187 - ISO/R 606  
Seitlich plan gedrehte, wälzgefräste Zahnkränze.

Disques pour chaînes simples à rouleaux suivant les normes:  
DIN 8187 - ISO/R 606  
Disques tournés sur les flancs, dentés à la fraise.

Discos para cadena simple de rodillos según:  
DIN 8187 - ISO/R 606  
Discos torneadas en los lados, dientes obtenidos con fresa madre.



1/2" x 1/4"

085-1 12,7 x 6,4 x 7,75 mm

CATENA:	CHAIN:	KETTE:	CHAÎNE:	CADENA:	ISO mm
Passo	Pitch	Teilung	Pas	Paso	12,70
Larghezza interna	Internal width	Innere Breite	Largeur interieure	Ancho interno	6,40
Rullo ø	Roller ø	Rollen ø	ø du rouleau	Rodillo ø	7,75

CORONE	PLATE WHEELS	KETTENRADSCHIEBEN	DISQUES	DISCOS	ISO mm
Raggio dente r	Tooth radius r	Radius r	Rayon de denture r	Radio diente r	r 13,0
Larghezza raggio C	Radius width C	Breite C	Largeur de rayon C	Ancho radio C	C 1,3
Largh. dente h <sub>1</sub>	Tooth width h <sub>1</sub>	Zahnbreite h <sub>1</sub>	Larg. de denture h <sub>1</sub>	Ancho diente h <sub>1</sub>	h <sub>1</sub> 5,9
Largh. dente L	Tooth width L	Zahnbreite L	Larg. de denture L	Ancho diente L	L -
Largh. dente h <sub>2</sub>	Tooth width h <sub>2</sub>	Zahnbreite h <sub>2</sub>	Larg. de denture h <sub>2</sub>	Ancho diente h <sub>2</sub>	h <sub>2</sub> -
Largh. dente h <sub>3</sub>	Tooth width h <sub>3</sub>	Zahnbreite h <sub>3</sub>	Larg. de denture h <sub>3</sub>	Ancho diente h <sub>3</sub>	h <sub>3</sub> -
Altezza totale H	Full height H	Gesamt Höhe H	Hauteur totale H	Altura total H	H -

A partire da Z = 90 il disco ruota viene maggiorato, H = 6 mm

From Z = 90 the width of the plate is increased, H = 6 mm

Ab Zähnezahl Z = 90 beträgt die Scheibendicke H = 6 mm

A partir de Z = 90 l'épaisseur du disque est augmenté H = 6 mm

A partir de Z = 90 el disco rueda para cadena queda aumentado, H = 6 mm

Z	D <sub>s</sub>	D <sub>p</sub>	Simplex		Z	D <sub>s</sub>	D <sub>p</sub>	Simplex		Z	D <sub>s</sub>	D <sub>p</sub>	Simplex	
			cod.	D				cod.	D				cod.	D
8	38,5	33,18	CS 08008	8	32	135,5	129,56	CS 08032	12	56	232,1	226,50	CS 08056	20
9	41,5	37,13	CS 08009	8	33	139,6	133,60	CS 08033	12	57	236,1	230,54	CS 08057	20
10	46,2	41,10	CS 08010	8	34	143,6	137,64	CS 08034	12	58	240,2	234,58	CS 08058	20
11	49,6	45,07	CS 08011	8	35	147,6	141,68	CS 08035	12	59	244,2	238,62	CS 08059	20
12	53,9	49,07	CS 08012	8	36	151,7	145,72	CS 08036	16	60	248,2	242,66	CS 08060	20
13	58,4	53,06	CS 08013	8	37	155,7	149,76	CS 08037	16	62	256,7	250,75	CS 08062	20
14	62,8	57,07	CS 08014	8	38	159,8	153,80	CS 08038	16	64	264,8	258,82	CS 08064	20
15	66,8	61,09	CS 08015	8	39	163,8	157,83	CS 08039	16	65	268,8	262,86	CS 08065	20
16	70,9	65,10	CS 08016	10	40	167,8	161,87	CS 08040	16	66	272,9	266,90	CS 08066	25
17	74,9	69,11	CS 08017	10	41	171,4	165,91	CS 08041	16	68	280,9	274,99	CS 08068	25
18	78,9	73,14	CS 08018	10	42	175,4	169,95	CS 08042	16	70	289,0	283,07	CS 08070	25
19	82,9	77,16	CS 08019	10	43	179,5	173,99	CS 08043	16	72	297,1	291,16	CS 08072	25
20	86,9	81,19	CS 08020	10	44	183,5	178,03	CS 08044	16	76	313,3	307,33	CS 08076	25
21	91,0	85,22	CS 08021	10	45	187,5	182,07	CS 08045	16	78	321,4	315,40	CS 08078	25
22	95,0	89,24	CS 08022	10	46	191,6	186,10	CS 08046	20	80	329,4	323,48	CS 08080	25
23	99,0	93,27	CS 08023	10	47	195,6	190,14	CS 08047	20	85	349,7	343,70	CS 08085	25
24	103,0	97,29	CS 08024	10	48	199,7	194,18	CS 08048	20	90	369,9	363,90	CS 08090	25
25	107,1	101,33	CS 08025	10	49	203,7	198,22	CS 08049	20	100	410,3	404,31	CS 08100	25
26	111,2	105,36	CS 08026	12	50	207,8	202,26	CS 08050	20	110	450,7	444,74	CS 08110	25
27	115,4	109,40	CS 08027	12	51	211,8	206,30	CS 08051	20	114	466,9	460,90	CS 08114	25
28	119,4	113,42	CS 08028	12	52	215,9	210,34	CS 08052	20	120	491,2	485,16	CS 08120	25
29	123,4	117,46	CS 08029	12	53	219,9	214,37	CS 08053	20	125	511,4	505,37	CS 08125	25
30	127,5	121,50	CS 08030	12	54	224,0	218,43	CS 08054	20					
31	131,5	125,54	CS 08031	12	55	228,0	222,46	CS 08055	20					

# Corone / Plate wheels Kettenradscheiben / Disques / Discos

Corone per catene semplici, a rulli secondo:  
DIN 8187 - ISO/R 606  
Corone tornite sui lati, dentate con creatore.

Plate wheels for simplex chain to:  
DIN 8187 - ISO/R 606  
Plate Wheels turned on both sides and toothed by milling cutter.

Kettenradscheiben für Simplex-Rollenkette nach:  
DIN 8187 - ISO/R 606  
Seitlich plan gedrehte, wälzgefräste Zahnkränze.

Disques pour chaînes simples à rouleaux suivant les normes:  
DIN 8187 - ISO/R 606  
Disques tournés sur les flancs, dentés à la fraise.

Discos para cadena simple de rodillos según:  
DIN 8187 - ISO/R 606  
Discos torneadas en los lados, dientes obtenidos con fresa madre.



**1/2" x 1/4"**

**085-1 12,7 x 6,4 x 8,51 mm**

CATENA:	CHAIN:	KETTE:	CHAÎNE:	CADENA:	ISO mm
Passo	Pitch	Teilung	Pas	Paso	12,70
Larghezza interna	Internal width	Innere Breite	Largeur interieure	Ancho interno	6,40
Rullo ø	Roller ø	Rollen ø	ø du rouleau	Rodillo ø	8,51

CORONE	PLATE WHEELS	KETTENRADSCHLEIBEN	DISQUES	DISCOS	ISO mm
Raggio dente r	Tooth radius r	Radius r	Rayon de denture r	Radio diente r	r 13,0
Larghezza raggio C	Radius width C	Breite C	Largeur de rayon C	Ancho radio C	C 1,3
Largh. dente h <sub>1</sub>	Tooth width h <sub>1</sub>	Zahnbreite h <sub>1</sub>	Larg. de denture h <sub>1</sub>	Ancho diente h <sub>1</sub>	h <sub>1</sub> 5,9
Largh. dente L	Tooth width L	Zahnbreite L	Larg. de denture L	Ancho diente L	L -
Largh. dente h <sub>2</sub>	Tooth width h <sub>2</sub>	Zahnbreite h <sub>2</sub>	Larg. de denture h <sub>2</sub>	Ancho diente h <sub>2</sub>	h <sub>2</sub> -
Largh. dente h <sub>3</sub>	Tooth width h <sub>3</sub>	Zahnbreite h <sub>3</sub>	Larg. de denture h <sub>3</sub>	Ancho diente h <sub>3</sub>	h <sub>3</sub> -
Altezza totale H	Full height H	Gesamt Höhe H	Hauteur totale H	Altura total H	H -

A partire da Z = 90 il disco ruota viene maggiorato, H = 6 mm

From Z = 90 the width of the plate is increased, H = 6 mm

Ab Zähnezahl Z = 90 beträgt die Scheibendicke H = 6 mm

A partir de Z = 90 l'épaisseur du disque est augmenté H = 6 mm

A partir de Z = 90 el disco rueda para cadena queda aumentado, H = 6 mm

Z	D <sub>c</sub>	D <sub>p</sub>	Simplex		Z	D <sub>c</sub>	D <sub>p</sub>	Simplex		Z	D <sub>c</sub>	D <sub>p</sub>	Simplex	
			cod.	D				cod.	D				cod.	D
8	37,2	33,18	CS 17008	8	32	134,2	129,56	CS 17032	12	56	232,2	226,50	CS 17056	20
9	41,0	37,13	CS 17009	8	33	138,4	133,60	CS 17033	12	57	236,4	230,54	CS 17057	20
10	45,2	41,10	CS 17010	8	34	142,6	137,64	CS 17034	12	58	240,5	234,58	CS 17058	20
11	48,7	45,07	CS 17011	8	35	146,7	141,68	CS 17035	12	59	244,5	238,62	CS 17059	20
12	53,0	49,07	CS 17012	8	36	151,0	145,72	CS 17036	16	60	248,6	242,66	CS 17060	20
13	57,4	53,06	CS 17013	8	37	154,6	149,76	CS 17037	16	62	256,9	250,75	CS 17062	20
14	61,8	57,07	CS 17014	8	38	158,6	153,80	CS 17038	16	64	265,1	258,82	CS 17064	20
15	65,5	61,09	CS 17015	8	39	162,7	157,83	CS 17039	16	65	269,0	262,86	CS 17065	20
16	69,5	65,10	CS 17016	10	40	166,8	161,87	CS 17040	16	66	273,0	266,90	CS 17066	25
17	73,6	69,11	CS 17017	10	41	171,4	165,91	CS 17041	16	68	281,0	274,99	CS 17068	25
18	77,8	73,14	CS 17018	10	42	175,4	169,95	CS 17042	16	70	289,0	283,07	CS 17070	25
19	81,7	77,16	CS 17019	10	43	179,7	173,99	CS 17043	16	72	297,2	291,16	CS 17072	25
20	85,8	81,19	CS 17020	10	44	183,8	178,03	CS 17044	16	76	313,3	307,33	CS 17076	25
21	89,7	85,22	CS 17021	10	45	188,0	182,07	CS 17045	16	78	321,4	315,40	CS 17078	25
22	93,8	89,24	CS 17022	10	46	192,1	186,10	CS 17046	20	80	329,4	323,48	CS 17080	25
23	98,2	93,27	CS 17023	10	47	196,2	190,14	CS 17047	20	85	349,0	343,70	CS 17085	25
24	101,8	97,29	CS 17024	10	48	200,3	194,18	CS 17048	20	90	369,9	363,90	CS 17090	25
25	105,8	101,33	CS 17025	10	49	204,3	198,22	CS 17049	20	100	410,3	404,31	CS 17100	25
26	110,0	105,36	CS 17026	12	50	208,3	202,26	CS 17050	20	110	450,7	444,74	CS 17110	25
27	114,0	109,40	CS 17027	12	51	212,1	206,30	CS 17051	20	114	466,9	460,90	CS 17114	25
28	118,0	113,42	CS 17028	12	52	216,1	210,34	CS 17052	20	120	491,2	485,16	CS 17120	25
29	122,0	117,46	CS 17029	12	53	220,2	214,37	CS 17053	20	125	511,3	505,37	CS 17125	25
30	126,1	121,50	CS 17030	12	54	224,1	218,43	CS 17054	20					
31	130,2	125,54	CS 17031	12	55	228,1	222,46	CS 17055	20					











# Corone / Plate wheels

## Kettenradscheiben / Disques / Discos

Corone per catene semplici, doppie e triple a rulli secondo: DIN 8187 - ISO/R 606

Corone tornite sui lati, dentate con creatore.

Plate wheels for simplex duplex and triplex chain to: DIN 8187 - ISO/R 606

Plate Wheels turned on both sides and toothed by milling cutter.

Kettenradscheiben für Simplex-Duplex-Triplex-Rollenkette nach: DIN 8187 - ISO/R 606

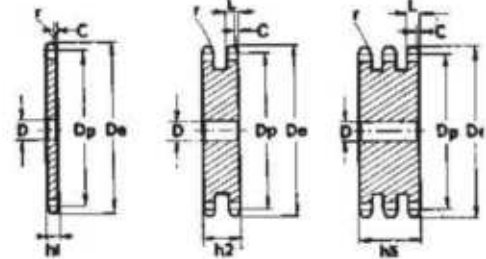
Seitlich plan gedrehte, wälzgefräste Zahnkränze.

Disques pour chaînes simples, doubles et triples à rouleaux suivant les normes: DIN 8187 - ISO/R 606

Disques tournés sur les flancs, dentés à la fraise.

Discos para cadena simple, doble y triple de rodillos segun: DIN 8187 - ISO/R 606

Discos torneadas en los lados, dientes obtenidos con fresa madre.



1"1/4 x 3/4"

20B - 1-2-3 31,75 x 19,56 mm

CATENA:	CHAIN:	KETTE:	CHAÎNE:	CADENA:	ISO mm
Passo	Pitch	Teilung	Pas	Paso	31,75
Larghezza interna	Internal width	Innere Breite	Largeur interieure	Ancho interno	19,56
Rullo ø	Roller ø	Rollen ø	ø du rouleau	Rodillo ø	19,05

CORONE	PLATE WHEELS	KETTENRADSCHIEBEN	DISQUES	DISCOS	ISO mm
Raggio dente r	Tooth radius r	Radius r	Rayon de denture r	Radio diente r	32,0
Larghezza raggio C	Radius width C	Breite C	Largeur de rayon C	Ancho radio C	3,5
Largh. dente h <sub>1</sub>	Tooth width h <sub>1</sub>	Zahnbreite h <sub>1</sub>	Larg. de denture h <sub>1</sub>	Ancho diente h <sub>1</sub>	18,5
Largh. dente L	Tooth width L	Zahnbreite L	Larg. de denture L	Ancho diente L	18,2
Largh. dente h <sub>2</sub>	Tooth width h <sub>2</sub>	Zahnbreite h <sub>2</sub>	Larg. de denture h <sub>2</sub>	Ancho diente h <sub>2</sub>	54,6
Largh. dente h <sub>3</sub>	Tooth width h <sub>3</sub>	Zahnbreite h <sub>3</sub>	Larg. de denture h <sub>3</sub>	Ancho diente h <sub>3</sub>	91,0
Altezza totale H	Full height H	Gesamt Höhe H	Hauteur totale H	Altura total H	-

Z	D <sub>e</sub>	D <sub>p</sub>	Simplex		Duplex		Triplex	
			cod.	D	cod.	D	cod.	D
8	98,1	82,96	CS 13008	16	CD 13008	20	CT 13008	20
9	108,0	92,84	CS 13009	16	CD 13009	20	CT 13009	20
10	117,9	102,74	CS 13010	16	CD 13010	20	CT 13010	20
11	127,8	112,68	CS 13011	20	CD 13011	20	CT 13011	20
12	137,8	122,68	CS 13012	20	CD 13012	20	CT 13012	20
13	147,8	132,65	CS 13013	20	CD 13013	20	CT 13013	20
14	157,8	142,68	CS 13014	20	CD 13014	20	CT 13014	20
15	167,9	152,72	CS 13015	20	CD 13015	20	CT 13015	20
16	177,9	162,75	CS 13016	20	CD 13016	25	CT 13016	25
17	187,9	172,78	CS 13017	20	CD 13017	25	CT 13017	25
18	198,0	182,85	CS 13018	20	CD 13018	25	CT 13018	25
19	208,1	192,91	CS 13019	20	CD 13019	25	CT 13019	25
20	218,1	202,98	CS 13020	20	CD 13020	25	CT 13020	25
21	228,2	213,04	CS 13021	25	CD 13021	25	CT 13021	25
22	238,3	223,11	CS 13022	25	CD 13022	25	CT 13022	25
23	248,3	233,17	CS 13023	25	CD 13023	25	CT 13023	25
24	258,4	243,23	CS 13024	25	CD 13024	25	CT 13024	25
25	268,5	253,33	CS 13025	25	CD 13025	25	CT 13025	25
26	278,6	263,40	CS 13026	25	CD 13026	25	CT 13026	25
27	288,6	273,48	CS 13027	25	CD 13027	25	CT 13027	25
28	298,7	283,56	CS 13028	25	CD 13028	25	CT 13028	25
29	308,8	293,65	CS 13029	25	CD 13029	25	CT 13029	25
30	318,9	303,75	CS 13030	25	CD 13030	25	CT 13030	25
31	329,0	313,85	CS 13031	25	CD 13031	25	CT 13031	30
32	339,1	323,91	CS 13032	25	CD 13032	25	CT 13032	30
33	349,2	334,01	CS 13033	25	CD 13033	25	CT 13033	30
34	359,3	334,10	CS 13034	25	CD 13034	25	CT 13034	30
35	369,4	354,20	CS 13035	25	CD 13035	25	CT 13035	30
36	379,5	364,30	CS 13036	25	CD 13036	30	CT 13036	30
37	389,5	374,39	CS 13037	25	CD 13037	30	CT 13037	30
38	399,6	384,49	CS 13038	25	CD 13038	30	CT 13038	30
39	409,7	394,59	CS 13039	25	CD 13039	30	CT 13039	30
40	419,8	404,66	CS 13040	25	CD 13040	30	CT 13040	30
41	429,9	414,78	CS 13041	30				
42	440,0	424,88	CS 13042	30	CD 13042	30	CT 13042	40
43	450,1	434,97	CS 13043	30				

Z	D <sub>e</sub>	D <sub>p</sub>	Simplex		Duplex		Triplex	
			cod.	D	cod.	D	cod.	D
44	460,2	445,07	CS 13044	30				
45	470,3	455,17	CS 13045	30	CD 13045	30	CT 13045	40
46	480,4	465,26	CS 13046	30	CD 13046	30	CT 13046	40
47	490,5	475,36	CS 13047	30				
48	500,6	485,46	CS 13048	30	CD 13048	30	CT 13048	40
49	510,7	495,55	CS 13049	30				
50	520,8	505,65	CS 13050	30	CD 13050	30	CT 13050	40
51	530,9	515,75	CS 13051	30				
52	541,0	525,84	CS 13052	30	CD 13052	30	CT 13052	40
53	551,1	535,94	CS 13053	30				
54	561,2	546,07	CS 13054	30				
55	571,3	556,16	CS 13055	30	CD 13055	30	CT 13055	40
56	581,4	566,26	CS 13056	30				
57	591,5	576,36	CS 13057	30	CD 13057	30	CT 13057	40
58	601,6	586,45	CS 13058	30				
59	611,7	596,55	CS 13059	30				
60	621,8	606,65	CS 13060	30	CD 13060	30	CT 13060	40
62	642,0	626,87	CS 13062	30				
64	662,2	647,06	CS 13064	30				
65	672,3	657,16	CS 13065	30	CD 13065	30	CT 13065	40
66	682,4	667,26	CS 13066	30				
68	702,6	687,48	CS 13068	30				
70	722,8	707,67	CS 13070	30	CD 13070	30	CT 13070	40
72	743,1	727,90	CS 13072	30				
75	773,3	758,19	CS 13075	30				
76	783,5	768,32	CS 13076	30	CD 13076	30	CT 13076	40
80	823,9	808,72	CS 13080	30	CD 13080	30	CT 13080	40
85	874,4	859,25	CS 13085	30				
90	924,9	909,76	CS 13090	30				
95	975,2	960,28	CS 13095	30	CD 13095	30	CT 13095	40
100	1026,0	1010,79	CS 13100	30				
114	1167,4	1152,26	CS 13114	30	CD 13114	30	CT 13114	40

## Corone / Plate wheels Kettenradscheiben / Disques / Discos

Corone per catene semplici, doppie e triple a rulli secondo: DIN 8187 - ISO/R 606

Corone tornite sui lati, dentate con creatore.

Plate wheels for simplex duplex and triplex chain to: DIN 8187 - ISO/R 606

Plate Wheels turned on both sides and toothed by milling cutter.

Kettenradscheiben für Simplex-Duplex-Triplex-Rollenkette nach: DIN 8187 - ISO/R 606

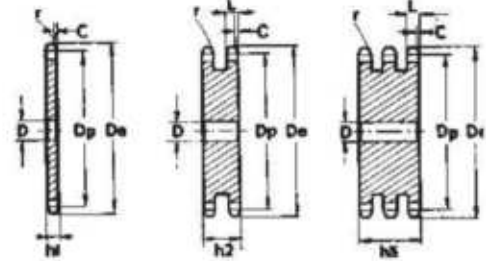
Seitlich plan gedrehte, wälzgefräste Zahnkränze.

Disques pour chaînes simples, doubles et triples à rouleaux suivant les normes: DIN 8187 - ISO/R 606

Disques tournés sur les flancs, dentés à la fraise.

Discos para cadena simple, doble y triple de rodillos según: DIN 8187 - ISO/R 606

Discos torneadas en los lados, dientes obtenidos con fresa madre.



1"1/2 x 1"

24B - 1-2-3 38,1 x 25,4 mm

CATENA:	CHAIN:	KETTE:	CHAÎNE:	CADENA:	ISO mm
Passo	Pitch	Teilung	Pas	Paso	38,1
Larghezza interna	Internal width	Innere Breite	Largeur interieure	Ancho interno	25,4
Rullo ø	Roller ø	Rollen ø	ø du rouleau	Rodillo ø	25,4

CORONE	PLATE WHEELS	KETTENRADSCHLEIBEN	DISQUES	DISCOS	ISO mm
Raggio dente r	Tooth radius r	Radius r	Rayon de denture r	Radio diente r	r 38,0
Larghezza raggio C	Radius width C	Breite C	Largeur de rayon C	Ancho radio C	C 4,0
Largh. dente h <sub>1</sub>	Tooth width h <sub>1</sub>	Zahnbreite h <sub>1</sub>	Larg. de denture h <sub>1</sub>	Ancho diente h <sub>1</sub>	h <sub>1</sub> 24,1
Largh. dente L	Tooth width L	Zahnbreite L	Larg. de denture L	Ancho diente L	L 23,6
Largh. dente h <sub>2</sub>	Tooth width h <sub>2</sub>	Zahnbreite h <sub>2</sub>	Larg. de denture h <sub>2</sub>	Ancho diente h <sub>2</sub>	h <sub>2</sub> 72,0
Largh. dente h <sub>3</sub>	Tooth width h <sub>3</sub>	Zahnbreite h <sub>3</sub>	Larg. de denture h <sub>3</sub>	Ancho diente h <sub>3</sub>	h <sub>3</sub> 120,3
Altezza totale H	Full height H	Gesamt Höhe H	Hauteur totale H	Altura total H	H -

Z	D <sub>e</sub>	D <sub>p</sub>	Simplex		Duplex		Triplex	
			cod.	D	cod.	D	cod.	D
8	115,0	99,55	CS 14008	20	CD 14008	25	CT 14008	25
9	126,4	111,40	CS 14009	20	CD 14009	25	CT 14009	25
10	138,0	123,29	CS 14010	20	CD 14010	25	CT 14010	25
11	150,0	135,21	CS 14011	20	CD 14011	25	CT 14011	25
12	162,0	147,22	CS 14012	20	CD 14012	25	CT 14012	25
13	174,2	159,18	CS 14013	20	CD 14013	25	CT 14013	25
14	186,2	171,22	CS 14014	20	CD 14014	25	CT 14014	25
15	198,2	183,26	CS 14015	20	CD 14015	25	CT 14015	25
16	210,3	195,30	CS 14016	25	CD 14016	25	CT 14016	25
17	222,3	207,34	CS 14017	25	CD 14017	25	CT 14017	25
18	234,3	219,42	CS 14018	25	CD 14018	25	CT 14018	25
19	246,5	231,49	CS 14019	25	CD 14019	25	CT 14019	25
20	258,6	243,57	CS 14020	25	CD 14020	25	CT 14020	25
21	270,6	255,65	CS 14021	25	CD 14021	25	CT 14021	30
22	282,7	267,73	CS 14022	25	CD 14022	25	CT 14022	30
23	294,8	279,80	CS 14023	25	CD 14023	25	CT 14023	30
24	306,8	291,88	CS 14024	25	CD 14024	25	CT 14024	30
25	319,0	304,00	CS 14025	25	CD 14025	25	CT 14025	30
26	331,0	316,08	CS 14026	30	CD 14026	30	CT 14026	30
27	343,2	328,19	CS 14027	30	CD 14027	30	CT 14027	30
28	355,2	340,27	CS 14028	30	CD 14028	30	CT 14028	30
29	367,3	352,38	CS 14029	30	CD 14029	30	CT 14029	30
30	379,5	364,50	CS 14030	30	CD 14030	30	CT 14030	40
31	391,6	376,62	CS 14031	30	CD 14031	40	CT 14031	40
32	403,7	388,69	CS 14032	30	CD 14032	40	CT 14032	40
33	415,8	400,81	CS 14033	30	CD 14033	40	CT 14033	40
34	427,8	412,93	CS 14034	30	CD 14034	40	CT 14034	40
35	440,0	425,04	CS 14035	30	CD 14035	40	CT 14035	40
36	452,0	437,16	CS 14036	30	CD 14036	40	CT 14036	40
37	464,2	449,27	CS 14037	30	CD 14037	40	CT 14037	40
38	476,2	461,39	CS 14038	30	CD 14038	40	CT 14038	40
39	488,5	473,50	CS 14039	30	CD 14039	40	CT 14039	40
40	500,6	485,62	CS 14040	30	CD 14040	40	CT 14040	40

Z	D <sub>e</sub>	D <sub>p</sub>	Simplex		Duplex		Triplex	
			cod.	D	cod.	D	cod.	D
41	512,6	497,74	CS 14041	30				
42	524,7	509,85	CS 14042	30	CD 14042	40	CT 14042	40
43	536,8	521,97	CS 14043	30				
44	549,0	534,08	CS 14044	30				
45	561,2	546,20	CS 14045	30	CD 14045	40	CT 14045	40
46	573,3	558,32	CS 14046	30	CD 14046	40	CT 14046	40
47	585,4	570,43	CS 14047	30				
48	597,4	582,55	CS 14048	30	CD 14048	40	CT 14048	40
49	609,5	594,66	CS 14049	30				
50	621,7	606,78	CS 14050	30	CD 14050	40	CT 14050	40
51	633,8	618,89	CS 14051	30				
52	646,0	631,01	CS 14052	30				
53	658,0	643,13	CS 14053	30				
54	670,2	655,25	CS 14054	30				
55	682,3	667,40	CS 14055	30	CD 14055	40	CT 14055	40
56	694,4	679,50	CS 14056	30				
57	706,5	691,73	CS 14057	30	CD 14057	40	CT 14057	40
58	718,6	703,74	CS 14058	30				
59	730,7	715,86	CS 14059	30				
60	742,8	727,97	CS 14060	30	CD 14060	40	CT 14060	40
62	767,2	752,24	CS 14062	40				
64	791,3	776,48	CS 14064	40				
65	803,4	788,59	CS 14065	40	CD 14065	40	CT 14065	40
66	815,6	800,17	CS 14066	40				
68	839,8	824,98	CS 14068	40				
70	864,2	849,21	CS 14070	40				
72	888,4	873,48	CS 14072	40				
75	924,8	909,83	CS 14075	40				
76	936,9	921,98	CS 14076	40	CD 14076	40	CT 14076	40
80	985,4	970,44	CS 14080	40				
85	1046,0	1031,10	CS 14085	40				
95	1167,3	1152,33	CS 14095	40				

# Corone / Plate wheels

## Kettenradscheiben / Disques / Discos

Corone per catene semplici, doppie e triple a rulli secondo: DIN 8187 - ISO/R 606

Corone tornite sui lati, dentate con creatore.

Plate wheels for simplex duplex and triplex chain to: DIN 8187 - ISO/R 606

Plate Wheels turned on both sides and toothed by milling cutter.

Kettenradscheiben für Simplex-Duplex-Triplex-Rollenkette nach: DIN 8187 - ISO/R 606

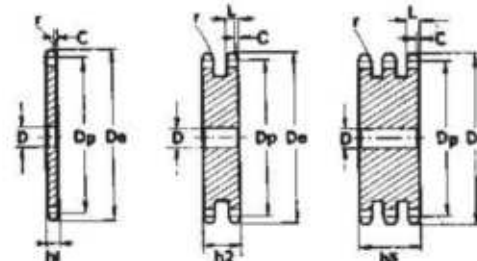
Seitlich plan gedrehte, wälzgefräste Zahnkränze.

Disques pour chaînes simples, doubles et triples à rouleaux suivant les normes: DIN 8187 - ISO/R 606

Disques tournés sur les flancs, dentés à la fraise.

Discos para cadena simple, doble y triple de rodillos según: DIN 8187 - ISO/R 606

Discos torneadas en los lados, dientes obtenidos con fresa madre.



1"3/4 x 1"1/4

28B - 1-2-3 44,45 x 30,99 mm

CATENA:	CHAIN:	KETTE:	CHAÎNE:	CADENA:	ISO mm
Passo	Pitch	Teilung	Pas	Paso	44,45
Larghezza interna	Internal width	Innere Breite	Largeur interieure	Ancho interno	30,99
Rullo ø	Roller ø	Rollen ø	ø du rouleau	Rodillo ø	27,94

CORONE	PLATE WHEELS	KETTENRADSCHIEBEN	DISQUES	DISCOS	ISO mm
Raggio dente r	Tooth radius r	Radius r	Rayon de denture r	Radio diente r	r 44,0
Larghezza raggio C	Radius width C	Breite C	Largeur de rayon C	Ancho radio C	C 5,0
Largh. dente h <sub>1</sub>	Tooth width h <sub>1</sub>	Zahnbreite h <sub>1</sub>	Larg. de denture h <sub>1</sub>	Ancho diente h <sub>1</sub>	h <sub>1</sub> 29,4
Largh. dente L	Tooth width L	Zahnbreite L	Larg. de denture L	Ancho diente L	L 28,8
Largh. dente h <sub>2</sub>	Tooth width h <sub>2</sub>	Zahnbreite h <sub>2</sub>	Larg. de denture h <sub>2</sub>	Ancho diente h <sub>2</sub>	h <sub>2</sub> 88,4
Largh. dente h <sub>3</sub>	Tooth width h <sub>3</sub>	Zahnbreite h <sub>3</sub>	Larg. de denture h <sub>3</sub>	Ancho diente h <sub>3</sub>	h <sub>3</sub> 148,0
Altezza totale H	Full height H	Gesamt Höhe H	Hauteur totale H	Altura total H	H -

Z	D <sub>e</sub>	D <sub>p</sub>	Simplex		Duplex		Triplex	
			cod.	D	cod.	D	cod.	D
8	132,0	116,15	CS 15008	25	CD 15008	25	CT 15008	25
9	148,4	129,96	CS 15009	25	CD 15009	25	CT 15009	25
10	162,3	143,85	CS 15010	25	CD 15010	25	CT 15010	25
11	176,3	157,77	CS 15011	25	CD 15011	25	CT 15011	30
12	189,3	171,74	CS 15012	25	CD 15012	25	CT 15012	30
13	204,2	185,75	CS 15013	25	CD 15013	25	CT 15013	30
14	218,2	199,76	CS 15014	25	CD 15014	25	CT 15014	30
15	232,3	213,79	CS 15015	25	CD 15015	25	CT 15015	30
16	246,3	227,84	CS 15016	30	CD 15016	30	CT 15016	30
17	260,0	241,90	CS 15017	30	CD 15017	30	CT 15017	30
18	274,0	255,98	CS 15018	30	CD 15018	30	CT 15018	30
19	289,0	270,06	CS 15019	30	CD 15019	30	CT 15019	30
20	303,0	284,15	CS 15020	30	CD 15020	30	CT 15020	30
21	317,0	298,24	CS 15021	30	CD 15021	30	CT 15021	30
22	331,0	312,34	CS 15022	30	CD 15022	30	CT 15022	30
23	345,0	326,44	CS 15023	30	CD 15023	30	CT 15023	30
24	359,0	340,55	CS 15024	30	CD 15024	30	CT 15024	30
25	373,0	354,66	CS 15025	30	CD 15025	30	CT 15025	40
26	387,0	368,77	CS 15026	30	CD 15026	30	CT 15026	40
27	401,0	382,88	CS 15027	30	CD 15027	30	CT 15027	40
28	416,0	397,00	CS 15028	30	CD 15028	30	CT 15028	40
29	430,0	411,12	CS 15029	30	CD 15029	30	CT 15029	40
30	444,0	425,24	CS 15030	30	CD 15030	30	CT 15030	40
31	458,0	439,37	CS 15031	30	CD 15031	30	CT 15031	40
32	472,0	453,49	CS 15032	30	CD 15032	30	CT 15032	40
33	486,0	467,62	CS 15033	30	CD 15033	30	CT 15033	40
34	500,0	481,75	CS 15034	30	CD 15034	30	CT 15034	40
35	514,0	495,88	CS 15035	30	CD 15035	30	CT 15035	40
36	529,0	510,01	CS 15036	30	CD 15036	30	CT 15036	40
37	543,0	524,13	CS 15037	30	CD 15037	30	CT 15037	40
38	557,0	538,27	CS 15038	30	CD 15038	30	CT 15038	40
39	571,0	552,40	CS 15039	30	CD 15039	30	CT 15039	40
40	585,0	566,54	CS 15040	30	CD 15040	30	CT 15040	40
45	656,0	637,22	CS 15045	30	CD 15045	30	CT 15045	40
50	726,0	707,91	CS 15050	30	CD 15050	30	CT 15050	40
57	825,0	806,90	CS 15057	40	CD 15057	40	CT 15057	40
60	869,0	849,32	CS 15060	40	CD 15060	40	CT 15060	40
76	1095,0	1075,62	CS 15076	40	CD 15076	40	CT 15076	40

## Corone / Plate wheels Kettenradscheiben / Disques / Discos

Corone per catene semplici, doppie e triple a rulli secondo: DIN 8187 - ISO/R 606

**Corone tornite sui lati, dentate con creatore.**

Plate wheels for simplex duplex and triplex chain to: DIN 8187 - ISO/R 606

**Plate Wheels turned on both sides and toothed by milling cutter.**

Kettenradscheiben für Simplex-Duplex-Triplex-Rollenkette nach: DIN 8187 - ISO/R 606

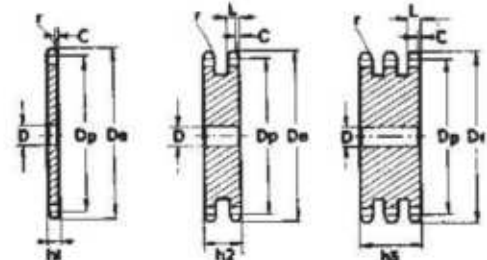
**Seitlich plan gedrehte, wälzgefräste Zahnkränze.**

Disques pour chaînes simples, doubles et triples à rouleaux suivant les normes: DIN 8187 - ISO/R 606

**Disques tournés sur les flancs, dentés à la fraise.**

Discos para cadena simple, doble y triple de rodillos según: DIN 8187 - ISO/R 606

**Discos torneadas en los lados, dientes obtenidos con fresa madre.**



**2" x 1 1/4**

**32B - 1-2-3 50,8 x 30,99 mm**

CATENA:	CHAIN:	KETTE:	CHAÎNE:	CADENA:	ISO mm
Passo	Pitch	Teilung	Pas	Paso	50,8
Larghezza interna	Internal width	Innere Breite	Largeur interieure	Ancho interno	30,99
Rullo ø	Roller ø	Rollen ø	ø du rouleau	Rodillo ø	29,21

CORONE	PLATE WHEELS	KETTENRADSCHLEIBEN	DISQUES	DISCOS	ISO mm
Raggio dente r	Tooth radius r	Radius r	Rayon de denture r	Radio diente r	r 51
Larghezza raggio C	Radius width C	Breite C	Largeur de rayon C	Ancho radio C	C 6
Largh. dente h <sub>1</sub>	Tooth width h <sub>1</sub>	Zahnbreite h <sub>1</sub>	Larg. de denture h <sub>1</sub>	Ancho diente h <sub>1</sub>	h <sub>1</sub> 29,4
Largh. dente L	Tooth width L	Zahnbreite L	Larg. de denture L	Ancho diente L	L 28,8
Largh. dente h <sub>2</sub>	Tooth width h <sub>2</sub>	Zahnbreite h <sub>2</sub>	Larg. de denture h <sub>2</sub>	Ancho diente h <sub>2</sub>	h <sub>2</sub> 87,4
Largh. dente h <sub>3</sub>	Tooth width h <sub>3</sub>	Zahnbreite h <sub>3</sub>	Larg. de denture h <sub>3</sub>	Ancho diente h <sub>3</sub>	h <sub>3</sub> 146
Altezza totale H	Full height H	Gesamt Höhe H	Hauteur totale H	Altura total H	H -

Z	D <sub>e</sub>	D <sub>p</sub>	Simplex		Duplex		Triplex	
			cod.	D	cod.	D	cod.	D
8	153,2	132,74	CS 16008	25	CD 16008	25	CT 16008	25
9	169,0	148,54	CS 16009	25	CD 16009	25	CT 16009	25
10	185,0	164,39	CS 16010	25	CD 16010	25	CT 16010	25
11	200,8	180,31	CS 16011	30	CD 16011	30	CT 16011	30
12	216,8	196,29	CS 16012	30	CD 16012	30	CT 16012	30
13	232,8	212,29	CS 16013	30	CD 16013	30	CT 16013	30
14	248,8	228,29	CS 16014	30	CD 16014	30	CT 16014	30
15	264,8	244,30	CS 16015	30	CD 16015	30	CT 16015	30
16	280,9	260,40	CS 16016	30	CD 16016	30	CT 16016	30
17	296,9	276,46	CS 16017	30	CD 16017	30	CT 16017	30
18	313,0	292,55	CS 16018	30	CD 16018	30	CT 16018	30
19	329,1	308,66	CS 16019	30	CD 16019	30	CT 16019	30
20	345,2	324,71	CS 16020	30	CD 16020	30	CT 16020	30
21	361,3	340,82	CS 16021	30	CD 16021	30	CT 16021	40
22	377,5	356,98	CS 16022	30	CD 16022	30	CT 16022	40
23	393,6	373,08	CS 16023	30	CD 16023	30	CT 16023	40
24	409,7	389,18	CS 16024	30	CD 16024	30	CT 16024	40
25	425,8	405,33	CS 16025	30	CD 16025	30	CT 16025	40
26	441,9	421,44	CS 16026	30	CD 16026	30	CT 16026	40
27	458,1	437,59	CS 16027	30	CD 16027	30	CT 16027	40
28	474,2	453,69	CS 16028	30	CD 16028	30	CT 16028	40
29	492,0	469,85	CS 16029	30	CD 16029	30	CT 16029	40
30	506,5	486,00	CS 16030	30	CD 16030	30	CT 16030	40
32	538,8	518,27	CS 16032	30				
35	589,5	566,71	CS 16035	30	CD 16035	30	CT 16035	40
38	635,5	615,16	CS 16038	30	CD 16038	30	CT 16038	40
40	670,3	647,47	CS 16040	40	CD 16040	40	CT 16040	40
45	751,0	728,24	CS 16045	40	CD 16045	40	CT 16045	40
50	831,8	809,04	CS 16050	40	CD 16050	40	CT 16050	40
57	945,0	922,16	CS 16057	40	CD 16057	40	CT 16057	40
60	993,4	970,65	CS 16060	40	CD 16060	40	CT 16060	40
76	1252,0	1229,27	CS 16076	40	CD 16076	40	CT 16076	40

**Corone doppie per due catene semplici**  
**Duplex plate wheels for two single chains**  
**Zweifach-Scheiben für zwei Einfach-Ketten**  
**Disques doubles pour deux chaînes simples**  
**Discos dobles para dos cadenas simples**

I valori Di-Dp-De-C-L-r sono da ricavare dalle pagg. 52, 57, 58, 59, 60

See page no. 52, 57, 58, 59, 60 for Di-Dp-De-C-L-r dimensions

Siehe Seite Nr. 52, 57, 58, 59, 60 fuer Di-Dp-De-C-L-r Abmessungen

Voir page no. 52, 57, 58, 59, 60 pour les dimensions Di-Dp-De-C-L-r

Valor Di-Dp-De-C-L-r se deben obtener de las paginas 52, 57, 58, 59, 60

**Materiale C45E**  
**UNI EN 10083-1**

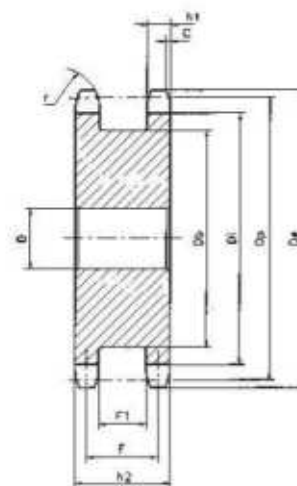
**Material C45E**  
**UNI EN 10083-1**

**Werkstoff C45E**  
**UNI EN 10083-1**

**Matière C45E**  
**UNI EN 10083-1**

**Material C45E**  
**UNI EN 10083-1**

cod.	Z	3/8" x 7/32" - 06B R.6,35				
		h <sub>2</sub>	F	F <sub>1</sub>	Db	D
DS 05013	13	24,3	19	13,7	28	10
DS 05014	14	24,3	19	13,7	31	10
DS 05015	15	24,3	19	13,7	34	10
DS 05017	17	24,3	19	13,7	40	10
DS 05018	18	24,3	19	13,7	43	10
DS 05019	19	24,3	19	13,7	46	10
DS 05020	20	24,3	19	13,7	49	10
DS 05021	21	24,3	19	13,7	52	12
DS 05023	23	24,3	19	13,7	59	12
DS 05025	25	24,3	19	13,7	65	12



cod.	Z	1/2" x 5/16" - 08B R. 8,51				
		h <sub>2</sub>	F	F <sub>1</sub>	Db	D
DS 09012	12	31	23,8	16,6	33	10
DS 09013	13	31	23,8	16,6	37	10
DS 09014	14	31	23,8	16,6	42	10
DS 09015	15	31	23,8	16,6	45	10
DS 09016	16	31	23,8	16,6	49	10
DS 09017	17	31	23,8	16,6	53	12
DS 09018	18	31	23,8	16,6	57	12
DS 09019	19	31	23,8	16,6	62	12
DS 09020	20	31	23,8	16,6	66	12
DS 09021	21	31	23,8	16,6	70	14
DS 09023	23	31	23,8	16,6	78	14
DS 09024	24	31	23,8	16,6	82	14
DS 09025	25	31	23,8	16,6	86	14

cod.	Z	5/8" x 3/8" - 10B R. 10,16				
		h <sub>2</sub>	F	F <sub>1</sub>	Db	D
DS 10012	12	36,5	27,3	18,1	45	12
DS 10013	13	36,5	27,3	18,1	50	12
DS 10014	14	36,5	27,3	18,1	55	12
DS 10015	15	36,5	27,3	18,1	60	12
DS 10016	16	36,5	27,3	18,1	65	14
DS 10017	17	36,5	27,3	18,1	70	14
DS 10018	18	36,5	27,3	18,1	75	14
DS 10019	19	36,5	27,3	18,1	80	14
DS 10020	20	36,5	27,3	18,1	85	14
DS 10021	21	36,5	27,3	18,1	90	16
DS 10022	22	36,5	27,3	18,1	95	16
DS 10023	23	36,5	27,3	18,1	100	16
DS 10025	25	36,5	27,3	18,1	110	16

cod.	Z	3/4" x 7/16" - 12B R. 12,07				
		h <sub>2</sub>	F	F <sub>1</sub>	Db	D
DS 11012	12	45	33,9	22,8	53	14
DS 11013	13	45	33,9	22,8	59	14
DS 11014	14	45	33,9	22,8	65	14
DS 11015	15	45	33,9	22,8	71	14
DS 11016	16	45	33,9	22,8	77	14
DS 11017	17	45	33,9	22,8	83	16
DS 11018	18	45	33,9	22,8	89	16
DS 11019	19	45	33,9	22,8	95	16
DS 11020	20	45	33,9	22,8	101	16
DS 11021	21	45	33,9	22,8	107	20
DS 11023	23	45	33,9	22,8	119	20
DS 11025	25	45	33,9	22,8	131	20

cod.	Z	1" x 17,2 - 16B R. 15,88				
		h <sub>2</sub>	F	F <sub>1</sub>	Db	D
DS 12013	13	63,5	47,3	31,1	81	16
DS 12014	14	63,5	47,3	31,1	89	16
DS 12015	15	63,5	47,3	31,1	97	16
DS 12016	16	63,5	47,3	31,1	105	20
DS 12017	17	63,5	47,3	31,1	113	20
DS 12018	18	63,5	47,3	31,1	121	20
DS 12019	19	63,5	47,3	31,1	129	20
DS 12020	20	63,5	47,3	31,1	137	20
DS 12021	21	63,5	47,3	31,1	145	20
DS 12023	23	63,5	47,3	31,1	161	20
DS 12025	25	63,5	47,3	31,1	177	20



# Corone doppie per due catene semplici per bussola conica Duplex taper bored plate wheels for two single chains Zweifach-Scheiben für Spannbuchse für zwei Einfach-Ketten Disques doubles à moyeu amovible pour deux chaînes simples Discos dobles taper para dos cadenas simples

I valori Dp-De-C-h1-r sono da ricavare dalle pagg. 52, 57, 58, 59, 60

See page no. 52, 57, 58, 59, 60 for Dp-De-C-h1-r dimensions

Siehe Seite Nr. 52, 57, 58, 59, 60 für Abmessung Dp-De-C-h1-r

Voir page no. 52, 57, 58, 59, 60 pour les dimensions Dp-De-C-h1-r

Valor Dp-De-C-h1-r se deben obtener de las paginas 52, 57, 58, 59, 60

**Materiale C45E**  
**UNI EN 10083-1**

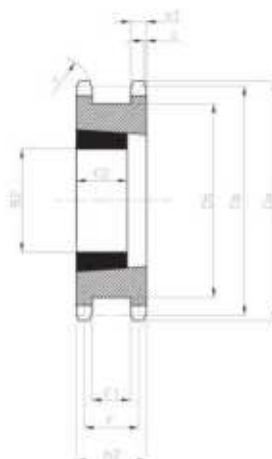
**Material C45E**  
**UNI EN 10083-1**

**Werkstoff C45E**  
**UNI EN 10083-1**

**Matière C45E**  
**UNI EN 10083-1**

**Material C45E**  
**UNI EN 10083-1**

cod.	Z	3/8"x7/32" - 06B R.6,35				per Bussola * for Bush * für Buchse * pour Moyeux * amovibles * para Casquillos cónicos *	F <sub>2</sub>	B <sub>2</sub> (max.)	Peso Weight Gewicht Poids Peso
		h <sub>2</sub>	F	F <sub>1</sub>	Db				
DT05018	18	23,5	18,2	12,9	43	1008	22,2	25	0,19
DT05019	19	23,5	18,2	12,9	46	1008	22,2	25	0,23
DT05020	20	23,5	18,2	12,9	48	1108	22,2	28	0,25
DT05021	21	23,5	18,2	12,9	52	1108	22,2	28	0,31
DT05022	23	23,5	18,2	12,9	58	1108	22,2	28	0,41
DT05023	25	23,5	18,2	12,9	64	1108	22,2	28	0,53



\* Bussola conica esclusa  
Taper bush not included  
ohne Taper Spannbuchse  
Moyeu amovible non inclus  
Casquillo cónico no incluido

cod.	Z	1/2"x5/16" - 08B R.8,51				per Bussola * for Bush * für Buchse * pour Moyeux * amovibles * para Casquillos cónicos *	F <sub>2</sub>	B <sub>2</sub> (max.)	Peso Weight Gewicht Poids Peso
		h <sub>2</sub>	F	F <sub>1</sub>	Db				
DT09015	15	31	23,8	16,6	45	1008	22,2	25	0,36
DT09016	16	31	23,8	16,6	49	1108	22,2	28	0,43
DT09017	17	31	23,8	16,6	53	1108	22,2	28	0,39
DT09018	18	31	23,8	16,6	58	1210	25,4	32	0,48
DT09019	19	31	23,8	16,6	62	1210	25,4	32	0,58
DT09020	20	31	23,8	16,6	66	1210	25,4	32	0,65
DT09021	21	31	23,8	16,6	70	1610	25,4	42	0,63
DT09023	23	31	23,8	16,6	78	1610	25,4	42	0,87
DT09025	25	31	23,8	16,6	86	2012	31,8	50	0,87

cod.	Z	5/8"x3/8" - 10B R.10,16				per Bussola * for Bush * für Buchse * pour Moyeux * amovibles * para Casquillos cónicos *	F <sub>2</sub>	B <sub>2</sub> (max.)	Peso Weight Gewicht Poids Peso
		h <sub>2</sub>	F	F <sub>1</sub>	Db				
DT10012	12	36,5	27,3	18,1	45	1108	22,2	28	0,42
DT10013	13	36,5	27,3	18,1	50	1108	22,2	28	0,53
DT10014	14	36,5	27,3	18,1	55	1108	22,2	28	0,67
DT10015	15	36,5	27,3	18,1	60	1210	25,4	32	0,64
DT10016	16	36,5	27,3	18,1	65	1210	25,4	32	0,81
DT10017	17	36,5	27,3	18,1	70	1610	25,4	42	0,80
DT10018	18	36,5	27,3	18,1	75	1610	25,4	42	0,98
DT10019	19	36,5	27,3	18,1	80	1610	25,4	42	1,17
DT10020	20	36,5	27,3	18,1	85	1610	25,4	42	1,36
DT10021	21	36,5	27,3	18,1	90	2012	31,8	50	1,24
DT10023	23	36,5	27,3	18,1	100	2012	31,8	50	1,69
DT10025	25	36,5	27,3	18,1	110	2012	31,8	50	2,20

cod.	Z	3/4"x7/16" - 12B R.12,7				per Bussola * for Bush * für Buchse * pour Moyeux * amovibles * para Casquillos cónicos *	F <sub>2</sub>	B <sub>2</sub> (max.)	Peso Weight Gewicht Poids Peso
		h <sub>2</sub>	F	F <sub>1</sub>	Db				
DT11013	13	45	33,9	22,8	59	1210	25,4	32	0,94
DT11014	14	45	33,9	22,8	65	1210	25,4	32	1,16
DT11015	15	45	33,9	22,8	71	1610	25,4	42	1,18
DT11016	16	45	33,9	22,8	77	1610	25,4	42	1,49
DT11017	17	45	33,9	22,8	83	1610	25,4	42	1,73
DT11018	18	45	33,9	22,8	89	2012	31,8	50	1,62
DT11019	19	45	33,9	22,8	95	2012	31,8	50	1,95
DT11020	20	45	33,9	22,8	101	2517	44,5	65	1,70
DT11021	21	45	33,9	22,8	107	2517	44,5	65	2,05
DT11023	23	45	33,9	22,8	119	2517	44,5	65	2,85
DT11025	25	45	33,9	22,8	131	2517	44,5	65	3,75

cod.	Z	1"x 17,02 - 16B R.25,4				per Bussola * for Bush * für Buchse * pour Moyeux * amovibles * para Casquillos cónicos *	F <sub>2</sub>	B <sub>2</sub> (max.)	Peso Weight Gewicht Poids Peso
		h <sub>2</sub>	F	F <sub>1</sub>	Db				
DT12012	12	63,5	47,3	31,1	72	1615	38,1	42	1,90
DT12013	13	63,5	47,3	31,1	81	1615	38,1	42	2,50
DT12014	14	63,5	47,3	31,1	88	2012	31,8	50	2,50
DT12015	15	63,5	47,3	31,1	97	2012	31,8	50	3,10
DT12016	16	63,5	47,3	31,1	104	2012	31,8	50	3,75
DT12017	17	63,5	47,3	31,1	113	2517	44,5	65	3,90
DT12018	18	63,5	47,3	31,1	121	2517	44,5	65	4,70
DT12019	19	63,5	47,3	31,1	129	2517	44,5	65	5,50
DT12020	20	63,5	47,3	31,1	137	3020	50,8	75	5,15
DT12021	21	63,5	47,3	31,1	145	3020	50,8	75	6,05
DT12023	23	63,5	47,3	31,1	161	3525	63,5	90	7,20
DT12025	25	63,5	47,3	31,1	177	3525	63,5	90	9,40



A richiesta possiamo eseguire dentature e passi nei profili ASA non indicati nel presente Catalogo in base a consuntivo.

Auf Anfrage sind weitere Zähnezahlen oder Teilungen für ASA - Rollenketten lieferbar.

On request, we can carry out toothing pitch on "ASA" profiles, not indicated in this catalogue, according to estimates.

Possibilité d'exécuter sur demande des dentures et des pas dans les profils "ASA" non indiqués dans le catalogue, sur devis.

Previa solicitud y en base a presupuesto podemos fabricar dentados y pasos con perfiles "ASA" no señalados en el presente catálogo.

## **PIGNONI E CORONE ASA**

Sprockets and plate wheels ASA

Kettenräder ASA

Pignons et disques ASA

Piñones y discos ASA

## Pignoni / Sprockets Kettenräder mit Nabe / Pignons / Piñones

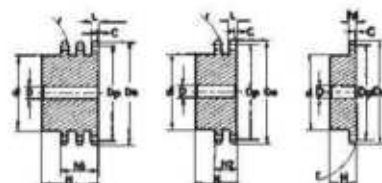
Pignoni per catene semplici, doppie e triple a rulli secondo: DIN 8188 - ISO/R 606 - ANSI B 29,1

Sprockets for simplex, duplex and triplex chain to: DIN 8188 - ISO/R 606 - ANSI B 29,1

Kettenräder mit einseitiger Nabe für Simplex-Duplex-Triplex-Rollenkette nach: DIN 8188 - ISO/R 606 - ANSI B 29,1

Pignons avec moyeu déporté pour chaînes simples, doubles et triples à rouleaux suivant les normes: DIN 8188 - ISO/R 606 - ANSI B 29,1

Piñones para cadena simple, doble y triple de rodillos según las normas: DIN 8188 - ISO/R 606 - ANSI B 29,1



**3/8" x 3/16"**

**ASA 35 - 1-2-3 9,525 x 4,77 mm**

CATENA	CHAIN	KETTE	CHAÎNE	CADENA	ASA 35
Passo	Pitch	Teilung	Pas	Paso	9,525
Larghezza interna	Internal width	Innere Breite	Largeur interieure	Ancho interno	4,770
Rullo ø	Roller ø	Rollen ø	ø du rouleau	Rodillo ø	5,080

PIGNONE	SPROCKETS	KETTENRÄDER	PIGNONS	PIÑONES	ASA 35
Raggio dente r	Tooth radius r	Radius r	Rayon de denture r	Radio diente r	r 10,0
Larghezza raggio C	Radius width C	Breite C	Largeur de rayon C	Ancho radio C	C 1,2
Largh. dente h <sub>1</sub>	Tooth width h <sub>1</sub>	Zahnbreite h <sub>1</sub>	Larg. de denture h <sub>1</sub>	Ancho diente h <sub>1</sub>	h <sub>1</sub> 4,4
Largh. dente L	Tooth width L	Zahnbreite L	Larg. de denture L	Ancho diente L	L 4,3
Largh. dente h <sub>2</sub>	Tooth width h <sub>2</sub>	Zahnbreite h <sub>2</sub>	Larg. de denture h <sub>2</sub>	Ancho diente h <sub>2</sub>	h <sub>2</sub> 14,4
Largh. dente h <sub>3</sub>	Tooth width h <sub>3</sub>	Zahnbreite h <sub>3</sub>	Larg. de denture h <sub>3</sub>	Ancho diente h <sub>3</sub>	h <sub>3</sub> 24,5
Altezza totale H	Full height H	Gesamt Höhe H	Hauteur totale H	Altura total H	H -

Materiale C45E UNI EN 10083-1		Material C45E UNI EN 10083-1		Werkstoff C45E UNI EN 10083-1			Matière C45E UNI EN 10083-1		Material C45E UNI EN 10083-1		
Z	D <sub>e</sub>	D <sub>f</sub>	Simplex				Duplex				
			cod.	d	D	H	cod.	d	D	H	
10	35,70	30,82	PS 05A10	20	8	22					
11	38,69	33,80	PS 05A11	22	8	25					
12	41,68	36,80	PS 05A12	25	8	25					
13	44,68	39,80	PS 05A13	28	10	25	PD 05A13	28	10	25	
14	47,68	42,80	PS 05A14	31	10	25	PD 05A14	31	10	25	
15	50,69	45,81	PS 05A15	34	10	25	PD 05A15	34	10	25	
16	53,70	48,82	PS 05A16	38	10	28	PD 05A16	37	12	30	
17	56,72	51,83	PS 05A17	38	10	28	PD 05A17	40	12	30	
18	59,73	54,85	PS 05A18	38	10	28	PD 05A18	43	12	30	
19	62,75	57,87	PS 05A19	46	10	28	PD 05A19	46	12	30	
20	65,77	60,89	PS 05A20	46	10	28	PD 05A20	49	12	30	
21	68,79	63,91	PS 05A21	46	10	28	PD 05A21	52	16	30	
22	71,81	66,93	PS 05A22	52	12	28	PD 05A22	55	16	30	
23	74,83	69,95	PS 05A23	52	12	28	PD 05A23	58	16	30	
24	77,85	72,97	PS 05A24	52	12	28	PD 05A24	61	16	30	
25	80,88	76,00	PS 05A25	58	12	28	PD 05A25	64	16	30	
26	83,90	79,02	PS 05A26	58	12	28	PD 05A26	67	16	30	
27	86,93	82,04	PS 05A27	58	12	28	PD 05A27	70	16	30	
28	89,95	85,07	PS 05A28	60	12	28	PD 05A28	73	16	30	
30	96,00	91,12	PS 05A30	60	12	28					





# Pignoni / Sprockets

## Kettenräder mit Nabe / Pignons / Piñones

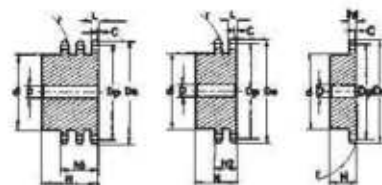
Pignoni per catene semplici, doppie e triple a rulli secondo: DIN 8188 - ISO/R 606 - ANSI B 29,1

Sprockets for simplex, duplex and triplex chain to: DIN 8188 - ISO/R 606 - ANSI B 29,1

Kettenräder mit einseitiger Nabe für Simplex-Duplex-Triplex-Rollenkette nach: DIN 8188 - ISO/R 606 - ANSI B 29,1

Pignons avec moyeu déporté pour chaînes simples, doubles, et triples à rouleaux suivant les normes: DIN 8188 - ISO/R 606 - ANSI B 29,1

Piñones para cadena simple, doble y triple de rodillos según las normas: DIN 8188 - ISO/R 606 - ANSI B 29,1



3/4" x 1/2"

ASA 60 - 1-2-3 19,05 x 12,7 mm

CATENA	CHAIN	KETTE	CHAÎNE	CADENA	ASA 60
Passo	Pitch	Teilung	Pas	Paso	19,05
Larghezza interna	Internal width	Innere Breite	Largeur interieure	Ancho interno	12,70
Rullo ø	Roller ø	Rollen ø	ø du rouleau	Rodillo ø	11,91

PIGNONE	SPROCKETS	KETTENRÄDER	PIGNONS	PIÑONES	ASA 60
Raggio dente r	Tooth radius r	Radius r	Rayon de denture r	Radio diente r	r 20,0
Larghezza raggio C	Radius width C	Breite C	Largeur de rayon C	Ancho radio C	C 2,4
Largh. dente h <sub>1</sub>	Tooth width h <sub>1</sub>	Zahnbreite h <sub>1</sub>	Larg. de denture h <sub>1</sub>	Ancho diente h <sub>1</sub>	h <sub>1</sub> 12,0
Largh. dente L	Tooth width L	Zahnbreite L	Larg. de denture L	Ancho diente L	L 11,8
Largh. dente h <sub>2</sub>	Tooth width h <sub>2</sub>	Zahnbreite h <sub>2</sub>	Larg. de denture h <sub>2</sub>	Ancho diente h <sub>2</sub>	h <sub>2</sub> 34,6
Largh. dente h <sub>3</sub>	Tooth width h <sub>3</sub>	Zahnbreite h <sub>3</sub>	Larg. de denture h <sub>3</sub>	Ancho diente h <sub>3</sub>	h <sub>3</sub> 57,4
Altezza totale H	Full height H	Gesamt Höhe H	Hauteur totale H	Altura total H	H -

Materiale C45E UNI EN 10083-1			Material C45E UNI EN 10083-1			Werkstoff C45E UNI EN 10083-1			Matière C45E UNI EN 10083-1			Material C45E UNI EN 10083-1		
Z	D <sub>s</sub>	D <sub>p</sub>	Simplex				Duplex				Triplex			
			cod.	d	D	H	cod.	d	D	H	cod.	d	D	H
10	71,54	61,64	PS 11A10	42	12	30	PD 11A10	42	12	45				
11	77,51	67,61	PS 11A11	45	12	30	PD 11A11	47	16	50				
12	83,49	73,61	PS 11A12	45	12	30	PD 11A12	53	16	50	PT 11A12	53	20	70
13	89,49	79,59	PS 11A13	60	14	35	PD 11A13	59	16	50	PT 11A13	59	20	70
14	95,50	85,61	PS 11A14	60	14	35	PD 11A14	65	16	50	PT 11A14	65	20	70
15	101,52	91,63	PS 11A15	60	14	35	PD 11A15	71	16	50	PT 11A15	71	20	70
16	107,54	97,65	PS 11A16	75	16	35	PD 11A16	77	20	50	PT 11A16	77	20	70
17	113,56	103,67	PS 11A17	75	16	35	PD 11A17	83	20	50	PT 11A17	83	20	70
18	119,59	109,71	PS 11A18	75	16	35	PD 11A18	89	20	50	PT 11A18	89	20	70
19	125,63	115,75	PS 11A19	80	16	35	PD 11A19	95	20	50	PT 11A19	95	20	70
20	131,67	121,78	PS 11A20	80	16	35	PD 11A20	100	20	50	PT 11A20	100	20	70
21	137,71	127,82	PS 11A21	80	16	35	PD 11A21	100	20	50	PT 11A21	100	20	70
22	143,75	133,86	PS 11A22	90	20	40	PD 11A22	100	20	50	PT 11A22	100	20	70
23	149,79	139,90	PS 11A23	90	20	40	PD 11A23	110	20	50	PT 11A23	110	20	70
24	155,84	145,94	PS 11A24	90	20	40	PD 11A24	110	20	50	PT 11A24	110	20	70
25	161,88	152,00	PS 11A25	90	20	40	PD 11A25	120	20	50	PT 11A25	120	20	70
26	167,93	158,04	PS 11A26	90	20	40	PD 11A26	120	20	50				
27	173,98	164,09	PS 11A27	90	20	40	PD 11A27	120	20	50				
28	180,03	170,13	PS 11A28	95	20	40	PD 11A28	120	20	50				
30	192,14	182,25	PS 11A30	95	20	40	PD 11A30	120	20	50				



# Pignoni / Sprockets

## Kettenräder mit Nabe / Pignons / Piñones

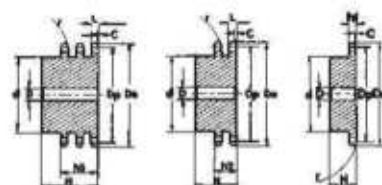
Pignoni per catene semplici, doppie e triple a rulli secondo: DIN 8188 - ISO/R 606 - ANSI B 29,1

Sprockets for simplex, duplex and triplex chain to: DIN 8188 - ISO/R 606 - ANSI B 29,1

Kettenräder mit einseitiger Nabe für Simplex-Duplex-Triplex-Rollenkette nach: DIN 8188 - ISO/R 606 - ANSI B 29,1

Pignons avec moyeu déporté pour chaînes simples, doubles, et triples à rouleaux suivant les normes: DIN 8188 - ISO/R 606 - ANSI B 29,1

Piñones para cadena simple, doble y triple de rodillos según las normas: DIN 8188 - ISO/R 606 - ANSI B 29,1



1"1/4 x 3/4"

ASA 100 - 1-2-3 31,75 x 19,05 mm

CATENA	CHAIN	KETTE	CHAÎNE	CADENA	ASA 100
Passo	Pitch	Teilung	Pas	Paso	31,75
Larghezza interna	Internal width	Innere Breite	Largeur interieure	Ancho interno	19,05
Rullo $\phi$	Roller $\phi$	Rollen $\phi$	$\phi$ du rouleau	Rodillo $\phi$	19,05

PIGNONE	SPROCKETS	KETTENRÄDER	PIGNONS	PIÑONES	ASA 100
Raggio dente r	Tooth radius r	Radius r	Rayon de denture r	Radio diente r	r 33,5
Larghezza raggio C	Radius width C	Breite C	Largeur de rayon C	Ancho radio C	C 4,0
Largh. dente $h_1$	Tooth width $h_1$	Zahnbreite $h_1$	Larg. de denture $h_1$	Ancho diente $h_1$	$h_1$ 18,0
Largh. dente L	Tooth width L	Zahnbreite L	Larg. de denture L	Ancho diente L	L 17,7
Largh. dente $h_2$	Tooth width $h_2$	Zahnbreite $h_2$	Larg. de denture $h_2$	Ancho diente $h_2$	$h_2$ 53,5
Largh. dente $h_3$	Tooth width $h_3$	Zahnbreite $h_3$	Larg. de denture $h_3$	Ancho diente $h_3$	$h_3$ 89,2
Altezza totale H	Full height H	Gesamt Höhe H	Hauteur totale H	Altura total H	H -

Materiale C45E  
UNI EN 10083-1

Material C45E  
UNI EN 10083-1

Werkstoff C45E  
UNI EN 10083-1

Matière C45E  
UNI EN 10083-1

Material C45E  
UNI EN 10083-1

Z	$D_e$	$D_f$	Simplex				Duplex			
			cod.	d	D	H	cod.	d	D	H
8	98,1	82,96	PS 13A08	53	20	40				
9	108,0	92,84	PS 13A09	63	20	40				
10	117,9	102,74	PS 13A10	70	20	40				
11	127,8	112,68	PS 13A11	77	20	45				
12	137,8	122,68	PS 13A12	88	20	45	PD 13A12	90	20	80
13	147,8	132,65	PS 13A13	98	20	45	PD 13A13	100	20	80
14	157,8	142,68	PS 13A14	108	20	45	PD 13A14	110	20	80
15	167,9	152,72	PS 13A15	118	20	45	PD 13A15	120	20	80
16	177,9	162,75	PS 13A16	120	25	50	PD 13A16	120	25	80
17	187,9	172,78	PS 13A17	120	25	50	PD 13A17	120	25	80
18	198,0	182,85	PS 13A18	120	25	50				
19	208,1	192,91	PS 13A19	120	25	50				
20	218,1	202,98	PS 13A20	120	25	50				
21	228,2	213,04	PS 13A21	140	25	55				
22	238,3	223,11	PS 13A22	140	25	55				
23	248,3	233,17	PS 13A23	140	25	55				
24	258,4	243,23	PS 13A24	140	25	55				
25	268,5	253,33	PS 13A25	140	25	55				



## Pignoni / Sprockets Kettenräder mit Nabe / Pignons / Piñones

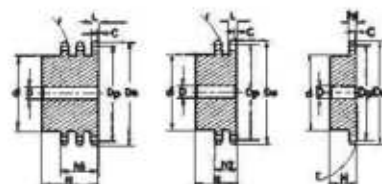
Pignoni per catene semplici, doppie e triple a rulli secondo: DIN 8188 - ISO/R 606 - ANSI B 29,1

Sprockets for simplex, duplex and triplex chain to: DIN 8188 - ISO/R 606 - ANSI B 29,1

Kettenräder mit einseitiger Nabe für Simplex-Duplex-Triplex-Rollenkette nach: DIN 8188 - ISO/R 606 - ANSI B 29,1

Pignons avec moyeu déporté pour chaînes simples, doubles, et triples à rouleaux suivant les normes: DIN 8188 - ISO/R 606 - ANSI B 29,1

Piñones para cadena simple, doble y triple de rodillos según las normas: DIN 8188 - ISO/R 606 - ANSI B 29,1



### 1"1/2 x 1"

### ASA 120 - 1-2-3 38,1 x 25,4 mm

CATENA	CHAIN	KETTE	CHAÎNE	CADENA	ASA 120
Passo	Pitch	Teilung	Pas	Paso	38,10
Larghezza interna	Internal width	Innere Breite	Largeur interieure	Ancho interno	25,40
Rullo ø	Roller ø	Rollen ø	ø du rouleau	Rodillo ø	22,22
PIGNONE	SPROCKETS	KETTENRÄDER	PIGNONS	PIÑONES	ASA 120
Raggio dente r	Tooth radius r	Radius r	Rayon de denture r	Radio diente r	r 40,5
Larghezza raggio C	Radius width C	Breite C	Largeur de rayon C	Ancho radio C	C 4,8
Largh. dente h <sub>1</sub>	Tooth width h <sub>1</sub>	Zahnbreite h <sub>1</sub>	Larg. de denture h <sub>1</sub>	Ancho diente h <sub>1</sub>	h <sub>1</sub> 24,1
Largh. dente L	Tooth width L	Zahnbreite L	Larg. de denture L	Ancho diente L	L 23,6
Largh. dente h <sub>2</sub>	Tooth width h <sub>2</sub>	Zahnbreite h <sub>2</sub>	Larg. de denture h <sub>2</sub>	Ancho diente h <sub>2</sub>	h <sub>2</sub> 69,0
Largh. dente h <sub>3</sub>	Tooth width h <sub>3</sub>	Zahnbreite h <sub>3</sub>	Larg. de denture h <sub>3</sub>	Ancho diente h <sub>3</sub>	h <sub>3</sub> 114,5
Altezza totale H	Full height H	Gesamt Höhe H	Hauteur totale H	Altura total H	H -

Materiale C45E  
UNI EN 10083-1

Material C45E  
UNI EN 10083-1

Werkstoff C45E  
UNI EN 10083-1

Matière C45E  
UNI EN 10083-1

Material C45E  
UNI EN 10083-1

Z	D <sub>e</sub>	D <sub>p</sub>	Simplex				Duplex			
			cod.	d	D	H	cod.	d	D	H
8	119,04	99,55	PS 14A08	58	20	45				
9	130,88	111,40	PS 14A09	70	20	45				
10	142,77	123,29	PS 14A10	80	20	45				
11	154,71	135,21	PS 14A11	90	25	50				
12	166,69	147,22	PS 14A12	102	25	50	PD 14A12	102	25	100
13	178,68	159,18	PS 14A13	114	25	50	PD 14A13	114	25	100
14	190,70	171,22	PS 14A14	128	25	50	PD 14A14	128	25	100
15	202,73	183,26	PS 14A15	140	25	50	PD 14A15	140	25	100

### 1"3/4 x 1"1/4

### ASA 140 - 1-2-3 44,45 x 25,4 mm

CATENA	CHAIN	KETTE	CHAÎNE	CADENA	ASA 140
Passo	Pitch	Teilung	Pas	Paso	44,45
Larghezza interna	Internal width	Innere Breite	Largeur interieure	Ancho interno	25,40
Rullo ø	Roller ø	Rollen ø	ø du rouleau	Rodillo ø	25,40
PIGNONE	SPROCKETS	KETTENRÄDER	PIGNONS	PIÑONES	ASA 140
Raggio dente r	Tooth radius r	Radius r	Rayon de denture r	Radio diente r	r 47,5
Larghezza raggio C	Radius width C	Breite C	Largeur de rayon C	Ancho radio C	C 5,8
Largh. dente h <sub>1</sub>	Tooth width h <sub>1</sub>	Zahnbreite h <sub>1</sub>	Larg. de denture h <sub>1</sub>	Ancho diente h <sub>1</sub>	h <sub>1</sub> 24,1
Largh. dente L	Tooth width L	Zahnbreite L	Larg. de denture L	Ancho diente L	L 23,6
Largh. dente h <sub>2</sub>	Tooth width h <sub>2</sub>	Zahnbreite h <sub>2</sub>	Larg. de denture h <sub>2</sub>	Ancho diente h <sub>2</sub>	h <sub>2</sub> 72,5
Largh. dente h <sub>3</sub>	Tooth width h <sub>3</sub>	Zahnbreite h <sub>3</sub>	Larg. de denture h <sub>3</sub>	Ancho diente h <sub>3</sub>	h <sub>3</sub> 121,3
Altezza totale H	Full height H	Gesamt Höhe H	Hauteur totale H	Altura total H	H -

### 2" x 1"1/4

### ASA 160 - 1-2-3 50,8 x 31,75 mm

CATENA	CHAIN	KETTE	CHAÎNE	CADENA	ASA 160
Passo	Pitch	Teilung	Pas	Paso	50,80
Larghezza interna	Internal width	Innere Breite	Largeur interieure	Ancho interno	31,75
Rullo ø	Roller ø	Rollen ø	ø du rouleau	Rodillo ø	28,58
PIGNONE	SPROCKETS	KETTENRÄDER	PIGNONS	PIÑONES	ASA 160
Raggio dente r	Tooth radius r	Radius r	Rayon de denture r	Radio diente r	r 54,0
Larghezza raggio C	Radius width C	Breite C	Largeur de rayon C	Ancho radio C	C 7,0
Largh. dente h <sub>1</sub>	Tooth width h <sub>1</sub>	Zahnbreite h <sub>1</sub>	Larg. de denture h <sub>1</sub>	Ancho diente h <sub>1</sub>	h <sub>1</sub> 30,1
Largh. dente L	Tooth width L	Zahnbreite L	Larg. de denture L	Ancho diente L	L 29,5
Largh. dente h <sub>2</sub>	Tooth width h <sub>2</sub>	Zahnbreite h <sub>2</sub>	Larg. de denture h <sub>2</sub>	Ancho diente h <sub>2</sub>	h <sub>2</sub> 88,0
Largh. dente h <sub>3</sub>	Tooth width h <sub>3</sub>	Zahnbreite h <sub>3</sub>	Larg. de denture h <sub>3</sub>	Ancho diente h <sub>3</sub>	h <sub>3</sub> 146,6
Altezza totale H	Full height H	Gesamt Höhe H	Hauteur totale H	Altura total H	H -

## Corone / Plate wheels Kettenradscheiben / Disques / Discos

Corone per catene semplici, doppie e triple a rulli secondo: DIN 8188 - ISO/R 606 - ANSI B 29,1  
Corone tornite sui lati, dentate con creatore.

Plate wheels for simplex, duplex and triplex chain to: DIN 8188 - ISO/R 606 - ANSI B 29,1  
Plate Wheels turned on both sides and toothed by milling cutter.

Kettenradscheiben mit einseitiger Nabe für Simplex- Duplex- Triplex-Rollenkette nach: DIN 8188 - ISO/R 606 - ANSI B 29,1  
Seitlich plan gedrehte, wälzgefräste Zahnkränze.

Disques avec moyeu déporté pour chaînes simples, doubles et triples à rouleaux suivant les normes: DIN 8188 - ISO/R 606 - ANSI B 29,1  
Disques tournés sur les flancs, dentés à la fraise.

Discos para cadena simple, doble y triple de rodillos segun: DIN 8188 - ISO/R 606 - ANSI B 29,1  
Discos torneadas en los lados, dientes obtenidos con fresa madre.



### 3/8" x 3/16"

### ASA 35 - 1-2-3 9,525 x 4,77 mm

CATENA:	CHAIN:	KETTE:	CHAÎNE:	CADENA:	ASA 35
Passo	Pitch	Teilung	Pas	Paso	9,525
Larghezza interna	Internal width	Innere Breite	Largeur interieure	Ancho interno	4,770
Rullo ø	Roller ø	Rollen ø	ø du rouleau	Rodillo ø	5,080

CORONE	PLATE WHEELS	KETTENRADSCHIEBEN	DISQUES	DISCOS	ASA 35
Raggio dente r	Tooth radius r	Radius r	Rayon de denture r	Radio diente r	r 10,0
Larghezza raggio C	Radius width C	Breite C	Largeur de rayon C	Ancho radio C	C 1,2
Largh. dente h <sub>1</sub>	Tooth width h <sub>1</sub>	Zahnbreite h <sub>1</sub>	Larg. de denture h <sub>1</sub>	Ancho diente h <sub>1</sub>	h <sub>1</sub> 4,4
Largh. dente L	Tooth width L	Zahnbreite L	Larg. de denture L	Ancho diente L	L 4,3
Largh. dente h <sub>2</sub>	Tooth width h <sub>2</sub>	Zahnbreite h <sub>2</sub>	Larg. de denture h <sub>2</sub>	Ancho diente h <sub>2</sub>	h <sub>2</sub> 14,4
Largh. dente h <sub>3</sub>	Tooth width h <sub>3</sub>	Zahnbreite h <sub>3</sub>	Larg. de denture h <sub>3</sub>	Ancho diente h <sub>3</sub>	h <sub>3</sub> 24,5
Altezza totale H	Full height H	Gesamt Höhe H	Hauteur totale H	Altura total H	H -

Z	D <sub>e</sub>	D <sub>p</sub>	Simplex		Duplex	
			cod.	d	cod.	d
30	96,00	91,12			CD 05A30	12
32	102,06	97,17	CS 05A32	12		
36	114,17	109,29	CS 05A36	12		
38	120,22	115,34	CS 05A38	12	CD 05A38	14
40	126,28	121,40	CS 05A40	12		
45	141,43	136,55	CS 05A45	16	CD 05A45	16
48	150,52	145,64	CS 05A48	16		
57	177,79	172,91	CS 05A57	16	CD 05A57	16
76	235,37	230,49	CS 05A76	20	CD 05A76	20

### 1/2" x 5/16"

### ASA 40 - 1-2-3 12,7 x 7,94 mm

CATENA:	CHAIN:	KETTE:	CHAÎNE:	CADENA:	ASA 40
Passo	Pitch	Teilung	Pas	Paso	12,70
Larghezza interna	Internal width	Innere Breite	Largeur interieure	Ancho interno	7,94
Rullo ø	Roller ø	Rollen ø	ø du rouleau	Rodillo ø	7,94

CORONE	PLATE WHEELS	KETTENRADSCHIEBEN	DISQUES	DISCOS	ASA 40
Raggio dente r	Tooth radius r	Radius r	Rayon de denture r	Radio diente r	r 13,5
Larghezza raggio C	Radius width C	Breite C	Largeur de rayon C	Ancho radio C	C 1,6
Largh. dente h <sub>1</sub>	Tooth width h <sub>1</sub>	Zahnbreite h <sub>1</sub>	Larg. de denture h <sub>1</sub>	Ancho diente h <sub>1</sub>	h <sub>1</sub> 7,4
Largh. dente L	Tooth width L	Zahnbreite L	Larg. de denture L	Ancho diente L	L 7,2
Largh. dente h <sub>2</sub>	Tooth width h <sub>2</sub>	Zahnbreite h <sub>2</sub>	Larg. de denture h <sub>2</sub>	Ancho diente h <sub>2</sub>	h <sub>2</sub> 21,6
Largh. dente h <sub>3</sub>	Tooth width h <sub>3</sub>	Zahnbreite h <sub>3</sub>	Larg. de denture h <sub>3</sub>	Ancho diente h <sub>3</sub>	h <sub>3</sub> 36,0
Altezza totale H	Full height H	Gesamt Höhe H	Hauteur totale H	Altura total H	H -

Z	D <sub>e</sub>	D <sub>p</sub>	Simplex		Duplex		Triplex	
			cod.	d	cod.	d	cod.	d
30	128,06	121,50					CT 09A30	20
32	136,13	129,57			CD 09A32	16		
38	160,35	153,79			CD 09A38	20	CT 09A38	25
40	168,43	161,87			CD 09A40	20		
42	176,50	169,94	CS 09A42	20				
45	188,62	182,06	CS 09A45	20	CD 09A45	20	CT 09A45	25
48	200,74	194,18	CS 09A48	20				
57	237,10	230,54	CS 09A57	20	CD 09A57	25	CT 09A57	25
76	313,88	307,32	CS 09A76	25	CD 09A76	25	CT 09A76	25
95	390,67	384,11			CD 09A95	25		

## Corone / Plate wheels Kettenradscheiben / Disques / Discos

Corone per catene semplici, doppie e triple a rulli secondo: DIN 8188 - ISO/R 606 - ANSI B 29,1  
**Corone tornite sui lati, dentate con creatore.**

Plate wheels for simplex, duplex and triplex chain to: DIN 8188 - ISO/R 606 - ANSI B 29,1  
**Plate Wheels turned on both sides and toothed by milling cutter.**

Kettenradscheiben mit einseitiger Nabe für Simplex- Duplex- Triplex-Rollenkette nach: DIN 8188 - ISO/R 606 - ANSI B 29,1  
**Seitlich plan gedrehte, wälzgefräste Zahnkränze.**

Disques avec moyeu déporté pour chaînes simples, doubles et triples à rouleaux suivant les normes: DIN 8188 - ISO/R 606 - ANSI B 29,1

**Disques tournés sur les flancs, dentés à la fraise.**

Discos para cadena simple, doble y triple de rodillos segun: DIN 8188 - ISO/R 606 - ANSI B 29,1

**Discos torneadas en los lados, dientes obtenidos con fresa madre.**



**5/8" x 3/8"**

**ASA 50 - 1-2-3 15,875 x 9,52 mm**

CATENA:	CHAIN:	KETTE:	CHAÎNE:	CADENA:	ASA 50
Passo	Pitch	Teilung	Pas	Paso	15,875
Larghezza interna	Internal width	Innere Breite	Largeur interieure	Ancho interno	9,520
Rullo ø	Roller ø	Rollen ø	ø du rouleau	Rodillo ø	10,160

CORONE	PLATE WHEELS	KETTENRADSCHIEBEN	DISQUES	DISCOS	ASA 50
Raggio dente r	Tooth radius r	Radius r	Rayon de denture r	Radio diente r	r 17,0
Larghezza raggio C	Radius width C	Breite C	Largeur de rayon C	Ancho radio C	C 2,0
Largh. dente h <sub>1</sub>	Tooth width h <sub>1</sub>	Zahnbreite h <sub>1</sub>	Larg. de denture h <sub>1</sub>	Ancho diente h <sub>1</sub>	h <sub>1</sub> 9,0
Largh. dente L	Tooth width L	Zahnbreite L	Larg. de denture L	Ancho diente L	L 8,8
Largh. dente h <sub>2</sub>	Tooth width h <sub>2</sub>	Zahnbreite h <sub>2</sub>	Larg. de denture h <sub>2</sub>	Ancho diente h <sub>2</sub>	h <sub>2</sub> 26,9
Largh. dente h <sub>3</sub>	Tooth width h <sub>3</sub>	Zahnbreite h <sub>3</sub>	Larg. de denture h <sub>3</sub>	Ancho diente h <sub>3</sub>	h <sub>3</sub> 45,0
Altezza totale H	Full height H	Gesamt Höhe H	Hauteur totale H	Altura total H	H -

Z	D <sub>e</sub>	D <sub>p</sub>	Simplex cod. D	Duplex cod. D	Triplex cod. D	Z	D <sub>e</sub>	D <sub>p</sub>	Simplex cod. D	Duplex cod. D	Triplex cod. D
8	47,0	41,48	CS 10A08 10			44	230,0	222,53	CS 10A44 20		
9	52,6	46,42	CS 10A09 10			45	235,0	227,58	CS 10A45 20	CD 10A45 20	CT 10A45 25
10	57,5	51,37	CS 10A10 10			46	240,1	232,63	CS 10A46 20		
11	63,0	56,34	CS 10A11 10			47	245,1	237,68	CS 10A47 20		
12	68,0	61,34	CS 10A12 10			48	250,2	242,73	CS 10A48 20		
13	73,0	66,32	CS 10A13 10			49	255,2	247,78	CS 10A49 20		
14	78,0	71,34	CS 10A14 10			50	260,3	252,82	CS 10A50 20		
15	83,0	76,36	CS 10A15 10			51	265,3	257,87	CS 10A51 20		
16	88,0	81,37	CS 10A16 12			52	270,4	262,92	CS 10A52 20		
17	93,0	86,38	CS 10A17 12			53	275,4	267,97	CS 10A53 20		
18	98,3	91,42	CS 10A18 12			54	280,5	273,03	CS 10A54 20		
19	103,3	96,45	CS 10A19 12			55	285,5	278,08	CS 10A55 20		
20	108,4	101,49	CS 10A20 12			56	290,6	283,13	CS 10A56 25		
21	113,4	106,52	CS 10A21 12			57	295,7	288,18	CS 10A57 25	CD 10A57 25	CT 10A57 25
22	118,0	111,55	CS 10A22 12			58	300,7	293,23	CS 10A58 25		
23	123,5	116,58	CS 10A23 12			59	305,7	298,27	CS 10A59 25		
24	128,3	121,62	CS 10A24 12			60	310,8	303,32	CS 10A60 25		
25	134,0	126,66	CS 10A25 12			62	321,4	313,43	CS 10A62 25		
26	139,0	131,70	CS 10A26 16			64	331,5	321,53	CS 10A64 25		
27	144,0	136,75	CS 10A27 16			65	336,5	328,58	CS 10A65 25		
28	148,7	141,78	CS 10A28 16			66	341,6	333,63	CS 10A66 25		
29	153,8	146,83	CS 10A29 16			68	351,7	343,74	CS 10A68 25		
30	158,8	151,87	CS 10A30 16	CD 10A30 20	CT 10A30 20	70	361,8	353,84	CS 10A70 25		
31	163,9	156,92	CS 10A31 16			72	371,9	363,95	CS 10A72 25		
32	168,9	161,95	CS 10A32 16			75	387,1	379,09	CS 10A75 25		
33	174,5	167,00	CS 10A33 16			76	392,1	384,16	CS 10A76 25	CD 10A76 25	CT 10A76 30
34	179,0	172,05	CS 10A34 16			78	402,2	394,25	CS 10A78 25		
35	184,1	177,10	CS 10A35 20			80	412,3	404,35	CS 10A80 30		
36	189,1	182,15	CS 10A36 20			85	437,6	429,62	CS 10A85 30		
37	194,2	187,20	CS 10A37 20			90	462,8	454,88	CS 10A90 30		
38	199,2	192,24	CS 10A38 20	CD 10A38 20	CT 10A38 25	95	488,5	480,14	CS 10A95 30	CD 10A95 30	
39	204,2	197,29	CS 10A39 20			100	513,4	505,39	CS 1A100 30		
40	209,3	202,34	CS 10A40 20			110	563,9	555,92	CS 1A110 30		
41	214,8	207,39	CS 10A41 20			114	584,1	576,13	CS 1A114 30		
42	219,9	212,44	CS 10A42 20			120	614,4	606,45	CS 1A120 30		
43	224,9	217,49	CS 10A43 20			125	639,7	631,51	CS 1A125 30		

## Corone / Plate wheels Kettenradscheiben / Disques / Discos

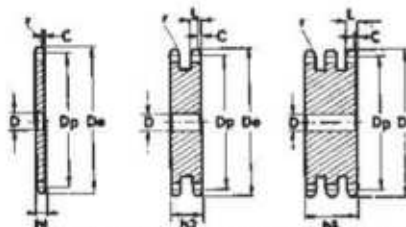
Corone per catene semplici, doppie e triple a rulli secondo: DIN 8188 - ISO/R 606 - ANSI B 29,1  
Corone tornite sui lati, dentate con creatore.

Plate wheels for simplex, duplex and triplex chain to: DIN 8188 - ISO/R 606 - ANSI B 29,1  
Plate Wheels turned on both sides and toothed by milling cutter.

Kettenradscheiben mit einseitiger Nabe für Simplex- Duplex- Triplex-Rollenkette nach: DIN 8188 - ISO/R 606 - ANSI B 29,1  
Seitlich plan gedrehte, wälzgefräste Zahnkränze.

Disques avec moyeu déporté pour chaînes simples, doubles et triples à rouleaux suivant les normes: DIN 8188 - ISO/R 606 - ANSI B 29,1  
Disques tournés sur les flancs, dentés à la fraise.

Discos para cadena simple, doble y triple de rodillos segun: DIN 8188 - ISO/R 606 - ANSI B 29,1  
Discos torneadas en los lados, dientes obtenidos con fresa madre.



3/4" x 1/2"

ASA 60 - 1-2-3 19,05 x 12,7 mm

CATENA:	CHAIN:	KETTE:	CHAÎNE:	CADENA:	ASA 60
Passo	Pitch	Teilung	Pas	Paso	19,05
Larghezza interna	Internal width	Innere Breite	Largeur interieure	Ancho interno	12,70
Rullo ø	Roller ø	Rollen ø	ø du rouleau	Rodillo ø	11,91

CORONE	PLATE WHEELS	KETTENRADSCHIEBEN	DISQUES	DISCOS	ASA 60
Raggio dente r	Tooth radius r	Radius r	Rayon de denture r	Radio diente r	r 20,0
Larghezza raggio C	Radius width C	Breite C	Largeur de rayon C	Ancho radio C	C 2,4
Largh. dente h <sub>1</sub>	Tooth width h <sub>1</sub>	Zahnbreite h <sub>1</sub>	Larg. de denture h <sub>1</sub>	Ancho diente h <sub>1</sub>	h <sub>1</sub> 12,0
Largh. dente L	Tooth width L	Zahnbreite L	Larg. de denture L	Ancho diente L	L 11,8
Largh. dente h <sub>2</sub>	Tooth width h <sub>2</sub>	Zahnbreite h <sub>2</sub>	Larg. de denture h <sub>2</sub>	Ancho diente h <sub>2</sub>	h <sub>2</sub> 34,6
Largh. dente h <sub>3</sub>	Tooth width h <sub>3</sub>	Zahnbreite h <sub>3</sub>	Larg. de denture h <sub>3</sub>	Ancho diente h <sub>3</sub>	h <sub>3</sub> 57,4
Altezza totale H	Full height H	Gesamt Höhe H	Hauteur totale H	Altura total H	H -

Z	D <sub>e</sub>	D <sub>p</sub>	Simplex		Duplex		Triplex	
			cod.	d	cod.	d	cod.	d
30	192,14	182,25						
32	204,24	194,35			CD 11A32	20	CT 11A30	20
38	240,58	230,69	CS 11A38	20	CD 11A38	25	CT 11A38	25
40	252,69	242,80	CS 11A40	20	CD 11A40	25		
45	282,98	273,09	CS 11A45	25	CD 11A45	25	CT 11A45	25
48	301,16	291,27	CS 11A48	25				
57	355,70	345,81	CS 11A57	25	CD 11A57	25	CT 11A57	30
76	470,87	460,98	CS 11A76	25	CD 11A76	30	CT 11A76	30
95	586,06	576,17			CD 11A95	30		

1" x 5/8"

ASA 80 - 1-2-3 25,4 x 15,88 mm

CATENA:	CHAIN:	KETTE:	CHAÎNE:	CADENA:	ASA 80
Passo	Pitch	Teilung	Pas	Paso	25,40
Larghezza interna	Internal width	Innere Breite	Largeur interieure	Ancho interno	15,88
Rullo ø	Roller ø	Rollen ø	ø du rouleau	Rodillo ø	15,88

CORONE	PLATE WHEELS	KETTENRADSCHIEBEN	DISQUES	DISCOS	ASA 80
Raggio dente r	Tooth radius r	Radius r	Rayon de denture r	Radio diente r	r 27,0
Larghezza raggio C	Radius width C	Breite C	Largeur de rayon C	Ancho radio C	C 3,2
Largh. dente h <sub>1</sub>	Tooth width h <sub>1</sub>	Zahnbreite h <sub>1</sub>	Larg. de denture h <sub>1</sub>	Ancho diente h <sub>1</sub>	h <sub>1</sub> 15,0
Largh. dente L	Tooth width L	Zahnbreite L	Larg. de denture L	Ancho diente L	L 14,7
Largh. dente h <sub>2</sub>	Tooth width h <sub>2</sub>	Zahnbreite h <sub>2</sub>	Larg. de denture h <sub>2</sub>	Ancho diente h <sub>2</sub>	h <sub>2</sub> 44,0
Largh. dente h <sub>3</sub>	Tooth width h <sub>3</sub>	Zahnbreite h <sub>3</sub>	Larg. de denture h <sub>3</sub>	Ancho diente h <sub>3</sub>	h <sub>3</sub> 73,3
Altezza totale H	Full height H	Gesamt Höhe H	Hauteur totale H	Altura total H	H -

Z	D <sub>e</sub>	D <sub>p</sub>	Simplex		Duplex		Triplex	
			cod.	D	cod.	D	cod.	D
10	95,32	82,19	CS 12A10	15				
11	103,28	90,14	CS 12A11	15				
12	111,26	98,14	CS 12A12	15				
13	119,26	106,12	CS 12A13	15				
14	127,27	114,15	CS 12A14	15				
15	135,29	122,17	CS 12A15	15				
16	143,32	130,20	CS 12A16	20				
17	151,35	138,22	CS 12A17	20				
18	159,39	146,28	CS 12A18	20				
19	167,44	154,33	CS 12A19	20				
20	175,49	162,38	CS 12A20	20				
21	183,54	170,43	CS 12A21	20				
22	191,60	178,48	CS 12A22	20				
23	199,66	186,53	CS 12A23	20				
24	207,72	194,59	CS 12A24	20				
25	215,78	202,66	CS 12A25	20	CD 12A25	25	CT 12A25	30
26	223,84	210,72	CS 12A26	20				
27	231,91	218,79	CS 12A27	20				
28	239,98	226,85	CS 12A28	20				
30	256,12	243,00	CS 12A30	20	CD 12A30	25	CT 12A30	30
32	272,26	259,13	CS 12A32	25				
35	296,48	283,36	CS 12A35	25				
38	320,70	307,59	CS 12A38	25	CD 12A38	25	CT 12A38	30
45	377,24	364,12	CS 12A45	25	CD 12A45	25	CT 12A45	30
50	417,64	404,52	CS 12A50	25				
57	474,20	461,08	CS 12A57	25	CD 12A57	25	CT 12A57	40
76	627,80	614,64	CS 12A76	25	CD 12A76	25	CT 12A76	40

## Corone / Plate wheels Kettenradscheiben / Disques / Discos

Corone per catene semplici, dop-  
pie e triple a rulli secondo: DIN  
8188 - ISO/R 606 - ANSI B 29,1

**Corone tornite sui lati, dentate  
con creatore.**

Plate wheels for simplex, dup-  
lex and triplex chain to: DIN  
8188 - ISO/R 606 - ANSI B 29,1

**Plate Wheels turned on  
both sides and toothed by  
milling cutter.**

Kettenradscheiben mit einseitig-  
ger Nabe für Simplex-Duplex-  
Triplex-Rollenkette nach: DIN  
8188 - ISO/R 606 - ANSI B 29,1

**Seitlich plan gedrehte,  
wälzgefräste Zahnkränze.**

Disques avec moyeu déporté  
pour chaînes simples, doubles  
et triples à rouleaux suivant les  
normes: DIN 8188 - ISO/R 606 -  
ANSI B 29,1

**Disques tournés sur les  
flancs, dentés à la fraise.**

Discos para cadena simple,  
doble y triple de rodillos se-  
gun: DIN 8188 - ISO/R 606 -  
ANSI B 29,1

**Discos torneadas en los  
lados, dientes obtenidos con  
fresa madre.**



**1"1/4 x 3/4"**

**ASA 100 - 1-2-3 31,75 x 19,05 mm**

CATENA:	CHAIN:	KETTE:	CHAÎNE:	CADENA:	ASA 100
Passo	Pitch	Teilung	Pas	Paso	31,75
Larghezza interna	Internal width	Innere Breite	Largeur interieure	Ancho interno	19,05
Rullo $\phi$	Roller $\phi$	Rollen $\phi$	$\phi$ du rouleau	Rodillo $\phi$	19,05

CORONE	PLATE WHEELS	KETTENRADSCHIEBEN	DISQUES	DISCOS	ASA 100
Raggio dente r	Tooth radius r	Radius r	Rayon de denture r	Radio diente r	r 33,5
Larghezza raggio C	Radius width C	Breite C	Largeur de rayon C	Ancho radio C	C 4,0
Largh. dente $h_1$	Tooth width $h_1$	Zahnbreite $h_1$	Larg. de denture $h_1$	Ancho diente $h_1$	$h_1$ 18,0
Largh. dente L	Tooth width L	Zahnbreite L	Larg. de denture L	Ancho diente L	L 17,7
Largh. dente $h_2$	Tooth width $h_2$	Zahnbreite $h_2$	Larg. de denture $h_2$	Ancho diente $h_2$	$h_2$ 53,5
Largh. dente $h_3$	Tooth width $h_3$	Zahnbreite $h_3$	Larg. de denture $h_3$	Ancho diente $h_3$	$h_3$ 89,2
Altezza totale H	Full height H	Gesamt Höhe H	Hauteur totale H	Altura total H	H -

Z	D <sub>e</sub>	D <sub>p</sub>	Simplex		Duplex	
			cod.	D	cod.	D
8	98,1	82,96	CS 13A08	16		
9	108,0	92,84	CS 13A09	16		
10	117,9	102,74	CS 13A10	16		
11	127,8	112,68	CS 13A11	16		
12	137,8	122,68	CS 13A12	20		
13	147,8	132,65	CS 13A13	20		
14	157,8	142,68	CS 13A14	20		
15	167,9	152,72	CS 13A15	20		
16	177,9	162,75	CS 13A16	25		
17	187,9	172,78	CS 13A17	25		
18	198,0	182,85	CS 13A18	25		
19	208,1	192,91	CS 13A19	25		
20	218,1	202,98	CS 13A20	25	CD 13A20	25
21	228,2	213,04	CS 13A21	25		
22	238,3	223,11	CS 13A22	25		
23	248,3	233,17	CS 13A23	25		
24	258,4	243,23	CS 13A24	25		
25	268,5	253,33	CS 13A25	25	CD 13A25	25
26	278,6	263,40	CS 13A26	25		
27	288,6	273,40	CS 13A27	25		
28	298,7	283,56	CS 13A28	25		
29	308,8	293,65	CS 13A29	25		
30	318,9	303,75	CS 13A30	25	CD 13A30	25
31	329,0	313,85	CS 13A31	25		
32	339,1	323,91	CS 13A32	25		
33	349,2	334,01	CS 13A33	25		
34	359,3	344,10	CS 13A34	25		
35	369,4	354,20	CS 13A35	25		
36	379,5	364,30	CS 13A36	25		
37	389,5	374,39	CS 13A37	25		
38	399,6	384,49	CS 13A38	25	CD 13A38	30
39	409,7	394,59	CS 13A39	25		
40	419,8	404,68	CS 13A40	25		
45	470,3	455,17	CS 13A45	30	CD 13A45	30
57	591,5	576,36	CS 13A57	30	CD 13A57	30

## Corone / Plate wheels Kettenradscheiben / Disques / Discos

Corone per catene semplici, doppi e triple a rulli secondo: DIN 8188 - ISO/R 606 - ANSI B 29,1

Corone tornite sui lati, dentate con creatore.

Plate wheels for simplex, duplex and triplex chain to: DIN 8188 - ISO/R 606 - ANSI B 29,1

Plate Wheels turned on both sides and toothed by milling cutter.

Kettenradscheiben mit einseitiger Nabe für Simplex-Duplex-Triplex-Rollenkette nach: DIN 8188 - ISO/R 606 - ANSI B 29,1

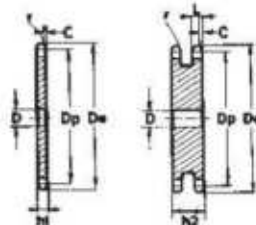
Seitlich plan gedrehte, wälzgefräste Zahnkränze.

Disques avec moyeu déporté pour chaînes simples, doubles et triples à rouleaux suivant les normes: DIN 8188 - ISO/R 606 - ANSI B 29,1

Disques tournés sur les flancs, dentés à la fraise.

Discos para cadena simple, doble y triple de rodillos según: DIN 8188 - ISO/R 606 - ANSI B 29,1

Discos torneadas en los lados, dientes obtenidos con fresa madre.



### 1"1/2 x 1"

### ASA 120 - 1-2-3 38,1 x 25,4 mm

CATENA:	CHAIN:	KETTE:	CHAÎNE:	CADENA:	ASA 120
Passo	Pitch	Teilung	Pas	Paso	38,10
Larghezza interna	Internal width	Innere Breite	Largeur interieure	Ancho interno	25,40
Rullo ø	Roller ø	Rollen ø	ø du rouleau	Rodillo ø	22,22

CORONE	PLATE WHEELS	KETTENRADSCHIEBEN	DISQUES	DISCOS	ASA 120
Raggio dente r	Tooth radius r	Radius r	Rayon de denture r	Radio diente r	r 40,5
Larghezza raggio C	Radius width C	Breite C	Largeur de rayon C	Ancho radio C	C 4,8
Largh. dente h <sub>1</sub>	Tooth width h <sub>1</sub>	Zahnbreite h <sub>1</sub>	Larg. de denture h <sub>1</sub>	Ancho diente h <sub>1</sub>	h <sub>1</sub> 24,1
Largh. dente L	Tooth width L	Zahnbreite L	Larg. de denture L	Ancho diente L	L 23,6
Largh. dente h <sub>2</sub>	Tooth width h <sub>2</sub>	Zahnbreite h <sub>2</sub>	Larg. de denture h <sub>2</sub>	Ancho diente h <sub>2</sub>	h <sub>2</sub> 69,0
Largh. dente h <sub>3</sub>	Tooth width h <sub>3</sub>	Zahnbreite h <sub>3</sub>	Larg. de denture h <sub>3</sub>	Ancho diente h <sub>3</sub>	h <sub>3</sub> 114,5
Altezza totale H	Full height H	Gesamt Höhe H	Hauteur totale H	Altura total H	H -

Z	D <sub>s</sub>	D <sub>p</sub>	Simplex		Duplex	
			cod.	d	cod.	d
16	214,77	195,29	CS 14A16	25	CD 14A17	25
17	226,83	207,35	CS 14A17	25	CD 14A18	25
18	238,89	219,41	CS 14A18	25	CD 14A20	25
20	263,03	243,55	CS 14A20	25	CD 14A25	25
22	287,20	267,72	CS 14A22	25		
25	323,47	303,99	CS 14A25	25		

Z	D <sub>s</sub>	D <sub>p</sub>	Simplex		Duplex	
			cod.	d	cod.	d
30	383,97	364,49	CS 14A30	25	CD 14A30	30
32	408,19	388,71	CS 14A32	30	CD 14A38	30
38	480,85	461,37	CS 14A38	30	CD 14A45	40
45	565,67	546,19	CS 14A45	30	CD 14A57	40
57	711,10	691,62	CS 14A57	30		

### 1"3/4 x 1"1/4

### ASA 140 - 1-2-3 44,45 x 25,4 mm

CATENA:	CHAIN:	KETTE:	CHAÎNE:	CADENA:	ASA 140
Passo	Pitch	Teilung	Pas	Paso	44,45
Larghezza interna	Internal width	Innere Breite	Largeur interieure	Ancho interno	25,40
Rullo ø	Roller ø	Rollen ø	ø du rouleau	Rodillo ø	25,40

CORONE	PLATE WHEELS	KETTENRADSCHIEBEN	DISQUES	DISCOS	ASA 140
Raggio dente r	Tooth radius r	Radius r	Rayon de denture r	Radio diente r	r 47,5
Larghezza raggio C	Radius width C	Breite C	Largeur de rayon C	Ancho radio C	C 5,8
Largh. dente h <sub>1</sub>	Tooth width h <sub>1</sub>	Zahnbreite h <sub>1</sub>	Larg. de denture h <sub>1</sub>	Ancho diente h <sub>1</sub>	h <sub>1</sub> 24,1
Largh. dente L	Tooth width L	Zahnbreite L	Larg. de denture L	Ancho diente L	L 23,6
Largh. dente h <sub>2</sub>	Tooth width h <sub>2</sub>	Zahnbreite h <sub>2</sub>	Larg. de denture h <sub>2</sub>	Ancho diente h <sub>2</sub>	h <sub>2</sub> 72,5
Largh. dente h <sub>3</sub>	Tooth width h <sub>3</sub>	Zahnbreite h <sub>3</sub>	Larg. de denture h <sub>3</sub>	Ancho diente h <sub>3</sub>	h <sub>3</sub> 121,3
Altezza totale H	Full height H	Gesamt Höhe H	Hauteur totale H	Altura total H	H -

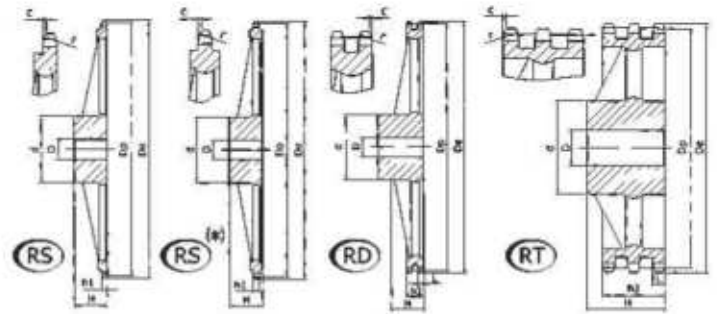
### 2" x 1"1/4

### ASA 160 - 1-2-3 50,8 x 31,75 mm

CATENA:	CHAIN:	KETTE:	CHAÎNE:	CADENA:	ASA 160
Passo	Pitch	Teilung	Pas	Paso	50,80
Larghezza interna	Internal width	Innere Breite	Largeur interieure	Ancho interno	31,75
Rullo ø	Roller ø	Rollen ø	ø du rouleau	Rodillo ø	28,58

CORONE	PLATE WHEELS	KETTENRADSCHIEBEN	DISQUES	DISCOS	ASA 160
Raggio dente r	Tooth radius r	Radius r	Rayon de denture r	Radio diente r	r 54,0
Larghezza raggio C	Radius width C	Breite C	Largeur de rayon C	Ancho radio C	C 7,0
Largh. dente h <sub>1</sub>	Tooth width h <sub>1</sub>	Zahnbreite h <sub>1</sub>	Larg. de denture h <sub>1</sub>	Ancho diente h <sub>1</sub>	h <sub>1</sub> 30,1
Largh. dente L	Tooth width L	Zahnbreite L	Larg. de denture L	Ancho diente L	L 29,5
Largh. dente h <sub>2</sub>	Tooth width h <sub>2</sub>	Zahnbreite h <sub>2</sub>	Larg. de denture h <sub>2</sub>	Ancho diente h <sub>2</sub>	h <sub>2</sub> 88,0
Largh. dente h <sub>3</sub>	Tooth width h <sub>3</sub>	Zahnbreite h <sub>3</sub>	Larg. de denture h <sub>3</sub>	Ancho diente h <sub>3</sub>	h <sub>3</sub> 146,6
Altezza totale H	Full height H	Gesamt Höhe H	Hauteur totale H	Altura total H	H -

**Pignoni in ghisa / Cast iron sprockets**  
**Kettenräder aus Gusseisen / Roues en fonte / Rueda en fundicion**



**Ghisa**                      **Cast iron**                      **Grauguss**                      **Fonte**                      **Hierro fundido**  
**EN-GJL-250 UNI EN 1561**    **EN-GJL-250 UNI EN 1561**    **EN-GJL-250 UNI EN 1561**    **EN-GJL-250 UNI EN 1561**    **EN-GJL-250 UNI EN 1561**

**3/8" x 7/32" - 9,525 x 5,72 mm**

**06B - 1 - 2 - 3 - DIN 8187 ISO/R 606**

CATENA:	CHAIN:	KETTE:	CHAÎNE:	CADENA:	mm
Passo	Pitch	Teilung	Pas	Paso	9,525
Larghezza interna	Internal width	Innere Breite	Largeur interieure	Ancho interno	5,720
Rullo ø	Roller ø	Rollen ø	ø du rouleau	Rodillo ø	6,350

PIGNONE	SPROCKETS	KETTENRÄDER	PIGNONS	PIÑONES	mm
Raggio dente r	Tooth radius r	Radius r	Rayon de denture r	Radio diente r	r 10,0
Larghezza raggio C	Radius width C	Breite C	Largeur de rayon C	Ancho radio C	C 1,0
Largh. dente h <sub>1</sub>	Tooth width h <sub>1</sub>	Zahnbreite h <sub>1</sub>	Larg. de denture h <sub>1</sub>	Ancho diente h <sub>1</sub>	h <sub>1</sub> 5,3
Largh. dente L	Tooth width L	Zahnbreite L	Larg. de denture L	Ancho diente L	L 5,2
Largh. dente h <sub>2</sub>	Tooth width h <sub>2</sub>	Zahnbreite h <sub>2</sub>	Larg. de denture h <sub>2</sub>	Ancho diente h <sub>2</sub>	h <sub>2</sub> 15,4
Largh. dente h <sub>3</sub>	Tooth width h <sub>3</sub>	Zahnbreite h <sub>3</sub>	Larg. de denture h <sub>3</sub>	Ancho diente h <sub>3</sub>	h <sub>3</sub> 25,6
Altezza totale H	Full height H	Gesamt Höhe H	Hauteur totale H	Altura total H	H -

Z	D <sub>e</sub>	D <sub>p</sub>	Simplex				Duplex				Triplex			
			cod.	d	D	H	cod.	d	D	H	cod.	d	D	H
38	119,5	115,34	RS 05038	70	19	32	RD 05038	80	19	40	RT 05038	90	23	56
45	140,7	136,54	RS 05045	70	19	32	RD 05045	80	19	40	RT 05045	90	23	56
57	176,9	172,91	RS 05057	70	19	32	RD 05057	80	19	40	RT 05057	90	23	56
76	234,9	230,49	RS 05076	70	19	32	RD 05076	80	19	40	RT 05076	100	23	56
* 95	292,5	288,08	RS 05095	80	19	40	RD 05095	90	19	45	RT 05095	100	23	56
* 114	349,6	345,68	RS 05114	80	19	40	RD 05114	95	19	45	RT 05114	100	23	56
* 150	459,2	454,82	RS 05150	90	23	45	RD 05150	100	23	50	RT 05150	125	23	60

**1/2" x 5/16" - 12,7 x 7,75 mm**

**08B - 1 - 2 - 3 - DIN 8187 ISO/R 606**

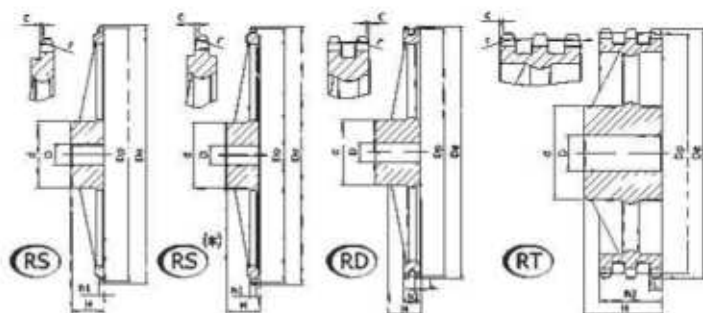
CATENA:	CHAIN:	KETTE:	CHAÎNE:	CADENA:	mm
Passo	Pitch	Teilung	Pas	Paso	12,70
Larghezza interna	Internal width	Innere Breite	Largeur interieure	Ancho interno	7,75
Rullo ø	Roller ø	Rollen ø	ø du rouleau	Rodillo ø	8,51

PIGNONE	SPROCKETS	KETTENRÄDER	PIGNONS	PIÑONES	mm
Raggio dente r	Tooth radius r	Radius r	Rayon de denture r	Radio diente r	r 13,0
Larghezza raggio C	Radius width C	Breite C	Largeur de rayon C	Ancho radio C	C 1,3
Largh. dente h <sub>1</sub>	Tooth width h <sub>1</sub>	Zahnbreite h <sub>1</sub>	Larg. de denture h <sub>1</sub>	Ancho diente h <sub>1</sub>	h <sub>1</sub> 7,2
Largh. dente L	Tooth width L	Zahnbreite L	Larg. de denture L	Ancho diente L	L 7,0
Largh. dente h <sub>2</sub>	Tooth width h <sub>2</sub>	Zahnbreite h <sub>2</sub>	Larg. de denture h <sub>2</sub>	Ancho diente h <sub>2</sub>	h <sub>2</sub> 21,0
Largh. dente h <sub>3</sub>	Tooth width h <sub>3</sub>	Zahnbreite h <sub>3</sub>	Larg. de denture h <sub>3</sub>	Ancho diente h <sub>3</sub>	h <sub>3</sub> 34,9
Altezza totale H	Full height H	Gesamt Höhe H	Hauteur totale H	Altura total H	H -

Z	D <sub>e</sub>	D <sub>p</sub>	Simplex				Duplex				Triplex			
			cod.	d	D	H	cod.	d	D	H	cod.	d	D	H
38	158,6	153,80	RS 09038	70	19	40	RD 09038	90	23	50	RT 09038	100	23	60
45	188,0	182,07	RS 09045	70	19	40	RD 09045	90	23	50	RT 09045	100	23	60
57	236,4	230,54	RS 09057	70	19	40	RD 09057	90	23	50	RT 09057	100	23	60
76	313,3	307,33	RS 09076	80	23	40	RD 09076	100	23	56	RT 09076	100	23	60
* 95	390,1	384,11	RS 09095	80	23	45	RD 09095	100	23	56	RT 09095	120	23	67
* 114	466,9	460,90	RS 09114	80	23	45	RD 09114	100	23	63	RT 09114	120	23	67

**Pignoni in ghisa / Cast iron sprockets**  
**Kettenräder aus Gusseisen / Roues en fonte / Rueda en fundicion**



**Ghisa** EN-GJL-250 UNI EN 1561    **Cast iron** EN-GJL-250 UNI EN 1561    **Grauguss** EN-GJL-250 UNI EN 1561    **Fonte** EN-GJL-250 UNI EN 1561    **Hierro fundido** EN-GJL-250 UNI EN 1561

**5/8" x 3/8" - 15,875 x 9,65 mm**

**10B - 1 - 2 - 3 - DIN 8187 ISO/R 606**

CATENA:	CHAIN:	KETTE:	CHAÎNE:	CADENA:	mm
Passo	Pitch	Teilung	Pas	Paso	15,875
Larghezza interna	Internal width	Innere Breite	Largeur interieure	Ancho interno	9,650
Rullo ø	Roller ø	Rollen ø	ø du rouleau	Rodillo ø	10,160

PIGNONE	SPROCKETS	KETTENRÄDER	PIGNONS	PIÑONES	mm
Raggio dente r	Tooth radius r	Radius r	Rayon de denture r	Radio diente r	r 16,0
Larghezza raggio C	Radius width C	Breite C	Largeur de rayon C	Ancho radio C	C 1,6
Largh. dente h <sub>1</sub>	Tooth width h <sub>1</sub>	Zahnbreite h <sub>1</sub>	Larg. de denture h <sub>1</sub>	Ancho diente h <sub>1</sub>	h <sub>1</sub> 9,1
Largh. dente L	Tooth width L	Zahnbreite L	Larg. de denture L	Ancho diente L	L 9,0
Largh. dente h <sub>2</sub>	Tooth width h <sub>2</sub>	Zahnbreite h <sub>2</sub>	Larg. de denture h <sub>2</sub>	Ancho diente h <sub>2</sub>	h <sub>2</sub> 25,5
Largh. dente h <sub>3</sub>	Tooth width h <sub>3</sub>	Zahnbreite h <sub>3</sub>	Larg. de denture h <sub>3</sub>	Ancho diente h <sub>3</sub>	h <sub>3</sub> 42,1
Altezza totale H	Full height H	Gesamt Höhe H	Hauteur totale H	Altura total H	H -

Z	D <sub>s</sub>	D <sub>p</sub>	Simplex				Duplex				Triplex			
			cod.	d	D	H	cod.	d	D	H	cod.	d	D	H
38	199,2	192,24	RS 10038	80	19	40	RD 10038	100	29	50	RT 10038	100	31	60
45	235,0	227,58	RS 10045	80	19	40	RD 10045	100	29	50	RT 10045	100	31	60
57	296,0	288,18	RS 10057	90	23	45	RD 10057	100	29	56	RT 10057	100	31	63
* 76	392,1	384,16	RS 10076	90	23	50	RD 10076	100	29	63	RT 10076	110	34	67
* 95	488,5	480,14	RS 10095	100	23	56	RD 10095	110	29	63	RT 10095	125	34	70
* 114	584,1	576,13	RS 10114	100	23	56	RD 10114	125	29	70	RT 10114	125	34	80

**3/4" x 7/16" - 19,05 x 11,68 mm**

**12B - 1 - 2 - 3 - DIN 8187 ISO/R 606**

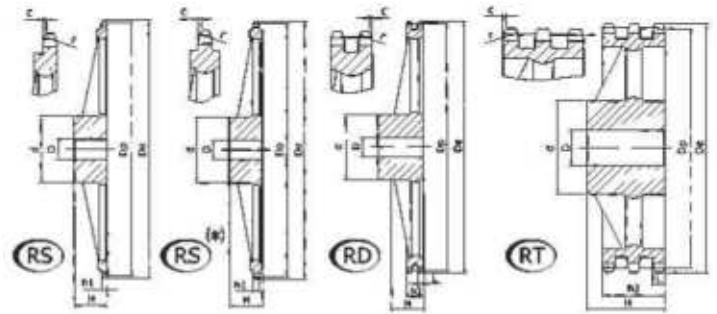
CATENA:	CHAIN:	KETTE:	CHAÎNE:	CADENA:	mm
Passo	Pitch	Teilung	Pas	Paso	19,05
Larghezza interna	Internal width	Innere Breite	Largeur interieure	Ancho interno	11,68
Rullo ø	Roller ø	Rollen ø	ø du rouleau	Rodillo ø	12,07

PIGNONE	SPROCKETS	KETTENRÄDER	PIGNONS	PIÑONES	mm
Raggio dente r	Tooth radius r	Radius r	Rayon de denture r	Radio diente r	r 19,0
Larghezza raggio C	Radius width C	Breite C	Largeur de rayon C	Ancho radio C	C 2,0
Largh. dente h <sub>1</sub>	Tooth width h <sub>1</sub>	Zahnbreite h <sub>1</sub>	Larg. de denture h <sub>1</sub>	Ancho diente h <sub>1</sub>	h <sub>1</sub> 11,1
Largh. dente L	Tooth width L	Zahnbreite L	Larg. de denture L	Ancho diente L	L 10,8
Largh. dente h <sub>2</sub>	Tooth width h <sub>2</sub>	Zahnbreite h <sub>2</sub>	Larg. de denture h <sub>2</sub>	Ancho diente h <sub>2</sub>	h <sub>2</sub> 30,3
Largh. dente h <sub>3</sub>	Tooth width h <sub>3</sub>	Zahnbreite h <sub>3</sub>	Larg. de denture h <sub>3</sub>	Ancho diente h <sub>3</sub>	h <sub>3</sub> 49,8
Altezza totale H	Full height H	Gesamt Höhe H	Hauteur totale H	Altura total H	H -

Z	D <sub>s</sub>	D <sub>p</sub>	Simplex				Duplex				Triplex			
			cod.	d	D	H	cod.	d	D	H	cod.	d	D	H
38	239,0	230,69	RS 11038	100	23	56	RD 11038	110	29	63	RT 11038	140	30	70
45	282,5	273,10	RS 11045	100	23	56	RD 11045	110	29	63	RT 11045	140	30	70
57	355,4	345,81	RS 11057	100	29	56	RD 11057	120	29	63	RT 11057	140	39	70
* 76	469,9	460,99	RS 11076	100	29	56	RD 11076	135	29	63	RT 11076	160	39	75
* 95	585,1	576,17	RS 11095	100	29	65	RD 11095	135	29	70	RT 11095	170	39	82
* 114	700,6	691,36	RS 11114	100	29	65	RD 11114	135	29	70	RT 11114	170	49	82



**Pignoni in ghisa / Cast iron sprockets**  
**Kettenräder aus Gusseisen / Roues en fonte / Rueda en fundicion**



**Ghisa**                      **Cast iron**                      **Grauguss**                      **Fonte**                      **Hierro fundido**  
**EN-GJL-250 UNI EN 1561**    **EN-GJL-250 UNI EN 1561**    **EN-GJL-250 UNI EN 1561**    **EN-GJL-250 UNI EN 1561**    **EN-GJL-250 UNI EN 1561**

**1" x 17,02 mm - 25,4 x 17,02 mm**

**16B - 1 - 2 - 3 - DIN 8187 ISO/R 606**

CATENA:	CHAIN:	KETTE:	CHAÎNE:	CADENA:	mm
Passo	Pitch	Teilung	Pas	Paso	25,40
Larghezza interna	Internal width	Innere Breite	Largeur intérieure	Ancho interno	17,02
Rullo ø	Roller ø	Rollen ø	ø du rouleau	Rodillo ø	15,88
PIGNONE	SPROCKETS	KETTENRÄDER	PIGNONS	PIÑONES	mm
Raggio dente r	Tooth radius r	Radius r	Rayon de denture r	Radio diente r	r 26,0
Larghezza raggio C	Radius width C	Breite C	Largeur de rayon C	Ancho radio C	C 2,5
Largh. dente h <sub>1</sub>	Tooth width h <sub>1</sub>	Zahnbreite h <sub>1</sub>	Larg. de denture h <sub>1</sub>	Ancho diente h <sub>1</sub>	h <sub>1</sub> 16,2
Largh. dente L	Tooth width L	Zahnbreite L	Larg. de denture L	Ancho diente L	L 15,8
Largh. dente h <sub>2</sub>	Tooth width h <sub>2</sub>	Zahnbreite h <sub>2</sub>	Larg. de denture h <sub>2</sub>	Ancho diente h <sub>2</sub>	h <sub>2</sub> 47,7
Largh. dente h <sub>3</sub>	Tooth width h <sub>3</sub>	Zahnbreite h <sub>3</sub>	Larg. de denture h <sub>3</sub>	Ancho diente h <sub>3</sub>	h <sub>3</sub> 79,6
Altezza totale H	Full height H	Gesamt Höhe H	Hauteur totale H	Altura total H	H -

Z	D <sub>s</sub>	D <sub>p</sub>	Simplex			Duplex			Triplex					
			cod.	d	D	H	cod.	d	D	H	cod.	d	D	H
38	320,0	307,59	RS 12038	110	29	65	RD 12038	140	39	75	RT 12038	160	44	100
45	377,1	364,12	RS 12045	125	29	70	RD 12045	150	39	75	RT 12045	160	44	100
57	474,0	461,07	RS 12057	125	34	70	RD 12057	170	39	90	RT 12057	165	44	100
76	627,0	614,65	RS 12076	140	34	80	RD 12076	175	39	95	RT 12076	200	44	110
95	781,1	768,22	RS 12095	140	39	80	RD 12095	175	44	95	RT 12095	200	49	110
* 114	934,3	921,81	RS 12114	140	39	80	RD 12114	175	44	95	RT 12114	200	49	115

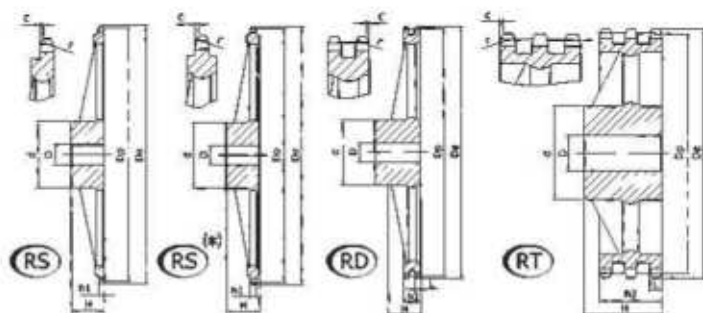
**1"1/4 x 3/4" - 31,75 x 19,56 mm**

**20B - 1 - 2 - 3 - DIN 8187 ISO/R 606**

CATENA:	CHAIN:	KETTE:	CHAÎNE:	CADENA:	mm
Passo	Pitch	Teilung	Pas	Paso	31,75
Larghezza interna	Internal width	Innere Breite	Largeur intérieure	Ancho interno	19,56
Rullo ø	Roller ø	Rollen ø	ø du rouleau	Rodillo ø	19,05
PIGNONE	SPROCKETS	KETTENRÄDER	PIGNONS	PIÑONES	mm
Raggio dente r	Tooth radius r	Radius r	Rayon de denture r	Radio diente r	r 32,0
Larghezza raggio C	Radius width C	Breite C	Largeur de rayon C	Ancho radio C	C 3,5
Largh. dente h <sub>1</sub>	Tooth width h <sub>1</sub>	Zahnbreite h <sub>1</sub>	Larg. de denture h <sub>1</sub>	Ancho diente h <sub>1</sub>	h <sub>1</sub> 18,5
Largh. dente L	Tooth width L	Zahnbreite L	Larg. de denture L	Ancho diente L	L 18,2
Largh. dente h <sub>2</sub>	Tooth width h <sub>2</sub>	Zahnbreite h <sub>2</sub>	Larg. de denture h <sub>2</sub>	Ancho diente h <sub>2</sub>	h <sub>2</sub> 54,6
Largh. dente h <sub>3</sub>	Tooth width h <sub>3</sub>	Zahnbreite h <sub>3</sub>	Larg. de denture h <sub>3</sub>	Ancho diente h <sub>3</sub>	h <sub>3</sub> 91,0
Altezza totale H	Full height H	Gesamt Höhe H	Hauteur totale H	Altura total H	H -

Z	D <sub>s</sub>	D <sub>p</sub>	Simplex			Duplex			Triplex					
			cod.	d	D	H	cod.	d	D	H	cod.	d	D	H
38	399,6	384,49	RS 13038	125	35	70	RD 13038	140	44	90	RT 13038	180	56	110
45	470,3	455,17	RS 13045	125	35	70	RD 13045	140	44	90	RT 13045	180	56	110
57	591,5	576,36	RS 13057	135	40	80	RD 13057	160	50	100	RT 13057	180	60	125
76	783,5	768,32	RS 13076	140	40	90	RD 13076	180	50	100	RT 13076	200	60	140

**Pignoni in ghisa / Cast iron sprockets**  
**Kettenräder aus Gusseisen / Roues en fonte / Rueda en fundicion**



**Ghisa** EN-GJL-250 UNI EN 1561    **Cast iron** EN-GJL-250 UNI EN 1561    **Grauguss** EN-GJL-250 UNI EN 1561    **Fonte** EN-GJL-250 UNI EN 1561    **Hierro fundido** EN-GJL-250 UNI EN 1561

**1"1/2 x 1" - 38,1 x 25,4 mm**

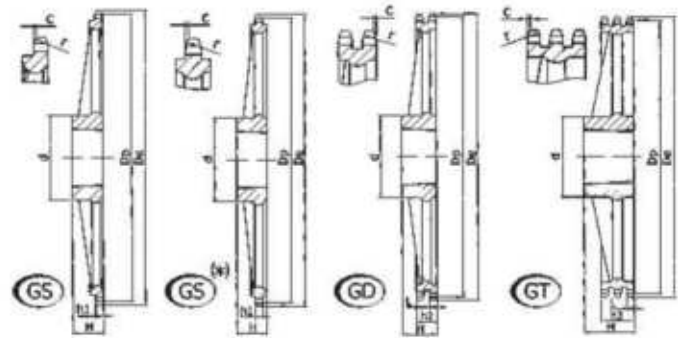
**24B - 1 - 2 - 3 - DIN 8187 ISO/R 606**

CATENA:	CHAIN:	KETTE:	CHAÎNE:	CADENA:	mm
Passo	Pitch	Teilung	Pas	Paso	38,1
Larghezza interna	Internal width	Innere Breite	Largeur interieure	Ancho interno	25,4
Rullo ø	Roller ø	Rollen ø	ø du rouleau	Rodillo ø	25,4

PIGNONE	SPROCKETS	KETTENRÄDER	PIGNONS	PIÑONES	mm
Raggio dente r	Tooth radius r	Radius r	Rayon de denture r	Radio diente r	r 38,0
Larghezza raggio C	Radius width C	Breite C	Largeur de rayon C	Ancho radio C	C 4,0
Largh. dente h <sub>1</sub>	Tooth width h <sub>1</sub>	Zahnbreite h <sub>1</sub>	Larg. de denture h <sub>1</sub>	Ancho diente h <sub>1</sub>	h <sub>1</sub> 24,1
Largh. dente L	Tooth width L	Zahnbreite L	Larg. de denture L	Ancho diente L	L 23,6
Largh. dente h <sub>2</sub>	Tooth width h <sub>2</sub>	Zahnbreite h <sub>2</sub>	Larg. de denture h <sub>2</sub>	Ancho diente h <sub>2</sub>	h <sub>2</sub> 72,0
Largh. dente h <sub>3</sub>	Tooth width h <sub>3</sub>	Zahnbreite h <sub>3</sub>	Larg. de denture h <sub>3</sub>	Ancho diente h <sub>3</sub>	h <sub>3</sub> 120,3
Altezza totale H	Full height H	Gesamt Höhe H	Hauteur totale H	Altura total H	H -

Z	D <sub>s</sub>	D <sub>p</sub>	Simplex			Duplex			Triplex					
			cod.	d	D	H	cod.	d	D	H	cod.	d	D	H
38	476,2	461,39	RS 14038	140	45	90	RD 14038	180	45	100	RT 14038	200	60	150
45	561,2	546,20	RS 14045	140	45	90	RD 14045	180	45	100	RT 14045	200	60	150
57	706,5	691,63	RS 14057	160	45	100	RD 14057	200	55	110	RT 14057	200	70	150
76	936,9	921,98	RS 14076	170	45	100	RD 14076	220	55	120	RT 14076	250	70	150
* 95	1167,3	1152,33	RS 14095	200	50	125	RD 14095	220	55	140				

**Pignoni in ghisa per bussola / Taper bored cast iron sprockets**  
**Kettenräder aus Gusseisen für Spannbuchsen / Roues en fonte à moyeu amovible**  
**Rueda en fundicion para casquillos conicos**



**Ghisa** EN-GJL-250 UNI EN 1561    **Cast iron** EN-GJL-250 UNI EN 1561    **Grauguss** EN-GJL-250 UNI EN 1561    **Fonte** EN-GJL-250 UNI EN 1561    **Hierro fundido** EN-GJL-250 UNI EN 1561

**3/8" x 7/32" - 9,525 x 5,72 mm**

**06B - 1 - 2 - 3 - DIN 8187 ISO/R 606**

CATENA:	CHAIN:	KETTE:	CHAÎNE:	CADENA:	mm
Passo	Pitch	Teilung	Pas	Paso	<b>9,525</b>
Larghezza interna	Internal width	Innere Breite	Largeur interieure	Ancho interno	<b>5,720</b>
Rullo ø	Roller ø	Rollen ø	ø du rouleau	Rodillo ø	<b>6,350</b>
PIGNONE	SPROCKETS	KETTENRÄDER	PIGNONS	PIÑONES	mm
Raggio dente r	Tooth radius r	Radius r	Rayon de denture r	Radio diente r	<b>r 10,0</b>
Larghezza raggio C	Radius width C	Breite C	Largeur de rayon C	Ancho radio C	<b>C 1,0</b>
Largh. dente h <sub>1</sub>	Tooth width h <sub>1</sub>	Zahnbreite h <sub>1</sub>	Larg. de denture h <sub>1</sub>	Ancho diente h <sub>1</sub>	<b>h<sub>1</sub> 5,3</b>
Largh. dente L	Tooth width L	Zahnbreite L	Larg. de denture L	Ancho diente L	<b>L 5,2</b>
Largh. dente h <sub>2</sub>	Tooth width h <sub>2</sub>	Zahnbreite h <sub>2</sub>	Larg. de denture h <sub>2</sub>	Ancho diente h <sub>2</sub>	<b>h<sub>2</sub> 15,4</b>
Largh. dente h <sub>3</sub>	Tooth width h <sub>3</sub>	Zahnbreite h <sub>3</sub>	Larg. de denture h <sub>3</sub>	Ancho diente h <sub>3</sub>	<b>h<sub>3</sub> 25,6</b>
Altezza totale H	Full height H	Gesamt Höhe H	Hauteur totale H	Altura total H	<b>H -</b>

Z	D <sub>e</sub>	D <sub>p</sub>	Simplex			Duplex			Triplex					
			cod.	d	H	cod.	d	H	cod.	d	H			
45	140,7	136,54	GS 05045	70	25	1210	GD 05045	80	25	1610	GT 05045	80	38	1615
57	176,9	172,91	GS 05057	83	25	1210	GD 05057	90	25	1610	GT 05057	90	38	1615
76	234,9	230,49	GS 05076	83	25	1210	GD 05076	90	25	1610	GT 05076	111	32	2012
95	292,5	288,08	GS 05095	83	25	1210	GD 05095	90	25	1610	GT 05095	111	32	2012
* 114	349,6	345,68	GS 05114	83	38	1215	GD 05114	90	38	1615	GT 05114	111	32	2012

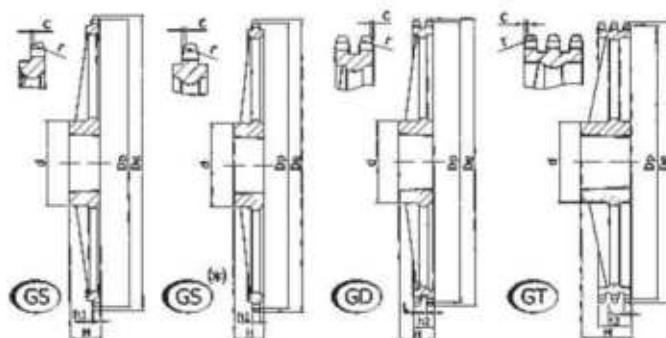
**1/2" x 5/16" - 12,7 x 7,75 mm**

**08B - 1 - 2 - 3 - DIN 8187 ISO/R 606**

CATENA:	CHAIN:	KETTE:	CHAÎNE:	CADENA:	mm
Passo	Pitch	Teilung	Pas	Paso	<b>12,70</b>
Larghezza interna	Internal width	Innere Breite	Largeur interieure	Ancho interno	<b>7,75</b>
Rullo ø	Roller ø	Rollen ø	ø du rouleau	Rodillo ø	<b>8,51</b>
PIGNONE	SPROCKETS	KETTENRÄDER	PIGNONS	PIÑONES	mm
Raggio dente r	Tooth radius r	Radius r	Rayon de denture r	Radio diente r	<b>r 13,0</b>
Larghezza raggio C	Radius width C	Breite C	Largeur de rayon C	Ancho radio C	<b>C 1,3</b>
Largh. dente h <sub>1</sub>	Tooth width h <sub>1</sub>	Zahnbreite h <sub>1</sub>	Larg. de denture h <sub>1</sub>	Ancho diente h <sub>1</sub>	<b>h<sub>1</sub> 7,2</b>
Largh. dente L	Tooth width L	Zahnbreite L	Larg. de denture L	Ancho diente L	<b>L 7,0</b>
Largh. dente h <sub>2</sub>	Tooth width h <sub>2</sub>	Zahnbreite h <sub>2</sub>	Larg. de denture h <sub>2</sub>	Ancho diente h <sub>2</sub>	<b>h<sub>2</sub> 21,0</b>
Largh. dente h <sub>3</sub>	Tooth width h <sub>3</sub>	Zahnbreite h <sub>3</sub>	Larg. de denture h <sub>3</sub>	Ancho diente h <sub>3</sub>	<b>h<sub>3</sub> 34,9</b>
Altezza totale H	Full height H	Gesamt Höhe H	Hauteur totale H	Altura total H	<b>H -</b>

Z	D <sub>e</sub>	D <sub>p</sub>	Simplex			Duplex			Triplex					
			cod.	d	H	cod.	d	H	cod.	d	H			
45	188,0	182,07	GS 09045	100	32	2012	GD 09045	100	32	2012	GT 09045	118	45	2517
57	236,4	230,54	GS 09057	111	32	2012	GD 09057	111	32	2012	GT 09057	124	45	2517
76	313,3	307,33	GS 09076	111	32	2012	GD 09076	111	32	2012	GT 09076	124	45	2517
95	390,1	384,11	GS 09095	111	32	2012	GD 09095	111	32	2012	GT 09095	160	51	3020
* 114	466,9	460,90	GS 09114	124	45	2517	GD 09114	124	45	2517	GT 09114	160	51	3020

**Pignoni in ghisa per bussola / Taper bored cast iron sprockets**  
**Kettenräder aus Gusseisen für Spannbuchsen / Roues en fonte à moyeu amovible**  
**Rueda en fundicion para casquillos cónicos**



**Ghisa** EN-GJL-250 UNI EN 1561    **Cast iron** EN-GJL-250 UNI EN 1561    **Grauguss** EN-GJL-250 UNI EN 1561    **Fonte** EN-GJL-250 UNI EN 1561    **Hierro fundido** EN-GJL-250 UNI EN 1561

**5/8" x 3/8" - 15,875 x 9,65 mm**

**10B - 1 - 2 - 3 - DIN 8187 ISO/R 606**

CATENA:	CHAIN:	KETTE:	CHAÎNE:	CADENA:	mm
Passo	Pitch	Teilung	Pas	Paso	15,875
Larghezza interna	Internal width	Innere Breite	Largeur interieure	Ancho interno	9,650
Rullo ø	Roller ø	Rollen ø	ø du rouleau	Rodillo ø	10,160
PIGNONE	SPROCKETS	KETTENRÄDER	PIGNONS	PIÑONES	mm
Raggio dente r	Tooth radius r	Radius r	Rayon de denture r	Radio diente r	r 16,0
Larghezza raggio C	Radius width C	Breite C	Largeur de rayon C	Ancho radio C	C 1,6
Largh. dente h <sub>1</sub>	Tooth width h <sub>1</sub>	Zahnbreite h <sub>1</sub>	Larg. de denture h <sub>1</sub>	Ancho diente h <sub>1</sub>	h <sub>1</sub> 9,1
Largh. dente L	Tooth width L	Zahnbreite L	Larg. de denture L	Ancho diente L	L 9,0
Largh. dente h <sub>2</sub>	Tooth width h <sub>2</sub>	Zahnbreite h <sub>2</sub>	Larg. de denture h <sub>2</sub>	Ancho diente h <sub>2</sub>	h <sub>2</sub> 25,5
Largh. dente h <sub>3</sub>	Tooth width h <sub>3</sub>	Zahnbreite h <sub>3</sub>	Larg. de denture h <sub>3</sub>	Ancho diente h <sub>3</sub>	h <sub>3</sub> 42,1
Altezza totale H	Full height H	Gesamt Höhe H	Hauteur totale H	Altura total H	H -

Z	D <sub>e</sub>	D <sub>f</sub>	Simplex			Duplex			Triplex					
			cod.	d	H	cod.	d	H	cod.	d	H			
												per Bussola for Bush für Buchse pour Moyeux amovibles para Casquillos cónicos		
45	235,0	227,58	GS 10045	100	32	2012	GD 10045	110	45	2517	GT 10045	118	64	2525
57	296,0	288,18	GS 10057	111	32	2012	GD 10057	124	45	2517	GT 10057	160	51	3020
76	392,1	384,16	GS 10076	111	32	2012	GD 10076	160	51	3020	GT 10076	160	51	3020
*95	488,5	480,14	GS 10095	124	45	2517	GD 10095	160	51	3020	GT 10095	160	51	3020
*114	584,1	576,13	GS 10114	124	45	2517	GD 10114	160	51	3020	GT 10114	160	51	3020

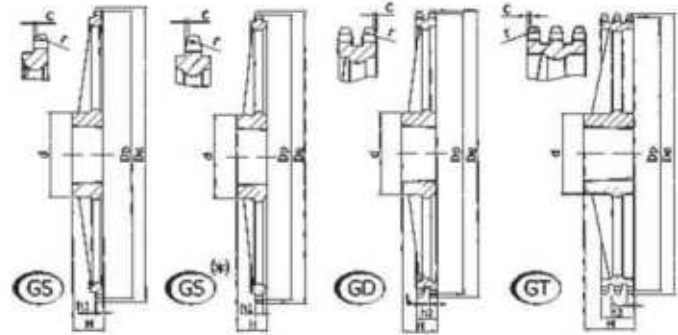
**3/4" x 7/16" - 19,05 x 11,68 mm**

**12B - 1 - 2 - 3 - DIN 8187 ISO/R 606**

CATENA:	CHAIN:	KETTE:	CHAÎNE:	CADENA:	mm
Passo	Pitch	Teilung	Pas	Paso	19,05
Larghezza interna	Internal width	Innere Breite	Largeur interieure	Ancho interno	11,68
Rullo ø	Roller ø	Rollen ø	ø du rouleau	Rodillo ø	12,07
PIGNONE	SPROCKETS	KETTENRÄDER	PIGNONS	PIÑONES	mm
Raggio dente r	Tooth radius r	Radius r	Rayon de denture r	Radio diente r	r 19,0
Larghezza raggio C	Radius width C	Breite C	Largeur de rayon C	Ancho radio C	C 2,0
Largh. dente h <sub>1</sub>	Tooth width h <sub>1</sub>	Zahnbreite h <sub>1</sub>	Larg. de denture h <sub>1</sub>	Ancho diente h <sub>1</sub>	h <sub>1</sub> 11,1
Largh. dente L	Tooth width L	Zahnbreite L	Larg. de denture L	Ancho diente L	L 10,8
Largh. dente h <sub>2</sub>	Tooth width h <sub>2</sub>	Zahnbreite h <sub>2</sub>	Larg. de denture h <sub>2</sub>	Ancho diente h <sub>2</sub>	h <sub>2</sub> 30,3
Largh. dente h <sub>3</sub>	Tooth width h <sub>3</sub>	Zahnbreite h <sub>3</sub>	Larg. de denture h <sub>3</sub>	Ancho diente h <sub>3</sub>	h <sub>3</sub> 49,8
Altezza totale H	Full height H	Gesamt Höhe H	Hauteur totale H	Altura total H	H -

Z	D <sub>e</sub>	D <sub>f</sub>	Simplex			Duplex			Triplex					
			cod.	d	H	cod.	d	H	cod.	d	H			
												per Bussola for Bush für Buchse pour Moyeux amovibles para Casquillos cónicos		
*45	282,5	273,10	GS 11045	118	45	2517	GD 11045	154	51	3020	GT 11045	160	51	3020
*57	355,4	345,81	GS 11057	124	45	2517	GD 11057	160	51	3020	GT 11057	160	51	3020
*76	469,9	460,99	GS 11076	124	45	2517	GD 11076	160	51	3020	GT 11076	160	51	3020
*95	585,1	576,17	GS 11095	124	45	2517	GD 11095	160	51	3020	GT 11095	160	76	3030
*114	700,6	691,36	GS 11114	124	64	2517	GD 11114	160	76	3030	GT 11114	160	76	3030

**Pignoni in ghisa per bussola / Taper bored cast iron sprockets**  
**Kettenräder aus Gusseisen für Spannbuchsen / Roues en fonte à moyeu amovible**  
**Rueda en fundicion para casquillos conicos**



**Ghisa** EN-GJL-250 UNI EN 1561    **Cast iron** EN-GJL-250 UNI EN 1561    **Grauguss** EN-GJL-250 UNI EN 1561    **Fonte** EN-GJL-250 UNI EN 1561    **Hierro fundido** EN-GJL-250 UNI EN 1561

**1" x 17,02 mm - 25,4 x 17,02 mm**

**16B - 1 - 2 - 3 - DIN 8187 ISO/R 606**

CATENA:	CHAIN:	KETTE:	CHAÎNE:	CADENA:	mm
Passo	Pitch	Teilung	Pas	Paso	25,40
Larghezza interna	Internal width	Innere Breite	Largeur interieure	Ancho interno	17,02
Rullo ø	Roller ø	Rollen ø	ø du rouleau	Rodillo ø	15,88
PIGNONE	SPROCKETS	KETTENRÄDER	PIGNONS	PIÑONES	mm
Raggio dente r	Tooth radius r	Radius r	Rayon de denture r	Radio diente r	r 26,0
Larghezza raggio C	Radius width C	Breite C	Largeur de rayon C	Ancho radio C	C 2,5
Largh. dente h <sub>1</sub>	Tooth width h <sub>1</sub>	Zahnbreite h <sub>1</sub>	Larg. de denture h <sub>1</sub>	Ancho diente h <sub>1</sub>	h <sub>1</sub> 16,2
Largh. dente L	Tooth width L	Zahnbreite L	Larg. de denture L	Ancho diente L	L 15,8
Largh. dente h <sub>2</sub>	Tooth width h <sub>2</sub>	Zahnbreite h <sub>2</sub>	Larg. de denture h <sub>2</sub>	Ancho diente h <sub>2</sub>	h <sub>2</sub> 47,7
Largh. dente h <sub>3</sub>	Tooth width h <sub>3</sub>	Zahnbreite h <sub>3</sub>	Larg. de denture h <sub>3</sub>	Ancho diente h <sub>3</sub>	h <sub>3</sub> 79,6
Altezza totale H	Full height H	Gesamt Höhe H	Hauteur totale H	Altura total H	H -

Z	D <sub>e</sub>	D <sub>p</sub>	Simplex			Duplex				Triplex				
			cod.	d	H	cod.	d	H	per Bussola for Bush für Buchse pour Moyeux amovibles para Casquillos cónicos	cod.	d	H	per Bussola for Bush für Buchse pour Moyeux amovibles para Casquillos cónicos	
* 38	320,0	307,59	GS 12038	160	51	3020	GD 12038	160	76	3030	GT 12038	178	89	3535
* 45	377,1	364,12	GS 12045	160	51	3020	GD 12045	160	76	3030	GT 12045	216	102	4040
* 57	474,0	461,07	GS 12057	160	51	3020	GD 12057	175	89	3535	GT 12057	216	102	4040
* 76	627,0	614,65	GS 12076	160	51	3020	GD 12076	175	89	3535	GT 12076	216	102	4040
* 95	781,1	768,22	GS 12095	160	51	3020	GD 12095	215	102	4040	GT 12095	240	102	4040
* 114	934,3	921,81	GS 12114	160	76	3030	GD 12114	215	102	4040	GT 12114	260	114	4545

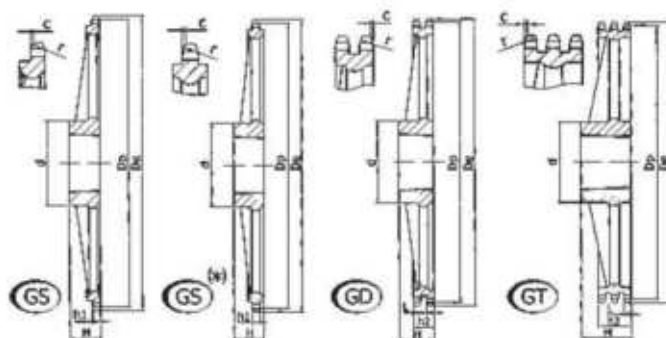
**1" 1/4 x 3/4" - 31,75 x 19,56 mm**

**20B - 1 - 2 - 3 - DIN 8187 ISO/R 606**

CATENA:	CHAIN:	KETTE:	CHAÎNE:	CADENA:	mm
Passo	Pitch	Teilung	Pas	Paso	31,75
Larghezza interna	Internal width	Innere Breite	Largeur interieure	Ancho interno	19,56
Rullo ø	Roller ø	Rollen ø	ø du rouleau	Rodillo ø	19,05
PIGNONE	SPROCKETS	KETTENRÄDER	PIGNONS	PIÑONES	mm
Raggio dente r	Tooth radius r	Radius r	Rayon de denture r	Radio diente r	r 32,0
Larghezza raggio C	Radius width C	Breite C	Largeur de rayon C	Ancho radio C	C 3,5
Largh. dente h <sub>1</sub>	Tooth width h <sub>1</sub>	Zahnbreite h <sub>1</sub>	Larg. de denture h <sub>1</sub>	Ancho diente h <sub>1</sub>	h <sub>1</sub> 18,5
Largh. dente L	Tooth width L	Zahnbreite L	Larg. de denture L	Ancho diente L	L 18,2
Largh. dente h <sub>2</sub>	Tooth width h <sub>2</sub>	Zahnbreite h <sub>2</sub>	Larg. de denture h <sub>2</sub>	Ancho diente h <sub>2</sub>	h <sub>2</sub> 54,6
Largh. dente h <sub>3</sub>	Tooth width h <sub>3</sub>	Zahnbreite h <sub>3</sub>	Larg. de denture h <sub>3</sub>	Ancho diente h <sub>3</sub>	h <sub>3</sub> 91,0
Altezza totale H	Full height H	Gesamt Höhe H	Hauteur totale H	Altura total H	H -

Z	D <sub>e</sub>	D <sub>p</sub>	Simplex			Duplex				Triplex				
			cod.	d	H	cod.	d	H	per Bussola for Bush für Buchse pour Moyeux amovibles para Casquillos cónicos	cod.	d	H	per Bussola for Bush für Buchse pour Moyeux amovibles para Casquillos cónicos	
* 38	399,6	384,49	GS 13038	160	51	3020	GD 13038	160	76	3030	GT 13038	178	89	3535
* 45	470,3	455,17	GS 13045	160	51	3020	GD 13045	160	76	3030	GT 13045	216	102	4040
* 57	591,5	576,36	GS 13057	160	51	3020	GD 13057	175	89	3535	GT 13057	216	102	4040
* 76	783,5	768,32	GS 13076	160	51	3020	GD 13076	175	89	3535	GT 13076	240	102	4040
* 95	975,2	960,28	GS 13095	160	76	3030	GD 13095	240	102	4040	GT 13095	260	114	4545
* 114	1167,4	1152,26	GS 13114	240	102	4040	GD 13114	260	114	4545	GT 13114	278	127	5050

**Pignoni in ghisa per bussola / Taper bored cast iron sprockets**  
**Kettenräder aus Gusseisen für Spannbuchsen / Roues en fonte à moyeu amovible**  
**Rueda en fundicion para casquillos conicos**



**Ghisa** EN-GJL-250 UNI EN 1561    **Cast iron** EN-GJL-250 UNI EN 1561    **Grauguss** EN-GJL-250 UNI EN 1561    **Fonte** EN-GJL-250 UNI EN 1561    **Hierro fundido** EN-GJL-250 UNI EN 1561

**1"1/2 x 1" - 38,1 x 25,4 mm**

**24B - 1 - 2 - 3 - DIN 8187 ISO/R 606**

CATENA:	CHAIN:	KETTE:	CHAÎNE:	CADENA:	mm
Passo	Pitch	Teilung	Pas	Paso	38,1
Larghezza interna	Internal width	Innere Breite	Largeur interieure	Ancho interno	25,4
Rullo ø	Roller ø	Rollen ø	ø du rouleau	Rodillo ø	25,4
PIGNONE	SPROCKETS	KETTENRÄDER	PIGNONS	PIÑONES	mm
Raggio dente r	Tooth radius r	Radius r	Rayon de denture r	Radio diente r	r 38,0
Larghezza raggio C	Radius width C	Breite C	Largeur de rayon C	Ancho radio C	C 4,0
Largh. dente h <sub>1</sub>	Tooth width h <sub>1</sub>	Zahnbreite h <sub>1</sub>	Larg. de denture h <sub>1</sub>	Ancho diente h <sub>1</sub>	h <sub>1</sub> 24,1
Largh. dente L	Tooth width L	Zahnbreite L	Larg. de denture L	Ancho diente L	L 23,6
Largh. dente h <sub>2</sub>	Tooth width h <sub>2</sub>	Zahnbreite h <sub>2</sub>	Larg. de denture h <sub>2</sub>	Ancho diente h <sub>2</sub>	h <sub>2</sub> 72,0
Largh. dente h <sub>3</sub>	Tooth width h <sub>3</sub>	Zahnbreite h <sub>3</sub>	Larg. de denture h <sub>3</sub>	Ancho diente h <sub>3</sub>	h <sub>3</sub> 120,3
Altezza totale H	Full height H	Gesamt Höhe H	Hauteur totale H	Altura total H	H -

Z	D <sub>e</sub>	D <sub>f</sub>	Simplex				Duplex				Triplex			
			cod.	d	H	per Bussola for Bush für Buchse pour Moyeux amovibles para Casquillos cónicos	cod.	d	H	per Bussola for Bush für Buchse pour Moyeux amovibles para Casquillos cónicos	cod.	d	H	per Bussola for Bush für Buchse pour Moyeux amovibles para Casquillos cónicos
* 30	379,5	364,50	GS 14030	160	76	3030	GD 14030	160	76	3030	GT 14030	178	89	3535
* 38	476,2	461,39	GS 14038	160	76	3030	GD 14038	175	89	3535	GT 14038	216	102	4040
* 45	561,2	546,20	GS 14045	160	76	3030	GD 14045	175	89	3535	GT 14045	216	102	4040
* 57	706,5	691,63	GS 14057	160	76	3030	GD 14057	175	89	3535	GT 14057	240	102	4040
* 76	936,9	921,98	GS 14076	160	76	3030	GD 14076	240	102	4040	GT 14076	260	114	4545
* 95	1167,3	1152,33	GS 14095	260	114	4545	GD 14095	278	127	5050	GT 14095	278	127	5050

**Corone per trasportatori ed elevatori**  
**Plate wheels for chain conveyors and chain elevators**  
**Kettenradscheiben für Transport-und Förderketten**  
**Disques pour transporteurs et elevateurs**  
**Discos para cadena de transportadores y elevadores**



Passo / Pitch  
 Teilung / Pas / Paso

**P.50**

Rullo / Roller  
 Rollen / Rouleau / Rodillo

**R.25 R.31**

CATENA:	CHAIN:	KETTE:	CHAINE:	CADENA:			
Passo P.	Pitch	Teilung	Pas	Paso	<b>P.</b>	50	50
Larghezza Interna W.	Internal width	Innere Breite	Largeur interieure	Ancho interno	<b>W.</b>	11,5	15
Rullo Ø R.	Rullo Ø	Rollen Ø	Rullo Ø	Rullo Ø	<b>R.</b>	25	31

CORONA:	PLATE WHEEL:	KETTENRADSHEIBE:	DISQUE:	DISCO:			
Raggio dente r	Tooth radius r	Radius r	Rayon de denture r	Radio diente r	<b>r</b>	50	50
Larghezza raggio C	Radius width C	Breite C	Largeur de rayon C	Ancho radio C	<b>C</b>	3	3
Larghezza dente h1	Tooth width h1	Zahnbreite h1	Largeur De denture h1	Ancho diente h1	<b>h1</b>	10,5	13,5

Z	P. 50 - R.25				
	Cod.	De	Dp	D	Peso Weight Gewicht Poids Peso
6	CE17006	121,0	100,00	20	0,55
7	CE17007	136,0	115,24	20	0,76
8	CE17008	151,5	130,65	20	0,92
9	CE17009	167,0	146,20	20	1,15
10	CE17010	183,0	161,80	25	1,52
11	CE17011	198,5	177,50	25	1,86
12	CE17012	214,0	193,20	25	2,20
13	CE17013	230,0	208,95	25	2,56
14	CE17014	245,5	224,70	25	2,99
15	CE17015	261,5	240,45	25	3,40
16	CE17016	277,5	256,30	30	3,94
17	CE17017	293,0	272,11	30	4,73
18	CE17018	309,0	287,95	30	4,94
19	CE17019	325,0	303,80	30	6,00
20	CE17020	340,5	319,60	30	6,10
21	CE17021	356,5	335,45	30	7,39
22	CE17022	372,5	351,35	30	7,88
23	CE17023	388,0	367,20	30	8,15
24	CE17024	404,0	383,05	30	8,68
25	CE17025	420,0	398,95	30	9,66
26					
28	CE17028	467,5	446,55	30	13,15
30	CE17029	499,5	478,35	30	14,82
32					
35	CE17035	579,0	557,80	30	19,10
38	CE17038	626,5	605,45	30	21,50

Z	P. 50 - R.31				
	Cod.	De	Dp	D	Peso Weight Gewicht Poids Peso
6	CE19006	120,0	100,00	20	0,61
7	CE19007	135,0	115,24	20	0,86
8	CE19008	150,5	130,65	20	1,16
9	CE19009	166,0	146,20	20	1,48
10	CE19010	182,0	161,80	25	1,83
11	CE19011	197,5	177,50	25	2,27
12	CE19012	213,0	193,20	25	2,72
13	CE19013	229,0	208,95	25	3,21
14	CE19014	244,5	224,70	25	3,71
15	CE19015	260,5	240,45	25	4,33
16	CE19016	276,5	256,30	30	4,94
17	CE19019	292,0	272,11	30	5,58
18	CE19018	308,0	287,95	30	6,30
19	CE19019	324,0	303,80	30	7,04
20	CE19020	339,5	319,60	30	7,82
21	CE19021	355,5	335,45	30	8,65
22	CE19022	371,5	351,35	30	9,44
23	CE19023	387,0	367,20	30	10,28
24	CE19024	403,0	383,05	30	11,25
25	CE19025	419,0	398,95	30	12,30
26		435,0	414,80	30	13,34
28	CE19028	466,5	446,55	30	15,52
30	CE19029	498,5	478,35	30	17,95
32	CE19032	530,0	510,10	30	20,46
35					
38	CE19038	625,5	605,45	30	26,60

**Corone per trasportatori ed elevatori**  
**Plate wheels for chain conveyors and chain elevators**  
**Kettenradscheiben für Transport-und Förderketten**  
**Disques pour transporteurs et elevateurs**  
**Discos para cadena de transportadores y elevadores**



Passo / Pitch  
Teilung / Pas / Paso

**P.50,8**

Rullo / Roller  
Rollen / Rouleau / Rodillo

**R.30**

CATENA:	CHAIN:	KETTE:	CHAINE:	CADENA:		
Passo P.	Pitch	Teilung	Pas	Paso	<b>P.</b>	50,8
Larghezza Interna W.	Internal width	Innere Breite	Largeur interieure	Ancho interno	<b>W.</b>	10,5
Rullo Ø R.	Rullo Ø	Rollen Ø	Rullo Ø	Rullo Ø	<b>R.</b>	30

CORONA:	PLATE WHEEL:	KETTENRADSHEIBE:	DISQUE:	DISCO:		
Raggio dente r	Tooth radius r	Radius r	Rayon de denture r	Radio diente r	<b>r</b>	50
Larghezza raggio C	Radius width C	Breite C	Largeur de rayon C	Ancho radio C	<b>C</b>	3
Larghezza dente h1	Tooth width h1	Zahnbreite h1	Largeur De denture h1	Ancho diente h1	<b>h1</b>	8,8

Z	P. 50,8 - R.30				
	Cod.	De	Dp	D	Peso Weight Gewicht Poids Peso
8	CE5083008	149,0	132,74	20	0,67
10	CE5083010	182,0	164,39	20	1,22
12	CE5083012	214,0	196,27	25	1,81
14	CE5083014	247,0	228,29	25	2,49
16	CE5083016	279,0	260,39	30	3,24

Z	P. 50,8 - R.30				
	Cod.	De	Dp	D	Peso Weight Gewicht Poids Peso
8					
10					
12					
14					
16					

Passo / Pitch  
Teilung / Pas / Paso

**P.75**

Rullo / Roller  
Rollen / Rouleau / Rodillo

**R.25 R.31**

CATENA:	CHAIN:	KETTE:	CHAINE:	CADENA:		
Passo P.	Pitch	Teilung	Pas	Paso	<b>P.</b>	75 75
Larghezza Interna W.	Internal width	Innere Breite	Largeur interieure	Ancho interno	<b>W.</b>	11,5 15
Rullo Ø R.	Rullo Ø	Rollen Ø	Rullo Ø	Rullo Ø	<b>R.</b>	25 31

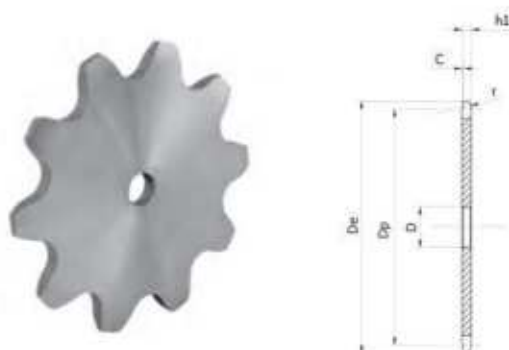
CORONA:	PLATE WHEEL:	KETTENRADSHEIBE:	DISQUE:	DISCO:		
Raggio dente r	Tooth radius r	Radius r	Rayon de denture r	Radio diente r	<b>r</b>	50 50
Larghezza raggio C	Radius width C	Breite C	Largeur de rayon C	Ancho radio C	<b>C</b>	3 3
Larghezza dente h1	Tooth width h1	Zahnbreite h1	Largeur De denture h1	Ancho diente h1	<b>h1</b>	10,5 13,5

Z	P. 75 - R.25				
	Cod.	De	Dp	D	Peso Weight Gewicht Poids Peso
6					
8	CE20008	211,0	195,98	25	2,47
9					
10	CE20010	258,0	242,70	25	3,77
11					
12					
13					
14					
15					
16					
20					
21					

Z	P. 75 - R.31				
	Cod.	De	Dp	D	Peso Weight Gewicht Poids Peso
6	CE22006	168,0	150,00	25	1,68
8	CE22008	215,0	195,98	25	2,94
9	CE22009	238,0	219,30	25	3,78
10	CE22010	261,0	242,70	30	4,50
11	CE22011	286,0	266,25	30	5,57
12	CE22012	309,0	289,80	30	6,70
13	CE22013	333,0	313,42	30	7,80
14	CE22014	357,0	337,05	30	9,12
15	CE22015	380,0	360,73	30	10,42
16	CE22016	404,0	384,45	30	11,98
20	CE22020	499,0	479,40	30	18,35
21	CE22021	523,0	503,17	30	20,62



**Corone per trasportatori ed elevatori**  
**Plate wheels for chain conveyors and chain elevators**  
**Kettenradscheiben für Transport-und Förderketten**  
**Disques pour transporteurs et elevateurs**  
**Discos para cadena de transportadores y elevadores**



Passo / Pitch  
 Teilung / Pas / Paso

Rullo / Roller  
 Rollen / Rouleau / Rodillo

**P.100**

**R.31 R.40**

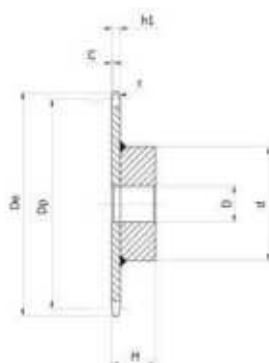
CATENA:	CHAIN:	KETTE:	CHAINE:	CADENA:			
Passo P.	Pitch	Teilung	Pas	Paso	<b>P.</b>	100	100
Larghezza Interna W.	Internal width	Innere Breite	Largeur interieure	Ancho interno	<b>W.</b>	15	22
Rullo Ø R.	Rullo Ø	Rollen Ø	Rullo Ø	Rullo Ø	<b>R.</b>	31	40

CORONA:	PLATE WHEEL:	KETTENRADSHEIBE:	DISQUE:	DISCO:			
Raggio dente r	Tooth radius r	Radius r	Rayon de denture r	Radio diente r	<b>r</b>	50	50
Larghezza raggio C	Radius width C	Breite C	Largeur de rayon C	Ancho radio C	<b>C</b>	3	3
Larghezza dente h1	Tooth width h1	Zahnbreite h1	Largeur De denture h1	Ancho diente h1	<b>h1</b>	13,5	20

Z	P.100 - R.31				
	Cod.	De	Dp	D	Peso Weight Gewicht Poids Peso
6	CE25006	218,0	200,00	25	3,32
7	CE25007	249,0	230,48	25	4,32
8	CE25008	280,0	261,31	30	5,50
9	CE25009	311,0	292,40	30	6,95
10	CE25010	342,0	323,61	30	8,57
11	CE25011	375,0	354,95	30	10,29
12	CE25012	406,0	386,40	30	12,45
13	CE25013	437,0	417,90	30	14,45
14	CE25014	469,0	449,40	30	16,84
15	CE25015	500,0	480,97	30	19,36
16	CE25016	532,0	512,60	30	21,76

Z	P.100 - R.40				
	Cod.	De	Dp	D	Peso Weight Gewicht Poids Peso
6	CE27006	220,0	200,00	25	4,54
7	CE27007	251,0	230,48	25	6,10
8	CE27008	283,0	261,31	30	7,87
9	CE27009	314,0	292,40	30	9,94
10	CE27010	345,0	323,61	30	12,25
11	CE27011	378,0	354,95	30	14,72
12	CE27012	409,0	386,40	30	17,48
13	CE27013	441,0	417,90	30	20,90

**Pignoni per trasportatori ed elevatori**  
**Sprockets for chain conveyors and chain elevators**  
**Kettenräder für Transport-und Förderketten**  
**Pignons pour transporteurs et elevateurs**  
**Pioñones para cadena de transportadores y elevadores**



Passo / Pitch  
 Teilung / Pas / Paso

Rullo / Roller  
 Rollen / Rouleau / Rodillo

**P.50**

**R.25 R.31**

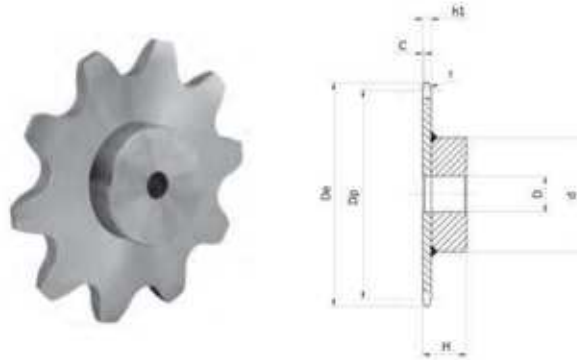
CATENA:	CHAIN:	KETTE:	CHAINE:	CADENA:	P.	50	50
Passo P.	Pitch	Teilung	Pas	Paso			
Larghezza Interna W.	Internal width	Innere Breite	Largeur interieure	Ancho interno	<b>W.</b>	11,5	15
Rullo Ø R.	Rullo Ø	Rollen Ø	Rullo Ø	Rullo Ø	<b>R.</b>	25	31

PIGNONE:	SPROCKET:	KETTENRAD:	PIGNON:	PIÑON:	r	50	50
Raggio dente r	Tooth radius r	Radius r	Rayon de denture r	Radio diente r			
Larghezza raggio C	Radius width C	Breite C	Largeur de rayon C	Ancho radio C	<b>C</b>	3	3
Larghezza dente h1	Tooth width h1	Zahnbreite h1	Largeur De denture h1	Ancho diente h1	<b>h1</b>	10,5	13,5

Z	P. 50 - R.25						Peso Weight Gewicht Poids Peso
	Cod.	De	Dp	d	D	H	
6	PE502506	121,0	100,00	58	20	40,5	1,11
7	PE502507	136,0	115,24	58	20	40,5	1,37
8	PE502508	151,5	130,65	58	20	40,5	1,55
9	PE502509	167,0	146,20	58	20	40,5	1,89
10	PE502510	183,0	161,80	88	25	45,5	3,10
11	PE502511	198,5	177,50	88	25	45,5	3,44
12	PE502512	214,0	193,20	88	25	45,5	3,79
13	PE502513	230,0	208,95	88	25	45,5	4,17
14	PE502514	245,5	224,70	88	25	45,5	4,63
15	PE502515	261,5	240,45	88	25	45,5	5,09
16	PE502516	277,5	256,30	118	30	60,5	8,26
17	PE502517	293,0	272,11	118	30	60,5	9,10
18	PE502518	309,0	287,95	118	30	60,5	9,26
19	PE502519	325,0	303,80	118	30	60,5	10,32
20	PE502520	340,5	319,60	118	30	60,5	10,42
21	PE502521	356,5	335,45	118	30	60,5	11,71
22	PE502522	372,5	351,35	118	30	60,5	12,20
23	PE502523	388,0	367,20	118	30	60,5	12,47
24	PE502524	404,0	383,05	118	30	60,5	13,00
25	PE502525	420,0	398,95	118	30	60,5	13,98
26							
28	PE502528	467,5	446,55	133	30	62,0	18,62
30	PE502530	499,5	478,35	133	30	62,0	20,29
32							
35	PE502535	579,0	557,80	133	30	62,0	24,57
38	PE502538	626,5	605,45	133	30	62,0	26,97

Z	P. 50 - R.31						Peso Weight Gewicht Poids Peso
	Cod.	De	Dp	d	D	H	
6	PE503106	120,0	100,00	58	20	43,5	1,18
7	PE503107	135,0	115,24	58	20	43,5	1,44
8	PE503108	150,5	130,65	58	20	43,5	1,72
9	PE503109	166,0	146,20	58	20	43,5	2,05
10	PE503110	182,0	161,80	88	25	48,5	3,40
11	PE503111	197,5	177,50	88	25	48,5	3,80
12	PE503112	213,0	193,20	88	25	48,5	4,30
13	PE503113	229,0	208,95	88	25	48,5	4,78
14	PE503114	244,5	224,70	88	25	48,5	5,37
15	PE503115	260,5	240,45	88	25	48,5	5,98
16	PE503116	276,5	256,30	118	30	63,5	9,05
17	PE503117	292,0	272,11	118	30	63,5	9,60
18	PE503118	308,0	287,95	118	30	63,5	10,30
19	PE503119	324,0	303,80	118	30	63,5	11,10
20	PE503120	339,5	319,60	118	30	63,5	11,90
21	PE503121	355,5	335,45	118	30	63,5	12,75
22	PE503122	371,5	351,35	118	30	63,5	13,54
23	PE503123	387,0	367,20	118	30	63,5	14,38
24	PE503124	403,0	383,05	118	30	63,5	15,35
25	PE503125	419,0	398,95	118	30	63,5	16,40
26	PE503126	435,0	414,80	133	30	65,0	18,81
28	PE503128	466,5	446,55	133	30	65,0	21,00
30	PE503130	498,5	478,35	133	30	65,0	23,42
32	PE503132	530,0	510,10	133	30	65,0	25,93
35							
38	PE503138	625,5	605,45	133	30	65,0	32,10

**Pignoni per trasportatori ed elevatori**  
**Sprockets for chain conveyors and chain elevators**  
**Kettenräder für Transport-und Förderketten**  
**Pignons pour transporteurs et elevateurs**  
**Pioñones para cadena de transportadores y elevadores**



Passo / Pitch  
Teilung / Pas / Paso

**P.50,8**

Rullo / Roller  
Rollen / Rouleau / Rodillo

**R.30**

CATENA:	CHAIN:	KETTE:	CHAINE:	CADENA:		
Passo P.	Pitch	Teilung	Pas	Paso	<b>P.</b>	50,8
Larghezza Interna W.	Internal width	Innere Breite	Largeur interieure	Ancho interno	<b>W.</b>	10,5
Rullo Ø R.	Rullo Ø	Rollen Ø	Rullo Ø	Rullo Ø	<b>R.</b>	30

PIGNONE:	SPROCKET:	KETTENRAD:	PIGNON:	PIÑON:		
Raggio dente r	Tooth radius r	Radius r	Rayon de denture r	Radio diente r	<b>r</b>	50
Larghezza raggio C	Radius width C	Breite C	Largeur de rayon C	Ancho radio C	<b>C</b>	3
Larghezza dente h1	Tooth width h1	Zahnbreite h1	Largeur De denture h1	Ancho diente h1	<b>h1</b>	8,8

**P. 50,8 - R.30**

Z	Cod.	De	Dp	d	D	H	Peso Weight Gewicht Poids Peso
8	PE5083008	149,0	132,74	58	20	39,0	1,35
10	PE5083010	182,0	164,39	88	20	44,0	2,85
12	PE5083012	214,0	196,27	88	25	44,0	3,37
14	PE5083014	247,0	228,29	88	25	44,0	4,08
16	PE5083016	279,0	260,39	118	30	59,0	7,34

Passo / Pitch  
Teilung / Pas / Paso

**P.75**

Rullo / Roller  
Rollen / Rouleau / Rodillo

**R.25 R.31**

CATENA:	CHAIN:	KETTE:	CHAINE:	CADENA:		
Passo P.	Pitch	Teilung	Pas	Paso	<b>P.</b>	75
Larghezza Interna W.	Internal width	Innere Breite	Largeur interieure	Ancho interno	<b>W.</b>	11,5
Rullo Ø R.	Rullo Ø	rollen Ø	Rullo Ø	Rullo Ø	<b>R.</b>	25

PIGNONE:	SPROCKET:	KETTENRAD:	PIGNON:	PIÑON:		
Raggio dente r	Tooth radius r	Radius r	Rayon de denture r	Radio diente r	<b>r</b>	50
Larghezza raggio C	Radius width C	Breite C	Largeur de rayon C	Ancho radio C	<b>C</b>	3
Larghezza dente h1	Tooth width h1	Zahnbreite h1	Largeur De denture h1	Ancho diente h1	<b>h1</b>	10,5

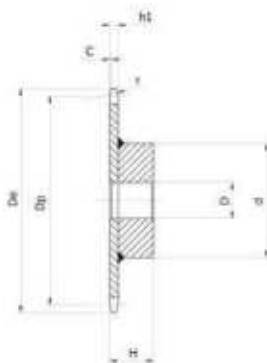
**P. 75 - R.25**

Z	Cod.	De	Dp	d	D	H	Peso Weight Gewicht Poids Peso
6							
8	PE752508	211,0	195,98	88	25	45,5	4,07
9							
10	PE752510	258,0	242,70	118	25	60,5	7,87
11							
12							
13							
14							
15							
16							
20							
21							

**P. 75 - R.31**

Z	Cod.	De	Dp	d	D	H	Peso Weight Gewicht Poids Peso
6	PE753106	168,0	150,00	88	25	48,5	3,26
8	PE753108	215,0	195,98	88	25	48,5	4,52
9	PE753109	238,0	219,30	88	25	48,5	5,36
10	PE753110	261,0	242,70	118	30	63,5	8,70
11	PE753111	286,0	266,25	118	30	63,5	9,60
12	PE753112	309,0	289,80	118	30	63,5	10,73
13	PE753113	333,0	313,42	118	30	63,5	11,83
14	PE753114	357,0	337,05	118	30	63,5	13,15
15	PE753115	380,0	360,73	118	30	63,5	14,45
16	PE753116	404,0	384,45	133	30	65,0	17,43
20	PE753120	499,0	479,40	133	30	65,0	23,80
21	PE753121	523,0	503,17	133	30	65,0	26,07

**Pignoni per trasportatori ed elevatori**  
**Sprockets for chain conveyors and chain elevators**  
**Kettenräder für Transport-und Förderketten**  
**Pignons pour transporteurs et elevateurs**  
**Pioñones para cadena de transportadores y elevadores**



Passo / Pitch  
 Teilung / Pas / Paso

Rullo / Roller  
 Rollen / Rouleau / Rodillo

**P.100**

**R.31 R.40**

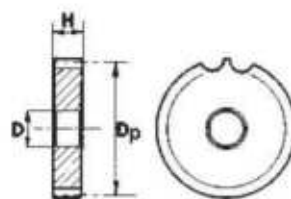
CATENA:	CHAIN:	KETTE:	CHAINE:	CADENA:	P.	100	100
Passo P.	Pitch	Teilung	Pas	Paso	<b>P.</b>	100	100
Larghezza Interna W.	Internal width	Innere Breite	Largeur interieure	Ancho interno	<b>W.</b>	15	22
Rullo Ø R.	Rullo Ø	Rollen Ø	Rullo Ø	Rullo Ø	<b>R.</b>	31	40

PIGNONE:	SPROCKET:	KETTENRAD:	PIGNON:	PIÑON:	r	50	50
Raggio dente r	Tooth radius r	Radius r	Rayon de denture r	Radio diente r	<b>r</b>	50	50
Larghezza raggio C	Radius width C	Breite C	Largeur de rayon C	Ancho radio C	<b>C</b>	3	3
Larghezza dente h1	Tooth width h1	Zahnbreite h1	Largeur De denture h1	Ancho diente h1	<b>h1</b>	13,5	20

Z	P.100 - R.31						
	Cod.	De	Dp	d	D	H	Peso Weight Gewicht Poids Peso
6	PE1003106	218,0	200,00	88	25	48,5	4,80
7	PE1003107	249,0	230,48	88	25	48,5	5,80
8	PE1003108	280,0	261,31	118	30	63,5	9,67
9	PE1003109	311,0	292,40	118	30	63,5	10,95
10	PE1003110	342,0	323,61	118	30	63,5	12,63
11	PE1003111	375,0	354,95	118	30	63,5	14,34
12	PE1003112	406,0	386,40	118	30	63,5	16,51
13	PE1003113	437,0	417,90	118	30	63,5	18,51
14	PE1003114	469,0	449,40	118	30	63,5	20,93
15	PE1003115	500,0	480,97	118	30	63,5	23,42
16	PE1003116	532,0	512,60	133	30	65,0	27,16

Z	P.100 - R.40						
	Cod.	De	Dp	d	D	H	Peso Weight Gewicht Poids Peso
6	PE1004006	220,0	200,00	118	25	70,0	8,64
7	PE1004007	251,0	230,48	118	25	70,0	10,20
8	PE1004008	283,0	261,31	118	30	70,0	11,97
9	PE1004009	314,0	292,40	118	30	70,0	14,04
10	PE1004010	345,0	323,61	118	30	70,0	16,35
11	PE1004011	378,0	354,95	118	30	70,0	18,82
12	PE1004012	409,0	386,40	118	30	70,0	21,58
13	PE1004013	441,0	417,90	118	30	70,0	25,00

**Ruote per catena a cerniera / Wheels for table top chain**  
**Kettenräder für Scharnierbandketten / Roues pour chaînes à charnières**  
**Rueda para cadena de charnela (table top)**



**P. 1"1/2 DIN 8153**

Materiale C45E UNI EN 10083-1		Material C45E UNI EN 10083-1		Werkstoff C45E UNI EN 10083-1		Matière C45E UNI EN 10083-1		Material C45E UNI EN 10083-1	
Z	cod.	D <sub>p</sub>	D	H	Z	cod.	D <sub>p</sub>	D	H
13	RC 14013	78,98	15	43,5	23	RC 14023	141,22	20	43,5
15	RC 14015	93,67	15	43,5	25	RC 14025	153,21	20	43,5
17	RC 14017	105,47	20	43,5	27	RC 14027	165,20	20	43,5
19	RC 14019	117,34	20	43,5	29	RC 14029	177,24	20	43,5
21	RC 14021	129,26	20	43,5	31	RC 14031	189,29	20	43,5

**Pignoni tendicatena completi di cuscinetto / Ball bearing idler sprockets**  
**Kettenspannräder mit Kugellager / Pignons tendeurs complets avec roulement**  
**Piñones tensores completos con cojinete**

I nostri pignoni tendicatena sono completi di cuscinetto, pronti al montaggio in particolari punti di tensione oppure di rinvio. L'accurata lavorazione ed il montaggio stabile su di un cuscinetto a sfere, a doppio schermo di protezione, permettono una maggiore resistenza ai carichi e all'usura. L'anello centrale del cuscinetto "allungato", permette un facile montaggio su macchinari speciali di ogni tipo.

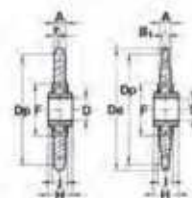
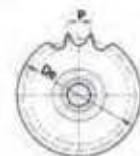
Our idler sprockets are supplied complete with bearings, ready to be fitted at the relevant tension or driving gear points. The accurate machining and stable assembly on a ball bearing, with double protection, provides greater resistance to loads and wear. The central "extended" ring on bearing, allows easy assembly on all types of special machinery.

Unsere Kettenspannräder werden komplett mit Lager geliefert und sind für den Einbau an besonderen Spannung- oder Vorgelegepunkten geeignet. Die sorgfältige Verarbeitung und die stabile Montage auf einem Kugellager mit doppelter Schutzblende sorgen für eine höhere Last und Verschleißbeständigkeit geeignet. Der Mittelring des "verlängerten" Lagers erlaubt den einfachen Einbau an Spezialmaschinen aller Art.

Nos pignons tendeurs sont équipés de roulements et conviennent au montage en cas de points de tension particuliers ou de renvoi. L'usinage soigné et le montage stable sur roulements à billes, à double écran de protection confèrent à nos produits une résistance accrue aux charges et à l'usure.

Nuestros piñones tensacadena están provistos de cojinete y se pueden montar en puntos de tensión o reenvío especiales. Gracias a las características de fabricación y al montaje estable en cojinetes de bolas con doble escudo de protección, ofrecen mayor resistencia de carga y más durabilidad. El anillo central del cojinete "alargado" facilita el montaje en todo tipo de maquinarias especiales.

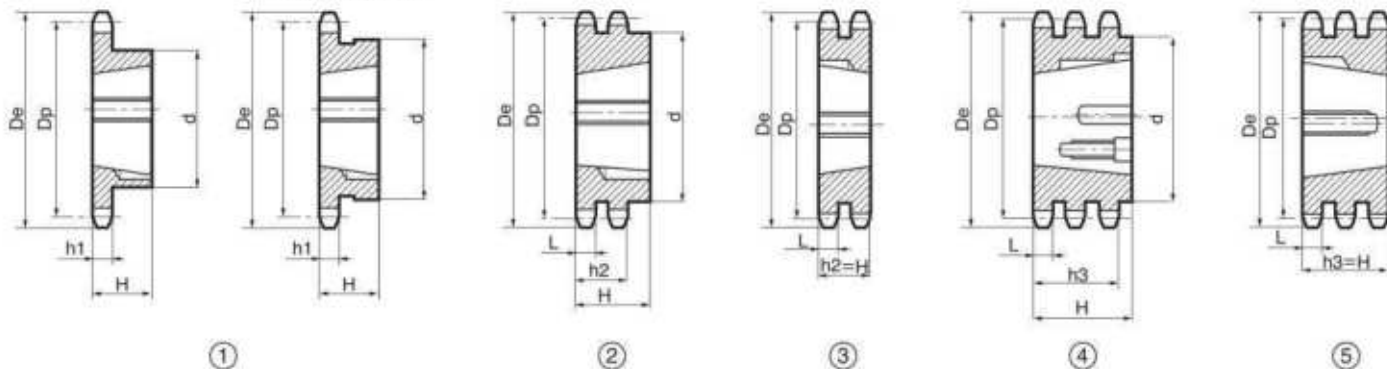
Materiale C45E UNI EN 10083-1		Material C45E UNI EN 10083-1		Werkstoff C45E UNI EN 10083-1		Matière C45E UNI EN 10083-1		Material C45E UNI EN 10083-1				
Z	cod.	P.	D <sub>e</sub>	D <sub>p</sub>	B <sub>1</sub>	A	D	F	H	J	cuscinetto/bearing Kugellager/roulement/cojinete	
23	PC 04023	8x1/8"	62,0	58,75	2,8	7,0	16	+0,26 +0,13	40	18,3	12	203 KRR
20	PC 05020	3/8"x7/32"	64,3	60,89	5,3	7,0	16	+0,26 +0,13	40	18,3	12	203 KRR
21	PC 05021	3/8"x7/32"	68,0	63,91	5,3	7,0	16	+0,26 +0,13	40	18,3	12	203 KRR
18	PC 06018	1/2"x1/8"	78,9	73,14	3,0	7,0	16	+0,26 +0,13	40	18,3	12	203 KRR
16	PC 07016	1/2"x3/16"	70,9	65,10	4,5	7,0	16	+0,26 +0,13	40	18,3	12	203 KRR
18	PC 07018	1/2"x3/16"	78,9	73,14	4,5	7,0	16	+0,26 +0,13	40	18,3	12	203 KRR
14	PC 09014	1/2"x5/16"	61,8	57,07	7,2	7,2	16	+0,26 +0,13	40	18,3	12	203 KRR
15	PC 09015	1/2"x5/16"	65,5	61,09	7,2	7,2	16	+0,26 +0,13	40	18,3	12	203 KRR
16	PC 09016	1/2"x5/16"	69,5	65,10	7,2	7,2	16	+0,26 +0,13	40	18,3	12	203 KRR
18	PC 09018	1/2"x5/16"	77,8	73,14	7,2	7,2	16	+0,26 +0,13	40	18,3	12	203 KRR
20	PC 09020	1/2"x5/16"	85,8	81,19	7,2	7,2	16	+0,26 +0,13	40	18,3	12	203 KRR
21	PC 09021	1/2"x5/16"	89,7	85,22	7,2	7,2	16	+0,26 +0,13	40	18,3	12	203 KRR
13	PC 10013	5/8"x3/8"	73,0	66,32	9,1	9,1	16	+0,26 +0,13	40	18,3	12	203 KRR
14	PC 10014	5/8"x3/8"	78,0	71,34	9,1	9,1	16	+0,26 +0,13	40	18,3	12	203 KRR
15	PC 10015	5/8"x3/8"	83,0	76,36	9,1	9,1	16	+0,26 +0,13	40	18,3	12	203 KRR
16	PC 10016	5/8"x3/8"	88,0	81,37	9,1	9,1	16	+0,26 +0,13	40	18,3	12	203 KRR
17	PC 10017	5/8"x3/8"	93,0	86,30	9,1	9,1	16	+0,26 +0,13	40	18,3	12	203 KRR
18	PC 10018	5/8"x3/8"	98,3	91,42	9,1	9,1	16	+0,26 +0,13	40	18,3	12	203 KRR
21	PC 10021	5/8"x3/8"	113,4	106,52	9,1	9,1	16	+0,26 +0,13	40	18,3	12	203 KRR
12	PC 11012	3/4"x7/16"	81,5	73,60	11,1	11,1	16	+0,26 +0,13	40	18,3	12	203 KRR
13	PC 11013	3/4"x7/16"	87,5	79,59	11,1	11,1	16	+0,26 +0,13	40	18,3	12	203 KRR
15	PC 11015	3/4"x7/16"	99,8	91,63	11,1	11,1	16	+0,26 +0,13	40	18,3	12	203 KRR
16	PC 11016	3/4"x7/16"	105,5	97,65	11,1	11,1	16	+0,26 +0,13	40	18,3	12	203 KRR
12	PC 12012	1"x17,02"	109,0	98,14	16,2	16,2	20	+0,1 +0	47	17,7	14	204 KRR
15	PC 12015	1"x17,02"	133,0	122,17	16,2	16,2	20	+0,1 +0	47	17,7	14	204 KRR
17	PC 12017	1"x17,02"	149,0	138,24	16,2	16,2	20	+0,1 +0	47	17,7	14	204 KRR
13	PC 13013	1"x1/4x3/4"	147,8	132,65	18,5	18,5	25	+0,1 +0	52	21,0	15	205 KRR



**Pignoni per bussole coniche / Taper bored sprockets**  
**Kettenräder für Taper-Spannbuchsen / Pignons à moyeu amovible**  
**Piñones para casquillos cónicos**



Versione (\*) / Type (\*)  
Typ (\*) / Tipo (\*)



**3/8" x 7/32" - 9,525 x 5,72 mm**

**06B - 1-2-3 - DIN 8187 - ISO/R 606**

CATENA:	CHAIN:	KETTE:	CHAÎNE:	CADENA:	ISO mm
Passo	Pitch	Teilung	Pas	Paso	<b>9,525</b>
Larghezza interna	Internal width	Innere Breite	Largeur interieure	Ancho interno	<b>5,720</b>
Rullo ø	Roller ø	Rollen ø	ø du rouleau	Rodillo ø	<b>6,350</b>

PIGNONE	SPROCKETS	KETTENRÄDER	PIGNONS	PIÑONES	ISO mm
Raggio dente r	Tooth radius r	Radius r	Rayon de denture r	Radio diente r	<b>r 10,0</b>
Larghezza raggio C	Radius width C	Breite C	Largeur de rayon C	Ancho radio C	<b>C 1,0</b>
Largh. dente h <sub>1</sub>	Tooth width h <sub>1</sub>	Zahnbreite h <sub>1</sub>	Larg. de denture h <sub>1</sub>	Ancho diente h <sub>1</sub>	<b>h<sub>1</sub> 5,3</b>
Largh. dente L	Tooth width L	Zahnbreite L	Larg. de denture L	Ancho diente L	<b>L 5,2</b>
Largh. dente h <sub>2</sub>	Tooth width h <sub>2</sub>	Zahnbreite h <sub>2</sub>	Larg. de denture h <sub>2</sub>	Ancho diente h <sub>2</sub>	<b>h<sub>2</sub> 15,4</b>
Largh. dente h <sub>3</sub>	Tooth width h <sub>3</sub>	Zahnbreite h <sub>3</sub>	Larg. de denture h <sub>3</sub>	Ancho diente h <sub>3</sub>	<b>h<sub>3</sub> 25,6</b>

**Acciaio                      Steel                      Stahl                      Acier                      Acero = C45E - UNI EN 10083-1**

Z	D <sub>e</sub>	D <sub>p</sub>	Simplex				Duplex				Triplex						
			cod.	d	H	per Bussola for Bush für Buchse pour Moyeux amovibles para Casquillos cónicos	Esecuz. tipo Type Typ Tipo	cod.	d	H	per Bussola for Bush für Buchse pour Moyeux amovibles para Casquillos cónicos	Esecuz. tipo Type Typ Tipo	cod.	d	H	per Bussola for Bush für Buchse pour Moyeux amovibles para Casquillos cónicos	Esecuz. tipo Type Typ Tipo
17	55,3	51,83	TS 05017	45*	22	1008	1	TD 05017	42	22	1008	2	TT 05017	-	25,6	1008	5
18	58,3	54,85	TS 05018	45*	22	1008	1	TD 05018	43	22	1008	2					
19	61,3	57,87	TS 05019	45	22	1008	1	TD 05019	46	22	1008	2	TT 05019	-	25,6	1008	5
20	64,3	60,89	TS 05020	46	22	1008	1	TD 05020	48	22	1008	2					
21	68,0	63,91	TS 05021	46	22	1008	1	TD 05021	49	22	1008	2	TT 05021	-	25,6	1008	5
22	71,0	66,93	TS 05022	50	22	1108	1	TD 05022	52	22	1108	2					
23	73,5	69,95	TS 05023	63*	25	1210	1	TD 05023	59	25	1210	2	TT 05023	-	25,6	1210	5
24	77,0	72,97	TS 05024	63	25	1210	1	TD 05024	61	25	1210	2					
25	80,0	76,02	TS 05025	63	25	1210	1	TD 05025	64	25	1210	2	TT 05025	-	25,6	1210	5
26	83,0	79,02	TS 05026	63	25	1210	1	TD 05026	65	25	1210	2					
27	86,0	82,02	TS 05027	63	25	1210	1	TD 05027	70	25	1210	2	TT 05027	-	25,6	1210	5
28	89,0	85,07	TS 05028	63	25	1210	1	TD 05028	70	25	1210	2					
30	94,7	91,12	TS 05030	63	25	1210	1	TD 05030	75	25	1210	2	TT 05030	79	38,0	1615	4
38	119,5	115,35	TS 05038	70	25	1210	1	TD 05038	80	25	1610	2	TT 05038	90	38,0	1615	4
45	140,7	136,55	TS 05045	70	25	1210	1	TD 05045	80	25	1610	2					
57	176,9	172,91	TS 05057	70	25	1210	1	TD 05057	80	25	1610	2					
76	234,9	230,49	TS 05076	70	25	1210	1	TD 05076	80	25	1610	2					
95	292,5	288,08	TS 05095	80	25	1210	1	TD 05095	90	25	1610	2					
114	349,5	345,68	TS 05114	80	38	1215	1	TD 05114	95	38	1615	2					

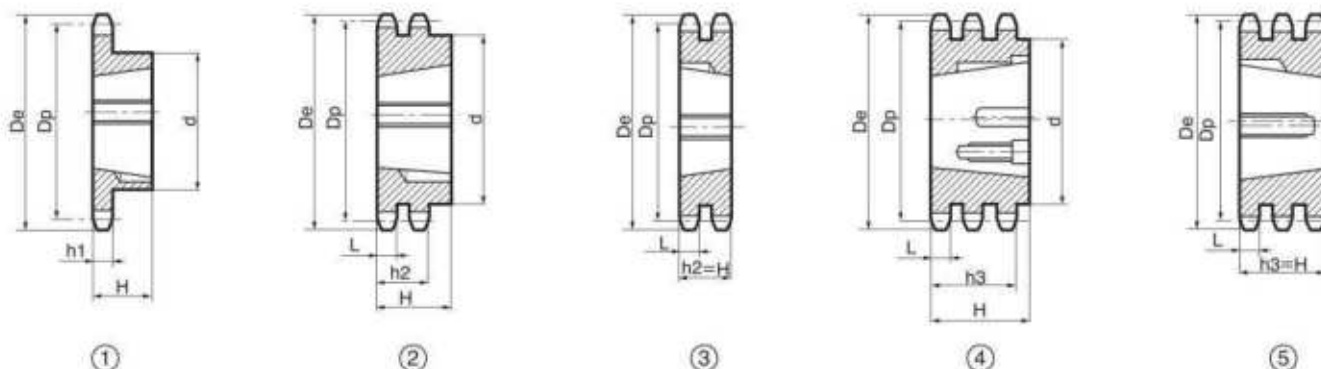








**Pignoni per bussole coniche / Taper bored sprockets**  
**Kettenräder für Taper-Spannbuchsen / Pignons à moyeu amovible**  
**Piñones para casquillos cónicos**



**1" x 17,02 mm - 25,4 x 17,2 mm**

**16B - 1-2-3 - DIN 8187 - ISO/R 606**

<b>CATENA:</b>	<b>CHAIN:</b>	<b>KETTE:</b>	<b>CHAÎNE:</b>	<b>CADENA:</b>	<b>ISO mm</b>
Passo	Pitch	Teilung	Pas	Paso	<b>25,40</b>
Larghezza interna	Internal width	Innere Breite	Largeur interieure	Ancho interno	<b>17,02</b>
Rullo ø	Roller ø	Rollen ø	ø du rouleau	Rodillo ø	<b>15,88</b>

<b>PIGNONE</b>	<b>SPROCKETS</b>	<b>KETTENRÄDER</b>	<b>PIGNONS</b>	<b>PIÑONES</b>	<b>ISO mm</b>
Raggio dente r	Tooth radius r	Radius r	Rayon de denture r	Radio diente r	<b>r 26,0</b>
Larghezza raggio C	Radius width C	Breite C	Largeur de rayon C	Ancho radio C	<b>C 2,5</b>
Largh. dente h <sub>1</sub>	Tooth width h <sub>1</sub>	Zahnbreite h <sub>1</sub>	Larg. de denture h <sub>1</sub>	Ancho diente h <sub>1</sub>	<b>h<sub>1</sub> 16,2</b>
Largh. dente L	Tooth width L	Zahnbreite L	Larg. de denture L	Ancho diente L	<b>L 15,8</b>
Largh. dente h <sub>2</sub>	Tooth width h <sub>2</sub>	Zahnbreite h <sub>2</sub>	Larg. de denture h <sub>2</sub>	Ancho diente h <sub>2</sub>	<b>h<sub>2</sub> 47,7</b>
Largh. dente h <sub>3</sub>	Tooth width h <sub>3</sub>	Zahnbreite h <sub>3</sub>	Larg. de denture h <sub>3</sub>	Ancho diente h <sub>3</sub>	<b>h<sub>3</sub> 79,6</b>

**Acciaio                      Steel                      Stahl                      Acier                      Acero = C45E - UNI EN 10083-1**

Z	D <sub>e</sub>	D <sub>p</sub>	Simplex				Duplex				Triplex							
			cod.	d	H	per Bussola for Bush für Buchse pour Moyeux amovibles para Casquillos cónicos	Esecuz. tipo Type Typ Tipo	cod.	d	H	per Bussola for Bush für Buchse pour Moyeux amovibles para Casquillos cónicos	Esecuz. tipo Type Typ Tipo	cod.	d	H	per Bussola for Bush für Buchse pour Moyeux amovibles para Casquillos cónicos	Esecuz. tipo Type Typ Tipo	
13	117,0	106,12	TS 12013	73	25	1610	1	TD 12013	-	47,7	2012	3						
14	125,0	114,15	TS 12014	76	25	1610	1											
15	133,0	122,17	TS 12015	76	25	1610	1	TD 12015	-	47,7	2012	3						
16	141,0	130,20	TS 12016	90	32	2012	1											
17	149,0	138,22	TS 12017	90	32	2012	1	TD 12017	-	47,7	2517	3	TT 12017	-	79,6	2517	5	
18	157,0	146,28	TS 12018	108	45	2517	1											
19	165,2	154,33	TS 12019	108	45	2517	1	TD 12019	-	47,7	2517	3	TT 12019	-	79,6	3020	5	
20	173,2	162,38	TS 12020	108	45	2517	1											
21	181,2	170,43	TS 12021	110	45	2517	1	TD 12021	140	51,0	3020	2	TT 12021	-	79,6	3030	5	
22	189,3	178,48	TS 12022	110	45	2517	1											
23	197,5	186,53	TS 12023	110	45	2517	1	TD 12023	140	51,0	3020	2	TT 12023	-	79,6	3525	5	
24	205,5	194,59	TS 12024	110	45	2517	1											
25	213,5	202,66	TS 12025	110	45	2517	1	TD 12025	140	51,0	3020	2	TT 12025	-	79,6	3525	5	
26	221,6	210,72	TS 12026	110	45	2517	1											
27	229,6	218,79	TS 12027	110	45	2517	1	TD 12027	140	51,0	3020	2	TT 12027	-	79,6	3525	5	
28	237,7	226,85	TS 12028	110	45	2517	1											
30	254,0	243,00	TS 12030	140	51	3020	1	TD 12030	140	51,0	3020	2	TT 12030	-	79,6	3525	5	
38	320,7	307,59	TS 12038	140	51	3020	1	TD 12038	140	51,0	3020	2	TT 12038	-	79,6	3525	5	
45	377,1	364,13	TS 12045	140	51	3020	1	TD 12045	140	51,0	3020	2	TT 12045	216	79,6	4030	4	
57	474,0	461,07	TS 12057	140	51	3020	1	TD 12057	175	65,0	3525	2	TT 12057	216	79,6	4030	4	
76	627,0	614,65	TS 12076	140	51	3020	1	TD 12076	175	65,0	3525	2	TT 12076	216	79,6	4030	4	
95	781,1	768,22	TS 12095	140	51	3020	1	TD 12095	215	65,0	3525	2	TT 12095	240	79,6	4030	4	
114	934,3	921,81	TS 12114	140	76	3030	1	TD 12114	215	102,0	4040	2						



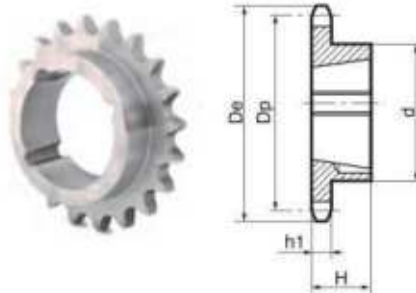
**Pignoni per bussole coniche temprati ad induzione sui denti (45 ÷ 55 HRC)**

**Taper bored sprockets with induction hardened teeth (45 ÷ 55 HRC)**

**Kettenräder für Spannbuchse mit gehärteten Zähnen (45 ÷ 55 HRC)**

**Pignons à moyeu amovible avec denture traitée (45 ÷ 55 HRC)**

**Piñones para casquillos cónicos con dientes tratados (45 ÷ 55 HRC)**



**Materiale C45E**  
UNI EN 10083-1

**Material C45E**  
UNI EN 10083-1

**Werkstoff C45E**  
UNI EN 10083-1

**Matière C45E**  
UNI EN 10083-1

**Material C45E**  
UNI EN 10083-1

### 3/8" x 7/32" - 06B R. 6,35

Z	D <sub>e</sub>	D <sub>p</sub>	Simplex				Esecuz. tipo Type Typ Tipo
			cod.	d	H	per Bussola für Buchse pour Moyeux amovibles para Casquillos cónicos	
17	55,3	51,83	TS 05T17	45	22	1008	1
18	58,3	54,85	TS 05T18	45	22	1008	1
19	61,3	57,87	TS 05T19	45	22	1008	1
20	64,3	60,89	TS 05T20	46	22	1008	1
21	68,0	63,91	TS 05T21	46	22	1008	1
22	71,0	66,93	TS 05T22	50	22	1008	1
23	73,5	69,95	TS 05T23	63	25	1210	1
24	77,0	72,97	TS 05T24	63	25	1210	1
25	80,0	76,02	TS 05T25	63	25	1210	1
26	83,0	79,02	TS 05T26	63	25	1210	1
27	86,0	82,02	TS 05T27	63	25	1210	1
28	89,0	85,07	TS 05T28	63	25	1210	1
30	94,7	91,12	TS 05T30	63	25	1210	1

### 1/2" x 5/16" - 08B R. 8,51

Z	D <sub>e</sub>	D <sub>p</sub>	Simplex				Esecuz. tipo Type Typ Tipo
			cod.	d	H	per Bussola für Buchse pour Moyeux amovibles para Casquillos cónicos	
15	65,5	61,90	TS 09T15	45	22	1008	1
16	69,5	65,10	TS 09T16	50	22	1108	1
17	73,6	69,11	TS 09T17	60	25	1210	1
18	77,8	73,14	TS 09T18	60	25	1210	1
19	81,7	77,16	TS 09T19	63	25	1210	1
20	85,8	81,19	TS 09T20	71	25	1610	1
21	89,7	85,22	TS 09T21	71	25	1610	1
22	93,8	89,24	TS 09T22	71	25	1610	1
23	98,2	93,27	TS 09T23	76	25	1610	1
24	101,8	97,29	TS 09T24	76	25	1610	1
25	105,8	101,33	TS 09T25	76	25	1610	1
26	110,0	105,36	TS 09T26	76	25	1610	1
27	114,4	109,40	TS 09T27	76	25	1610	1
28	118,0	113,42	TS 09T28	90	32	2012	1
30	126,1	121,50	TS 09T30	90	32	2012	1

### 5/8" x 3/8" - 10B R. 10,16

13	73,0	66,32	TS 10T13	47	22	1008	1
14	78,0	71,34	TS 10T14	52	22	1108	1
15	83,0	76,36	TS 10T15	60	25	1210	1
16	88,0	81,37	TS 10T16	70	25	1610	1
17	93,0	86,36	TS 10T17	71	25	1610	1
18	98,3	91,42	TS 10T18	75	25	1610	1
19	103,3	96,45	TS 10T19	75	25	1610	1
20	108,4	101,49	TS 10T20	75	25	1610	1
21	113,4	106,52	TS 10T21	76	25	1610	1
22	118,0	111,55	TS 10T22	76	25	1610	1
23	123,4	116,58	TS 10T23	76	25	1610	1
24	128,3	121,62	TS 10T24	90	32	1610	1
25	134,0	126,66	TS 10T25	90	32	2012	1
26	139,0	131,70	TS 10T26	90	32	2012	1
27	144,0	136,75	TS 10T27	90	32	2012	1
28	148,7	141,78	TS 10T28	90	32	2012	1
30	158,8	151,87	TS 10T30	90	32	2012	1

### 3/4" x 7/16" - 12B R. 12,07

13	87,5	79,59	TS 11T13	60	25	1210	1
14	93,6	85,61	TS 11T14	70	25	1610	1
15	99,8	91,63	TS 11T15	70	25	1610	1
16	105,5	97,65	TS 11T16	75	25	1610	1
17	111,5	103,67	TS 11T17	76	25	1610	1
18	118,0	109,71	TS 11T18	90	32	2012	1
19	124,2	115,75	TS 11T19	90	32	2012	1
20	129,7	121,78	TS 11T20	90	32	2012	1
21	136,0	127,82	TS 11T21	102	45	2517	1
22	141,8	133,86	TS 11T22	102	45	2517	1
23	149,0	139,90	TS 11T23	108	45	2517	1
24	153,9	145,94	TS 11T24	108	45	2517	1
25	160,0	152,00	TS 11T25	108	45	2517	1
26	165,9	158,04	TS 11T26	108	45	2517	1
27	172,3	164,00	TS 11T27	108	45	2517	1
28	178,0	170,13	TS 11T28	108	45	2517	1
30	190,5	182,25	TS 11T30	108	45	2517	1

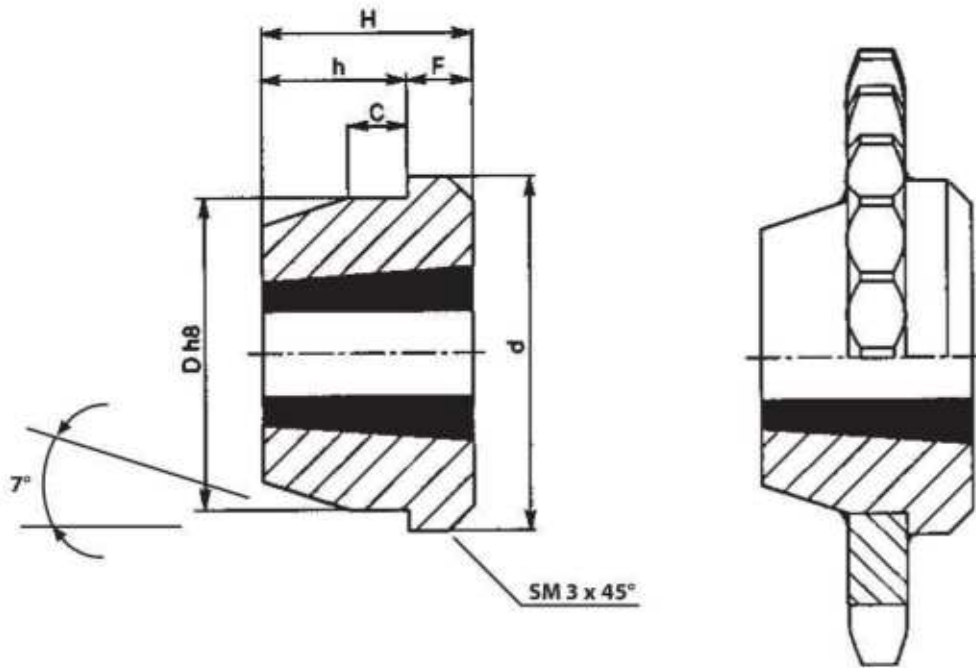
### 1" x 17,2 - 16B R. 15,88

13	117,0	106,12	TS 12T13	73	25	1610	1
14	125,0	114,15	TS 12T14	76	25	1610	1
15	133,0	122,17	TS 12T15	76	25	1610	1
16	141,0	130,20	TS 12T16	90	32	2012	1
17	149,0	138,22	TS 12T17	90	32	2012	1
18	157,0	146,28	TS 12T18	108	45	2517	1
19	165,2	154,33	TS 12T19	108	45	2517	1
20	173,2	162,38	TS 12T20	108	45	2517	1
21	181,2	170,43	TS 12T21	110	45	2517	1
22	189,3	178,48	TS 12T22	110	45	2517	1
23	197,5	186,53	TS 12T23	110	45	2517	1
24	205,5	194,59	TS 12T24	110	45	2517	1
25	213,5	202,66	TS 12T25	110	45	2517	1
26	221,6	210,72	TS 12T26	110	45	2517	1
27	229,6	218,79	TS 12T27	110	45	2517	1
28	237,7	226,85	TS 12T28	110	45	2517	1
30	254,0	243,00	TS 12T30	140	51	3020	1

### 1" 1/4 x 3/4" - 20B R. 19,05

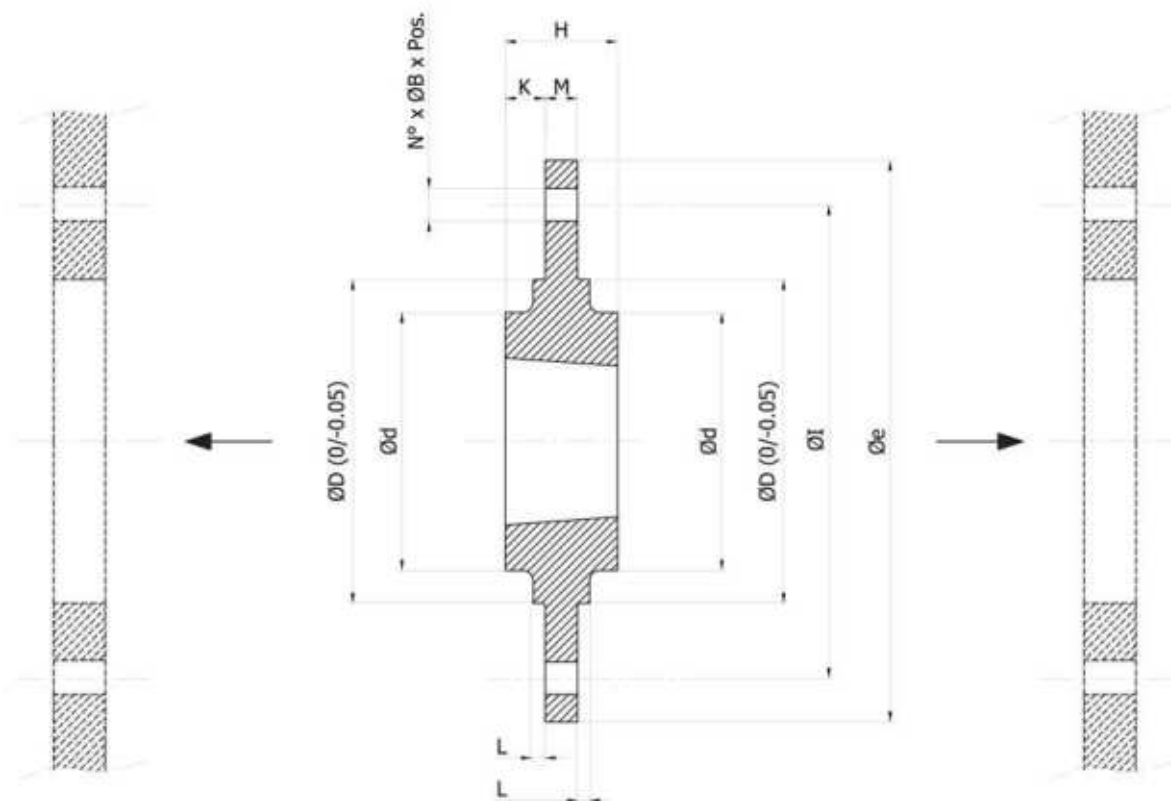
13	147,8	132,65	TS 13T13	90	32	2012	1
15	167,9	152,72	TS 13T15	108	45	2517	1
17	187,9	172,78	TS 13T17	108	45	2517	1
19	208,1	192,91	TS 13T19	108	45	2517	1
21	228,2	213,04	TS 13T21	108	45	2517	1
23	248,3	233,17	TS 13T23	108	45	2517	1
25	268,5	253,33	TS 13T25	108	45	2517	1
27	288,6	273,40	TS 13T27	150	51	3020	1
30	318,9	303,75	TS 13T30	150	51	3020	1

**Mozzi saldabili per bussola conica**  
**Welding hubs for taper bushes**  
**Einschweissnaben für Taper-Spannbuchsen**  
**Moyeux coniques a souder**  
**Cubos soldados para casquillos cónicos**



Materiale Fe	Material Fe	Werkstoff Fe	Matière Fe	Material Fe			
Tipo bussola Bush type Buchse typ Moyeux type Casquillos tipo	cod.	d	H	C	F	h	Dh8
1210	MSB1210	73	25	10	9	16	60
1215	MSB1215	76	38	11	16	22	60
1610	MSB1610	83	25	10	9	16	70
1615	MSB1615	83	38	11	16	22	70
2012	MSB2012	96	32	12	10	22	90
2517	MSB2517	127	45	13	19	26	110
3020	MSB3020	152	51	18	24	27	130
3030	MSB3030	152	76	19	25	51	130
3525	MSB3525	184	65	25	25	40	155
3535	MSB3535	184	89	25	32	57	155
4040	MSB4040	225	102	35	32	70	195
4545	MSB4545	254	114	40	38	76	220
5050	MSB5050	276	127	40	38	89	242

**Mozzi smontabili per bussola conica**  
**Bolt-on hubs for taper bushes**  
**Anschraubnaben für Spannbuchsen**  
**Plateaux à boulonner pour m.a.**  
**Cubos atornillados para casquillos cónicos**



**Ghisa**  
**EN-GJL-250 UNI EN 1561**  
 (\*) Acciaio S235JR UNI EN 10025-2

**Cast iron**  
**EN-GJL-250 UNI EN 1561**  
 (\*) Steel S235JR UNI EN 10025-2

**Grauguss**  
**EN-GJL-250 UNI EN 1561**  
 (\*) Stahl S235JR UNI EN 10025-2

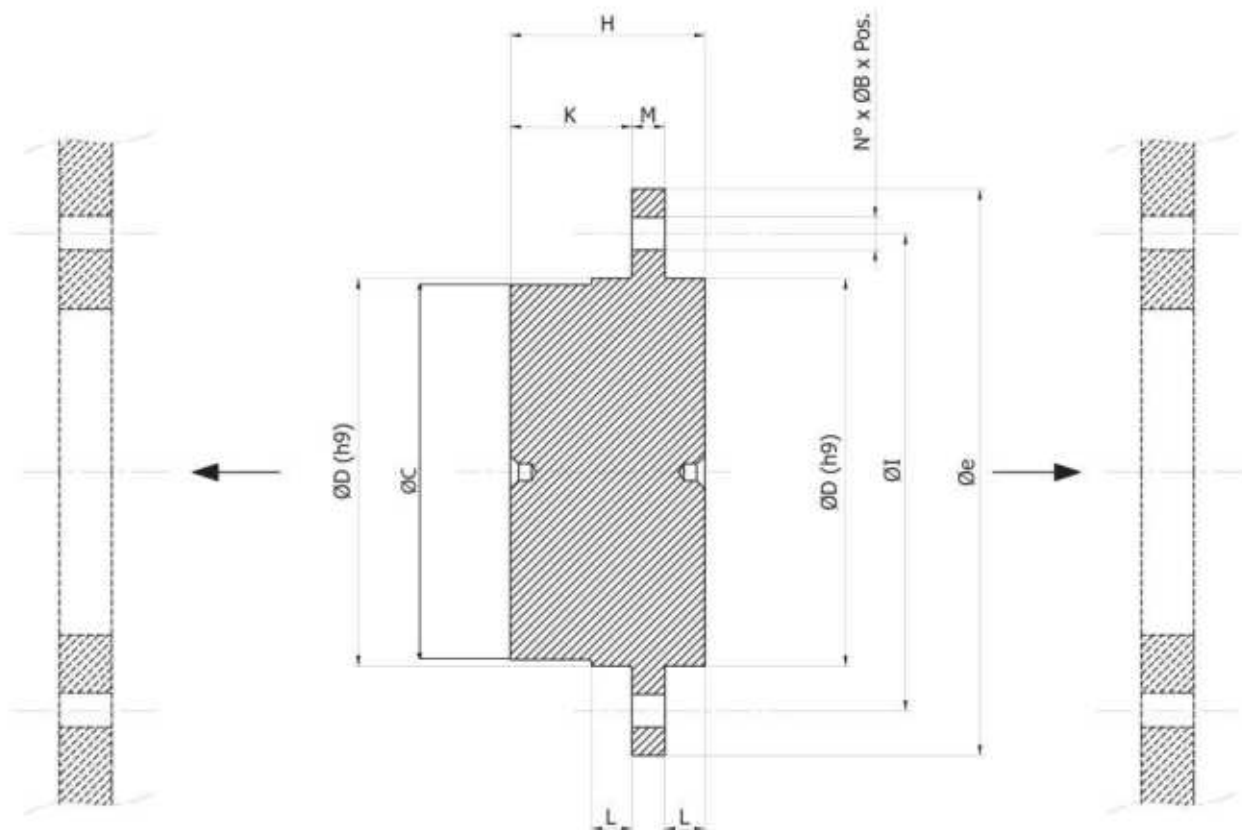
**Fonte**  
**EN-GJL-250 UNI EN 1561**  
 (\*) Acier S235JR UNI EN 10025-2

**Hierro fundido**  
**EN-GJL-250 UNI EN 1561**  
 (\*) Acero S235JR UNI EN 10025-2

Cod.	per Bussola (**) for Bush (**) für Buchse (**) pour Moyeux amovibles (**) para Casquillos cónicos (**)	Øe	ØD (0/-0,05)	ØI	Ød	H	K	M	L	N°	ØB	Pos.
MCT1210120	1210	120	80	100	70	25	9,00	7,5	2,5	6	7,5	60°
MCT1210180	1210	180	90	135	75	25	9,25	6,5	2,5	6	7,5	60°
MCT1610130	1610	130	90	110	80	25	9,00	7,5	2,5	6	7,5	60°
MCT1615200	1615	200	110	150	85	38	15,30	7,5	2,5	6	7,5	60°
MCT2012145	2012	145	115	125	95	32	12,00	9,5	2,5	6	9,5	60°
MCT2012270	2012	270	140	190	110	32	11,80	8,5	2,5	6	9,5	60°
MCT2517185	2517	185	130	155	115	45	19,00	12,5	2,5	6	11,5	60°
MCT2517340	2517	340	170	240	125	45	17,80	9,5	2,5	8	11,5	45°
MCT3020220	3020	220	165	190	145	51	19,00	12,5	2,5	6	13,5	60°
MCT3020430	3020	430	220	300	160	51	18,80	13,5	2,5	8	13,5	45°
MCT3020485 (*)	3020	485	250	340	160	51	18,80	13,5	2,5	8	13,5	45°

(\*\*) esclusa / not included / nicht eingeschlossen / non inclus / no incluido

**Mozzi smontabili per corone**  
**Bolt-on hubs for plate wheels**  
**Anschraubnaben für Kettenradscheiben**  
**Plateaux à boulonner pour disques**  
**Cubos atornillados para discos**



**Acciaio**  
**S235JR UNI EN 10025-2**

**Steel**  
**S235JR UNI EN 10025-2**

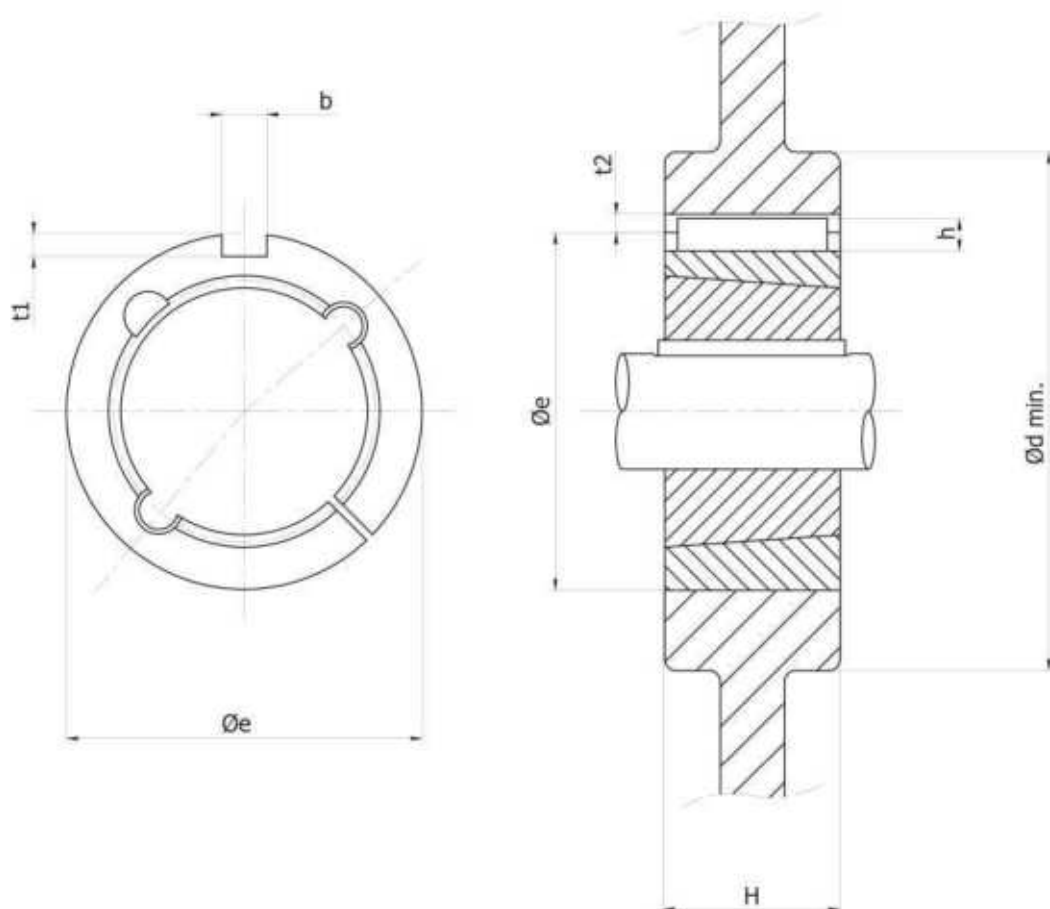
**Stahl**  
**S235JR UNI EN 10025-2**

**Acier**  
**S235JR UNI EN 10025-2**

**Acero**  
**S235JR UNI EN 10025-2**

Cod.	Øe	ØD (h9)	ØC	ØI	H	K	L	M	N°	ØB	Pos.
MC030	55	30	27	45	20,0	13,0	3,0	4	6	4,2	60°
MC040	70	40	37	58	25,0	14,8	5,2	5	6	5,2	60°
MC050	80	50	47	67	32,0	18,0	7,0	7	6	6,2	60°
MC060	90	60	55	76	38,5	22,8	8,7	7	6	6,2	60°
MC070	110	70	65	94	45,5	27,0	10,5	8	6	8,2	60°
MC080	130	80	75	107	55,0	28,0	15,0	12	6	8,2	60°
MC100	170	100	95	140	73,0	33,0	23,0	17	6	10,2	60°
MC140	220	140	135	182	83,0	40,0	23,0	20	6	12,2	60°
MC160	245	160	155	205	93,0	43,0	25,0	25	6	16,5	60°

**Adattatori per bussole coniche**  
**Adaptors for taper bushes**  
**Adapter für Taper-Spannbuchsen**  
**Adaptateurs pour moyeu amovible**  
**Adaptatores para casquillos cónicos**



**Ghisa** EN-GJL-250 UNI EN 1561    **Cast iron** EN-GJL-250 UNI EN 1561    **Grauguss** EN-GJL-250 UNI EN 1561    **Fonte** EN-GJL-250 UNI EN 1561    **Hierro fundido** EN-GJL-250 UNI EN 1561

Cod.	per Bussola (*) for Bush (*) für Buchse (*) pour Moyeux amovibles (**) para Casquillos cónicos (*)	Øe	H	b x h		t1 (**)	t2 (**)	Ød min.	
				per Linguetta UNI 6604 (*) for Key UNI 6604 (*) für Passfeder UNI 6604 (*) pour Clavette UNI 6604 (*) para Claves UNI 6604 (*)				Acciaio Steel Stahl Acier Acero	Ghisa Cast Iron Grauguss Fonte Hierro fundido
ABC1008	1008	45	22	5 x 5		2,5	2,8	60	75
ABC1210	1210	60	25	6 x 6		3,0	3,3	85	105
ABC1610	1610	70	25	10 x 8		4,0	4,3	95	115
ABC1615	1615	70	38	10 x 8		4,0	4,3	95	115
ABC2517	2517	105	45	16 x 10		4,0	6,3	130	150
ABC3030	3030	130	76	20 x 12		5,0	7,4	160	190
ABC3535	3535	160	90	22 x 12 (**)		5,0	7,4	200	240
ABC4040	4040	185	102	24 x 12 (**)		5,0	7,4	240	290

(\*) esclusa / not included / nicht eingeschlossen / non inclus / no incluido

(\*\*) Queste dimensioni divergono dai requisiti della norma UNI 6604 / These dimensions differ from the requirements of UNI 6604  
 Diese Maße weichen von den Anforderungen der Norm UNI 6604 ab / Ces dimensions s'écartent des exigences de la norme UNI 6604  
 Estas dimensiones difieren de los requisitos de la norma UNI 6604



## Bussole coniche / Taper bushes

### Taper Spannbuchsen / Moyeux amovibles / Casquillos cónicos

Le bussole coniche sono il sistema più pratico e conveniente per fissare dei componenti a un albero di trasmissione senza ricorrere ad attrezzature particolari.

Essendo infatti già provviste di foro finito, cava, fori filettati e viti di fissaggio, permettono di risparmiare sui costi e i tempi delle lavorazioni meccaniche speciali.

Tutte le bussole coniche della nostra gamma possono essere utilizzate indifferentemente sui seguenti prodotti:

- Pignoni per catena
- Pulegge a gola
- Pulegge dentate
- Giunti flessibili
- Giunti HRC
- Mozzi saldabili

#### MONTAGGIO

Assicurarsi che le superfici coniche siano pulite, prive di oli o polveri. Inserire la bussola nella ruota in modo da allineare i fori (1).

Posizionare le viti nei fori filettati, senza stringerle.

Pulire l'albero e quindi montare ruota e bussola nella posizione desiderata, considerando che la bussola stringe prima l'albero e poi la ruota (2).

Stringere le viti prima a mano (3) poi gradualmente e in modo alternato con una chiave esagonale (4). Verificare la chiusura delle viti dopo un breve periodo di funzionamento.

#### SMONTAGGIO

Allentare tutte le viti e rimuovere una o due in base al numero dei fori di smontaggio.

Inserire le viti nei fori di smontaggio ed avvitare in modo alternato fino all'allentamento della bussola e fintanto che il gruppo non sia libero sull'albero (5). Rimuovere la bussola e la ruota dall'albero.

*Taper bushes are the most convenient and cost effective method of fixing components to a mating shaft without using any special tools.*

*Taper bushes are already provided with the required bore, keyway, threaded holes and setting screws, thus allowing to save time and money on machining processes.*

*All taper bushes in our range are designed for use with all the following products:*

- Chain sprockets
- V-belt pulleys
- Timing belt pulleys
- Flexible couplings
- HRC couplings
- Weld-on hubs

#### INSTALLATION

*After ensuring that the mating surfaces are clean and free from oil and dirt, insert bush in wheel hub so that holes line up (1).*

*Place screws loosely in the threaded holes.*

*Clean shaft and fit assembly to shaft in the position desired, considering that bush will grip the shaft first and then the wheel (2).*

*Tighten screws first by hand (3), then using an Allen wrench, gradually and alternately (4).*

*After short time running of the drive, check tightness of screws.*

#### REMOVAL

*Loosen all screws and remove one or two according to the number of removal holes. Insert screws into removal holes and tighten them alternately until the bush is loosened and the assembly is free on the shaft (5). Remove assembly from the shaft.*

Die Spannbuchsen stellen das praktischste und günstigste System zur Befestigung von Bauteilen auf Antriebswellen dar, ohne dass auf spezielle Einrichtungen zurückgegriffen werden muss.

Da die Spannbuchsen mit Fertigbohrung, Passfedernut, Gewindebohrungen und Befestigungsschrauben schon versehen sind, ermöglichen sie, an Kosten und Zeitaufwand für spezielle maschinelle Bearbeitungen zu sparen. Alle Spannbuchsen aus unserer Reihe können unterschiedslos auf den folgenden Produkten benutzt werden:

- Kettenräder
- Keilriemenscheiben
- Zahnriemenscheiben
- Drehelastische Kupplungen
- HRC-Kupplungen
- Einschweissnaben

#### EINBAU

Sicherstellen dass die Kegelflächen öl- und staubfrei sind, anschließend die Buchse in die Nabe einbauen, und prüfen dass die Bohrungen fluchten (1). Die Befestigungsschrauben in die Gewindebohrungen einsetzen, ohne sie anzuziehen.

Die Welle reinigen und die Scheibe zusammen mit der eingesetzten Buchse bis zur gewünschten Lage auf die Welle schieben; dabei beachten, dass die Buchse zuerst an der Welle und dann an der Scheibe spannt (2). Die Befestigungsschrauben zuerst von Hand (3), dann mittels Inbusschlüssel stufenweise und abwechselnd anziehen (4). Nach kurzer Betriebszeit Anzugsmoment der Schrauben überprüfen.

#### AUSBAU

Alle Schrauben lösen. Je nach der Anzahl an Abdrückbohrungen ein oder zwei Schrauben ganz herausdrehen und in die Abdrückbohrungen einschrauben. Die Schraube oder Schrauben abwechselnd anziehen, bis sich die Buchse aus der Nabe löst und die Scheibe sich frei auf der Welle bewegen lässt (5). Scheibe und Buchse von der Welle abnehmen.

*Les moyeux amovibles représentent le système plus pratique et convenable pour fixer des composants sur un arbre de transmission sans avoir recours à aucun outil spécial.*

*Etant déjà pourvus d'alésage, rainure de clavette, trous taraudés et vis de fixation, les moyeux amovibles prêts à monter permettent d'économiser sur les coûts et les temps d'usinage.*

*Tous les moyeux amovibles de notre gamme peuvent être utilisés indifféremment avec les produits suivants:*

- Pignons à chaîne
- Poulies trapezoidales
- Poulies dentées
- Accouplements élastiques
- Accouplements HRC
- Moyeux à souder

#### MONTAGE

*Une fois les surfaces coniques soigneusement nettoyées et dégraissées, introduire le moyeu dans la roue en alignant correctement les taraudages (1).*

*Mettre en place les vis dans les taraudages, sans les serrer.*

*Nettoyer l'arbre, et placer l'ensemble roue et moyeu sur l'arbre à l'endroit désiré, en se rappelant que le moyeu bloque d'abord l'arbre et ensuite la roue (2).*

*Serrer les vis d'abord à la main (3) et ensuite graduellement et alternativement avec une clé à six pans Allen (4).*

*Vérifier le serrage des vis après quelque temps de fonctionnement.*

#### EXTRACTION

*Desserer toutes les vis et en ôter une ou deux selon le nombre des trous d'extraction. Insérer les vis dans les trous d'extraction et les serrer alternativement jusqu'à ce que le moyeu soit débloqué de la roue et que l'ensemble coulisse librement sur l'arbre (5).*

*Oter l'ensemble roue - moyeu de l'arbre.*

Los casquillos cónicos son el sistema más práctico y adecuado para fijar unos componentes a un eje de transmisión sin tener que utilizar utilajes particulares.

Los caquillos vienen dotados ya de agujero acabado, chavetero, prisioneros y tornillos, permitiendo así de ahorrar tiempo y reducir los gastos de las mecanizaciones especiales.

Todos los casquillos cónicos de nuestra gama se pueden utilizar con todos los productos siguientes:

- Piñones por cadena
- Poleas trapezoidales
- Poleas dentadas
- Acoplamientos flexibles
- Acoplamientos HRC
- Cubos soldables

#### MONTAJE

Asegurarse que las superficies cónicas estén limpias, sin aceites o polvos. Introducir el casquillo en la rueda, de manera que los agujeros resulten alineados (1).

Ajustar los tornillos en los prisioneros, sin apretarlos.

Limpiar el eje y después montar rueda y casquillo en la posición deseada, teniendo en cuenta que el casquillo antes aprieta el eje y después la rueda (2).

Apretar los tornillos manualmente (3), después progresivamente y de manera alternada con una llave hexagonal (4).

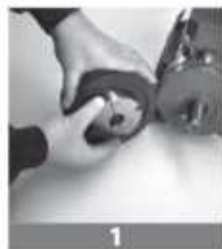
Averiguar el cierre de los tornillos después de un breve periodo de marcha.

#### DESMONTAJE

Soltar todos los tornillos y quitar uno o dos según el número de los agujeros de desmontaje. Introducir los tornillos en los ejes y enroscar de manera alternada hasta la distensión del casquillo, y hasta que el grupo no resulte soltado del eje (5). Quitar el casquillo y la rueda del eje.

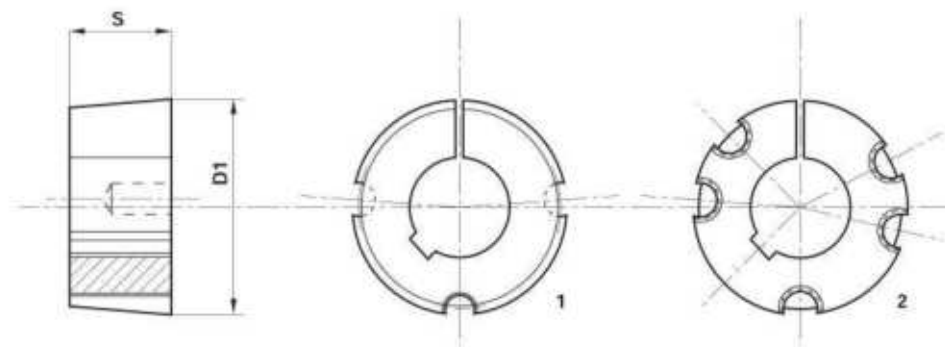


● Fori di smontaggio / Removal holes / Abdrückbohrungen / Trous d'extraction / Agujeros de desmontaje



# Bussole coniche / Taper bushes

## Taper Spannbuchsen / Moyeux amovibles / Casquillos cónicos taper



<b>Ghisa</b> <b>EN-GJL-250 UNI EN 1561</b>	<b>Cast iron</b> <b>EN-GJL-250 UNI EN 1561</b>	<b>Grauguss</b> <b>EN-GJL-250 UNI EN 1561</b>	<b>Fonte</b> <b>EN-GJL-250 UNI EN 1561</b>	<b>Hierro fundido</b> <b>EN-GJL-250 UNI EN 1561</b>
---	---	--	---	--

<b>Fori standard serie metrica</b>	<b>Standard stock bores metric series</b>	<b>Standard Bohrungen metrische Reihe</b>	<b>Alésages standard de stock série métrique</b>	<b>Taladros standard de acopio serie métrica</b>
------------------------------------	---	---	--	--

**Esempio:** Codice Foro in mm  
Ø 14 = 1615014

**Exemple:** Code symbol Bore  
in mm Ø 14 = 1615014

**Beispiel:**  
Bezeichnung Bohrung in mm  
Ø 14 = 1615014

**Exemple:**  
Code symbole Alesage en  
mm Ø 14 = 1615014

**Ejemplo:**  
Numero de fabrica Taladros  
en mm Ø 14 = 1615014

Tipo bussola Bush type Buchse Typ Moyeux type Casquillos tipo	Cod.	Foro (ISO E 8) Bore (ISO E 8) Bohrung (ISO E 8) Alesage (ISO E 8) Taladro (ISO E 8) mm														Coppia trasmissibile Transmissible torque übertragbares Dreh- moment moment Couple transmissible Cupla de transmission Nm	Viti Screws Schrauben Vis Tornillo B.S.W.	Coppia di serraggio viti Screw tightening torque Anzugmoment Schrauben Couple de serrage des vis. Par de apriete tornillos Nm	D1 mm	Typo Type Type Tipo	S mm	Peso Weight Gewicht Poids Peso Kg						
1008	1008...	9	10	11	12	14	15	16	18	19	20	22	24*	25*	136	1/4" x 1/2"	5,6	35,0	1	22,3	0,16							
1108	1108...	9	10	11	12	14	15	16	18	19	20	22	24	25	28*	147	1/4" x 1/2"	5,6	38,0	1	22,3	0,16						
1210	1210...	11	12	14	15	16	18	19	20	22	24	25	28	30	32	407	3/8" x 5/8"	19,6	47,5	1	25,4	0,32						
1215	1215...	14	19	20	24	25	28	407	3/8" x 5/8"	19,6	47,5	1	38,1	0,50														
1610	1610...	14	15	16	18	19	20	22	24	25	28	30	32	35	38	40	42*	486	3/8" x 5/8"	19,6	57,0	1	25,4	0,41				
1615	1615...	14	16	18	19	20	22	24	25	28	30	32	35	38	40	42*	486	3/8" x 5/8"	19,6	57,0	1	38,1	0,60					
2012	2012...	14	16	18	19	20	22	24	25	28	30	32	35	38	40	42	45	48	50	808	7/16" x 7/8"	30,4	70,0	1	31,8	0,75		
2517	2517...	16	18	19	20	22	24	25	28	30	32	35	38	40	42	45	48	50	55	60	65*	1310	1/2" x 1"	48	85,5	1	44,5	1,06
3020	3020...	25	28	30	32	35	38	40	42	45	48	50	55	60	65	70	75	2710	5/8" x 1 1/4"	90	108,0	1	50,8	2,50				
3030	3030...	35	38	40	42	45	48	50	55	60	65	70	75	2710	5/8" x 1 1/4"	90	108,0	1	76,2	3,75								
3525	3525...	35	38	40	42	45	48	50	55	60	65	70	75	80	85	90	5060	1/2" x 1 1/2"	112	127,0	2	64,9	4,20					
3535	3535...	35	38	40	42	45	48	50	55	60	65	70	75	80	85	90	5060	1/2" x 1 1/2"	112	127,0	2	88,9	5,13					
4030	4030...	40	42	45	48	50	55	60	65	70	75	80	85	90	8740	5/8" x 1 3/4"	169	146,0	2	76,2	6,75							
4040	4040...	40	42	45	48	50	55	60	65	70	75	80	85	90	95	8740	5/8" x 1 3/4"	169	146,0	2	101,6	7,68						
4535	4535...	65	70	75	80	85	90	95	100	110	120	12400	3/4" x 2"	192	162,0	2	89,0	9,95										
4545	4545...	55	60	65	70	75	80	85	90	95	100	110	12400	3/4" x 2"	192	162,0	2	115,0	10,56									
5040	5040...	70	75	80	85	90	95	100	105	110	115	120	125	14200	7/8" x 2 1/4"	271	177,6	2	101,6	14,20								
5050	5050...	70	75	80	85	90	95	100	105	110	115	120	125	14200	7/8" x 2 1/4"	271	177,6	2	127,0	15,17								

**Dimensioni delle cave (UNI 6604 DIN 6885) con foro standard serie metrica**

**Dimensions of keyways (UNI 6604 DIN 6885) with standard bore metric series**

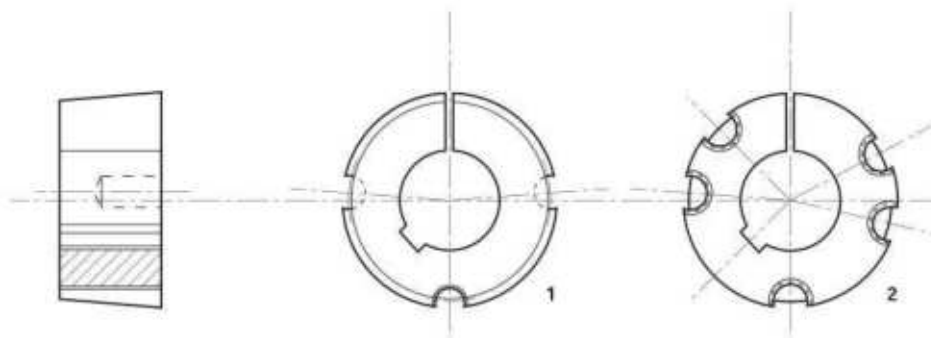
**Abmessungen der Keilnuten (UNI 6604 DIN 6885) mit Standardbohrung metrische Reihe**

**Dimens. des rainures de clavette (UNI 6604 DIN 6885) dans le moyeux avec alésage stand. série métrique**

**Medidas de los chaveteros (UNI 6604 DIN 6885) con agujero standard serie métrica**

Over	D	b	Js9	t	Dimensioni delle cave ribassate Abmessungen der abgeflachten Keilnuten Dimensions des rainures de clavette surbaissées Medidas de los chaveteros rebajados		
					D*	b	t
*	10 to 12	4	± 0,015	D + 1,8	24*	8	D + 1,3
*	12 * 17	5		D + 2,3			
*	17 * 22	6		D + 2,8			
*	22 * 30	8	D + 3,3				
*	30 * 38	10	± 0,018	D + 3,3			
*	38 * 44	12	± 0,021	D + 3,3	25*	8	D + 1,3
*	44 * 50	14		D + 3,8			
*	50 * 58	16		D + 4,3			
*	58 * 65	18		D + 4,4			
*	65 * 75	20	± 0,026	D + 4,9	28*	8	D + 1,3
*	75 * 85	22		D + 5,4			
*	85 * 95	25		D + 5,4			
*	95 * 110	28		D + 6,4			
*	110 * 130	32	± 0,031	D + 7,4	42*	12	D + 1,3
					65*	18	D + 2,8

# Bussole coniche / Taper bushes Taper Spannbuchsen / Moyeux amovibles / Casquillos cónicos taper



**Ghisa** EN-GJL-250 UNI EN 1561     **Cast iron** EN-GJL-250 UNI EN 1561     **Grauguss** EN-GJL-250 UNI EN 1561     **Fonte** EN-GJL-250 UNI EN 1561     **Hierro fundido** EN-GJL-250 UNI EN 1561

**Fori standard in pollici**     **Standard stock bores series in inches**     **Standard Bohrungen Reihe in Zoll**     **Alésages standard de stock série en pouces**     **Taladros standard de acopio en pulgadas**

Tipo bussola Bush type Buchse typ Moyeux Type Casquillos tipo	Cod.	Foro in pollici (ISO E 8) Bore in inches (ISO E 8) Bohrung in Zoll (ISO E 8) Alésage en pouces (ISO E 8) Taladro en pulgadas (ISO E 8)
1008	1008...	3/8" - 1/2" - 5/8" - 3/4" - 7/8" - 1"
1108	1108...	3/8" - 1/2" - 5/8" - 3/4" - 7/8" - 1" - 1 1/8"
1210	1210...	1/2" - 5/8" - 3/4" - 7/8" - 1" - 1 1/8" - 1 1/4"
1215	1215...	1/2" - 5/8" - 3/4" - 7/8" - 1" - 1 1/8" - 1 1/4"
1610	1610...	1/2" - 5/8" - 3/4" - 7/8" - 1" - 1 1/8" - 1 1/4" - 1 3/8" - 1 1/2" - 1 5/8"
1615	1615...	1/2" - 5/8" - 3/4" - 7/8" - 1" - 1 1/8" - 1 1/4" - 1 3/8" - 1 1/2" - 1 5/8"
2012	2012...	3/4" - 7/8" - 1" - 1 1/8" - 1 1/4" - 1 3/8" - 1 1/2" - 1 5/8" - 1 3/4" - 1 7/8" - 2"
2517	2517...	3/4" - 7/8" - 1" - 1 1/8" - 1 1/4" - 1 3/8" - 1 1/2" - 1 5/8" - 1 3/4" - 1 7/8" - 2" - 2 1/8" - 2 1/4" - 2 3/8" - 2 1/2"
3020	3020...	1 1/4" - 1 3/8" - 1 1/2" - 1 5/8" - 1 3/4" - 1 7/8" - 2" - 2 1/8" - 2 1/4" - 2 3/8" - 2 1/2" - 2 5/8" - 2 3/4" - 2 7/8" - 3"
3030	3030...	1 1/4" - 1 3/8" - 1 1/2" - 1 5/8" - 1 3/4" - 1 7/8" - 2" - 2 1/8" - 2 1/4" - 2 3/8" - 2 1/2" - 2 5/8" - 2 3/4" - 2 7/8" - 3"
3525	3525...	1 1/2" - 1 5/8" - 1 3/4" - 1 7/8" - 2" - 2 1/8" - 2 1/4" - 2 3/8" - 2 1/2" - 2 5/8" - 2 3/4" - 2 7/8" - 3" - 3 1/8" - 3 1/4" - 3 3/8" - 3 1/2"
3535	3535...	1 1/2" - 1 5/8" - 1 3/4" - 1 7/8" - 2" - 2 1/8" - 2 1/4" - 2 3/8" - 2 1/2" - 2 5/8" - 2 3/4" - 2 7/8" - 3" - 3 1/8" - 3 1/4" - 3 3/8" - 3 1/2"
4030	4030...	1 3/4" - 1 7/8" - 2" - 2 1/8" - 2 1/4" - 2 3/8" - 2 1/2" - 2 5/8" - 2 3/4" - 2 7/8" - 3" - 3 1/8" - 3 1/4" - 3 3/8" - 3 1/2" - 3 5/8" - 4"
4040	4040...	1 3/4" - 1 7/8" - 2" - 2 1/8" - 2 1/4" - 2 3/8" - 2 1/2" - 2 5/8" - 2 3/4" - 2 7/8" - 3" - 3 1/8" - 3 1/4" - 3 3/8" - 3 1/2" - 3 5/8" - 4"
4535	4535...	2 1/4" - 2 3/8" - 2 1/2" - 2 5/8" - 2 3/4" - 2 7/8" - 3" - 3 1/8" - 3 1/4" - 3 3/8" - 3 1/2" - 3 5/8" - 4" - 4 1/4" - 4 1/2"
4545	4545...	2 1/4" - 2 3/8" - 2 1/2" - 2 5/8" - 2 3/4" - 2 7/8" - 3" - 3 1/8" - 3 1/4" - 3 3/8" - 3 1/2" - 3 5/8" - 4" - 4 1/4" - 4 1/2"
5040	5040...	2 3/4" - 2 7/8" - 3" - 3 1/8" - 3 1/4" - 3 3/8" - 3 1/2" - 3 5/8" - 4" - 4 1/4" - 4 1/2" - 4 3/4" - 5"
5050	5050...	2 3/4" - 2 7/8" - 3" - 3 1/8" - 3 1/4" - 3 3/8" - 3 1/2" - 3 5/8" - 4" - 4 1/4" - 4 1/2" - 4 3/4" - 5"

**Dimensioni delle cave (B.S. 46: part. 1: 1958) con fori in pollici**

**Dimensions of keyways (B.S. 46: part. 1: 1958) with standard bores in inches**

**Abmessungen der Keilnuten (B.S. 46: part. 1: 1958) mit Standardbohrung in Zoll**

**Dimensions des rainures des clavettes (B.S. 46: part. 1: 1958) dans le moyeux avec alésage standard série in pouces**

**Medidas de los chaveteros (B.S. 46: part. 1: 1958) en los casquillos con taladro standard en pulgadas**

D		b	t		Dimensioni delle cave ribassate Dimensions of low profile keyways Abmessungen der abgeflachten Keilnuten Dimensions des rainures de clavette surbaissées Medidas de los chaveteros rebajados		
OVER	TO				D*	b	t
1/4"	1/2"	1/8"	D + 1/16"		1"	1/4"	D + 1/16"
1/2"	3/4"	3/16"	D + 3/32"				
3/4"	1"	1/4"	D + 1/8"				
1"	1 1/4"	5/16"	D + 1/8"		1 1/8"	5/16"	D + 5/64"
1 1/4"	1 1/2"	3/8"	D + 1/8"				
1 1/2"	1 3/4"	7/16"	D + 5/32"				
1 3/4"	2"	1/2"	D + 5/32"		1 5/8"	7/16"	D + 1/8"
2"	2 1/2"	5/8"	D + 7/32"				
2 1/2"	3"	3/4"	D + 1/4"				
3"	3 1/2"	7/8"	D + 5/16"				
3 1/2"	4"	1"	D + 3/8"				
4"	5"	1 1/4"	D + 7/16"				
5"	6"	1 1/2"	D + 1/2"				
6"	7"	1 3/4"	D + 5/8"				