

**N.B.**  
Pignoni **temprati ad induzione** sui denti (45 ÷ 55 HRC).  
La sede linguetta è in asse con il dente.

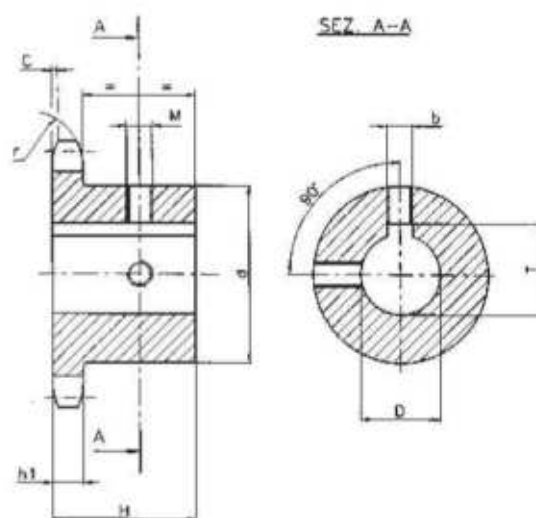
**N.B.**  
Sprockets have **induction hardened** teeth (45 ÷ 55 HRC).  
Keyway is located on center line of tooth.

**N.B.**  
**Verzahnung induktiv gehärtet** (45 ÷ 55 HRC).  
Die Keilnut ist auf Zahnmitte ausgerichtet.

**N.B.**  
Pignons ont denture **traitée par induction** (45 ÷ 55 HRC).  
La rainure de clavette se trouve exactement en axe du dent.

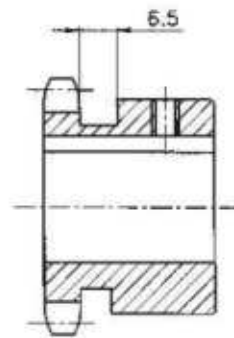
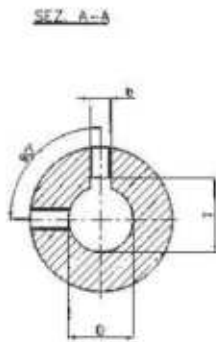
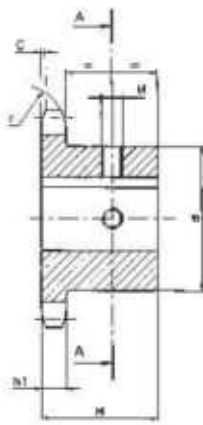
**N.B.**  
Piñones tienen dientes **templados por inducción** (45 ÷ 55 HRC).  
La claveta está exactamente en línea con el diente.

| D (H7) | b (H9) | T       |          | M   |
|--------|--------|---------|----------|-----|
| 10     | 3      | D + 1,4 | (+0,1/0) | M3  |
| 11     | 4      | D + 1,8 | (+0,1/0) | M3  |
| 12     | 4      | D + 1,8 | (+0,1/0) | M3  |
| 14     | 5      | D + 2,3 | (+0,1/0) | M4  |
| 15     | 5      | D + 2,3 | (+0,1/0) | M4  |
| 16     | 5      | D + 2,3 | (+0,1/0) | M4  |
| 18     | 6      | D + 2,8 | (+0,1/0) | M5  |
| 19     | 6      | D + 2,8 | (+0,1/0) | M5  |
| 20     | 6      | D + 2,8 | (+0,1/0) | M5  |
| 22     | 6      | D + 2,8 | (+0,2/0) | M5  |
| 24     | 8      | D + 3,3 | (+0,2/0) | M6  |
| 25     | 8      | D + 3,3 | (+0,2/0) | M6  |
| 28     | 8      | D + 3,3 | (+0,2/0) | M6  |
| 30     | 8      | D + 3,3 | (+0,2/0) | M6  |
| 32     | 10     | D + 3,3 | (+0,2/0) | M8  |
| 35     | 10     | D + 3,3 | (+0,2/0) | M8  |
| 38     | 10     | D + 3,3 | (+0,2/0) | M8  |
| 40     | 12     | D + 3,3 | (+0,2/0) | M10 |
| 42     | 12     | D + 3,3 | (+0,2/0) | M10 |
| 45     | 14     | D + 3,8 | (+0,2/0) | M12 |
| 48     | 14     | D + 3,8 | (+0,2/0) | M12 |
| 50     | 14     | D + 3,8 | (+0,2/0) | M12 |
| 60     | 18     | D + 4,4 | (+0,2/0) | M12 |
| 65     | 18     | D + 4,4 | (+0,2/0) | M12 |
| 70     | 20     | D + 4,9 | (+0,2/0) | M12 |









1/2" x 5/16"

Versione (\*) / Type (\*) / Typ (\*) / Tipo (\*)

08B-1 12,7 x 7,75 mm

DIN 8187 ISO/R606

| CATENA            | CHAIN          | KETTE         | CHAÎNE             | CADENA        | ISO mm |
|-------------------|----------------|---------------|--------------------|---------------|--------|
| Passo             | Pitch          | Teilung       | Pas                | Paso          | 12,7   |
| Larghezza interna | Internal width | Innere Breite | Largeur interieure | Ancho interno | 7,8    |
| Rullo ø           | Roller ø       | Rollen ø      | ø du rouleau       | Rodillo ø     | 8,5    |

| PIGNONE                     | SPROCKETS                  | KETTENRÄDER               | PIGNONS                         | PIÑONES                     |                    |
|-----------------------------|----------------------------|---------------------------|---------------------------------|-----------------------------|--------------------|
| Raggio dente r              | Tooth radius r             | Radius r                  | Rayon de denture r              | Radio diente r              | r 13,0             |
| Larghezza raggio C          | Radius width C             | Breite C                  | Largeur de rayon C              | Ancho radio C               | C 1,3              |
| Largh. Dente h <sub>1</sub> | Tooth width h <sub>1</sub> | Zahnbreite h <sub>1</sub> | Larg. de denture h <sub>1</sub> | Ancho diente h <sub>1</sub> | h <sub>1</sub> 7,2 |

b-T-M pag. / page 19

Materiale C45E  
UNI EN 10083-1

Material C45E  
UNI EN 10083-1

Werkstoff C45E  
UNI EN 10083-1

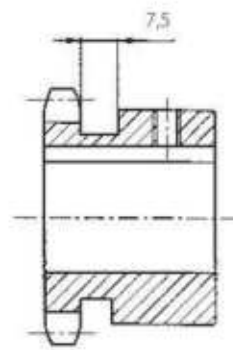
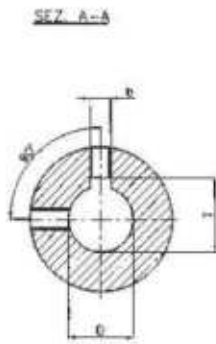
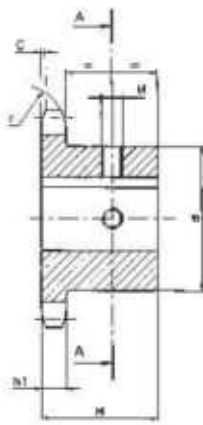
Matière C45E  
UNI EN 10083-1

Material C45E  
UNI EN 10083-1

| Cod.    | Z  | D  | H  | d   | Cod.    | Z  | D  | H  | d   | Cod.    | Z  | D  | H  | d  | Cod.    | Z  | D  | H  | d  |
|---------|----|----|----|-----|---------|----|----|----|-----|---------|----|----|----|----|---------|----|----|----|----|
| 09SA210 |    | 12 |    | 26  | 09SA515 |    | 15 |    |     | 09SC818 | 18 | 38 | 28 | 56 | 09SB822 |    | 28 |    |    |
| 09SA410 | 10 | 14 | 25 | 29* | 09SA615 |    | 16 |    |     | 09SA619 |    | 16 |    |    | 09SC022 |    | 30 |    |    |
| 09SA510 |    | 15 |    | 30* | 09SA815 |    | 18 |    |     | 09SA819 |    | 18 |    |    | 09SC222 | 22 | 32 | 28 | 70 |
| 09SA610 |    | 16 |    | 31* | 09SA915 |    | 19 |    |     | 09SA919 |    | 19 |    |    | 09SC522 |    | 35 |    |    |
| 09SA211 |    | 12 |    | 29  | 09SB015 |    | 20 |    | 45  | 09SB019 |    | 20 |    |    | 09SC822 |    | 38 |    |    |
| 09SA411 |    | 14 |    |     | 09SB215 | 15 | 22 | 28 |     | 09SB219 |    | 22 |    |    | 09SA923 |    | 19 |    |    |
| 09SA511 | 11 | 15 | 25 | 30  | 09SB415 |    | 24 |    |     | 09SB419 |    | 24 |    | 60 | 09SB023 |    | 20 |    |    |
| 09SA611 |    | 16 |    | 31  | 09SB515 |    | 25 |    |     | 09SB519 | 19 | 25 | 28 |    | 09SB223 |    | 22 |    |    |
| 09SA811 |    | 18 |    | 34* | 09SB815 |    | 28 |    |     | 09SB819 |    | 28 |    |    | 09SB423 |    | 24 |    |    |
| 09SA911 |    | 19 |    | 35* | 09SC015 |    | 30 |    | 47  | 09SC019 |    | 30 |    |    | 09SB523 | 23 | 25 | 28 | 70 |
| 09SA212 |    | 12 |    |     | 09SC215 |    | 32 |    | 49* | 09SC219 |    | 32 |    |    | 09SB823 |    | 28 |    |    |
| 09SA412 |    | 14 |    |     | 09SA516 |    | 15 |    |     | 09SC519 |    | 35 |    |    | 09SC023 |    | 30 |    |    |
| 09SA512 |    | 15 |    | 33  | 09SA616 |    | 16 |    |     | 09SC819 |    | 38 |    |    | 09SC223 |    | 32 |    |    |
| 09SA612 |    | 16 |    |     | 09SA816 |    | 18 |    |     | 09SA620 |    | 16 |    |    | 09SC523 |    | 35 |    |    |
| 09SA812 | 12 | 18 | 28 |     | 09SA916 |    | 19 |    |     | 09SA820 |    | 18 |    |    | 09SC823 |    | 38 |    |    |
| 09SA912 |    | 19 |    | 35  | 09SB016 |    | 20 |    | 50  | 09SA920 |    | 19 |    |    | 09SA924 |    | 19 |    |    |
| 09SB012 |    | 20 |    | 36  | 09SB216 | 16 | 22 | 28 |     | 09SB020 |    | 20 |    |    | 09SB024 |    | 20 |    |    |
| 09SB212 |    | 22 |    | 38* | 09SB416 |    | 24 |    |     | 09SB220 |    | 22 |    |    | 09SB224 |    | 22 |    |    |
| 09SB412 |    | 24 |    | 41* | 09SB516 |    | 25 |    |     | 09SB420 |    | 24 |    | 64 | 09SB424 |    | 24 |    |    |
| 09SB512 |    | 25 |    | 42* | 09SB816 |    | 28 |    |     | 09SB520 | 20 | 25 | 28 |    | 09SB524 | 24 | 25 | 28 | 70 |
| 09SA213 |    | 12 |    |     | 09SC016 |    | 30 |    |     | 09SB820 |    | 28 |    |    | 09SB824 | 24 | 28 | 28 |    |
| 09SA413 |    | 14 |    |     | 09SC216 |    | 32 |    | 53* | 09SC020 |    | 30 |    |    | 09SC024 |    | 30 |    |    |
| 09SA513 |    | 15 |    |     | 09SA517 |    | 15 |    |     | 09SC220 |    | 32 |    |    | 09SC224 |    | 32 |    |    |
| 09SA613 |    | 16 |    | 37  | 09SA617 |    | 16 |    |     | 09SC520 |    | 35 |    |    | 09SC524 |    | 35 |    |    |
| 09SA813 |    | 18 |    |     | 09SA817 |    | 18 |    |     | 09SC820 |    | 38 |    |    | 09SC824 |    | 38 |    |    |
| 09SA913 | 13 | 19 | 28 |     | 09SA917 |    | 19 |    |     | 09SA621 |    | 16 |    |    | 09SA925 |    | 19 |    |    |
| 09SB013 |    | 20 |    |     | 09SB017 |    | 20 |    |     | 09SA821 |    | 18 |    |    | 09SB025 |    | 20 |    |    |
| 09SB213 |    | 22 |    |     | 09SB217 | 17 | 22 | 28 | 52  | 09SA921 |    | 19 |    |    | 09SB225 |    | 22 |    |    |
| 09SB413 |    | 24 |    | 42* | 09SB417 |    | 24 |    |     | 09SB021 |    | 20 |    |    | 09SB425 |    | 24 |    |    |
| 09SB513 |    | 25 |    | 45* | 09SB517 |    | 25 |    |     | 09SB221 |    | 22 |    |    | 09SB525 | 25 | 25 | 28 | 70 |
| 09SB813 |    | 28 |    |     | 09SB817 |    | 28 |    |     | 09SB421 | 21 | 24 | 28 | 68 | 09SB825 |    | 28 | 28 |    |
| 09SA214 |    | 12 |    |     | 09SC017 |    | 30 |    |     | 09SB521 |    | 25 |    |    | 09SC025 |    | 30 |    |    |
| 09SA414 |    | 14 |    |     | 09SC217 |    | 32 |    |     | 09SB821 |    | 28 |    |    | 09SC225 |    | 32 |    |    |
| 09SA514 |    | 15 |    |     | 09SA618 |    | 16 |    |     | 09SC021 |    | 30 |    |    | 09SC525 |    | 35 |    |    |
| 09SA614 |    | 16 |    | 41  | 09SA818 |    | 18 |    |     | 09SC221 |    | 32 |    |    | 09SC825 |    | 38 |    |    |
| 09SA814 |    | 18 |    |     | 09SA918 |    | 19 |    |     | 09SC521 |    | 35 |    |    | 09SB530 |    | 25 |    |    |
| 09SA914 | 14 | 19 |    |     | 09SB018 |    | 20 |    |     | 09SC821 |    | 38 |    |    | 09SB830 |    | 28 |    |    |
| 09SB014 |    | 20 |    |     | 09SB218 |    | 22 |    |     | 09SA622 |    | 16 |    |    | 09SC030 | 30 | 30 | 30 | 80 |
| 09SB214 |    | 22 |    |     | 09SB418 | 18 | 24 | 28 | 56  | 09SA822 |    | 18 |    |    | 09SC230 |    | 32 |    |    |
| 09SB414 |    | 24 |    |     | 09SB518 |    | 25 |    |     | 09SA922 |    | 19 |    |    | 09SC530 |    | 35 |    |    |
| 09SB514 |    | 25 |    |     | 09SB818 |    | 28 |    |     | 09SB022 | 22 | 20 | 28 | 70 | 09SC830 |    | 38 |    |    |
| 09SB814 |    | 28 |    | 45* | 09SC018 |    | 30 |    |     | 09SB222 |    | 22 |    |    |         |    |    |    |    |
| 09SA215 | 15 | 12 | 28 | 45  | 09SC218 |    | 32 |    |     | 09SB422 |    | 24 |    |    |         |    |    |    |    |
| 09SA415 |    | 14 |    |     | 09SC518 |    | 35 |    |     | 09SB522 |    | 25 |    |    |         |    |    |    |    |







3/4" x 7/16"

Versione (\*) / Type (\*) / Typ (\*) / Tipo (\*)

12B-1 19,05 x 11,68 mm

DIN 8187 ISO/R606

| CATENA            | CHAIN          | KETTE         | CHAÎNE             | CADENA        | ISO mm |
|-------------------|----------------|---------------|--------------------|---------------|--------|
| Passo             | Pitch          | Teilung       | Pas                | Paso          | 19,05  |
| Larghezza interna | Internal width | Innere Breite | Largeur interieure | Ancho interno | 11,68  |
| Rullo ø           | Roller ø       | Rollen ø      | ø du rouleau       | Rodillo ø     | 12,07  |

| PIGNONE                     | SPROCKETS                  | KETTENRÄDER               | PIGNONS                         | PIÑONES                     |                     |
|-----------------------------|----------------------------|---------------------------|---------------------------------|-----------------------------|---------------------|
| Raggio dente r              | Tooth radius r             | Radius r                  | Rayon de denture r              | Radio diente r              | r 19,0              |
| Larghezza raggio C          | Radius width C             | Breite C                  | Largeur de rayon C              | Ancho radio C               | C 2,0               |
| Largh. Dente h <sub>1</sub> | Tooth width h <sub>1</sub> | Zahnbreite h <sub>1</sub> | Larg. de denture h <sub>1</sub> | Ancho diente h <sub>1</sub> | h <sub>1</sub> 11,1 |

b-T-M pag. / page 19

Materiale C45E  
UNI EN 10083-1

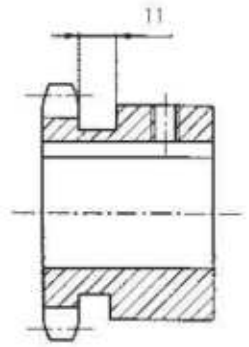
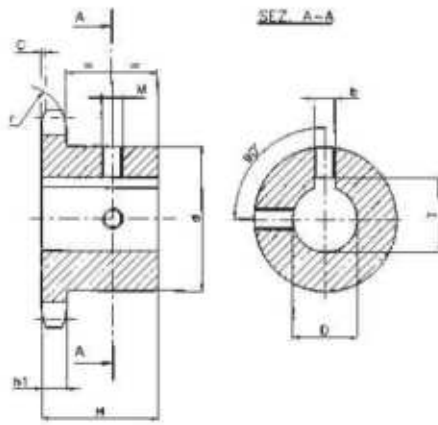
Material C45E  
UNI EN 10083-1

Werkstoff C45E  
UNI EN 10083-1

Matière C45E  
UNI EN 10083-1

Material C45E  
UNI EN 10083-1

| Cod.    | Z  | D  | H  | d   | Cod.    | Z  | D  | H  | d  | Cod.    | Z  | D  | H  | d  | Cod.    | Z  | D  | H  | d  |
|---------|----|----|----|-----|---------|----|----|----|----|---------|----|----|----|----|---------|----|----|----|----|
| 11SA910 |    | 19 |    |     | 11SA915 |    | 19 |    |    | 11SD019 |    | 40 |    |    | 11SD023 |    | 40 |    |    |
| 11SB010 |    | 20 |    |     | 11SB015 |    | 20 |    |    | 11SD219 |    | 42 |    |    | 11SD223 |    | 42 |    |    |
| 11SB410 |    | 24 |    | 42  | 11SB215 |    | 22 |    |    | 11SD519 | 19 | 45 | 35 | 80 | 11SD523 | 23 | 45 | 40 | 90 |
| 11SB510 | 10 | 25 | 30 |     | 11SB415 |    | 24 |    |    | 11SD819 |    | 48 |    |    | 11SD823 |    | 48 |    |    |
| 11SB810 |    | 28 |    | 45  | 11SB515 |    | 25 |    |    | 11SE019 |    | 50 |    |    | 11SE023 |    | 50 |    |    |
| 11SC010 |    | 30 |    | 47* | 11SB815 | 15 | 28 | 35 | 70 | 11SB520 |    | 25 |    |    | 11SB524 |    | 25 |    |    |
| 11SC210 |    | 32 |    | 49* | 11SC015 |    | 30 |    |    | 11SB820 |    | 28 |    |    | 11SB824 |    | 28 |    |    |
| 11SA911 |    | 19 |    |     | 11SC215 |    | 32 |    |    | 11SC020 |    | 30 |    |    | 11SC024 |    | 30 |    |    |
| 11SB011 |    | 20 |    |     | 11SC515 |    | 35 |    |    | 11SC220 |    | 32 |    |    | 11SC224 |    | 32 |    |    |
| 11SB411 |    | 24 |    | 46  | 11SC815 |    | 38 |    |    | 11SC520 |    | 35 |    |    | 11SC524 |    | 35 |    |    |
| 11SB511 | 11 | 25 | 35 |     | 11SD015 |    | 40 |    |    | 11SC820 | 20 | 38 | 35 | 80 | 11SC824 | 24 | 38 | 40 | 90 |
| 11SB811 |    | 28 |    | 49  | 11SA916 |    | 19 |    |    | 11SD020 |    | 40 |    |    | 11SD024 |    | 40 |    |    |
| 11SC011 |    | 30 |    | 51  | 11SB016 |    | 20 |    |    | 11SD220 |    | 42 |    |    | 11SD224 |    | 42 |    |    |
| 11SC211 |    | 32 |    | 53* | 11SB216 |    | 22 |    |    | 11SD520 |    | 45 |    |    | 11SD524 |    | 45 |    |    |
| 11SA912 |    | 19 |    |     | 11SB416 |    | 24 |    |    | 11SD820 |    | 48 |    |    | 11SD824 |    | 48 |    |    |
| 11SB012 |    | 20 |    |     | 11SB516 |    | 25 |    |    | 11SE020 |    | 50 |    |    | 11SE024 |    | 50 |    |    |
| 11SB212 |    | 22 |    |     | 11SB816 | 16 | 28 | 35 | 75 | 11SB521 |    | 25 |    |    | 11SB525 |    | 25 |    |    |
| 11SB412 |    | 24 |    | 52  | 11SC016 |    | 30 |    |    | 11SB821 |    | 28 |    |    | 11SB825 |    | 28 |    |    |
| 11SB512 | 12 | 25 | 35 |     | 11SC216 |    | 32 |    |    | 11SC021 |    | 30 |    |    | 11SC025 |    | 30 |    |    |
| 11SB812 |    | 28 |    |     | 11SC516 |    | 35 |    |    | 11SC221 |    | 32 |    |    | 11SC225 |    | 32 |    |    |
| 11SC012 |    | 30 |    |     | 11SC816 |    | 38 |    |    | 11SC521 |    | 35 |    |    | 11SC525 |    | 35 |    |    |
| 11SC212 |    | 32 |    | 53  | 11SD016 |    | 40 |    |    | 11SC821 | 21 | 38 | 40 | 90 | 11SC825 | 25 | 38 | 40 | 90 |
| 11SC512 |    | 35 |    | 56  | 11SB517 |    | 25 |    |    | 11SD021 |    | 40 |    |    | 11SD025 |    | 40 |    |    |
| 11SA913 |    | 19 |    |     | 11SB817 |    | 28 |    |    | 11SD221 |    | 42 |    |    | 11SD225 |    | 42 |    |    |
| 11SB013 |    | 20 |    |     | 11SC017 |    | 30 |    |    | 11SD521 |    | 45 |    |    | 11SD525 |    | 45 |    |    |
| 11SB213 |    | 22 |    |     | 11SC217 | 17 | 32 | 35 | 80 | 11SD821 |    | 48 |    |    | 11SD825 |    | 48 |    |    |
| 11SB413 |    | 24 |    |     | 11SC517 |    | 35 |    |    | 11SE021 |    | 50 |    |    | 11SE025 |    | 50 |    |    |
| 11SB513 | 13 | 25 | 35 | 58  | 11SC817 |    | 38 |    |    | 11SB522 |    | 25 |    |    |         |    |    |    |    |
| 11SB813 |    | 28 |    |     | 11SD017 |    | 40 |    |    | 11SB822 |    | 28 |    |    |         |    |    |    |    |
| 11SC013 |    | 30 |    |     | 11SD217 |    | 42 |    |    | 11SC022 |    | 30 |    |    |         |    |    |    |    |
| 11SC213 |    | 32 |    |     | 11SB518 |    | 25 |    |    | 11SC222 |    | 32 |    |    |         |    |    |    |    |
| 11SC513 |    | 35 |    |     | 11SB818 |    | 28 |    |    | 11SC522 |    | 35 |    |    |         |    |    |    |    |
| 11SC813 |    | 38 |    |     | 11SC018 |    | 30 |    |    | 11SC822 | 22 | 38 | 40 | 90 |         |    |    |    |    |
| 11SA914 |    | 19 |    |     | 11SC218 | 18 | 32 | 35 | 80 | 11SD022 |    | 40 |    |    |         |    |    |    |    |
| 11SB014 |    | 20 |    |     | 11SC518 |    | 35 |    |    | 11SD222 |    | 42 |    |    |         |    |    |    |    |
| 11SB214 |    | 22 |    |     | 11SC818 |    | 38 |    |    | 11SD522 |    | 45 |    |    |         |    |    |    |    |
| 11SB414 |    | 24 |    |     | 11SD018 |    | 40 |    |    | 11SD822 |    | 48 |    |    |         |    |    |    |    |
| 11SB514 | 14 | 25 | 35 | 64  | 11SD218 |    | 42 |    |    | 11SE022 |    | 50 |    |    |         |    |    |    |    |
| 11SB814 |    | 28 |    |     | 11SB519 |    | 25 |    |    | 11SB523 |    | 25 |    |    |         |    |    |    |    |
| 11SC014 |    | 30 |    |     | 11SB819 |    | 28 |    |    | 11SB823 |    | 28 |    |    |         |    |    |    |    |
| 11SC214 |    | 32 |    |     | 11SC019 | 19 | 30 | 35 | 80 | 11SC023 |    | 30 |    |    |         |    |    |    |    |
| 11SC514 |    | 35 |    |     | 11SC219 |    | 32 |    |    | 11SC223 | 23 | 32 | 40 | 90 |         |    |    |    |    |
| 11SC814 |    | 38 |    |     | 11SC519 |    | 35 |    |    | 11SC523 |    | 35 |    |    |         |    |    |    |    |
| 11SD014 |    | 40 |    | 67  | 11SC819 |    | 38 |    |    | 11SC823 |    | 38 |    |    |         |    |    |    |    |



1" x 17,02 mm

Versione (\*) / Type (\*) / Typ (\*) / Tipo (\*)

16B-1 25,4 x 17,02 mm

DIN 8187 ISO/R606

| CATENA            | CHAIN          | KETTE         | CHAÎNE             | CADENA        | ISO mm |
|-------------------|----------------|---------------|--------------------|---------------|--------|
| Passo             | Pitch          | Teilung       | Pas                | Paso          | 25,40  |
| Larghezza interna | Internal width | Innere Breite | Largeur interieure | Ancho interno | 17,02  |
| Rullo ø           | Roller ø       | Rollen ø      | ø du rouleau       | Rodillo ø     | 15,88  |

| PIGNONE                     | SPROCKETS                  | KETTENRÄDER               | PIGNONS                         | PIÑONES                     |                     |
|-----------------------------|----------------------------|---------------------------|---------------------------------|-----------------------------|---------------------|
| Raggio dente r              | Tooth radius r             | Radius r                  | Rayon de denture r              | Radio diente r              | r 26,0              |
| Larghezza raggio C          | Radius width C             | Breite C                  | Largeur de rayon C              | Ancho radio C               | C 2,5               |
| Largh. Dente h <sub>1</sub> | Tooth width h <sub>1</sub> | Zahnbreite h <sub>1</sub> | Larg. de denture h <sub>1</sub> | Ancho diente h <sub>1</sub> | h <sub>1</sub> 16,2 |

b-T-M pag. / page 19

Materiale C45E  
UNI EN 10083-1

Material C45E  
UNI EN 10083-1

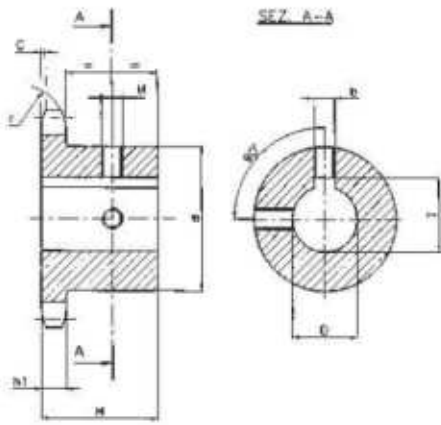
Werkstoff C45E  
UNI EN 10083-1

Matière C45E  
UNI EN 10083-1

Material C45E  
UNI EN 10083-1

| CODICE  | Z  | D  | H  | d   | CODICE  | Z  | D  | H  | d   | CODICE  | Z  | D  | H  | d   | CODICE  | Z  | D  | H  | d   |
|---------|----|----|----|-----|---------|----|----|----|-----|---------|----|----|----|-----|---------|----|----|----|-----|
| 12SB511 |    | 25 |    |     | 12SD015 |    | 40 |    |     | 12SD019 |    | 40 |    |     | 12SD023 |    | 40 |    |     |
| 12SB811 |    | 28 |    |     | 12SD215 |    | 42 |    |     | 12SD219 |    | 42 |    |     | 12SD223 |    | 42 |    |     |
| 12SC011 |    | 30 |    | 61  | 12SD515 | 15 | 45 | 40 | 92  | 12SD519 | 19 | 45 | 45 | 100 | 12SD523 | 23 | 45 | 50 | 110 |
| 12SC211 | 11 | 32 | 40 |     | 12SD815 |    | 48 |    |     | 12SD819 |    | 48 |    |     | 12SD823 |    | 48 |    |     |
| 12SC511 |    | 35 |    |     | 12SE015 |    | 50 |    |     | 12SE019 |    | 50 |    |     | 12SE023 |    | 50 |    |     |
| 12SC811 |    | 38 |    | 65  | 12SB516 |    | 25 |    |     | 12SB520 |    | 25 |    |     | 12SB524 |    | 25 |    |     |
| 12SD011 |    | 40 |    | 67  | 12SB816 |    | 28 |    |     | 12SB820 |    | 28 |    |     | 12SB824 |    | 28 |    |     |
| 12SD211 |    | 42 |    | 69* | 12SC016 |    | 30 |    |     | 12SC020 |    | 30 |    |     | 12SC024 |    | 30 |    |     |
| 12SB512 |    | 25 |    |     | 12SC216 |    | 32 |    |     | 12SC220 |    | 32 |    |     | 12SC224 |    | 32 |    |     |
| 12SB812 |    | 28 |    |     | 12SC516 |    | 35 |    |     | 12SC520 |    | 35 |    |     | 12SC524 |    | 35 |    |     |
| 12SC012 |    | 30 |    |     | 12SC816 | 16 | 38 | 45 | 100 | 12SC820 | 20 | 38 | 45 | 100 | 12SC824 | 24 | 38 | 50 | 110 |
| 12SC212 | 12 | 32 | 40 | 69  | 12SD016 |    | 40 |    |     | 12SD020 |    | 40 |    |     | 12SD024 |    | 40 |    |     |
| 12SC512 |    | 35 |    |     | 12SD216 |    | 42 |    |     | 12SD220 |    | 42 |    |     | 12SD224 |    | 42 |    |     |
| 12SC812 |    | 38 |    |     | 12SD516 |    | 45 |    |     | 12SD520 |    | 45 |    |     | 12SD524 |    | 45 |    |     |
| 12SD012 |    | 40 |    |     | 12SD816 |    | 48 |    |     | 12SD820 |    | 48 |    |     | 12SD824 |    | 48 |    |     |
| 12SD212 |    | 42 |    |     | 12SE016 |    | 50 |    |     | 12SE020 |    | 50 |    |     | 12SE024 |    | 50 |    |     |
| 12SB513 |    | 25 |    |     | 12SB517 |    | 25 |    |     | 12SB521 |    | 25 |    |     | 12SB525 |    | 25 |    |     |
| 12SB813 |    | 28 |    |     | 12SB817 |    | 28 |    |     | 12SB821 |    | 28 |    |     | 12SB825 |    | 28 |    |     |
| 12SC013 |    | 30 |    |     | 12SC017 |    | 30 |    |     | 12SC021 |    | 30 |    |     | 12SC025 |    | 30 |    |     |
| 12SC213 |    | 32 |    |     | 12SC217 |    | 32 |    |     | 12SC221 |    | 32 |    |     | 12SC225 |    | 32 |    |     |
| 12SC513 |    | 35 |    |     | 12SC517 |    | 35 |    |     | 12SC521 |    | 35 |    |     | 12SC525 |    | 35 |    |     |
| 12SC813 | 13 | 38 | 40 | 78  | 12SC817 | 17 | 38 | 45 | 100 | 12SC821 | 21 | 38 | 50 | 110 | 12SC825 | 25 | 38 | 50 | 110 |
| 12SD013 |    | 40 |    |     | 12SD017 |    | 40 |    |     | 12SD021 |    | 40 |    |     | 12SD025 |    | 40 |    |     |
| 12SD213 |    | 42 |    |     | 12SD217 |    | 42 |    |     | 12SD221 |    | 42 |    |     | 12SD225 |    | 42 |    |     |
| 12SD513 |    | 45 |    |     | 12SD517 |    | 45 |    |     | 12SD521 |    | 45 |    |     | 12SD525 |    | 45 |    |     |
| 12SD813 |    | 48 |    |     | 12SD817 |    | 48 |    |     | 12SD821 |    | 48 |    |     | 12SD825 |    | 48 |    |     |
| 12SE013 |    | 50 |    | 82  | 12SE017 |    | 50 |    |     | 12SE021 |    | 50 |    |     | 12SE025 |    | 50 |    |     |
| 12SB514 |    | 25 |    |     | 12SB518 |    | 25 |    |     | 12SB522 |    | 25 |    |     |         |    |    |    |     |
| 12SB814 |    | 28 |    |     | 12SB818 |    | 28 |    |     | 12SB822 |    | 28 |    |     |         |    |    |    |     |
| 12SC014 |    | 30 |    |     | 12SC018 |    | 30 |    |     | 12SC022 |    | 30 |    |     |         |    |    |    |     |
| 12SC214 |    | 32 |    |     | 12SC218 |    | 32 |    |     | 12SC222 |    | 32 |    |     |         |    |    |    |     |
| 12SC514 |    | 35 |    |     | 12SC518 |    | 35 |    |     | 12SC522 |    | 35 |    |     |         |    |    |    |     |
| 12SC814 | 14 | 38 | 40 | 84  | 12SC818 | 18 | 38 | 45 | 100 | 12SC822 | 22 | 38 | 50 | 110 |         |    |    |    |     |
| 12SD014 |    | 40 |    |     | 12SD018 |    | 40 |    |     | 12SD022 |    | 40 |    |     |         |    |    |    |     |
| 12SD214 |    | 42 |    |     | 12SD218 |    | 42 |    |     | 12SD222 |    | 42 |    |     |         |    |    |    |     |
| 12SD514 |    | 45 |    |     | 12SD518 |    | 45 |    |     | 12SD522 |    | 45 |    |     |         |    |    |    |     |
| 12SD814 |    | 48 |    |     | 12SD818 |    | 48 |    |     | 12SD822 |    | 48 |    |     |         |    |    |    |     |
| 12SE014 |    | 50 |    |     | 12SE018 |    | 50 |    |     | 12SE022 |    | 50 |    |     |         |    |    |    |     |
| 12SB515 |    | 25 |    |     | 12SB519 |    | 25 |    |     | 12SB523 |    | 25 |    |     |         |    |    |    |     |
| 12SB815 |    | 28 |    |     | 12SB819 |    | 28 |    |     | 12SB823 |    | 28 |    |     |         |    |    |    |     |
| 12SC015 |    | 30 |    |     | 12SC019 |    | 30 |    |     | 12SC023 |    | 30 |    |     |         |    |    |    |     |
| 12SC215 | 15 | 32 | 40 | 92  | 12SC219 | 19 | 32 | 45 | 100 | 12SC223 | 23 | 32 | 50 | 110 |         |    |    |    |     |
| 12SC515 |    | 35 |    |     | 12SC519 |    | 35 |    |     | 12SC523 |    | 35 |    |     |         |    |    |    |     |
| 12SC815 |    | 38 |    |     | 12SC819 |    | 38 |    |     | 12SC823 |    | 38 |    |     |         |    |    |    |     |





**1" 1/4 x 3/4"**

**20B-1 31,75 x 19,56 mm**

**DIN 8187 ISO/R606**

| CATENA            | CHAIN          | KETTE         | CHAÎNE             | CADENA        | ISO mm       |
|-------------------|----------------|---------------|--------------------|---------------|--------------|
| Passo             | Pitch          | Teilung       | Pas                | Paso          | <b>31,75</b> |
| Larghezza interna | Internal width | Innere Breite | Largeur interieure | Ancho interno | <b>19,56</b> |
| Rullo ø           | Roller ø       | Rollen ø      | ø du rouleau       | Rodillo ø     | <b>19,05</b> |

| PIGNONE                     | SPROCKETS                  | KETTENRÄDER               | PIGNONS                         | PIÑONES                     |                           |
|-----------------------------|----------------------------|---------------------------|---------------------------------|-----------------------------|---------------------------|
| Raggio dente r              | Tooth radius r             | Radius r                  | Rayon de denture r              | Radio diente r              | <b>r 32,0</b>             |
| Larghezza raggio C          | Radius width C             | Breite C                  | Largeur de rayon C              | Ancho radio C               | <b>C 3,5</b>              |
| Largh. Dente h <sub>1</sub> | Tooth width h <sub>1</sub> | Zahnbreite h <sub>1</sub> | Larg. de denture h <sub>1</sub> | Ancho diente h <sub>1</sub> | <b>h<sub>1</sub> 18,5</b> |

**b-T-M pag. / page 19**

**Materiale C45E  
UNI EN 10083-1**

**Material C45E  
UNI EN 10083-1**

**Werkstoff C45E  
UNI EN 10083-1**

**Matière C45E  
UNI EN 10083-1**

**Material C45E  
UNI EN 10083-1**

| CODICE  | Z  | D  | H  | d  |
|---------|----|----|----|----|
| 13SB509 |    | 25 |    |    |
| 13SC009 |    | 30 |    |    |
| 13SC209 | 09 | 32 | 40 | 63 |
| 13SC509 |    | 35 |    |    |
| 13SC809 |    | 38 |    |    |
| 13SB510 |    | 25 |    |    |
| 13SC010 |    | 30 |    |    |
| 13SC210 | 10 | 32 | 40 | 70 |
| 13SC510 |    | 35 |    |    |
| 13SC810 |    | 38 |    |    |
| 13SB511 |    | 25 |    |    |
| 13SB811 |    | 28 |    |    |
| 13SC011 |    | 30 |    |    |
| 13SC211 |    | 32 |    |    |
| 13SC511 |    | 35 |    | 77 |
| 13SC811 | 11 | 38 | 45 |    |
| 13SD011 |    | 40 |    |    |
| 13SD211 |    | 42 |    |    |
| 13SD511 |    | 45 |    |    |
| 13SE011 |    | 50 |    | 82 |
| 13SF011 |    | 60 |    | 93 |
| 13SB512 |    | 25 |    |    |
| 13SB812 |    | 28 |    |    |
| 13SC012 |    | 30 |    |    |
| 13SC212 |    | 32 |    |    |
| 13SC512 |    | 35 |    |    |
| 13SC812 | 12 | 38 | 45 | 88 |
| 13SD012 |    | 40 |    |    |
| 13SD212 |    | 42 |    |    |
| 13SD512 |    | 45 |    |    |
| 13SD812 |    | 48 |    |    |
| 13SE012 |    | 50 |    |    |
| 13SF012 |    | 60 |    | 93 |
| 13SB513 |    | 25 |    |    |
| 13SB813 | 13 | 28 | 45 | 98 |
| 13SC013 |    | 30 |    |    |

| CODICE  | Z  | D  | H  | d   |
|---------|----|----|----|-----|
| 13SC213 |    | 32 |    |     |
| 13SC513 |    | 35 |    |     |
| 13SC813 |    | 38 |    |     |
| 13SD013 |    | 40 |    |     |
| 13SD213 | 13 | 42 | 45 | 98  |
| 13SD513 |    | 45 |    |     |
| 13SD813 |    | 48 |    |     |
| 13SE013 |    | 50 |    |     |
| 13SF013 |    | 60 |    |     |
| 13SC214 |    | 32 |    |     |
| 13SC514 |    | 35 |    |     |
| 13SC814 |    | 38 |    |     |
| 13SD014 |    | 40 |    |     |
| 13SD214 | 14 | 42 | 45 | 108 |
| 13SD514 |    | 45 |    |     |
| 13SC814 |    | 48 |    |     |
| 13SE014 |    | 50 |    |     |
| 13SF014 |    | 60 |    |     |
| 13SC215 |    | 32 |    |     |
| 13SC515 |    | 35 |    |     |
| 13SC815 |    | 38 |    |     |
| 13SD015 |    | 40 |    |     |
| 13SD215 | 15 | 42 | 45 | 118 |
| 13SD515 |    | 45 |    |     |
| 13SD815 |    | 48 |    |     |
| 13SE015 |    | 50 |    |     |
| 13SF015 |    | 60 |    |     |
| 13SC816 |    | 38 |    |     |
| 13SD016 |    | 40 |    |     |
| 13SD216 |    | 42 |    |     |
| 13SD516 |    | 45 |    |     |
| 13SD816 | 16 | 48 | 50 | 120 |
| 13SE016 |    | 50 |    |     |
| 13SF016 |    | 60 |    |     |
| 13SF516 |    | 65 |    |     |
| 13SG016 |    | 70 |    |     |

| CODICE  | Z  | D  | H  | d   |
|---------|----|----|----|-----|
| 13SC817 |    | 38 |    |     |
| 13SD017 |    | 40 |    |     |
| 13SD217 |    | 42 |    |     |
| 13SD517 |    | 45 |    |     |
| 13SD817 | 17 | 48 | 50 | 120 |
| 13SE017 |    | 50 |    |     |
| 13SF017 |    | 60 |    |     |
| 13SF517 |    | 65 |    |     |
| 13SG017 |    | 70 |    |     |
| 13SC818 |    | 38 |    |     |
| 13SD018 |    | 40 |    |     |
| 13SD218 |    | 42 |    |     |
| 13SD518 |    | 45 |    |     |
| 13SD818 | 18 | 48 | 50 | 120 |
| 13SE018 |    | 50 |    |     |
| 13SF018 |    | 60 |    |     |
| 13SF518 |    | 65 |    |     |
| 13SG018 |    | 70 |    |     |
| 13SC819 |    | 38 |    |     |
| 13SD019 |    | 40 |    |     |
| 13SD219 |    | 42 |    |     |
| 13SD519 |    | 45 |    |     |
| 13SD819 | 19 | 48 | 50 | 120 |
| 13SE019 |    | 50 |    |     |
| 13SF019 |    | 60 |    |     |
| 13SF519 |    | 65 |    |     |
| 13SG019 |    | 70 |    |     |
| 13SC820 |    | 38 |    |     |
| 13SD020 |    | 40 |    |     |
| 13SD220 |    | 42 |    |     |
| 13SD520 |    | 45 |    |     |
| 13SD820 | 20 | 48 | 50 | 120 |
| 13SE020 |    | 50 |    |     |
| 13SF020 |    | 60 |    |     |
| 13SF520 |    | 65 |    |     |
| 13SG020 |    | 70 |    |     |



## **PIGNONI E CORONE**

Sprockets and plate wheels

Kettenräder

Pignons et disques

Piñones y discos



## Pignoni / Sprockets Kettenräder mit Nabe / Pignons / Piñones

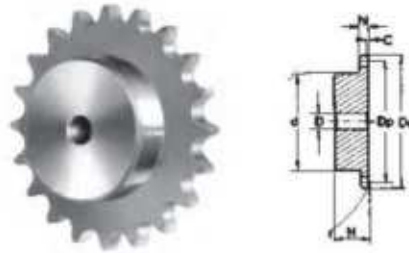
Pignoni per catene semplici,  
a rulli secondo: DIN 8187 -  
ISO/R 606

Sprockets for simplex, chain  
to: DIN 8187 - ISO/R 606

Kettenräder mit einseitiger  
Nabe für Simplex-Rollenkette  
nach: DIN 8187 - ISO/R 606

Pignons avec moyeu déporté  
pour chaînes simples, à  
rouleaux suivant les normes:  
DIN 8187 - ISO/R 606

Piñones para cadena simple,  
de rodillos según las normas:  
DIN 8187 - ISO/R 606



**5 x 2,5 mm**

**03 - 1**

| CATENA              | CHAIN                | KETTE                | CHAÎNE                   | CADENA                | ISO mm     |
|---------------------|----------------------|----------------------|--------------------------|-----------------------|------------|
| Passo               | Pitch                | Teilung              | Pas                      | Paso                  | <b>5,0</b> |
| Larghezza interna   | Internal width       | Innere Breite        | Largeur interieure       | Ancho interno         | <b>2,5</b> |
| Rullo $\varnothing$ | Roller $\varnothing$ | Rollen $\varnothing$ | $\varnothing$ du rouleau | Rodillo $\varnothing$ | <b>3,2</b> |

| PIGNONE            | SPROCKETS         | KETTENRÄDER      | PIGNONS                | PIÑONES            | ISO mm                             |
|--------------------|-------------------|------------------|------------------------|--------------------|------------------------------------|
| Raggio dente r     | Tooth radius r    | Radius r         | Rayon de denture r     | Radio diente r     | <b>r</b> <b>5,0</b>                |
| Larghezza raggio C | Radius width C    | Breite C         | Largeur de rayon C     | Ancho radio C      | <b>C</b> <b>0,6</b>                |
| Largh. dente $h_1$ | Tooth width $h_1$ | Zahnbreite $h_1$ | Larg. de denture $h_1$ | Ancho diente $h_1$ | <b><math>h_1</math></b> <b>2,3</b> |
| Largh. dente L     | Tooth width L     | Zahnbreite L     | Larg. de denture L     | Ancho diente L     | <b>L</b> -                         |
| Largh. dente $h_2$ | Tooth width $h_2$ | Zahnbreite $h_2$ | Larg. de denture $h_2$ | Ancho diente $h_2$ | <b><math>h_2</math></b> -          |
| Largh. dente $h_3$ | Tooth width $h_3$ | Zahnbreite $h_3$ | Larg. de denture $h_3$ | Ancho diente $h_3$ | <b><math>h_3</math></b> -          |
| Altezza totale H   | Full height H     | Gesamt Höhe H    | Hauteur totale H       | Altura total H     | <b>H</b> -                         |

**Materiale C45E**  
**UNI EN 10083-1**

**Material C45E**  
**UNI EN 10083-1**

**Werkstoff C45E**  
**UNI EN 10083-1**

**Matière C45E**  
**UNI EN 10083-1**

**Material C45E**  
**UNI EN 10083-1**

| Z  | D <sub>c</sub> | D <sub>p</sub> | Simplex  |    |   |    |
|----|----------------|----------------|----------|----|---|----|
|    |                |                | cod.     | d  | D | H  |
| 8  | 15,2           | 13,06          | PS 01008 | 7  | 4 | 10 |
| 9  | 16,8           | 14,62          | PS 01009 | 8  | 5 | 10 |
| 10 | 18,3           | 16,18          | PS 01010 | 9  | 5 | 10 |
| 11 | 19,9           | 17,75          | PS 01011 | 11 | 6 | 10 |
| 12 | 21,5           | 19,32          | PS 01012 | 12 | 6 | 10 |
| 13 | 23,0           | 20,89          | PS 01013 | 14 | 6 | 10 |
| 14 | 24,6           | 22,47          | PS 01014 | 15 | 6 | 10 |
| 15 | 26,2           | 24,04          | PS 01015 | 16 | 6 | 10 |
| 16 | 27,8           | 25,63          | PS 01016 | 18 | 8 | 13 |
| 17 | 29,4           | 27,20          | PS 01017 | 18 | 8 | 13 |
| 18 | 30,9           | 28,79          | PS 01018 | 18 | 8 | 13 |
| 19 | 32,5           | 30,38          | PS 01019 | 18 | 8 | 13 |
| 20 | 34,1           | 31,96          | PS 01020 | 18 | 8 | 13 |
| 21 | 35,7           | 33,54          | PS 01021 | 20 | 8 | 13 |
| 22 | 37,3           | 35,13          | PS 01022 | 20 | 8 | 13 |
| 23 | 38,9           | 36,72          | PS 01023 | 20 | 8 | 13 |
| 24 | 40,5           | 38,30          | PS 01024 | 20 | 8 | 13 |
| 25 | 42,0           | 39,89          | PS 01025 | 20 | 8 | 13 |
| 26 | 43,6           | 41,48          | PS 01026 | 25 | 8 | 15 |
| 27 | 45,2           | 43,07          | PS 01027 | 25 | 8 | 15 |
| 28 | 46,8           | 44,65          | PS 01028 | 25 | 8 | 15 |
| 29 | 48,4           | 46,25          | PS 01029 | 25 | 8 | 15 |
| 30 | 50,0           | 47,83          | PS 01030 | 25 | 8 | 15 |
| 31 | 51,6           | 49,42          | PS 01031 | 30 | 8 | 15 |
| 32 | 53,2           | 51,01          | PS 01032 | 30 | 8 | 15 |
| 33 | 54,8           | 52,60          | PS 01033 | 30 | 8 | 15 |
| 34 | 56,3           | 54,19          | PS 01034 | 30 | 8 | 15 |
| 35 | 57,9           | 55,78          | PS 01035 | 30 | 8 | 15 |
| 36 | 59,5           | 57,37          | PS 01036 | 30 | 8 | 15 |
| 37 | 61,1           | 58,96          | PS 01037 | 30 | 8 | 15 |
| 38 | 62,7           | 60,54          | PS 01038 | 30 | 8 | 15 |
| 39 | 64,3           | 62,13          | PS 01039 | 30 | 8 | 15 |
| 40 | 65,9           | 63,73          | PS 01040 | 30 | 8 | 15 |

# Pignoni / Sprockets

## Kettenräder mit Nabe / Pignons / Piñones

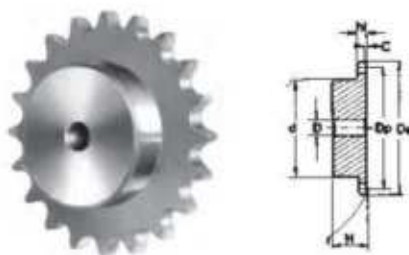
Pignoni per catene semplici, a rulli secondo: DIN 8187 - ISO/R 606

Sprockets for simplex, chain to: DIN 8187 - ISO/R 606

Kettenräder mit einseitiger Nabe für Simplex-Rollenkette nach: DIN 8187 - ISO/R 606

Pignons avec moyeu déporté pour chaînes simples, à rouleaux suivant les normes: DIN 8187 - ISO/R 606

Piñones para cadena simple, de rodillos según las normas: DIN 8187 - ISO/R 606



6 x 2,8 mm

04 - 1

| CATENA            | CHAIN          | KETTE         | CHAÎNE             | CADENA        | ISO mm |
|-------------------|----------------|---------------|--------------------|---------------|--------|
| Passo             | Pitch          | Teilung       | Pas                | Paso          | 6,0    |
| Larghezza interna | Internal width | Innere Breite | Largeur interieure | Ancho interno | 2,8    |
| Rullo ø           | Roller ø       | Rollen ø      | ø du rouleau       | Rodillo ø     | 4,0    |

| PIGNONE                     | SPROCKETS                  | KETTENRÄDER               | PIGNONS                         | PIÑONES                     | ISO mm             |
|-----------------------------|----------------------------|---------------------------|---------------------------------|-----------------------------|--------------------|
| Raggio dente r              | Tooth radius r             | Radius r                  | Rayon de denture r              | Radio diente r              | r 6,0              |
| Larghezza raggio C          | Radius width C             | Breite C                  | Largeur de rayon C              | Ancho radio C               | C 0,7              |
| Largh. dente h <sub>1</sub> | Tooth width h <sub>1</sub> | Zahnbreite h <sub>1</sub> | Larg. de denture h <sub>1</sub> | Ancho diente h <sub>1</sub> | h <sub>1</sub> 2,6 |
| Largh. dente L              | Tooth width L              | Zahnbreite L              | Larg. de denture L              | Ancho diente L              | L -                |
| Largh. dente h <sub>2</sub> | Tooth width h <sub>2</sub> | Zahnbreite h <sub>2</sub> | Larg. de denture h <sub>2</sub> | Ancho diente h <sub>2</sub> | h <sub>2</sub> -   |
| Largh. dente h <sub>3</sub> | Tooth width h <sub>3</sub> | Zahnbreite h <sub>3</sub> | Larg. de denture h <sub>3</sub> | Ancho diente h <sub>3</sub> | h <sub>3</sub> -   |
| Altezza totale H            | Full height H              | Gesamt Höhe H             | Hauteur totale H                | Altura total H              | H -                |

**Materiale C45E**  
**UNI EN 10083-1**

\*Tipi costruiti con mozzo saldato: materiale Fe

**Material C45E**  
**UNI EN 10083-1**

\*With welded hub: material Fe

**Werkstoff C45E**  
**UNI EN 10083-1**

\*Typen mit eingeschweisster Nabe: Werkstoff Fe

**Matière C45E**  
**UNI EN 10083-1**

\*Tipos avec moyeu soudé: matière Fe

**Material C45E**  
**UNI EN 10083-1**

\*Tipos con nucleo soldado: material Fe

| Z  | D <sub>e</sub> | D <sub>p</sub> | Simplex  |       |    |    |
|----|----------------|----------------|----------|-------|----|----|
|    |                |                | cod.     | d     | D  | H  |
| 8  | 18,0           | 15,67          | PS 02008 | 9,8   | 5  | 10 |
| 9  | 19,9           | 17,54          | PS 02009 | 11,5  | 5  | 10 |
| 10 | 21,7           | 19,42          | PS 02010 | 13,0  | 6  | 10 |
| 11 | 23,6           | 21,30          | PS 02011 | 14,0  | 6  | 10 |
| 12 | 25,4           | 23,18          | PS 02012 | 16,0  | 6  | 10 |
| 13 | 27,3           | 25,05          | PS 02013 | 18,0  | 8  | 10 |
| 14 | 29,2           | 26,96          | PS 02014 | 20,0  | 8  | 10 |
| 15 | 31,1           | 28,86          | PS 02015 | 20,0  | 8  | 10 |
| 16 | 33,0           | 30,76          | PS 02016 | 20,0  | 8  | 13 |
| 17 | 35,0           | 32,65          | PS 02017 | 20,0  | 8  | 13 |
| 18 | 36,9           | 34,55          | PS 02018 | 20,0  | 8  | 13 |
| 19 | 38,8           | 36,44          | PS 02019 | 20,0  | 8  | 13 |
| 20 | 40,7           | 38,34          | PS 02020 | 20,0  | 8  | 13 |
| 21 | 42,6           | 40,25          | PS 02021 | 25,0  | 8  | 13 |
| 22 | 44,5           | 42,16          | PS 02022 | 25,0  | 8  | 13 |
| 23 | 46,4           | 44,06          | PS 02023 | 25,0  | 8  | 13 |
| 24 | 48,3           | 45,96          | PS 02024 | 25,0  | 8  | 13 |
| 25 | 50,2           | 47,87          | PS 02025 | 25,0  | 8  | 13 |
| 26 | 52,1           | 49,77          | PS 02026 | 30,0  | 8  | 15 |
| 27 | 54,0           | 51,67          | PS 02027 | 30,0  | 8  | 15 |
| 28 | 55,9           | 53,58          | PS 02028 | 30,0  | 8  | 15 |
| 29 | 57,8           | 55,50          | PS 02029 | 30,0  | 8  | 15 |
| 30 | 59,8           | 57,42          | PS 02030 | 30,0  | 8  | 15 |
| 31 | 61,7           | 59,31          | PS 02031 | 30,0  | 8  | 15 |
| 32 | 63,6           | 61,21          | PS 02032 | 30,0  | 8  | 15 |
| 33 | 65,5           | 63,11          | PS 02033 | 30,0  | 8  | 15 |
| 34 | 67,4           | 65,02          | PS 02034 | 30,0  | 8  | 15 |
| 35 | 69,3           | 66,93          | PS 02035 | 30,0  | 8  | 15 |
| 36 | 71,2           | 68,84          | PS 02036 | 30,0  | 8  | 15 |
| 37 | 73,1           | 70,75          | PS 02037 | 30,0  | 8  | 15 |
| 38 | 75,0           | 72,66          | PS 02038 | 30,0  | 8  | 15 |
| 39 | 76,9           | 74,56          | PS 02039 | 30,0  | 8  | 15 |
| 40 | 78,9           | 76,47          | PS 02040 | 30,0  | 8  | 15 |
| 45 | 88,5           | 86,01          | PS 02045 | 40,0  | 10 | 18 |
| 50 | 98,0           | 95,55          | PS 02050 | 50,0  | 12 | 20 |
| 57 | 111,4          | 108,93         | PS 02057 | 50,0  | 12 | 20 |
| 60 | 117,1          | 114,62         | PS 02060 | 62,0* | 12 | 20 |
| 76 | 147,6          | 145,19         | PS 02076 | 80,0* | 16 | 34 |



## Pignoni / Sprockets Kettenräder mit Nabe / Pignons / Piñones

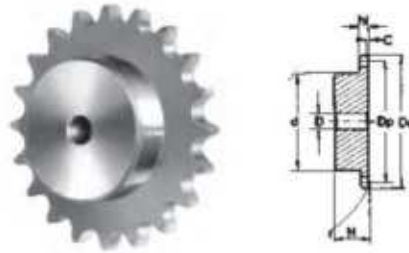
Pignoni per catene semplici, a rulli secondo: DIN 8188 - ISO/R 606 - ANSI B 29,1

Sprockets for simplex chain to: DIN 8188 - ISO/R 606 - ANSI B 29,1

Kettenräder mit einseitiger Nabe für Simplex-Rollenkette nach: DIN 8188 - ISO/R 606 - ANSI B 29,1

Pignons avec moyeu déporté pour chaînes simples à rouleaux suivant les normes: DIN 8188 - ISO/R 606 - ANSI B 29,1

Piñones para cadena simple de rodillos según las normas: DIN 8188 - ISO/R 606 - ANSI B 29,1



**1/4" x 1/8"**

**ASA 25 - 1 6,32 x 3,18 mm**

| CATENA             | CHAIN             | KETTE            | CHAÎNE                 | CADENA             | ASA 25 mm |
|--------------------|-------------------|------------------|------------------------|--------------------|-----------|
| Passo              | Pitch             | Teilung          | Pas                    | Paso               | 6,35      |
| Larghezza interna  | Internal width    | Innere Breite    | Largeur interieure     | Ancho interno      | 3,18      |
| Rullo $\phi$       | Roller $\phi$     | Rollen $\phi$    | $\phi$ du rouleau      | Rodillo $\phi$     | 3,30      |
| PIGNONE            | SPROCKETS         | KETTENRÄDER      | PIGNONS                | PIÑONES            | ASA 25 mm |
| Raggio dente r     | Tooth radius r    | Radius r         | Rayon de denture r     | Radio diente r     | r 6,4     |
| Larghezza raggio C | Radius width C    | Breite C         | Largeur de rayon C     | Ancho radio C      | C 0,7     |
| Largh. dente $h_1$ | Tooth width $h_1$ | Zahnbreite $h_1$ | Larg. de denture $h_1$ | Ancho diente $h_1$ | $h_1$ 2,9 |
| Largh. dente L     | Tooth width L     | Zahnbreite L     | Larg. de denture L     | Ancho diente L     | L -       |
| Largh. dente $h_2$ | Tooth width $h_2$ | Zahnbreite $h_2$ | Larg. de denture $h_2$ | Ancho diente $h_2$ | $h_2$ -   |
| Largh. dente $h_3$ | Tooth width $h_3$ | Zahnbreite $h_3$ | Larg. de denture $h_3$ | Ancho diente $h_3$ | $h_3$ -   |
| Altezza totale H   | Full height H     | Gesamt Höhe H    | Hauteur totale H       | Altura total H     | H -       |

**Materiale C45E  
UNI EN 10083-1**

**Material C45E  
UNI EN 10083-1**

**Werkstoff C45E  
UNI EN 10083-1**

**Matière C45E  
UNI EN 10083-1**

**Material C45E  
UNI EN 10083-1**

| Z  | D <sub>e</sub> | D <sub>p</sub> | Simplex  |      |   |    |
|----|----------------|----------------|----------|------|---|----|
|    |                |                | cod.     | d    | D | H  |
| 8  | 19,4           | 16,58          | PS 03008 | 10,0 | 6 | 12 |
| 9  | 21,4           | 18,56          | PS 03009 | 11,5 | 6 | 12 |
| 10 | 23,3           | 20,55          | PS 03010 | 13,0 | 6 | 12 |
| 11 | 25,3           | 22,54          | PS 03011 | 15,0 | 8 | 13 |
| 12 | 27,3           | 24,53          | PS 03012 | 17,0 | 8 | 13 |
| 13 | 29,3           | 26,53          | PS 03013 | 17,0 | 8 | 13 |
| 14 | 31,3           | 28,53          | PS 03014 | 17,0 | 8 | 13 |
| 15 | 33,3           | 30,55          | PS 03015 | 20,0 | 8 | 13 |
| 16 | 35,3           | 32,55          | PS 03016 | 22,0 | 8 | 14 |
| 17 | 37,3           | 34,55          | PS 03017 | 22,0 | 8 | 14 |
| 18 | 39,4           | 36,56          | PS 03018 | 25,0 | 8 | 14 |
| 19 | 41,4           | 38,58          | PS 03019 | 25,0 | 8 | 14 |
| 20 | 43,4           | 40,58          | PS 03020 | 25,0 | 8 | 14 |
| 21 | 45,4           | 42,60          | PS 03021 | 30,0 | 8 | 14 |
| 22 | 47,4           | 44,62          | PS 03022 | 30,0 | 8 | 14 |
| 23 | 49,4           | 46,63          | PS 03023 | 30,0 | 8 | 14 |
| 24 | 51,4           | 48,64          | PS 03024 | 30,0 | 8 | 14 |
| 25 | 53,3           | 50,66          | PS 03025 | 30,0 | 8 | 14 |
| 26 | 55,5           | 52,67          | PS 03026 | 30,0 | 8 | 16 |
| 27 | 57,5           | 54,69          | PS 03027 | 30,0 | 8 | 16 |
| 28 | 59,5           | 56,71          | PS 03028 | 30,0 | 8 | 16 |
| 29 | 61,5           | 58,73          | PS 03029 | 30,0 | 8 | 16 |
| 30 | 63,6           | 60,75          | PS 03030 | 30,0 | 8 | 16 |
| 31 | 65,6           | 62,76          | PS 03031 | 30,0 | 8 | 16 |
| 32 | 67,6           | 64,78          | PS 03032 | 30,0 | 8 | 16 |
| 33 | 69,6           | 66,80          | PS 03033 | 30,0 | 8 | 16 |
| 34 | 71,6           | 68,82          | PS 03034 | 30,0 | 8 | 16 |
| 35 | 73,6           | 70,84          | PS 03035 | 30,0 | 8 | 16 |
| 36 | 75,6           | 72,85          | PS 03036 | 30,0 | 8 | 16 |
| 37 | 77,7           | 74,87          | PS 03037 | 30,0 | 8 | 16 |
| 38 | 79,7           | 76,89          | PS 03038 | 30,0 | 8 | 16 |
| 39 | 81,7           | 78,91          | PS 03039 | 30,0 | 8 | 16 |
| 40 | 83,7           | 80,93          | PS 03040 | 30,0 | 8 | 16 |

# Pignoni / Sprockets

## Kettenräder mit Nabe / Pignons / Piñones

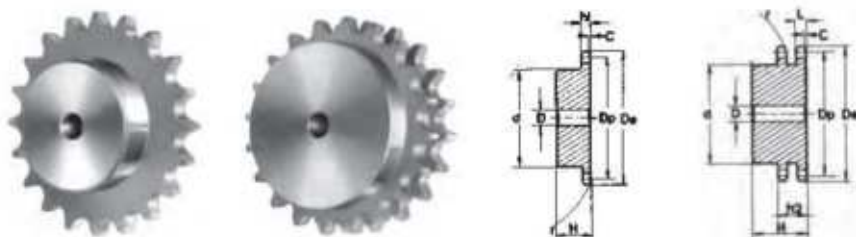
Pignoni per catene semplici e doppie a rulli secondo: DIN 8187 - ISO/R 606

Sprockets for simplex and duplex chain to: DIN 8187 - ISO/R 606

Kettenräder mit einseitiger Nabe für Simplex-Rollenkette Duplex-Rollenkette nach: DIN 8187 - ISO/R 606

Pignons avec moyeu déporté pour chaînes simples et doubles à rouleaux suivant les normes: DIN 8187 - ISO/R 606

Piñones para cadena simple y doble de rodillos según las normas: DIN 8187 - ISO/R 606



8 x 3,0 mm

05B - 1-2

| CATENA            | CHAIN          | KETTE         | CHAÎNE             | CADENA        | ISO mm |
|-------------------|----------------|---------------|--------------------|---------------|--------|
| Passo             | Pitch          | Teilung       | Pas                | Paso          | 8,0    |
| Larghezza interna | Internal width | Innere Breite | Largeur interieure | Ancho interno | 3,0    |
| Rullo ø           | Roller ø       | Rollen ø      | ø du rouleau       | Rodillo ø     | 5,0    |

| PIGNONE                     | SPROCKETS                  | KETTENRÄDER               | PIGNONS                         | PIÑONES                     | ISO mm             |
|-----------------------------|----------------------------|---------------------------|---------------------------------|-----------------------------|--------------------|
| Raggio dente r              | Tooth radius r             | Radius r                  | Rayon de denture r              | Radio diente r              | r 8,0              |
| Larghezza raggio C          | Radius width C             | Breite C                  | Largeur de rayon C              | Ancho radio C               | C 1,0              |
| Largh. dente h <sub>1</sub> | Tooth width h <sub>1</sub> | Zahnbreite h <sub>1</sub> | Larg. de denture h <sub>1</sub> | Ancho diente h <sub>1</sub> | h <sub>1</sub> 2,8 |
| Largh. dente L              | Tooth width L              | Zahnbreite L              | Larg. de denture L              | Ancho diente L              | L 2,7              |
| Largh. dente h <sub>2</sub> | Tooth width h <sub>2</sub> | Zahnbreite h <sub>2</sub> | Larg. de denture h <sub>2</sub> | Ancho diente h <sub>2</sub> | h <sub>2</sub> 8,3 |
| Largh. dente h <sub>3</sub> | Tooth width h <sub>3</sub> | Zahnbreite h <sub>3</sub> | Larg. de denture h <sub>3</sub> | Ancho diente h <sub>3</sub> | h <sub>3</sub> -   |
| Altezza totale H            | Full height H              | Gesamt Höhe H             | Hauteur totale H                | Altura total H              | H -                |

**Materiale C45E**  
**UNI EN 10083-1**

\*Tipi costruiti con mozzo saldato: materiale Fe

**Material C45E**  
**UNI EN 10083-1**

\*With welded hub: material Fe

**Werkstoff C45E**  
**UNI EN 10083-1**

\*Typen mit eingeschweisster Nabe: Werkstoff Fe

**Matière C45E**  
**UNI EN 10083-1**

\*Types avec moyeu soudé: matière Fe

**Material C45E**  
**UNI EN 10083-1**

\*Tipos con nucleo soldado: material Fe

| Z  | D <sub>e</sub> | D <sub>p</sub> | Simplex  |     |    |    | Duplex   |    |    |    |
|----|----------------|----------------|----------|-----|----|----|----------|----|----|----|
|    |                |                | cod.     | d   | D  | H  | cod.     | d  | D  | H  |
| 8  | 24,0           | 20,90          | PS 04008 | 13  | 6  | 12 | PD 04008 | 12 | 8  | 18 |
| 9  | 26,6           | 23,39          | PS 04009 | 15  | 6  | 12 | PD 04009 | 15 | 8  | 18 |
| 10 | 29,2           | 25,89          | PS 04010 | 17  | 8  | 12 | PD 04010 | 17 | 8  | 18 |
| 11 | 31,7           | 28,39          | PS 04011 | 18  | 8  | 13 | PD 04011 | 19 | 10 | 18 |
| 12 | 34,2           | 30,91          | PS 04012 | 20  | 8  | 13 | PD 04012 | 21 | 10 | 18 |
| 13 | 36,7           | 33,42          | PS 04013 | 23  | 8  | 13 | PD 04013 | 24 | 10 | 18 |
| 14 | 39,2           | 35,95          | PS 04014 | 25  | 8  | 13 | PD 04014 | 26 | 10 | 18 |
| 15 | 41,7           | 38,48          | PS 04015 | 28  | 8  | 13 | PD 04015 | 29 | 10 | 18 |
| 16 | 44,3           | 41,01          | PS 04016 | 30  | 8  | 14 | PD 04016 | 32 | 10 | 20 |
| 17 | 46,8           | 43,53          | PS 04017 | 30  | 8  | 14 | PD 04017 | 34 | 10 | 20 |
| 18 | 49,3           | 46,07          | PS 04018 | 30  | 8  | 14 | PD 04018 | 37 | 10 | 20 |
| 19 | 51,9           | 48,61          | PS 04019 | 30  | 8  | 14 | PD 04019 | 39 | 10 | 20 |
| 20 | 54,4           | 51,14          | PS 04020 | 30  | 8  | 14 | PD 04020 | 40 | 10 | 20 |
| 21 | 57,0           | 53,67          | PS 04021 | 35  | 8  | 14 | PD 04021 | 40 | 10 | 20 |
| 22 | 59,5           | 56,21          | PS 04022 | 35  | 8  | 14 | PD 04022 | 40 | 10 | 20 |
| 23 | 62,0           | 58,75          | PS 04023 | 35  | 8  | 14 | PD 04023 | 40 | 10 | 20 |
| 24 | 64,6           | 61,29          | PS 04024 | 35  | 8  | 14 | PD 04024 | 40 | 10 | 20 |
| 25 | 67,5           | 63,83          | PS 04025 | 35  | 8  | 14 | PD 04025 | 40 | 10 | 20 |
| 26 | 69,5           | 66,37          | PS 04026 | 40  | 10 | 16 | PD 04026 | 50 | 12 | 22 |
| 27 | 72,2           | 68,91          | PS 04027 | 40  | 10 | 16 | PD 04027 | 50 | 12 | 22 |
| 28 | 74,8           | 71,45          | PS 04028 | 40  | 10 | 16 | PD 04028 | 50 | 12 | 22 |
| 29 | 77,3           | 73,99          | PS 04029 | 40  | 10 | 16 | PD 04029 | 50 | 12 | 22 |
| 30 | 79,8           | 76,53          | PS 04030 | 40  | 10 | 16 | PD 04030 | 50 | 12 | 22 |
| 31 | 82,4           | 79,08          | PS 04031 | 40  | 10 | 16 | PD 04031 | 60 | 12 | 22 |
| 32 | 84,9           | 81,61          | PS 04032 | 40  | 10 | 16 | PD 04032 | 60 | 12 | 22 |
| 33 | 87,5           | 84,16          | PS 04033 | 40  | 10 | 16 | PD 04033 | 60 | 12 | 22 |
| 34 | 90,0           | 86,70          | PS 04034 | 40  | 10 | 16 | PD 04034 | 60 | 12 | 22 |
| 35 | 92,5           | 89,24          | PS 04035 | 40  | 10 | 16 | PD 04035 | 60 | 12 | 22 |
| 36 | 95,0           | 91,79          | PS 04036 | 40  | 10 | 16 | PD 04036 | 60 | 12 | 22 |
| 37 | 97,6           | 94,33          | PS 04037 | 40  | 10 | 16 | PD 04037 | 60 | 12 | 22 |
| 38 | 100,2          | 96,88          | PS 04038 | 40  | 10 | 16 | PD 04038 | 60 | 12 | 22 |
| 39 | 102,7          | 99,42          | PS 04039 | 40  | 10 | 16 | PD 04039 | 60 | 12 | 22 |
| 40 | 105,2          | 101,97         | PS 04040 | 40  | 10 | 16 | PD 04040 | 60 | 12 | 22 |
| 45 | 118,0          | 114,69         | PS 04045 | 60  | 12 | 20 |          |    |    |    |
| 48 | 125,6          | 122,32         | PS 04048 | 62* | 12 | 20 |          |    |    |    |
| 50 | 130,7          | 127,41         | PS 04050 | 62* | 12 | 20 |          |    |    |    |
| 57 | 148,6          | 145,22         | PS 04057 | 80* | 14 | 20 |          |    |    |    |
| 60 | 156,2          | 152,85         | PS 04060 | 80* | 16 | 34 |          |    |    |    |
| 76 | 197,7          | 193,59         | PS 04076 | 80* | 20 | 34 |          |    |    |    |



# Pignoni / Sprockets Kettenräder mit Nabe / Pignons / Piñones

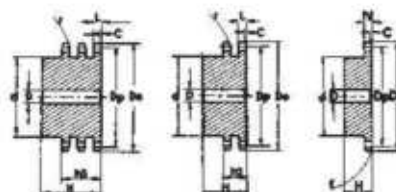
Pignoni per catene semplici, doppie e triple a rulli secondo: DIN 8187 - ISO/R 606

Sprockets for simplex, duplex and triplex chain to: DIN 8187 - ISO/R 606

Kettenräder mit einseitiger Nabe für Simplex- Duplex- Triplex-Rollenkette nach: DIN 8187 - ISO/R 606

Pignons avec moyeu déporté pour chaînes simples, doubles et triples à rouleaux suivant les normes: DIN 8187 - ISO/R 606

Piñones para cadena simple, doble y triple de rodillos según las normas: DIN 8187 - ISO/R 606



**3/8" x 7/32"**

**06B - 1-2-3 9,525 x 5,72 mm**

| CATENA            | CHAIN          | KETTE         | CHAÎNE             | CADENA        | ISO mm |
|-------------------|----------------|---------------|--------------------|---------------|--------|
| Passo             | Pitch          | Teilung       | Pas                | Paso          | 9,525  |
| Larghezza interna | Internal width | Innere Breite | Largeur interieure | Ancho interno | 5,720  |
| Rullo ø           | Roller ø       | Rollen ø      | ø du rouleau       | Rodillo ø     | 6,350  |

| PIGNONE                     | SPROCKETS                  | KETTENRÄDER               | PIGNONS                         | PIÑONES                     | ISO mm              |
|-----------------------------|----------------------------|---------------------------|---------------------------------|-----------------------------|---------------------|
| Raggio dente r              | Tooth radius r             | Radius r                  | Rayon de denture r              | Radio diente r              | r 10,0              |
| Larghezza raggio C          | Radius width C             | Breite C                  | Largeur de rayon C              | Ancho radio C               | C 1,0               |
| Largh. dente h <sub>1</sub> | Tooth width h <sub>1</sub> | Zahnbreite h <sub>1</sub> | Larg. de denture h <sub>1</sub> | Ancho diente h <sub>1</sub> | h <sub>1</sub> 5,3  |
| Largh. dente L              | Tooth width L              | Zahnbreite L              | Larg. de denture L              | Ancho diente L              | L 5,2               |
| Largh. dente h <sub>2</sub> | Tooth width h <sub>2</sub> | Zahnbreite h <sub>2</sub> | Larg. de denture h <sub>2</sub> | Ancho diente h <sub>2</sub> | h <sub>2</sub> 15,4 |
| Largh. dente h <sub>3</sub> | Tooth width h <sub>3</sub> | Zahnbreite h <sub>3</sub> | Larg. de denture h <sub>3</sub> | Ancho diente h <sub>3</sub> | h <sub>3</sub> 25,6 |
| Altezza totale H            | Full height H              | Gesamt Höhe H             | Hauteur totale H                | Altura total H              | H -                 |

**Materiale C45E  
UNI EN 10083-1**

\*Tipi costruiti con mozzo saldato: materiale Fe

**Material C45E  
UNI EN 10083-1**

\*With welded hub: material Fe

**Werkstoff C45E  
UNI EN 10083-1**

\*Typen mit eingeschweisster Nabe: Werkstoff Fe

**Matière C45E  
UNI EN 10083-1**

\*Types avec moyeu soudé: matière Fe

**Material C45E  
UNI EN 10083-1**

\*Tipos con nucleo soldado: material Fe

| Z  | D <sub>s</sub> | D <sub>p</sub> | Simplex  |     |    |    | Duplex   |      |    |    | Triplex  |      |    |    |
|----|----------------|----------------|----------|-----|----|----|----------|------|----|----|----------|------|----|----|
|    |                |                | cod.     | d   | D  | H  | cod.     | d    | D  | H  | cod.     | d    | D  | H  |
| 8  | 28,0           | 24,89          | PS 05008 | 15  | 8  | 22 | PD 05008 | 15   | 6  | 22 | PT 05008 | 15   | 6  | 32 |
| 9  | 31,0           | 27,85          | PS 05009 | 18  | 8  | 22 | PD 05009 | 18   | 8  | 22 | PT 05009 | 18   | 8  | 32 |
| 10 | 34,0           | 30,82          | PS 05010 | 20  | 8  | 22 | PD 05010 | 20   | 8  | 22 | PT 05010 | 20   | 10 | 32 |
| 11 | 37,0           | 33,80          | PS 05011 | 22  | 8  | 25 | PD 05011 | 22   | 10 | 25 | PT 05011 | 22   | 10 | 35 |
| 12 | 40,0           | 36,80          | PS 05012 | 25  | 8  | 25 | PD 05012 | 25   | 10 | 25 | PT 05012 | 25   | 10 | 35 |
| 13 | 43,0           | 39,80          | PS 05013 | 28  | 10 | 25 | PD 05013 | 28   | 10 | 25 | PT 05013 | 28   | 10 | 35 |
| 14 | 46,3           | 42,80          | PS 05014 | 31  | 10 | 25 | PD 05014 | 31   | 10 | 25 | PT 05014 | 31   | 12 | 35 |
| 15 | 49,3           | 45,81          | PS 05015 | 34  | 10 | 25 | PD 05015 | 34   | 10 | 25 | PT 05015 | 34   | 12 | 35 |
| 16 | 52,3           | 48,82          | PS 05016 | 37  | 10 | 28 | PD 05016 | 37   | 12 | 30 | PT 05016 | 37   | 12 | 35 |
| 17 | 55,3           | 51,83          | PS 05017 | 40  | 10 | 28 | PD 05017 | 40   | 12 | 30 | PT 05017 | 40   | 12 | 35 |
| 18 | 58,3           | 54,85          | PS 05018 | 43  | 10 | 28 | PD 05018 | 43   | 12 | 30 | PT 05018 | 43   | 12 | 35 |
| 19 | 61,3           | 57,87          | PS 05019 | 45  | 10 | 28 | PD 05019 | 46   | 12 | 30 | PT 05019 | 46   | 12 | 35 |
| 20 | 64,3           | 60,89          | PS 05020 | 46  | 10 | 28 | PD 05020 | 49   | 12 | 30 | PT 05020 | 49   | 12 | 35 |
| 21 | 68,0           | 63,91          | PS 05021 | 48  | 12 | 28 | PD 05021 | 52   | 12 | 30 | PT 05021 | 52   | 14 | 40 |
| 22 | 71,0           | 66,93          | PS 05022 | 50  | 12 | 28 | PD 05022 | 55   | 12 | 30 | PT 05022 | 55   | 14 | 40 |
| 23 | 73,5           | 69,95          | PS 05023 | 52  | 12 | 28 | PD 05023 | 58   | 12 | 30 | PT 05023 | 58   | 14 | 40 |
| 24 | 77,0           | 72,97          | PS 05024 | 54  | 12 | 28 | PD 05024 | 61   | 12 | 30 | PT 05024 | 61   | 14 | 40 |
| 25 | 80,0           | 76,00          | PS 05025 | 57  | 12 | 28 | PD 05025 | 64   | 12 | 30 | PT 05025 | 64   | 14 | 40 |
| 26 | 83,0           | 79,02          | PS 05026 | 60  | 12 | 28 | PD 05026 | 67   | 12 | 30 | PT 05026 | 67   | 14 | 40 |
| 27 | 86,0           | 82,04          | PS 05027 | 60  | 12 | 28 | PD 05027 | 70   | 12 | 30 | PT 05027 | 70   | 14 | 40 |
| 28 | 89,0           | 85,07          | PS 05028 | 60  | 12 | 28 | PD 05028 | 73   | 12 | 30 | PT 05028 | 73   | 14 | 40 |
| 29 | 92,0           | 88,09          | PS 05029 | 60  | 12 | 28 | PD 05029 | 76   | 12 | 30 | PT 05029 | 76   | 14 | 40 |
| 30 | 94,7           | 91,12          | PS 05030 | 60  | 12 | 30 | PD 05030 | 79   | 12 | 30 | PT 05030 | 79   | 14 | 40 |
| 31 | 98,3           | 94,15          | PS 05031 | 65  | 14 | 30 | PD 05031 | 80   | 16 | 30 | PT 05031 | 80   | 16 | 40 |
| 32 | 101,3          | 97,17          | PS 05032 | 65  | 14 | 30 | PD 05032 | 80   | 16 | 30 | PT 05032 | 80   | 16 | 40 |
| 33 | 104,3          | 100,20         | PS 05033 | 65  | 14 | 30 | PD 05033 | 80   | 16 | 30 | PT 05033 | 80   | 16 | 40 |
| 34 | 107,3          | 103,23         | PS 05034 | 65  | 14 | 30 | PD 05034 | 80   | 16 | 30 | PT 05034 | 85   | 16 | 40 |
| 35 | 110,4          | 106,26         | PS 05035 | 65  | 14 | 30 | PD 05035 | 80   | 16 | 30 | PT 05035 | 85   | 16 | 40 |
| 36 | 113,4          | 109,29         | PS 05036 | 70  | 16 | 30 | PD 05036 | 90   | 16 | 30 | PT 05036 | 90   | 16 | 40 |
| 37 | 116,4          | 112,32         | PS 05037 | 70  | 16 | 30 | PD 05037 | 90   | 16 | 30 | PT 05037 | 90   | 16 | 40 |
| 38 | 119,5          | 115,34         | PS 05038 | 70  | 16 | 30 | PD 05038 | 90   | 16 | 30 | PT 05038 | 90   | 16 | 40 |
| 39 | 122,5          | 118,37         | PS 05039 | 70  | 16 | 30 | PD 05039 | 90   | 16 | 30 | PT 05039 | 90   | 16 | 40 |
| 40 | 125,5          | 121,40         | PS 05040 | 70  | 16 | 30 | PD 05040 | 90   | 16 | 30 | PT 05040 | 90   | 16 | 40 |
| 42 | 131,6          | 127,46         | PS 05042 | 78* | 16 | 35 | PD 05042 | 88*  | 20 | 50 |          |      |    |    |
| 45 | 140,7          | 136,54         | PS 05045 | 78* | 16 | 35 | PD 05045 | 88*  | 20 | 50 | PT 05045 | 88*  | 20 | 60 |
| 46 | 143,7          | 139,58         | PS 05046 | 78* | 16 | 35 |          |      |    |    |          |      |    |    |
| 48 | 149,7          | 145,64         | PS 05048 | 78* | 16 | 35 | PD 05048 | 88*  | 20 | 50 | PT 05048 | 88*  | 20 | 60 |
| 50 | 155,7          | 151,69         | PS 05050 | 78* | 20 | 35 | PD 05050 | 88*  | 20 | 50 | PT 05050 | 88*  | 20 | 60 |
| 55 | 170,8          | 166,85         | PS 05055 | 78* | 20 | 35 |          |      |    |    |          |      |    |    |
| 57 | 176,9          | 172,91         | PS 05057 | 78* | 20 | 35 | PD 05057 | 88*  | 20 | 50 | PT 05057 | 88*  | 25 | 60 |
| 60 | 186,0          | 181,99         | PS 05060 | 78* | 20 | 35 | PD 05060 | 88*  | 20 | 50 | PT 05060 | 88*  | 25 | 60 |
| 76 | 234,9          | 230,49         | PS 05076 | 78* | 20 | 35 | PD 05076 | 88*  | 25 | 50 | PT 05076 | 88*  | 25 | 60 |
| 95 | 292,5          | 288,08         | PS 05095 | 88* | 25 | 40 | PD 05095 | 108* | 25 | 50 | PT 05060 | 120* | 25 | 60 |



# Pignoni / Sprockets

## Kettenräder mit Nabe / Pignons / Piñones

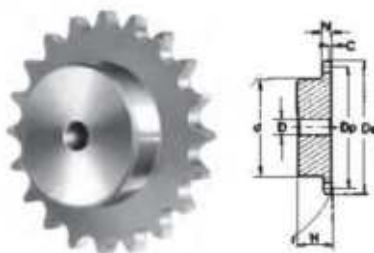
Pignoni per catene semplici,  
a rulli secondo: DIN 8187 -  
ISO/R 606

Sprockets for simplex chain  
to: DIN 8187 - ISO/R 606

Kettenräder mit einseitiger  
Nabe für Simplex-Rollenkette  
nach: DIN 8187 - ISO/R 606

Pignons avec moyeu déporté  
pour chaînes simples à  
rouleaux suivant les normes:  
DIN 8187 - ISO/R 606

Piñones para cadena simple  
de rodillos según las normas:  
DIN 8187 - ISO/R 606



1/2" x 1/8"

081-1 12,7 x 3,33 mm

| CATENA            | CHAIN          | KETTE         | CHAÎNE             | CADENA        | ISO mm |
|-------------------|----------------|---------------|--------------------|---------------|--------|
| Passo             | Pitch          | Teilung       | Pas                | Paso          | 12,70  |
| Larghezza interna | Internal width | Innere Breite | Largeur interieure | Ancho interno | 3,30   |
| Rullo ø           | Roller ø       | Rollen ø      | ø du rouleau       | Rodillo ø     | 7,75   |

| PIGNONE                     | SPROCKETS                  | KETTENRÄDER               | PIGNONS                         | PIÑONES                     | ISO mm             |
|-----------------------------|----------------------------|---------------------------|---------------------------------|-----------------------------|--------------------|
| Raggio dente r              | Tooth radius r             | Radius r                  | Rayon de denture r              | Radio diente r              | r 13,0             |
| Larghezza raggio C          | Radius width C             | Breite C                  | Largeur de rayon C              | Ancho radio C               | C 1,0              |
| Largh. dente h <sub>1</sub> | Tooth width h <sub>1</sub> | Zahnbreite h <sub>1</sub> | Larg. de denture h <sub>1</sub> | Ancho diente h <sub>1</sub> | h <sub>1</sub> 3,0 |
| Largh. dente L              | Tooth width L              | Zahnbreite L              | Larg. de denture L              | Ancho diente L              | L -                |
| Largh. dente h <sub>2</sub> | Tooth width h <sub>2</sub> | Zahnbreite h <sub>2</sub> | Larg. de denture h <sub>2</sub> | Ancho diente h <sub>2</sub> | h <sub>2</sub> -   |
| Largh. dente h <sub>3</sub> | Tooth width h <sub>3</sub> | Zahnbreite h <sub>3</sub> | Larg. de denture h <sub>3</sub> | Ancho diente h <sub>3</sub> | h <sub>3</sub> -   |
| Altezza totale H            | Full height H              | Gesamt Höhe H             | Hauteur totale H                | Altura total H              | H -                |

Materiale C45E  
UNI EN 10083-1

Material C45E  
UNI EN 10083-1

Werkstoff C45E  
UNI EN 10083-1

Matière C45E  
UNI EN 10083-1

Material C45E  
UNI EN 10083-1

| Z  | D <sub>s</sub> | D <sub>p</sub> | Simplex  |    |    |    |
|----|----------------|----------------|----------|----|----|----|
|    |                |                | cod.     | d  | D  | H  |
| 8  | 37,2           | 33,18          | PS 06008 | 21 | 8  | 14 |
| 9  | 41,5           | 37,13          | PS 06009 | 25 | 8  | 14 |
| 10 | 46,2           | 41,10          | PS 06010 | 28 | 8  | 14 |
| 11 | 49,6           | 45,07          | PS 06011 | 31 | 8  | 16 |
| 12 | 53,9           | 49,07          | PS 06012 | 35 | 8  | 16 |
| 13 | 58,4           | 53,06          | PS 06013 | 39 | 8  | 16 |
| 14 | 62,8           | 57,07          | PS 06014 | 43 | 8  | 16 |
| 15 | 66,8           | 61,09          | PS 06015 | 47 | 8  | 16 |
| 16 | 70,9           | 65,10          | PS 06016 | 50 | 10 | 18 |
| 17 | 74,9           | 69,11          | PS 06017 | 50 | 10 | 18 |
| 18 | 78,9           | 73,14          | PS 06018 | 50 | 10 | 18 |
| 19 | 82,9           | 77,16          | PS 06019 | 50 | 10 | 18 |
| 20 | 86,9           | 81,19          | PS 06020 | 50 | 10 | 18 |
| 21 | 91,0           | 85,22          | PS 06021 | 60 | 12 | 20 |
| 22 | 95,0           | 89,24          | PS 06022 | 60 | 12 | 20 |
| 23 | 99,0           | 93,27          | PS 06023 | 60 | 12 | 20 |
| 24 | 103,0          | 97,29          | PS 06024 | 60 | 12 | 20 |
| 25 | 107,1          | 101,33         | PS 06025 | 60 | 12 | 20 |
| 26 | 111,2          | 105,36         | PS 06026 | 70 | 16 | 20 |
| 27 | 115,4          | 109,40         | PS 06027 | 70 | 16 | 20 |
| 28 | 119,4          | 113,42         | PS 06028 | 70 | 16 | 20 |
| 29 | 123,4          | 117,46         | PS 06029 | 70 | 16 | 20 |
| 30 | 127,5          | 121,50         | PS 06030 | 70 | 16 | 20 |
| 31 | 131,5          | 125,54         | PS 06031 | 70 | 16 | 20 |
| 32 | 135,5          | 129,56         | PS 06032 | 70 | 16 | 20 |
| 33 | 139,6          | 133,60         | PS 06033 | 70 | 16 | 20 |
| 34 | 143,6          | 137,64         | PS 06034 | 70 | 16 | 20 |
| 35 | 147,6          | 141,68         | PS 06035 | 70 | 16 | 20 |
| 36 | 151,7          | 145,72         | PS 06036 | 70 | 16 | 25 |
| 37 | 155,7          | 149,76         | PS 06037 | 70 | 16 | 25 |
| 38 | 159,8          | 153,80         | PS 06038 | 70 | 16 | 25 |
| 39 | 163,8          | 157,83         | PS 06039 | 70 | 16 | 25 |
| 40 | 167,8          | 161,87         | PS 06040 | 70 | 16 | 25 |

## Pignoni / Sprockets Kettenräder mit Nabe / Pignons / Piñones

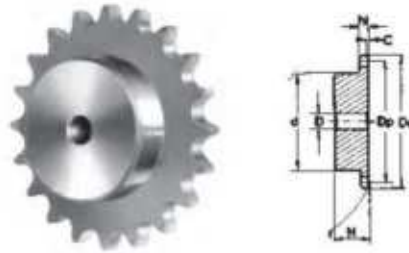
Pignoni per catene semplici,  
a rulli secondo: DIN 8187 -  
ISO/R 606

Sprockets for simplex chain  
to: DIN 8187 - ISO/R 606

Kettenräder mit einseitiger  
Nabe für Simplex-Rollenkette  
nach: DIN 8187 - ISO/R 606

Pignons avec moyeu déporté  
pour chaînes simples à rouleaux  
suivant les normes: DIN 8187 -  
ISO/R 606

Piñones para cadena simple  
de rodillos según las normas:  
DIN 8187 - ISO/R 606



**1/2" x 3/16"**

**083-1/084-1 12,7 x 4,88 mm**

| CATENA            | CHAIN          | KETTE         | CHAÎNE             | CADENA        | ISO mm       |
|-------------------|----------------|---------------|--------------------|---------------|--------------|
| Passo             | Pitch          | Teilung       | Pas                | Paso          | <b>12,70</b> |
| Larghezza interna | Internal width | Innere Breite | Largeur interieure | Ancho interno | <b>4,88</b>  |
| Rullo ø           | Roller ø       | Rollen ø      | ø du rouleau       | Rodillo ø     | <b>7,75</b>  |

| PIGNONE                     | SPROCKETS                  | KETTENRÄDER               | PIGNONS                         | PIÑONES                     | ISO mm                   |
|-----------------------------|----------------------------|---------------------------|---------------------------------|-----------------------------|--------------------------|
| Raggio dente r              | Tooth radius r             | Radius r                  | Rayon de denture r              | Radio diente r              | <b>r 13,0</b>            |
| Larghezza raggio C          | Radius width C             | Breite C                  | Largeur de rayon C              | Ancho radio C               | <b>C 1,3</b>             |
| Largh. dente h <sub>1</sub> | Tooth width h <sub>1</sub> | Zahnbreite h <sub>1</sub> | Larg. de denture h <sub>1</sub> | Ancho diente h <sub>1</sub> | <b>h<sub>1</sub> 4,5</b> |
| Largh. dente L              | Tooth width L              | Zahnbreite L              | Larg. de denture L              | Ancho diente L              | <b>L -</b>               |
| Largh. dente h <sub>2</sub> | Tooth width h <sub>2</sub> | Zahnbreite h <sub>2</sub> | Larg. de denture h <sub>2</sub> | Ancho diente h <sub>2</sub> | <b>h<sub>2</sub> -</b>   |
| Largh. dente h <sub>3</sub> | Tooth width h <sub>3</sub> | Zahnbreite h <sub>3</sub> | Larg. de denture h <sub>3</sub> | Ancho diente h <sub>3</sub> | <b>h<sub>3</sub> -</b>   |
| Altezza totale H            | Full height H              | Gesamt Höhe H             | Hauteur totale H                | Altura total H              | <b>H -</b>               |

**Materiale C45E  
UNI EN 10083-1**

**Material C45E  
UNI EN 10083-1**

**Werkstoff C45E  
UNI EN 10083-1**

**Matière C45E  
UNI EN 10083-1**

**Material C45E  
UNI EN 10083-1**

| Z  | D <sub>e</sub> | D <sub>p</sub> | Simplex  |    |    |    |
|----|----------------|----------------|----------|----|----|----|
|    |                |                | cod.     | d  | D  | H  |
| 8  | 38,5           | 33,18          | PS 07008 | 21 | 8  | 14 |
| 9  | 41,5           | 37,13          | PS 07009 | 25 | 8  | 14 |
| 10 | 46,2           | 41,10          | PS 07010 | 28 | 8  | 14 |
| 11 | 49,6           | 45,07          | PS 07011 | 31 | 8  | 16 |
| 12 | 53,9           | 49,07          | PS 07012 | 35 | 8  | 16 |
| 13 | 58,4           | 53,06          | PS 07013 | 39 | 8  | 16 |
| 14 | 62,8           | 57,07          | PS 07014 | 43 | 8  | 16 |
| 15 | 66,8           | 61,09          | PS 07015 | 47 | 8  | 16 |
| 16 | 70,9           | 65,10          | PS 07016 | 50 | 10 | 18 |
| 17 | 74,9           | 69,11          | PS 07017 | 50 | 10 | 18 |
| 18 | 78,9           | 73,14          | PS 07018 | 50 | 10 | 18 |
| 19 | 82,9           | 77,16          | PS 07019 | 50 | 10 | 18 |
| 20 | 86,9           | 81,19          | PS 07020 | 50 | 10 | 18 |
| 21 | 91,0           | 85,22          | PS 07021 | 60 | 12 | 20 |
| 22 | 95,0           | 89,24          | PS 07022 | 60 | 12 | 20 |
| 23 | 99,0           | 93,27          | PS 07023 | 60 | 12 | 20 |
| 24 | 103,0          | 97,29          | PS 07024 | 60 | 12 | 20 |
| 25 | 107,1          | 101,33         | PS 07025 | 60 | 12 | 20 |
| 26 | 111,2          | 105,36         | PS 07026 | 70 | 16 | 20 |
| 27 | 115,4          | 109,40         | PS 07027 | 70 | 16 | 20 |
| 28 | 119,4          | 113,42         | PS 07028 | 70 | 16 | 20 |
| 29 | 123,4          | 117,46         | PS 07029 | 70 | 16 | 20 |
| 30 | 127,5          | 121,50         | PS 07030 | 70 | 16 | 20 |
| 31 | 131,5          | 125,54         | PS 07031 | 70 | 16 | 20 |
| 32 | 135,5          | 129,56         | PS 07032 | 70 | 16 | 20 |
| 33 | 139,6          | 133,60         | PS 07033 | 70 | 16 | 20 |
| 34 | 143,6          | 137,64         | PS 07034 | 70 | 16 | 20 |
| 35 | 147,6          | 141,68         | PS 07035 | 70 | 16 | 20 |
| 36 | 151,7          | 145,72         | PS 07036 | 70 | 16 | 25 |
| 37 | 155,7          | 149,76         | PS 07037 | 70 | 16 | 25 |
| 38 | 159,8          | 153,80         | PS 07038 | 70 | 16 | 25 |
| 39 | 163,8          | 157,83         | PS 07039 | 70 | 16 | 25 |
| 40 | 167,8          | 161,87         | PS 07040 | 70 | 16 | 25 |

# Pignoni / Sprockets

## Kettenräder mit Nabe / Pignons / Piñones

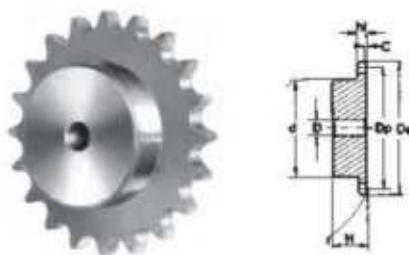
Pignoni per catene semplici,  
a rulli secondo: DIN 8187 -  
ISO/R 606

Sprockets for simplex chain  
to: DIN 8187 - ISO/R 606

Kettenräder mit einseitiger  
Nabe für Simplex-Rollenkette  
nach: DIN 8187 - ISO/R 606

Pignons avec moyeu déporté  
pour chaînes simples à rouleaux  
suivant les normes: DIN 8187 -  
ISO/R 606

Piñones para cadena simple  
de rodillos según las normas:  
DIN 8187 - ISO/R 606



1/2" x 1/4"

085-1 12,7 x 6,4 x 7,75 mm

| CATENA            | CHAIN          | KETTE         | CHAÎNE             | CADENA        | ISO mm |
|-------------------|----------------|---------------|--------------------|---------------|--------|
| Passo             | Pitch          | Teilung       | Pas                | Paso          | 12,70  |
| Larghezza interna | Internal width | Innere Breite | Largeur interieure | Ancho interno | 6,40   |
| Rullo ø           | Roller ø       | Rollen ø      | ø du rouleau       | Rodillo ø     | 7,75   |

| PIGNONE                     | SPROCKETS                  | KETTENRÄDER               | PIGNONS                         | PIÑONES                     | ISO mm             |
|-----------------------------|----------------------------|---------------------------|---------------------------------|-----------------------------|--------------------|
| Raggio dente r              | Tooth radius r             | Radius r                  | Rayon de denture r              | Radio diente r              | r 13,0             |
| Larghezza raggio C          | Radius width C             | Breite C                  | Largeur de rayon C              | Ancho radio C               | C 1,3              |
| Largh. dente h <sub>1</sub> | Tooth width h <sub>1</sub> | Zahnbreite h <sub>1</sub> | Larg. de denture h <sub>1</sub> | Ancho diente h <sub>1</sub> | h <sub>1</sub> 5,9 |
| Largh. dente L              | Tooth width L              | Zahnbreite L              | Larg. de denture L              | Ancho diente L              | L -                |
| Largh. dente h <sub>2</sub> | Tooth width h <sub>2</sub> | Zahnbreite h <sub>2</sub> | Larg. de denture h <sub>2</sub> | Ancho diente h <sub>2</sub> | h <sub>2</sub> -   |
| Largh. dente h <sub>3</sub> | Tooth width h <sub>3</sub> | Zahnbreite h <sub>3</sub> | Larg. de denture h <sub>3</sub> | Ancho diente h <sub>3</sub> | h <sub>3</sub> -   |
| Altezza totale H            | Full height H              | Gesamt Höhe H             | Hauteur totale H                | Altura total H              | H -                |

Materiale C45E  
UNI EN 10083-1

Material C45E  
UNI EN 10083-1

Werkstoff C45E  
UNI EN 10083-1

Matière C45E  
UNI EN 10083-1

Material C45E  
UNI EN 10083-1

| Z  | D <sub>e</sub> | D <sub>p</sub> | Simplex  |    |    |    |
|----|----------------|----------------|----------|----|----|----|
|    |                |                | cod.     | d  | D  | H  |
| 8  | 38,5           | 33,18          | PS 08008 | 20 | 10 | 25 |
| 9  | 41,5           | 37,13          | PS 08009 | 24 | 10 | 25 |
| 10 | 46,2           | 41,10          | PS 08010 | 26 | 10 | 25 |
| 11 | 49,6           | 45,07          | PS 08011 | 29 | 10 | 25 |
| 12 | 53,9           | 49,07          | PS 08012 | 33 | 10 | 28 |
| 13 | 58,4           | 53,06          | PS 08013 | 37 | 10 | 28 |
| 14 | 62,8           | 57,07          | PS 08014 | 41 | 10 | 28 |
| 15 | 66,8           | 61,09          | PS 08015 | 45 | 10 | 28 |
| 16 | 70,9           | 65,10          | PS 08016 | 50 | 12 | 28 |
| 17 | 74,9           | 69,11          | PS 08017 | 52 | 12 | 28 |
| 18 | 78,9           | 73,14          | PS 08018 | 56 | 12 | 28 |
| 19 | 82,9           | 77,16          | PS 08019 | 60 | 12 | 28 |
| 20 | 86,9           | 81,19          | PS 08020 | 64 | 12 | 28 |
| 21 | 91,0           | 85,22          | PS 08021 | 68 | 14 | 28 |
| 22 | 95,0           | 89,24          | PS 08022 | 70 | 14 | 28 |
| 23 | 99,0           | 93,27          | PS 08023 | 70 | 14 | 28 |
| 24 | 103,0          | 97,29          | PS 08024 | 70 | 14 | 28 |
| 25 | 107,1          | 101,33         | PS 08025 | 70 | 14 | 28 |
| 26 | 111,2          | 105,36         | PS 08026 | 70 | 16 | 30 |
| 27 | 115,4          | 109,40         | PS 08027 | 70 | 16 | 30 |
| 28 | 119,4          | 113,42         | PS 08028 | 70 | 16 | 30 |
| 29 | 123,4          | 117,46         | PS 08029 | 80 | 16 | 30 |
| 30 | 127,5          | 121,50         | PS 08030 | 80 | 16 | 30 |
| 31 | 131,5          | 125,54         | PS 08031 | 90 | 16 | 30 |
| 32 | 135,5          | 129,56         | PS 08032 | 90 | 16 | 30 |
| 33 | 139,6          | 133,60         | PS 08033 | 90 | 16 | 30 |
| 34 | 143,6          | 137,64         | PS 08034 | 90 | 16 | 30 |
| 35 | 147,6          | 141,68         | PS 08035 | 90 | 16 | 30 |
| 36 | 151,7          | 145,72         | PS 08036 | 90 | 16 | 35 |
| 37 | 155,7          | 149,76         | PS 08037 | 90 | 16 | 35 |
| 38 | 159,8          | 153,80         | PS 08038 | 90 | 16 | 35 |
| 39 | 163,8          | 157,83         | PS 08039 | 90 | 16 | 35 |
| 40 | 167,8          | 161,87         | PS 08040 | 90 | 16 | 35 |
| 45 | 187,5          | 182,07         | PS 08045 | 90 | 16 | 40 |



## Pignoni / Sprockets Kettenräder mit Nabe / Pignons / Piñones

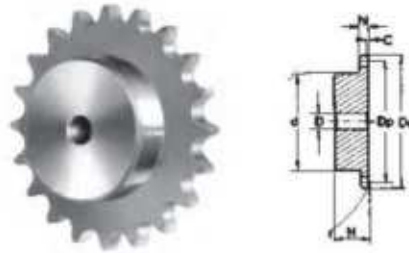
Pignoni per catene semplici,  
a rulli secondo: DIN 8187 -  
ISO/R 606

Sprockets for simplex chain  
to: DIN 8187 - ISO/R 606

Kettenräder mit einseitiger  
Nabe für Simplex-Rollenkette  
nach: DIN 8187 - ISO/R 606

Pignons avec moyeu déporté  
pour chaînes simples à rouleaux  
suivant les normes: DIN 8187 -  
ISO/R 606

Piñones para cadena simple  
de rodillos según las normas:  
DIN 8187 - ISO/R 606



**1/2" x 1/4"**

**085-1 12,7 x 6,4 x 8,51 mm**

| CATENA            | CHAIN          | KETTE         | CHAÎNE             | CADENA        | ISO mm |
|-------------------|----------------|---------------|--------------------|---------------|--------|
| Passo             | Pitch          | Teilung       | Pas                | Paso          | 12,70  |
| Larghezza interna | Internal width | Innere Breite | Largeur interieure | Ancho interno | 6,40   |
| Rullo ø           | Roller ø       | Rollen ø      | ø du rouleau       | Rodillo ø     | 8,51   |

| PIGNONE                     | SPROCKETS                  | KETTENRÄDER               | PIGNONS                         | PIÑONES                     | ISO mm             |
|-----------------------------|----------------------------|---------------------------|---------------------------------|-----------------------------|--------------------|
| Raggio dente r              | Tooth radius r             | Radius r                  | Rayon de denture r              | Radio diente r              | r 13,0             |
| Larghezza raggio C          | Radius width C             | Breite C                  | Largeur de rayon C              | Ancho radio C               | C 1,3              |
| Largh. dente h <sub>1</sub> | Tooth width h <sub>1</sub> | Zahnbreite h <sub>1</sub> | Larg. de denture h <sub>1</sub> | Ancho diente h <sub>1</sub> | h <sub>1</sub> 5,9 |
| Largh. dente L              | Tooth width L              | Zahnbreite L              | Larg. de denture L              | Ancho diente L              | L -                |
| Largh. dente h <sub>2</sub> | Tooth width h <sub>2</sub> | Zahnbreite h <sub>2</sub> | Larg. de denture h <sub>2</sub> | Ancho diente h <sub>2</sub> | h <sub>2</sub> -   |
| Largh. dente h <sub>3</sub> | Tooth width h <sub>3</sub> | Zahnbreite h <sub>3</sub> | Larg. de denture h <sub>3</sub> | Ancho diente h <sub>3</sub> | h <sub>3</sub> -   |
| Altezza totale H            | Full height H              | Gesamt Höhe H             | Hauteur totale H                | Altura total H              | H -                |

| Materiale C45E<br>UNI EN 10083-1 | Material C45E<br>UNI EN 10083-1 | Werkstoff C45E<br>UNI EN 10083-1 | Matière C45E<br>UNI EN 10083-1 | Material C45E<br>UNI EN 10083-1 |    |    |
|----------------------------------|---------------------------------|----------------------------------|--------------------------------|---------------------------------|----|----|
| Z                                | D <sub>s</sub>                  | D <sub>p</sub>                   | Simplex                        |                                 |    |    |
|                                  |                                 |                                  | cod.                           | d                               | D  | H  |
| 8                                | 37,2                            | 33,18                            | PS 17008                       | 20                              | 10 | 25 |
| 9                                | 41,0                            | 37,13                            | PS 17009                       | 24                              | 10 | 25 |
| 10                               | 45,2                            | 41,10                            | PS 17010                       | 26                              | 10 | 25 |
| 11                               | 48,7                            | 45,07                            | PS 17011                       | 29                              | 10 | 25 |
| 12                               | 53,0                            | 49,07                            | PS 17012                       | 33                              | 10 | 28 |
| 13                               | 57,4                            | 53,06                            | PS 17013                       | 37                              | 10 | 28 |
| 14                               | 61,8                            | 57,07                            | PS 17014                       | 41                              | 10 | 28 |
| 15                               | 65,5                            | 61,09                            | PS 17015                       | 45                              | 10 | 28 |
| 16                               | 69,5                            | 65,10                            | PS 17016                       | 50                              | 12 | 28 |
| 17                               | 73,6                            | 69,11                            | PS 17017                       | 52                              | 12 | 28 |
| 18                               | 77,8                            | 73,14                            | PS 17018                       | 56                              | 12 | 28 |
| 19                               | 81,7                            | 77,16                            | PS 17019                       | 60                              | 12 | 28 |
| 20                               | 85,8                            | 81,19                            | PS 17020                       | 64                              | 12 | 28 |
| 21                               | 89,7                            | 85,22                            | PS 17021                       | 68                              | 14 | 28 |
| 22                               | 93,8                            | 89,24                            | PS 17022                       | 70                              | 14 | 28 |
| 23                               | 98,2                            | 93,27                            | PS 17023                       | 70                              | 14 | 28 |
| 24                               | 101,8                           | 97,29                            | PS 17024                       | 70                              | 14 | 28 |
| 25                               | 105,8                           | 101,33                           | PS 17025                       | 70                              | 14 | 28 |
| 26                               | 110,0                           | 105,36                           | PS 17026                       | 70                              | 16 | 30 |
| 27                               | 114,0                           | 109,40                           | PS 17027                       | 70                              | 16 | 30 |
| 28                               | 118,0                           | 113,42                           | PS 17028                       | 70                              | 16 | 30 |
| 29                               | 122,0                           | 117,46                           | PS 17029                       | 80                              | 16 | 30 |
| 30                               | 126,1                           | 121,50                           | PS 17030                       | 80                              | 16 | 30 |
| 31                               | 130,2                           | 125,54                           | PS 17031                       | 90                              | 16 | 30 |
| 32                               | 134,3                           | 129,56                           | PS 17032                       | 90                              | 16 | 30 |
| 33                               | 138,4                           | 133,60                           | PS 17033                       | 90                              | 16 | 30 |
| 34                               | 142,6                           | 137,64                           | PS 17034                       | 90                              | 16 | 30 |
| 35                               | 146,7                           | 141,68                           | PS 17035                       | 90                              | 16 | 30 |
| 36                               | 151,0                           | 145,72                           | PS 17036                       | 90                              | 16 | 35 |
| 37                               | 154,6                           | 149,76                           | PS 17037                       | 90                              | 16 | 35 |
| 38                               | 158,6                           | 153,80                           | PS 17038                       | 90                              | 16 | 35 |
| 39                               | 162,7                           | 157,83                           | PS 17039                       | 90                              | 16 | 35 |
| 40                               | 166,8                           | 161,87                           | PS 17040                       | 90                              | 16 | 35 |

# Pignoni / Sprockets

## Kettenräder mit Nabe / Pignons / Piñones

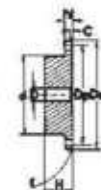
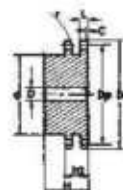
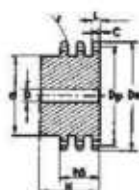
Pignoni per catene semplici, doppie e triple a rulli secondo: DIN 8187 - ISO/R 606

Sprockets for simplex, duplex and triplex chain to: DIN 8187 - ISO/R 606

Kettenräder mit einseitiger Nabe für Simplex- Duplex- Triplex-Rollenkette nach: DIN 8187 - ISO/R 606

Pignons avec moyeu déporté pour chaînes simples, doubles et triples à rouleaux suivant les normes: DIN 8187 - ISO/R 606

Piñones para cadena simple, doble y triple de rodillos según las normas: DIN 8187 - ISO/R 606



1/2" x 5/16"

08B - 1-2-3 12,7 x 7,75 mm

| CATENA            | CHAIN          | KETTE         | CHAÎNE             | CADENA        | ISO mm |
|-------------------|----------------|---------------|--------------------|---------------|--------|
| Passo             | Pitch          | Teilung       | Pas                | Paso          | 12,70  |
| Larghezza interna | Internal width | Innere Breite | Largeur interieure | Ancho interno | 7,75   |
| Rullo ø           | Roller ø       | Rollen ø      | ø du rouleau       | Rodillo ø     | 8,51   |

| PIGNONE                     | SPROCKETS                  | KETTENRÄDER               | PIGNONS                         | PIÑONES                     | ISO mm              |
|-----------------------------|----------------------------|---------------------------|---------------------------------|-----------------------------|---------------------|
| Raggio dente r              | Tooth radius r             | Radius r                  | Rayon de denture r              | Radio diente r              | r 13,0              |
| Larghezza raggio C          | Radius width C             | Breite C                  | Largeur de rayon C              | Ancho radio C               | C 1,3               |
| Largh. dente h <sub>1</sub> | Tooth width h <sub>1</sub> | Zahnbreite h <sub>1</sub> | Larg. de denture h <sub>1</sub> | Ancho diente h <sub>1</sub> | h <sub>1</sub> 7,2  |
| Largh. dente L              | Tooth width L              | Zahnbreite L              | Larg. de denture L              | Ancho diente L              | L 7,0               |
| Largh. dente h <sub>2</sub> | Tooth width h <sub>2</sub> | Zahnbreite h <sub>2</sub> | Larg. de denture h <sub>2</sub> | Ancho diente h <sub>2</sub> | h <sub>2</sub> 21,0 |
| Largh. dente h <sub>3</sub> | Tooth width h <sub>3</sub> | Zahnbreite h <sub>3</sub> | Larg. de denture h <sub>3</sub> | Ancho diente h <sub>3</sub> | h <sub>3</sub> 34,9 |
| Altezza totale H            | Full height H              | Gesamt Höhe H             | Hauteur totale H                | Altura total H              | H -                 |

**Materiale C45E**  
UNI EN 10083-1

\*Tipi costruiti con mozzo saldato: materiale Fe

**Material C45E**  
UNI EN 10083-1

\*With welded hub: material Fe

**Werkstoff C45E**  
UNI EN 10083-1

\*Typen mit eingeschweisster Nabe: Werkstoff Fe

**Matière C45E**  
UNI EN 10083-1

\*Tipos avec moyeu soudé: matière Fe

**Material C45E**  
UNI EN 10083-1

\*Tipos con nucleo soldado: material Fe

| Z  | D <sub>o</sub> | D <sub>p</sub> | Simplex  |      |    |    | Duplex   |      |    |    | Triplex  |      |    |    |
|----|----------------|----------------|----------|------|----|----|----------|------|----|----|----------|------|----|----|
|    |                |                | cod.     | d    | D  | H  | cod.     | d    | D  | H  | cod.     | d    | D  | H  |
| 8  | 37,2           | 33,18          | PS 09008 | 20   | 10 | 25 | PD 09008 | 20   | 10 | 32 | PT 09008 | 20   | 10 | 46 |
| 9  | 41,0           | 37,13          | PS 09009 | 24   | 10 | 25 | PD 09009 | 24   | 10 | 32 | PT 09009 | 24   | 10 | 46 |
| 10 | 45,2           | 41,10          | PS 09010 | 26   | 10 | 25 | PD 09010 | 28   | 10 | 32 | PT 09010 | 28   | 10 | 46 |
| 11 | 48,7           | 45,07          | PS 09011 | 29   | 10 | 25 | PD 09011 | 32   | 12 | 35 | PT 09011 | 32   | 14 | 50 |
| 12 | 53,0           | 49,07          | PS 09012 | 33   | 10 | 28 | PD 09012 | 35   | 12 | 35 | PT 09012 | 35   | 14 | 50 |
| 13 | 57,4           | 53,06          | PS 09013 | 37   | 10 | 28 | PD 09013 | 38   | 12 | 35 | PT 09013 | 38   | 14 | 50 |
| 14 | 61,8           | 57,07          | PS 09014 | 41   | 10 | 28 | PD 09014 | 42   | 12 | 35 | PT 09014 | 42   | 14 | 50 |
| 15 | 65,5           | 61,09          | PS 09015 | 45   | 10 | 28 | PD 09015 | 46   | 12 | 35 | PT 09015 | 46   | 14 | 50 |
| 16 | 69,5           | 65,10          | PS 09016 | 50   | 12 | 28 | PD 09016 | 50   | 14 | 35 | PT 09016 | 50   | 16 | 50 |
| 17 | 73,6           | 69,11          | PS 09017 | 52   | 12 | 28 | PD 09017 | 54   | 14 | 35 | PT 09017 | 54   | 16 | 50 |
| 18 | 77,8           | 73,14          | PS 09018 | 56   | 12 | 28 | PD 09018 | 58   | 14 | 35 | PT 09018 | 58   | 16 | 50 |
| 19 | 81,7           | 77,16          | PS 09019 | 60   | 12 | 28 | PD 09019 | 62   | 14 | 35 | PT 09019 | 62   | 16 | 50 |
| 20 | 85,8           | 81,19          | PS 09020 | 64   | 12 | 28 | PD 09020 | 66   | 14 | 35 | PT 09020 | 66   | 16 | 50 |
| 21 | 89,7           | 85,22          | PS 09021 | 68   | 12 | 28 | PD 09021 | 70   | 16 | 40 | PT 09021 | 70   | 20 | 55 |
| 22 | 93,8           | 89,24          | PS 09022 | 70   | 12 | 28 | PD 09022 | 70   | 16 | 40 | PT 09022 | 70   | 20 | 55 |
| 23 | 98,2           | 93,27          | PS 09023 | 70   | 14 | 28 | PD 09023 | 70   | 16 | 40 | PT 09023 | 70   | 20 | 55 |
| 24 | 101,8          | 97,29          | PS 09024 | 70   | 14 | 28 | PD 09024 | 75   | 16 | 40 | PT 09024 | 75   | 20 | 55 |
| 25 | 105,8          | 101,33         | PS 09025 | 70   | 14 | 28 | PD 09025 | 80   | 16 | 40 | PT 09025 | 80   | 20 | 55 |
| 26 | 110,0          | 105,36         | PS 09026 | 70   | 16 | 30 | PD 09026 | 85   | 20 | 40 | PT 09026 | 85   | 20 | 55 |
| 27 | 114,0          | 109,40         | PS 09027 | 70   | 16 | 30 | PD 09027 | 85   | 20 | 40 | PT 09027 | 85   | 20 | 55 |
| 28 | 118,0          | 113,42         | PS 09028 | 70   | 16 | 30 | PD 09028 | 90   | 20 | 40 | PT 09028 | 90   | 20 | 55 |
| 29 | 122,0          | 117,46         | PS 09029 | 80   | 16 | 30 | PD 09029 | 95   | 20 | 40 | PT 09029 | 95   | 20 | 55 |
| 30 | 126,1          | 121,50         | PS 09030 | 80   | 16 | 30 | PD 09030 | 100  | 20 | 40 | PT 09030 | 100  | 20 | 55 |
| 31 | 130,2          | 125,54         | PS 09031 | 90   | 16 | 30 | PD 09031 | 100  | 20 | 40 | PT 09031 | 110  | 20 | 55 |
| 32 | 134,3          | 129,56         | PS 09032 | 90   | 16 | 30 | PD 09032 | 100  | 20 | 40 | PT 09032 | 110  | 20 | 55 |
| 33 | 138,4          | 133,60         | PS 09033 | 90   | 16 | 30 | PD 09033 | 100  | 20 | 40 | PT 09033 | 110  | 20 | 55 |
| 34 | 142,6          | 137,64         | PS 09034 | 90   | 16 | 30 | PD 09034 | 100  | 20 | 40 | PT 09034 | 110  | 20 | 55 |
| 35 | 146,7          | 141,68         | PS 09035 | 90   | 16 | 30 | PD 09035 | 100  | 20 | 40 | PT 09035 | 110  | 20 | 55 |
| 36 | 151,0          | 145,72         | PS 09036 | 90   | 16 | 35 | PD 09036 | 110  | 20 | 40 | PT 09036 | 120  | 25 | 55 |
| 37 | 154,6          | 149,76         | PS 09037 | 90   | 16 | 35 | PD 09037 | 110  | 20 | 40 | PT 09037 | 120  | 25 | 55 |
| 38 | 158,6          | 153,80         | PS 09038 | 90   | 16 | 35 | PD 09038 | 110  | 20 | 40 | PT 09038 | 120  | 25 | 55 |
| 39 | 162,7          | 157,83         | PS 09039 | 90   | 16 | 35 | PD 09039 | 110  | 20 | 40 | PT 09039 | 120  | 25 | 55 |
| 40 | 166,8          | 161,87         | PS 09040 | 90   | 16 | 35 | PD 09040 | 110  | 20 | 40 | PT 09040 | 120  | 25 | 55 |
| 42 | 175,4          | 169,95         | PS 09042 | 88*  | 20 | 42 | PD 09042 | 108* | 20 | 55 |          |      |    |    |
| 45 | 188,0          | 182,07         | PS 09045 | 88*  | 20 | 42 | PD 09045 | 108* | 20 | 55 | PT 09045 | 120* | 25 | 68 |
| 46 | 192,1          | 186,10         | PS 09046 | 88*  | 20 | 42 | PD 09046 | 108* | 20 | 55 |          |      |    |    |
| 48 | 200,3          | 194,18         | PS 09048 | 88*  | 20 | 42 | PD 09048 | 108* | 20 | 55 |          |      |    |    |
| 50 | 208,3          | 202,26         | PS 09050 | 88*  | 20 | 42 | PD 09050 | 108* | 20 | 55 | PT 09050 | 120* | 25 | 68 |
| 55 | 228,1          | 222,46         | PS 09055 | 88*  | 20 | 42 |          |      |    |    |          |      |    |    |
| 57 | 236,4          | 230,54         | PS 09057 | 88*  | 20 | 42 | PD 09057 | 108* | 25 | 55 | PT 09057 | 120* | 25 | 68 |
| 60 | 248,6          | 242,66         | PS 09060 | 88*  | 20 | 42 | PD 09060 | 108* | 25 | 55 | PT 09060 | 120* | 25 | 68 |
| 76 | 313,3          | 307,33         | PS 09076 | 88*  | 25 | 42 | PD 09076 | 108* | 25 | 55 | PT 90076 | 120* | 25 | 68 |
| 95 | 390,1          | 384,11         | PS 09095 | 108* | 25 | 42 | PD 09095 | 120* | 25 | 55 | PT 09095 | 136* | 25 | 68 |



# Pignoni / Sprockets Kettenräder mit Nabe / Pignons / Piñones

Pignoni per catene semplici, doppie e triple a rulli secondo: DIN 8187 - ISO/R 606

Sprockets for simplex, duplex and triplex chain to: DIN 8187 - ISO/R 606

Kettenräder mit einseitiger Nabe für Simplex- Duplex- Triplex-Rollenkette nach: DIN 8187 - ISO/R 606

Pignons avec moyeu déporté pour chaînes simples, doubles et triples à rouleaux suivant les normes: DIN 8187 - ISO/R 606

Piñones para cadena simple, doble y triple de rodillos según las normas: DIN 8187 - ISO/R 606



5/8" x 3/8"

10B - 1-2-3 15,875 x 9,65 mm

| CATENA            | CHAIN          | KETTE         | CHAÎNE             | CADENA        | ISO mm |
|-------------------|----------------|---------------|--------------------|---------------|--------|
| Passo             | Pitch          | Teilung       | Pas                | Paso          | 15,875 |
| Larghezza interna | Internal width | Innere Breite | Largeur interieure | Ancho interno | 9,650  |
| Rullo ø           | Roller ø       | Rollen ø      | ø du rouleau       | Rodillo ø     | 10,16  |

| PIGNONE                     | SPROCKETS                  | KETTENRÄDER               | PIGNONS                         | PIÑONES                     | ISO mm              |
|-----------------------------|----------------------------|---------------------------|---------------------------------|-----------------------------|---------------------|
| Raggio dente r              | Tooth radius r             | Radius r                  | Rayon de denture r              | Radio diente r              | r 16,0              |
| Larghezza raggio C          | Radius width C             | Breite C                  | Largeur de rayon C              | Ancho radio C               | C 1,6               |
| Largh. dente h <sub>1</sub> | Tooth width h <sub>1</sub> | Zahnbreite h <sub>1</sub> | Larg. de denture h <sub>1</sub> | Ancho diente h <sub>1</sub> | h <sub>1</sub> 9,1  |
| Largh. dente L              | Tooth width L              | Zahnbreite L              | Larg. de denture L              | Ancho diente L              | L 9,0               |
| Largh. dente h <sub>2</sub> | Tooth width h <sub>2</sub> | Zahnbreite h <sub>2</sub> | Larg. de denture h <sub>2</sub> | Ancho diente h <sub>2</sub> | h <sub>2</sub> 25,5 |
| Largh. dente h <sub>3</sub> | Tooth width h <sub>3</sub> | Zahnbreite h <sub>3</sub> | Larg. de denture h <sub>3</sub> | Ancho diente h <sub>3</sub> | h <sub>3</sub> 42,1 |
| Altezza totale H            | Full height H              | Gesamt Höhe H             | Hauteur totale H                | Altura total H              | H -                 |

**Materiale C45E**  
**UNI EN 10083-1**

\*Tipi costruiti con mozzo saldato: materiale Fe

**Material C45E**  
**UNI EN 10083-1**

\*With welded hub: material Fe

**Werkstoff C45E**  
**UNI EN 10083-1**

\*Typen mit eingeschweisster Nabe: Werkstoff Fe

**Matière C45E**  
**UNI EN 10083-1**

\*Tipos avec moyeu soudé: matière Fe

**Material C45E**  
**UNI EN 10083-1**

\*Tipos con nucleo soldado: material Fe

| Z  | D <sub>s</sub> | D <sub>p</sub> | Simplex  |      |    |    | Duplex   |      |    |    | Triplex  |      |    |    |
|----|----------------|----------------|----------|------|----|----|----------|------|----|----|----------|------|----|----|
|    |                |                | cod.     | d    | D  | H  | cod.     | d    | D  | H  | cod.     | d    | D  | H  |
| 8  | 47,0           | 41,48          | PS 10008 | 25   | 10 | 25 | PD 10008 | 25   | 12 | 40 | PT 10008 | 25   | 12 | 55 |
| 9  | 52,6           | 46,42          | PS 10009 | 30   | 10 | 25 | PD 10009 | 30   | 12 | 40 | PT 10009 | 30   | 12 | 55 |
| 10 | 57,5           | 51,37          | PS 10010 | 35   | 10 | 25 | PD 10010 | 35   | 12 | 40 | PT 10010 | 35   | 16 | 55 |
| 11 | 63,0           | 56,34          | PS 10011 | 37   | 12 | 30 | PD 10011 | 39   | 14 | 40 | PT 10011 | 39   | 16 | 55 |
| 12 | 68,0           | 61,34          | PS 10012 | 42   | 12 | 30 | PD 10012 | 44   | 14 | 40 | PT 10012 | 44   | 16 | 55 |
| 13 | 73,0           | 66,32          | PS 10013 | 47   | 12 | 30 | PD 10013 | 49   | 14 | 40 | PT 10013 | 49   | 16 | 55 |
| 14 | 78,0           | 71,34          | PS 10014 | 52   | 12 | 30 | PD 10014 | 54   | 14 | 40 | PT 10014 | 54   | 16 | 55 |
| 15 | 83,0           | 76,36          | PS 10015 | 57   | 12 | 30 | PD 10015 | 59   | 14 | 40 | PT 10015 | 59   | 16 | 55 |
| 16 | 88,0           | 81,37          | PS 10016 | 60   | 12 | 30 | PD 10016 | 64   | 16 | 45 | PT 10016 | 64   | 16 | 60 |
| 17 | 93,0           | 86,39          | PS 10017 | 60   | 12 | 30 | PD 10017 | 69   | 16 | 45 | PT 10017 | 69   | 16 | 60 |
| 18 | 98,3           | 91,42          | PS 10018 | 70   | 14 | 30 | PD 10018 | 74   | 16 | 45 | PT 10018 | 74   | 16 | 60 |
| 19 | 103,3          | 96,45          | PS 10019 | 70   | 14 | 30 | PD 10019 | 79   | 16 | 45 | PT 10019 | 79   | 16 | 60 |
| 20 | 108,4          | 101,49         | PS 10020 | 75   | 14 | 30 | PD 10020 | 84   | 16 | 45 | PT 10020 | 84   | 16 | 60 |
| 21 | 113,4          | 106,52         | PS 10021 | 75   | 16 | 30 | PD 10021 | 85   | 16 | 45 | PT 10021 | 85   | 20 | 60 |
| 22 | 118,0          | 111,55         | PS 10022 | 80   | 16 | 30 | PD 10022 | 90   | 16 | 45 | PT 10022 | 90   | 20 | 60 |
| 23 | 123,4          | 116,58         | PS 10023 | 80   | 16 | 30 | PD 10023 | 95   | 16 | 45 | PT 10023 | 95   | 20 | 60 |
| 24 | 128,3          | 121,62         | PS 10024 | 80   | 16 | 30 | PD 10024 | 100  | 16 | 45 | PT 10024 | 100  | 20 | 60 |
| 25 | 134,0          | 126,66         | PS 10025 | 80   | 16 | 30 | PD 10025 | 105  | 16 | 45 | PT 10025 | 105  | 20 | 60 |
| 26 | 139,0          | 131,70         | PS 10026 | 85   | 20 | 35 | PD 10026 | 110  | 20 | 45 | PT 10026 | 110  | 20 | 60 |
| 27 | 144,0          | 136,75         | PS 10027 | 85   | 20 | 35 | PD 10027 | 110  | 20 | 45 | PT 10027 | 110  | 20 | 60 |
| 28 | 148,7          | 141,78         | PS 10028 | 90   | 20 | 35 | PD 10028 | 115  | 20 | 45 | PT 10028 | 115  | 20 | 60 |
| 29 | 153,8          | 146,83         | PS 10029 | 90   | 20 | 35 | PD 10029 | 115  | 20 | 45 | PT 10029 | 115  | 20 | 60 |
| 30 | 158,8          | 151,87         | PS 10030 | 90   | 20 | 35 | PD 10030 | 120  | 20 | 45 | PT 10030 | 120  | 20 | 60 |
| 31 | 163,9          | 156,92         | PS 10031 | 95   | 20 | 35 | PD 10031 | 120  | 20 | 45 | PT 10031 | 120  | 20 | 60 |
| 32 | 168,9          | 161,95         | PS 10032 | 95   | 20 | 35 | PD 10032 | 120  | 20 | 45 | PT 10032 | 120  | 20 | 60 |
| 33 | 174,5          | 167,00         | PS 10033 | 95   | 20 | 35 | PD 10033 | 120  | 20 | 45 | PT 10033 | 120  | 20 | 60 |
| 34 | 179,0          | 172,05         | PS 10034 | 95   | 20 | 35 | PD 10034 | 120  | 20 | 45 | PT 10034 | 120  | 20 | 60 |
| 35 | 184,1          | 177,10         | PS 10035 | 95   | 20 | 35 | PD 10035 | 120  | 20 | 45 | PT 10035 | 120  | 20 | 60 |
| 36 | 189,1          | 182,15         | PS 10036 | 100  | 20 | 35 | PD 10036 | 120  | 20 | 45 | PT 10036 | 120  | 25 | 60 |
| 37 | 194,2          | 187,20         | PS 10037 | 100  | 20 | 35 | PD 10037 | 120  | 20 | 45 | PT 10037 | 120  | 25 | 60 |
| 38 | 199,2          | 192,24         | PS 10038 | 100  | 20 | 35 | PD 10038 | 120  | 20 | 45 | PT 10038 | 120  | 25 | 60 |
| 39 | 204,2          | 197,29         | PS 10039 | 100  | 20 | 35 | PD 10039 | 120  | 20 | 45 | PT 10039 | 120  | 25 | 60 |
| 40 | 209,3          | 202,34         | PS 10040 | 100  | 20 | 35 | PD 10040 | 120  | 20 | 45 | PT 10040 | 120  | 25 | 60 |
| 42 | 219,9          | 212,44         | PS 10042 | 108* | 20 | 43 | PD 10042 | 120* | 25 | 59 |          |      |    |    |
| 45 | 235,0          | 227,58         | PS 10045 | 108* | 20 | 43 | PD 10045 | 120* | 25 | 59 | PT 10045 | 136* | 25 | 74 |
| 46 | 240,1          | 232,63         | PS 10046 | 108* | 20 | 43 | PD 10046 | 120* | 25 | 59 |          |      |    |    |
| 48 | 250,2          | 242,73         | PS 10048 | 108* | 20 | 43 | PD 10048 | 120* | 25 | 59 |          |      |    |    |
| 50 | 260,3          | 252,82         | PS 10050 | 108* | 20 | 43 | PD 10050 | 120* | 25 | 59 | PT 10050 | 136* | 25 | 74 |
| 55 | 285,5          | 278,08         | PS 10055 | 108* | 20 | 43 | PD 10055 | 120* | 25 | 59 |          |      |    |    |
| 57 | 296,0          | 288,18         | PS 10057 | 108* | 25 | 43 | PD 10057 | 120* | 25 | 59 | PT 10057 | 136* | 25 | 74 |
| 60 | 310,8          | 303,32         | PS 10060 | 108* | 25 | 43 | PD 10060 | 120* | 25 | 59 | PT 10060 | 136* | 25 | 74 |
| 76 | 392,1          | 384,16         | PS 10076 | 108* | 25 | 43 | PD 10076 | 120* | 25 | 59 | PT 10076 | 145* | 30 | 75 |
| 95 | 488,5          | 480,14         | PS 10095 | 118* | 30 | 59 | PD 10095 | 145* | 30 | 58 | PT 10095 | 145* | 30 | 75 |



# Pignoni / Sprockets

## Kettenräder mit Nabe / Pignons / Piñones

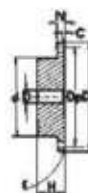
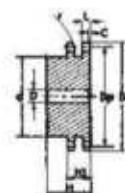
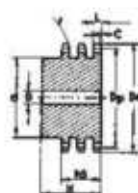
Pignoni per catene semplici, doppie e triple a rulli secondo: DIN 8187 - ISO/R 606

Sprockets for simplex, duplex and triplex chain to: DIN 8187 - ISO/R 606

Kettenräder mit einseitiger Nabe für Simplex- Duplex- Triplex-Rollenkette nach: DIN 8187 - ISO/R 606

Pignons avec moyeu déporté pour chaînes simples, doubles et triples à rouleaux suivant les normes: DIN 8187 - ISO/R 606

Piñones para cadena simple, doble y triple de rodillos según las normas: DIN 8187 - ISO/R 606



3/4" x 7/16"

12B - 1-2-3 19,05 x 11,68 mm

| CATENA            | CHAIN          | KETTE         | CHAÎNE             | CADENA        | ISO mm |
|-------------------|----------------|---------------|--------------------|---------------|--------|
| Passo             | Pitch          | Teilung       | Pas                | Paso          | 19,05  |
| Larghezza interna | Internal width | Innere Breite | Largeur interieure | Ancho interno | 11,68  |
| Rullo ø           | Roller ø       | Rollen ø      | ø du rouleau       | Rodillo ø     | 12,07  |

| PIGNONE                     | SPROCKETS                  | KETTENRÄDER               | PIGNONS                         | PIÑONES                     | ISO mm              |
|-----------------------------|----------------------------|---------------------------|---------------------------------|-----------------------------|---------------------|
| Raggio dente r              | Tooth radius r             | Radius r                  | Rayon de denture r              | Radio diente r              | r 19,0              |
| Larghezza raggio C          | Radius width C             | Breite C                  | Largeur de rayon C              | Ancho radio C               | C 2,0               |
| Largh. dente h <sub>1</sub> | Tooth width h <sub>1</sub> | Zahnbreite h <sub>1</sub> | Larg. de denture h <sub>1</sub> | Ancho diente h <sub>1</sub> | h <sub>1</sub> 11,1 |
| Largh. dente L              | Tooth width L              | Zahnbreite L              | Larg. de denture L              | Ancho diente L              | L 10,8              |
| Largh. dente h <sub>2</sub> | Tooth width h <sub>2</sub> | Zahnbreite h <sub>2</sub> | Larg. de denture h <sub>2</sub> | Ancho diente h <sub>2</sub> | h <sub>2</sub> 30,3 |
| Largh. dente h <sub>3</sub> | Tooth width h <sub>3</sub> | Zahnbreite h <sub>3</sub> | Larg. de denture h <sub>3</sub> | Ancho diente h <sub>3</sub> | h <sub>3</sub> 49,8 |
| Altezza totale H            | Full height H              | Gesamt Höhe H             | Hauteur totale H                | Altura total H              | H -                 |

**Materiale C45E**  
UNI EN 10083-1

\*Tipi costruiti con mozzo saldato: materiale Fe

**Material C45E**  
UNI EN 10083-1

\*With welded hub: material Fe

**Werkstoff C45E**  
UNI EN 10083-1

\*Typen mit eingeschweisster Nabe: Werkstoff Fe

**Matière C45E**  
UNI EN 10083-1

\*Tipos avec moyeu soudé: matière Fe

**Material C45E**  
UNI EN 10083-1

\*Tipos con nucleo soldado: material Fe

| Z  | D <sub>s</sub> | D <sub>p</sub> | Simplex  |      |    |    | Duplex   |      |    |    | Triplex  |      |    |    |
|----|----------------|----------------|----------|------|----|----|----------|------|----|----|----------|------|----|----|
|    |                |                | cod.     | d    | D  | H  | cod.     | d    | D  | H  | cod.     | d    | D  | H  |
| 8  | 57,6           | 49,78          | PS 11008 | 31   | 12 | 30 | PD 11008 | 31   | 12 | 45 | PT 11008 | 31   | 16 | 65 |
| 9  | 62,0           | 55,70          | PS 11009 | 37   | 12 | 30 | PD 11009 | 37   | 12 | 45 | PT 11009 | 37   | 16 | 65 |
| 10 | 69,0           | 61,64          | PS 11010 | 42   | 12 | 30 | PD 11010 | 42   | 12 | 45 | PT 11010 | 42   | 16 | 65 |
| 11 | 75,0           | 67,61          | PS 11011 | 46   | 14 | 35 | PD 11011 | 47   | 16 | 50 | PT 11011 | 47   | 20 | 70 |
| 12 | 81,5           | 73,60          | PS 11012 | 52   | 14 | 35 | PD 11012 | 53   | 16 | 50 | PT 11012 | 53   | 20 | 70 |
| 13 | 87,5           | 79,59          | PS 11013 | 58   | 14 | 35 | PD 11013 | 59   | 16 | 50 | PT 11013 | 59   | 20 | 70 |
| 14 | 93,6           | 85,61          | PS 11014 | 64   | 14 | 35 | PD 11014 | 65   | 16 | 50 | PT 11014 | 65   | 20 | 70 |
| 15 | 99,8           | 91,63          | PS 11015 | 70   | 14 | 35 | PD 11015 | 71   | 16 | 50 | PT 11015 | 71   | 20 | 70 |
| 16 | 105,5          | 97,65          | PS 11016 | 75   | 16 | 35 | PD 11016 | 77   | 20 | 50 | PT 11016 | 77   | 20 | 70 |
| 17 | 111,5          | 103,67         | PS 11017 | 80   | 16 | 35 | PD 11017 | 83   | 20 | 50 | PT 11017 | 83   | 20 | 70 |
| 18 | 118,0          | 109,71         | PS 11018 | 80   | 16 | 35 | PD 11018 | 89   | 20 | 50 | PT 11018 | 89   | 20 | 70 |
| 19 | 124,2          | 115,75         | PS 11019 | 80   | 16 | 35 | PD 11019 | 95   | 20 | 50 | PT 11019 | 95   | 20 | 70 |
| 20 | 129,7          | 121,78         | PS 11020 | 80   | 16 | 35 | PD 11020 | 100  | 20 | 50 | PT 11020 | 100  | 20 | 70 |
| 21 | 136,0          | 127,82         | PS 11021 | 90   | 20 | 40 | PD 11021 | 100  | 20 | 50 | PT 11021 | 100  | 20 | 70 |
| 22 | 141,8          | 133,86         | PS 11022 | 90   | 20 | 40 | PD 11022 | 100  | 20 | 50 | PT 11022 | 100  | 20 | 70 |
| 23 | 149,0          | 139,90         | PS 11023 | 90   | 20 | 40 | PD 11023 | 110  | 20 | 50 | PT 11023 | 110  | 20 | 70 |
| 24 | 153,9          | 145,94         | PS 11024 | 90   | 20 | 40 | PD 11024 | 110  | 20 | 50 | PT 11024 | 110  | 20 | 70 |
| 25 | 160,0          | 152,00         | PS 11025 | 90   | 20 | 40 | PD 11025 | 120  | 20 | 50 | PT 11025 | 120  | 20 | 70 |
| 26 | 165,9          | 158,04         | PS 11026 | 95   | 20 | 40 | PD 11026 | 120  | 20 | 50 | PT 11026 | 120  | 20 | 70 |
| 27 | 172,3          | 164,09         | PS 11027 | 95   | 20 | 40 | PD 11027 | 120  | 20 | 50 | PT 11027 | 120  | 20 | 70 |
| 28 | 178,0          | 170,13         | PS 11028 | 95   | 20 | 40 | PD 11028 | 120  | 20 | 50 | PT 11028 | 120  | 20 | 70 |
| 29 | 184,1          | 176,19         | PS 11029 | 95   | 20 | 40 | PD 11029 | 120  | 20 | 50 | PT 11029 | 120  | 20 | 70 |
| 30 | 190,5          | 182,25         | PS 11030 | 95   | 20 | 40 | PD 11030 | 120  | 20 | 50 | PT 11030 | 120  | 20 | 70 |
| 31 | 196,3          | 188,31         | PS 11031 | 100  | 20 | 40 | PD 11031 | 130  | 20 | 50 | PT 11031 | 130  | 25 | 70 |
| 32 | 203,3          | 194,35         | PS 11032 | 100  | 20 | 40 | PD 11032 | 130  | 20 | 50 | PT 11032 | 130  | 25 | 70 |
| 33 | 209,3          | 200,40         | PS 11033 | 100  | 20 | 40 | PD 11033 | 130  | 20 | 50 | PT 11033 | 130  | 25 | 70 |
| 34 | 214,6          | 206,46         | PS 11034 | 100  | 20 | 40 | PD 11034 | 130  | 20 | 50 | PT 11034 | 130  | 25 | 70 |
| 35 | 221,0          | 212,52         | PS 11035 | 100  | 20 | 40 | PD 11035 | 130  | 20 | 50 | PT 11035 | 130  | 25 | 70 |
| 36 | 226,8          | 218,58         | PS 11036 | 100  | 20 | 40 | PD 11036 | 130  | 25 | 50 | PT 11036 | 130  | 25 | 70 |
| 37 | 232,9          | 224,64         | PS 11037 | 100  | 20 | 40 | PD 11037 | 130  | 25 | 50 | PT 11037 | 130  | 25 | 70 |
| 38 | 239,0          | 230,69         | PS 11038 | 100  | 20 | 40 | PD 11038 | 130  | 25 | 50 | PT 11038 | 130  | 25 | 70 |
| 39 | 245,1          | 236,75         | PS 11039 | 100  | 20 | 40 | PD 11039 | 130  | 25 | 50 | PT 11039 | 130  | 25 | 70 |
| 40 | 251,3          | 242,81         | PS 11040 | 100  | 20 | 40 | PD 11040 | 130  | 25 | 50 | PT 11040 | 130  | 25 | 70 |
| 42 | 264,5          | 254,93         | PS 11042 | 118* | 25 | 61 | PD 11042 | 136* | 25 | 62 |          |      |    |    |
| 45 | 282,5          | 273,10         | PS 11045 | 118* | 25 | 61 | PD 11045 | 136* | 25 | 62 | PT 11045 | 140* | 25 | 72 |
| 46 | 287,9          | 279,16         | PS 11046 | 118* | 25 | 61 | PD 11046 | 136* | 25 | 62 |          |      |    |    |
| 48 | 300,1          | 291,27         | PS 11048 | 118* | 25 | 61 | PD 11048 | 136* | 25 | 62 |          |      |    |    |
| 50 | 312,3          | 303,39         | PS 11050 | 118* | 25 | 61 | PD 11050 | 136* | 25 | 62 | PT 11050 | 140* | 25 | 72 |
| 55 | 342,7          | 333,70         | PS 11055 | 118* | 25 | 61 | PD 11055 | 136* | 25 | 62 |          |      |    |    |
| 57 | 355,4          | 345,81         | PS 11057 | 118* | 25 | 61 | PD 11057 | 136* | 25 | 62 | PT 11057 | 140* | 30 | 75 |
| 60 | 373,0          | 363,99         | PS 11060 | 118* | 25 | 61 | PD 11060 | 136* | 25 | 62 | PT 11060 | 140* | 30 | 75 |
| 76 | 469,9          | 460,99         | PS 11076 | 118* | 30 | 61 | PD 11076 | 145* | 30 | 63 | PT 11076 | 150* | 30 | 75 |
| 95 | 585,1          | 576,17         | PS 11095 | 133* | 30 | 62 | PD 11095 | 145* | 30 | 63 | PT 11095 | 150* | 30 | 75 |

# Pignoni / Sprockets Kettenräder mit Nabe / Pignons / Piñones

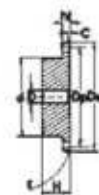
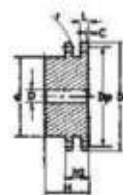
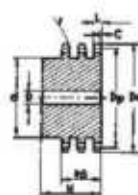
Pignoni per catene semplici, doppie e triple a rulli secondo: DIN 8187 - ISO/R 606

Sprockets for simplex, duplex and triplex chain to: DIN 8187 - ISO/R 606

Kettenräder mit einseitiger Nabe für Simplex- Duplex- Triplex-Rollenkette nach: DIN 8187 - ISO/R 606

Pignons avec moyeu déporté pour chaînes simples, doubles et triples à rouleaux suivant les normes: DIN 8187 - ISO/R 606

Piñones para cadena simple, doble y triple de rodillos segun las normas: DIN 8187 - ISO/R 606



1" x 17,02 mm

16B - 1-2-3 25,4 x 17,02 mm

| CATENA                      | CHAIN                      | KETTE                     | CHAINE                          | CADENA                      | ISO mm              |
|-----------------------------|----------------------------|---------------------------|---------------------------------|-----------------------------|---------------------|
| Passo                       | Pitch                      | Teilung                   | Pas                             | Paso                        | 25,40               |
| Larghezza interna           | Internal width             | Innere Breite             | Largeur interieure              | Ancho interno               | 17,02               |
| Rullo ø                     | Roller ø                   | Rollen ø                  | ø du rouleau                    | Rodillo ø                   | 15,88               |
| PIGNONE                     | SPROCKETS                  | KETTENRÄDER               | PIGNONS                         | PIÑONES                     | ISO mm              |
| Raggio dente r              | Tooth radius r             | Radius r                  | Rayon de denture r              | Radio diente r              | r 26,0              |
| Larghezza raggio C          | Radius width C             | Breite C                  | Largeur de rayon C              | Ancho radio C               | C 2,5               |
| Largh. dente h <sub>1</sub> | Tooth width h <sub>1</sub> | Zahnbreite h <sub>1</sub> | Larg. de denture h <sub>1</sub> | Ancho diente h <sub>1</sub> | h <sub>1</sub> 16,2 |
| Largh. dente L              | Tooth width L              | Zahnbreite L              | Larg. de denture L              | Ancho diente L              | L 15,8              |
| Largh. dente h <sub>2</sub> | Tooth width h <sub>2</sub> | Zahnbreite h <sub>2</sub> | Larg. de denture h <sub>2</sub> | Ancho diente h <sub>2</sub> | h <sub>2</sub> 47,7 |
| Largh. dente h <sub>3</sub> | Tooth width h <sub>3</sub> | Zahnbreite h <sub>3</sub> | Larg. de denture h <sub>3</sub> | Ancho diente h <sub>3</sub> | h <sub>3</sub> 79,6 |
| Altezza totale H            | Full height H              | Gesamt Höhe H             | Hauteur totale H                | Altura total H              | H -                 |

**Materiale C45E**  
UNI EN 10083-1

**Material C45E**  
UNI EN 10083-1

**Werkstoff C45E**  
UNI EN 10083-1

**Matière C45E**  
UNI EN 10083-1

**Material C45E**  
UNI EN 10083-1

\*Tipi costruiti con mozzo saldato: materiale Fe

\*With welded hub: material Fe

\*Typen mit eingeschweisster Nabe: Werkstoff Fe

\*Types avec moyeu soudé: matière Fe

\*Tipos con nucleo soldado: material Fe

| Z  | D <sub>s</sub> | D <sub>p</sub> | Simplex  |      |    |    | Duplex   |      |    |     | Triplex  |      |    |     |
|----|----------------|----------------|----------|------|----|----|----------|------|----|-----|----------|------|----|-----|
|    |                |                | cod.     | d    | D  | H  | cod.     | d    | D  | H   | cod.     | d    | D  | H   |
| 8  | 77,0           | 66,37          | PS 12008 | 42   | 16 | 35 | PD 12008 | 42   | 16 | 65  | PT 12008 | 42   | 20 | 95  |
| 9  | 85,0           | 74,27          | PS 12009 | 50   | 16 | 35 | PD 12009 | 50   | 16 | 65  | PT 12009 | 50   | 20 | 95  |
| 10 | 93,0           | 82,19          | PS 12010 | 55   | 16 | 35 | PD 12010 | 56   | 16 | 65  | PT 12010 | 56   | 20 | 95  |
| 11 | 99,5           | 90,14          | PS 12011 | 61   | 16 | 40 | PD 12011 | 64   | 20 | 70  | PT 12011 | 64   | 25 | 100 |
| 12 | 109,0          | 98,14          | PS 12012 | 69   | 16 | 40 | PD 12012 | 72   | 20 | 70  | PT 12012 | 72   | 25 | 100 |
| 13 | 117,0          | 106,12         | PS 12013 | 78   | 16 | 40 | PD 12013 | 80   | 20 | 70  | PT 12013 | 80   | 25 | 100 |
| 14 | 125,0          | 114,15         | PS 12014 | 84   | 16 | 40 | PD 12014 | 88   | 20 | 70  | PT 12014 | 88   | 25 | 100 |
| 15 | 133,0          | 122,17         | PS 12015 | 92   | 16 | 40 | PD 12015 | 96   | 20 | 70  | PT 12015 | 96   | 25 | 100 |
| 16 | 141,0          | 130,20         | PS 12016 | 100  | 20 | 45 | PD 12016 | 104  | 20 | 70  | PT 12016 | 104  | 30 | 100 |
| 17 | 149,0          | 138,22         | PS 12017 | 100  | 20 | 45 | PD 12017 | 112  | 20 | 70  | PT 12017 | 112  | 30 | 100 |
| 18 | 157,0          | 146,28         | PS 12018 | 100  | 20 | 45 | PD 12018 | 120  | 20 | 70  | PT 12018 | 120  | 30 | 100 |
| 19 | 165,2          | 154,33         | PS 12019 | 100  | 20 | 45 | PD 12019 | 128  | 20 | 70  | PT 12019 | 128  | 30 | 100 |
| 20 | 173,2          | 162,38         | PS 12020 | 100  | 20 | 45 | PD 12020 | 130  | 20 | 70  | PT 12020 | 130  | 30 | 100 |
| 21 | 181,2          | 170,43         | PS 12021 | 110  | 20 | 50 | PD 12021 | 130  | 25 | 70  | PT 12021 | 130* | 30 | 100 |
| 22 | 189,3          | 178,48         | PS 12022 | 110  | 20 | 50 | PD 12022 | 130* | 25 | 70  | PT 12022 | 130* | 30 | 100 |
| 23 | 197,5          | 186,53         | PS 12023 | 110  | 20 | 50 | PD 12023 | 130* | 25 | 70  | PT 12023 | 130* | 30 | 100 |
| 24 | 205,5          | 194,59         | PS 12024 | 110  | 20 | 50 | PD 12024 | 130* | 25 | 70  | PT 12024 | 130* | 30 | 100 |
| 25 | 213,5          | 202,66         | PS 12025 | 110  | 20 | 50 | PD 12025 | 130* | 25 | 70  | PT 12025 | 130* | 30 | 100 |
| 26 | 221,6          | 210,72         | PS 12026 | 120  | 20 | 50 | PD 12026 | 130* | 25 | 70  | PT 12026 | 130* | 30 | 100 |
| 27 | 229,6          | 218,79         | PS 12027 | 120  | 20 | 50 | PD 12027 | 130* | 25 | 70  | PT 12027 | 130* | 30 | 100 |
| 28 | 237,7          | 226,85         | PS 12028 | 120  | 20 | 50 | PD 12028 | 130* | 25 | 70  | PT 12028 | 130* | 30 | 100 |
| 29 | 245,8          | 234,92         | PS 12029 | 120  | 20 | 50 | PD 12029 | 130* | 25 | 70  | PT 12029 | 130* | 30 | 100 |
| 30 | 254,0          | 243,00         | PS 12030 | 120  | 20 | 50 | PD 12030 | 130* | 25 | 70  | PT 12030 | 130* | 30 | 100 |
| 31 | 262,0          | 251,08         | PS 12031 | 120* | 25 | 50 | PD 12031 | 140* | 25 | 70  | PT 12031 | 130* | 30 | 100 |
| 32 | 270,0          | 259,13         | PS 12032 | 120* | 25 | 50 | PD 12032 | 140* | 25 | 70  | PT 12032 | 140* | 30 | 100 |
| 33 | 278,5          | 267,21         | PS 12033 | 120* | 25 | 50 | PD 12033 | 140* | 25 | 70  | PT 12033 | 140* | 30 | 100 |
| 34 | 287,0          | 275,28         | PS 12034 | 120* | 25 | 50 | PD 12034 | 140* | 25 | 70  | PT 12034 | 140* | 30 | 100 |
| 35 | 296,2          | 283,36         | PS 12035 | 120* | 25 | 50 | PD 12035 | 140* | 25 | 70  | PT 12035 | 140* | 30 | 100 |
| 36 | 304,6          | 291,44         | PS 12036 | 120* | 25 | 50 | PD 12036 | 140* | 25 | 70  | PT 12036 | 140* | 30 | 100 |
| 37 | 312,6          | 299,51         | PS 12037 | 120* | 25 | 50 | PD 12037 | 140* | 25 | 70  | PT 12037 | 140* | 30 | 100 |
| 38 | 320,7          | 307,59         | PS 12038 | 120* | 25 | 50 | PD 12038 | 140* | 25 | 70  | PT 12038 | 140* | 30 | 100 |
| 39 | 328,8          | 315,67         | PS 12039 | 120* | 25 | 50 | PD 12039 | 140* | 25 | 70  | PT 12039 | 140* | 30 | 100 |
| 40 | 336,9          | 323,73         | PS 12040 | 120* | 25 | 50 | PD 12040 | 140* | 25 | 70  | PT 12040 | 140* | 30 | 100 |
| 42 | 353,0          | 339,90         | PS 12042 | 133* | 25 | 68 | PD 12042 | 140* | 25 | 70  |          |      |    |     |
| 45 | 377,1          | 364,12         | PS 12045 | 133* | 25 | 68 | PD 12045 | 140* | 25 | 70  | PT12045  | 160* | 30 | 110 |
| 46 | 385,2          | 372,21         | PS 12046 | 133* | 25 | 68 | PD 12046 | 140* | 25 | 70  |          |      |    |     |
| 48 | 401,3          | 388,36         | PS 12048 | 133* | 25 | 68 | PD 12048 | 140* | 25 | 70  |          |      |    |     |
| 50 | 417,4          | 404,52         | PS 12050 | 133* | 25 | 68 | PD 12050 | 140* | 25 | 70  | PT12050  | 160* | 30 | 110 |
| 57 | 474,0          | 461,07         | PS 12057 | 133* | 30 | 68 | PD 12057 | 160* | 40 | 82  | PT12057  | 180* | 40 | 112 |
| 60 | 498,3          | 485,32         | PS 12060 | 133* | 30 | 68 | PD 12060 | 160* | 40 | 82  |          |      |    |     |
| 76 | 627,0          | 614,65         | PS 12076 | 145* | 30 | 68 | PD 12076 | 160* | 40 | 82  | PT12076  | 180* | 40 | 112 |
| 95 | 781,1          | 768,22         | PS 12095 | 160* | 30 | 78 | PD 12095 | 180* | 40 | 109 | PT12095  | 180* | 40 | 112 |



# Pignoni / Sprockets

## Kettenräder mit Nabe / Pignons / Piñones

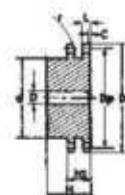
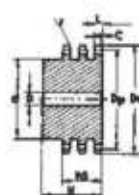
Pignoni per catene semplici, doppie e triple a rulli secondo: DIN 8187 - ISO/R 606

Sprockets for simplex, duplex and triplex chain to: DIN 8187 - ISO/R 606

Kettenräder mit einseitiger Nabe für Simplex- Duplex- Triplex-Rollenkette nach: DIN 8187 - ISO/R 606

Pignons avec moyeu déporté pour chaînes simples, doubles et triples à rouleaux suivant les normes: DIN 8187 - ISO/R 606

Piñones para cadena simple, doble y triple de rodillos según las normas: DIN 8187 - ISO/R 606



1"1/4 x 3/4"

20B - 1-2-3 31,75 x 19,56 mm

| CATENA                      | CHAIN                      | KETTE                     | CHAÎNE                          | CADENA                      | ISO mm              |
|-----------------------------|----------------------------|---------------------------|---------------------------------|-----------------------------|---------------------|
| Passo                       | Pitch                      | Teilung                   | Pas                             | Paso                        | 31,75               |
| Larghezza interna           | Internal width             | Innere Breite             | Largeur interieure              | Ancho interno               | 19,56               |
| Rullo ø                     | Roller ø                   | Rollen ø                  | ø du rouleau                    | Rodillo ø                   | 19,05               |
| PIGNONE                     | SPROCKETS                  | KETTENRÄDER               | PIGNONS                         | PIÑONES                     | ISO mm              |
| Raggio dente r              | Tooth radius r             | Radius r                  | Rayon de denture r              | Radio diente r              | r 32,0              |
| Larghezza raggio C          | Radius width C             | Breite C                  | Largeur de rayon C              | Ancho radio C               | C 3,5               |
| Largh. dente h <sub>1</sub> | Tooth width h <sub>1</sub> | Zahnbreite h <sub>1</sub> | Larg. de denture h <sub>1</sub> | Ancho diente h <sub>1</sub> | h <sub>1</sub> 18,5 |
| Largh. dente L              | Tooth width L              | Zahnbreite L              | Larg. de denture L              | Ancho diente L              | L 18,2              |
| Largh. dente h <sub>2</sub> | Tooth width h <sub>2</sub> | Zahnbreite h <sub>2</sub> | Larg. de denture h <sub>2</sub> | Ancho diente h <sub>2</sub> | h <sub>2</sub> 54,6 |
| Largh. dente h <sub>3</sub> | Tooth width h <sub>3</sub> | Zahnbreite h <sub>3</sub> | Larg. de denture h <sub>3</sub> | Ancho diente h <sub>3</sub> | h <sub>3</sub> 91,0 |
| Altezza totale H            | Full height H              | Gesamt Höhe H             | Hauteur totale H                | Altura total H              | H -                 |

Materiale C45E  
UNI EN 10083-1

Material C45E  
UNI EN 10083-1

Werkstoff C45E  
UNI EN 10083-1

Matière C45E  
UNI EN 10083-1

Material C45E  
UNI EN 10083-1

\*Tipi costruiti con mozzo saldato: materiale Fe

\*With welded hub: material Fe

\*Typen mit eingeschweisster Nabe: Werkstoff Fe

\*Types avec moyeu soudé: matière Fe

\*Tipos con nucleo soldado: material Fe

| Z  | D <sub>i</sub> | D <sub>p</sub> | Simplex  |      |    |    | Duplex   |      |    |     | Triplex  |      |    |     |
|----|----------------|----------------|----------|------|----|----|----------|------|----|-----|----------|------|----|-----|
|    |                |                | cod.     | d    | D  | H  | cod.     | d    | D  | H   | cod.     | d    | D  | H   |
| 8  | 98,1           | 82,96          | PS 13008 | 53   | 20 | 40 | PD 13008 | 53   | 20 | 75  | PT 13008 | 53   | 20 | 110 |
| 9  | 108,0          | 92,84          | PS 13009 | 63   | 20 | 40 | PD 13009 | 63   | 20 | 75  | PT 13009 | 63   | 20 | 110 |
| 10 | 117,9          | 102,74         | PS 13010 | 70   | 20 | 40 | PD 13010 | 70   | 20 | 75  | PT 13010 | 70   | 20 | 110 |
| 11 | 127,8          | 112,68         | PS 13011 | 77   | 20 | 45 | PD 13011 | 80   | 20 | 80  | PT 13011 | 80   | 20 | 115 |
| 12 | 137,8          | 122,68         | PS 13012 | 88   | 20 | 45 | PD 13012 | 90   | 20 | 80  | PT 13012 | 90   | 20 | 115 |
| 13 | 147,8          | 132,65         | PS 13013 | 98   | 20 | 45 | PD 13013 | 100  | 20 | 80  | PT 13013 | 100  | 20 | 115 |
| 14 | 157,8          | 142,68         | PS 13014 | 108  | 20 | 45 | PD 13014 | 110  | 20 | 80  | PT 13014 | 110  | 20 | 115 |
| 15 | 167,9          | 152,72         | PS 13015 | 118  | 20 | 45 | PD 13015 | 120  | 20 | 80  | PT 13015 | 120  | 20 | 115 |
| 16 | 177,9          | 162,75         | PS 13016 | 120  | 25 | 50 | PD 13016 | 120  | 25 | 80  | PT 13016 | 120  | 25 | 115 |
| 17 | 187,9          | 172,78         | PS 13017 | 120  | 25 | 50 | PD 13017 | 120  | 25 | 80  | PT 13017 | 120  | 25 | 115 |
| 18 | 198,0          | 182,85         | PS 13018 | 120  | 25 | 50 | PD 13018 | 120* | 25 | 80  | PT 13018 | 120* | 25 | 115 |
| 19 | 208,1          | 192,91         | PS 13019 | 120  | 25 | 50 | PD 13019 | 120* | 25 | 80  | PT 13019 | 120* | 25 | 115 |
| 20 | 218,1          | 202,98         | PS 13020 | 120  | 25 | 50 | PD 13020 | 120* | 25 | 80  | PT 13020 | 120* | 25 | 115 |
| 21 | 228,2          | 213,04         | PS 13021 | 140  | 25 | 55 | PD 13021 | 140* | 25 | 80  | PT 13021 | 140* | 25 | 115 |
| 22 | 238,3          | 223,11         | PS 13022 | 140  | 25 | 55 | PD 13022 | 140* | 25 | 80  | PT 13022 | 140* | 25 | 115 |
| 23 | 248,3          | 233,17         | PS 13023 | 140  | 25 | 55 | PD 13023 | 140* | 25 | 80  | PT 13023 | 140* | 25 | 115 |
| 24 | 258,4          | 243,23         | PS 13024 | 140  | 25 | 55 | PD 13024 | 140* | 25 | 80  | PT 13024 | 140* | 25 | 115 |
| 25 | 268,5          | 253,33         | PS 13025 | 140  | 25 | 55 | PD 13025 | 140* | 25 | 80  | PT 13025 | 140* | 25 | 115 |
| 26 | 278,6          | 263,40         | PS 13026 | 150* | 25 | 55 | PD 13026 | 150* | 25 | 80  | PT 13026 | 150* | 25 | 115 |
| 27 | 288,6          | 273,48         | PS 13027 | 150* | 25 | 55 | PD 13027 | 150* | 25 | 80  | PT 13027 | 150* | 25 | 115 |
| 28 | 298,7          | 283,56         | PS 13028 | 150* | 25 | 55 | PD 13028 | 150* | 25 | 80  | PT 13028 | 150* | 25 | 115 |
| 29 | 308,8          | 293,65         | PS 13029 | 150* | 25 | 55 | PD 13029 | 150* | 25 | 80  | PT 13029 | 150* | 25 | 115 |
| 30 | 318,9          | 303,75         | PS 13030 | 150* | 25 | 55 | PD 13030 | 150* | 25 | 80  | PT 13030 | 150* | 25 | 115 |
| 31 | 329,0          | 313,85         | PS 13031 | 150* | 25 | 55 | PD 13031 | 150* | 25 | 80  | PT 13031 | 150* | 30 | 115 |
| 32 | 339,1          | 323,91         | PS 13032 | 150* | 25 | 55 | PD 13032 | 150* | 25 | 80  | PT 13032 | 150* | 30 | 115 |
| 33 | 349,2          | 334,01         | PS 13033 | 150* | 25 | 55 | PD 13033 | 150* | 25 | 80  | PT 13033 | 150* | 30 | 115 |
| 34 | 359,3          | 334,10         | PS 13034 | 150* | 25 | 55 | PD 13034 | 150* | 25 | 80  | PT 13034 | 150* | 30 | 115 |
| 35 | 369,4          | 354,20         | PS 13035 | 150* | 25 | 55 | PD 13035 | 150* | 25 | 80  | PT 13035 | 150* | 30 | 115 |
| 36 | 379,5          | 364,30         | PS 13036 | 150* | 25 | 55 | PD 13036 | 150* | 30 | 80  | PT 13036 | 150* | 30 | 115 |
| 37 | 389,5          | 374,39         | PS 13037 | 150* | 25 | 55 | PD 13037 | 150* | 30 | 80  | PT 13037 | 150* | 30 | 115 |
| 38 | 399,6          | 384,49         | PS 13038 | 150* | 25 | 55 | PD 13038 | 150* | 30 | 80  | PT 13038 | 150* | 30 | 115 |
| 39 | 409,7          | 394,59         | PS 13039 | 150* | 25 | 55 | PD 13039 | 150* | 30 | 80  | PT 13039 | 150* | 30 | 115 |
| 40 | 419,8          | 404,66         | PS 13040 | 150* | 25 | 55 | PD 13040 | 150* | 30 | 80  | PT 13040 | 150* | 30 | 115 |
| 42 | 440,0          | 424,88         | PS 13042 | 160* | 30 | 80 |          |      |    |     |          |      |    |     |
| 45 | 470,3          | 455,17         | PS 13045 | 160* | 30 | 80 | PD 13045 | 160* | 30 | 101 | PT 13045 | 160* | 40 | 121 |
| 46 | 480,4          | 465,26         | PS 13046 | 160* | 25 | 80 | PD 13046 | 160* | 30 | 101 |          |      |    |     |
| 48 | 500,6          | 485,46         | PS 13048 | 160* | 25 | 80 |          |      |    |     |          |      |    |     |
| 50 | 520,8          | 505,65         | PS 13050 | 160* | 25 | 80 | PD 13050 | 160* | 30 | 101 | PT 13050 | 160* | 40 | 121 |
| 57 | 591,5          | 576,36         | PS 13057 | 160* | 30 | 80 | PD 13057 | 180* | 40 | 116 | PT 13057 | 200* | 40 | 123 |
| 60 | 621,8          | 606,65         | PS 13060 | 160* | 30 | 80 |          |      |    |     |          |      |    |     |
| 76 | 783,5          | 768,32         | PS 13076 | 160* | 30 | 80 | PD 13076 | 180* | 40 | 116 | PT 13076 | 200* | 40 | 123 |
| 95 | 975,2          | 960,28         | PS 13095 | 168* | 30 | 93 | PD 13095 | 200* | 40 | 116 |          |      |    |     |





# Pignoni / Sprockets

## Kettenräder mit Nabe / Pignons / Piñones

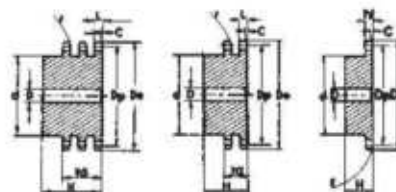
Pignoni per catene semplici, doppie e triple a rulli secondo: DIN 8187 - ISO/R 606

Sprockets for simplex, duplex and triplex chain to: DIN 8187 - ISO/R 606

Kettenräder mit einseitiger Nabe für Simplex- Duplex- Triplex-Rollenkette nach: DIN 8187 - ISO/R 606

Pignons avec moyeu déporté pour chaînes simples, doubles et triples à rouleaux suivant les normes: DIN 8187 - ISO/R 606

Piñones para cadena simple, doble y triple de rodillos según las normas: DIN 8187 - ISO/R 606



1"3/4 x 1"1/4

28B - 1-2-3 44,45 x 30,99 mm

| CATENA                      | CHAIN                      | KETTE                     | CHAÎNE                          | CADENA                      | ISO mm               |
|-----------------------------|----------------------------|---------------------------|---------------------------------|-----------------------------|----------------------|
| Passo                       | Pitch                      | Teilung                   | Pas                             | Paso                        | 44,45                |
| Larghezza interna           | Internal width             | Innere Breite             | Largeur interieure              | Ancho interno               | 30,99                |
| Rullo ø                     | Roller ø                   | Rollen ø                  | ø du rouleau                    | Rodillo ø                   | 27,94                |
| PIGNONE                     | SPROCKETS                  | KETTENRÄDER               | PIGNONS                         | PIÑONES                     | ISO mm               |
| Raggio dente r              | Tooth radius r             | Radius r                  | Rayon de denture r              | Radio diente r              | r 44,0               |
| Larghezza raggio C          | Radius width C             | Breite C                  | Largeur de rayon C              | Ancho radio C               | C 5,0                |
| Largh. dente h <sub>1</sub> | Tooth width h <sub>1</sub> | Zahnbreite h <sub>1</sub> | Larg. de denture h <sub>1</sub> | Ancho diente h <sub>1</sub> | h <sub>1</sub> 29,4  |
| Largh. dente L              | Tooth width L              | Zahnbreite L              | Larg. de denture L              | Ancho diente L              | L 28,8               |
| Largh. dente h <sub>2</sub> | Tooth width h <sub>2</sub> | Zahnbreite h <sub>2</sub> | Larg. de denture h <sub>2</sub> | Ancho diente h <sub>2</sub> | h <sub>2</sub> 88,4  |
| Largh. dente h <sub>3</sub> | Tooth width h <sub>3</sub> | Zahnbreite h <sub>3</sub> | Larg. de denture h <sub>3</sub> | Ancho diente h <sub>3</sub> | h <sub>3</sub> 148,0 |
| Altezza totale H            | Full height H              | Gesamt Höhe H             | Hauteur totale H                | Altura total H              | H -                  |

| Materiale C45E<br>UNI EN 10083-1                | Material C45E<br>UNI EN 10083-1 | Werkstoff C45E<br>UNI EN 10083-1               | Matière C45E<br>UNI EN 10083-1      | Material C45E<br>UNI EN 10083-1        |
|---|---------------------------------|--|-------------------------------------|--|
| *Tipi costruiti con mozzo saldato: materiale Fe | *With welded hub: material Fe   | *Typen mit eingeschweisster Nabe: Werkstoff Fe | *Types avec moyeu soudé: matière Fe | *Tipos con nucleo soldado: material Fe |

| Z  | D <sub>e</sub> | D <sub>p</sub> | Simplex  |      |    |     | Duplex   |      |    |     | Triplex  |      |    |     |
|----|----------------|----------------|----------|------|----|-----|----------|------|----|-----|----------|------|----|-----|
|    |                |                | cod.     | d    | D  | H   | cod.     | d    | D  | H   | cod.     | d    | D  | H   |
| 8  | 132,0          | 116,15         | PS 15008 | 74   | 25 | 70  | PD 15008 | 74   | 25 | 120 | PT 15008 | 74   | 30 | 180 |
| 9  | 148,4          | 129,96         | PS 15009 | 88   | 25 | 70  | PD 15009 | 88   | 25 | 120 | PT 15009 | 88   | 30 | 180 |
| 10 | 162,3          | 143,85         | PS 15010 | 100  | 25 | 70  | PD 15010 | 100  | 25 | 120 | PT 15010 | 100  | 30 | 180 |
| 11 | 176,3          | 157,77         | PS 15011 | 112  | 25 | 70  | PD 15011 | 112  | 25 | 120 | PT 15011 | 112  | 30 | 180 |
| 12 | 189,3          | 171,74         | PS 15012 | 125  | 25 | 70  | PD 15012 | 125  | 25 | 120 | PT 15012 | 125  | 30 | 180 |
| 13 | 204,2          | 185,75         | PS 15013 | 130* | 25 | 70  | PD 15013 | 130* | 25 | 120 | PT 15013 | 130* | 30 | 180 |
| 14 | 218,2          | 199,76         | PS 15014 | 130* | 25 | 70  | PD 15014 | 130* | 25 | 120 | PT 15014 | 130* | 30 | 180 |
| 15 | 232,3          | 213,79         | PS 15015 | 145* | 25 | 70  | PD 15015 | 145* | 30 | 120 | PT 15015 | 145* | 30 | 180 |
| 16 | 246,3          | 227,84         | PS 15016 | 160* | 30 | 75  | PD 15016 | 160* | 30 | 120 | PT 15016 | 160* | 30 | 180 |
| 17 | 260,0          | 241,90         | PS 15017 | 160* | 30 | 75  | PD 15017 | 160* | 30 | 120 | PT 15017 | 160* | 30 | 180 |
| 18 | 274,0          | 255,98         | PS 15018 | 160* | 30 | 75  | PD 15018 | 160* | 30 | 120 | PT 15018 | 160* | 30 | 180 |
| 19 | 289,0          | 270,06         | PS 15019 | 160* | 30 | 75  | PD 15019 | 180* | 30 | 120 | PT 15019 | 180* | 30 | 180 |
| 20 | 303,0          | 284,15         | PS 15020 | 160* | 30 | 75  | PD 15020 | 180* | 30 | 120 | PT 15020 | 180* | 30 | 180 |
| 21 | 317,0          | 298,24         | PS 15021 | 170* | 30 | 75  | PD 15021 | 180* | 30 | 120 | PT 15021 | 180* | 30 | 180 |
| 22 | 331,0          | 312,34         | PS 15022 | 170* | 30 | 75  | PD 15022 | 180* | 30 | 120 | PT 15022 | 180* | 30 | 180 |
| 23 | 345,0          | 326,44         | PS 15023 | 170* | 30 | 75  | PD 15023 | 180* | 30 | 120 | PT 15023 | 180* | 30 | 180 |
| 24 | 359,0          | 340,55         | PS 15024 | 170* | 30 | 75  | PD 15024 | 180* | 30 | 120 | PT 15024 | 180* | 30 | 180 |
| 25 | 373,0          | 354,66         | PS 15025 | 170* | 30 | 75  | PD 15025 | 180* | 30 | 120 | PT 15025 | 180* | 40 | 180 |
| 26 | 387,0          | 368,77         | PS 15026 | 170* | 30 | 75  | PD 15026 | 180* | 30 | 120 | PT 15026 | 180* | 40 | 180 |
| 27 | 401,0          | 382,88         | PS 15027 | 170* | 30 | 75  | PD 15027 | 180* | 30 | 120 | PT 15027 | 180* | 40 | 180 |
| 28 | 416,0          | 397,00         | PS 15028 | 170* | 30 | 75  | PD 15028 | 180* | 30 | 120 | PT 15028 | 180* | 40 | 180 |
| 29 | 430,0          | 411,12         | PS 15029 | 170* | 30 | 75  | PD 15029 | 180* | 30 | 120 | PT 15029 | 180* | 40 | 180 |
| 30 | 444,0          | 425,24         | PS 15030 | 170* | 30 | 75  | PD 15030 | 180* | 30 | 120 | PT 15030 | 180* | 40 | 180 |
| 31 | 458,0          | 439,37         | PS 15031 | 180* | 30 | 75  | PD 15031 | 200* | 30 | 120 | PT 15031 | 200* | 40 | 180 |
| 32 | 472,0          | 453,49         | PS 15032 | 180* | 30 | 75  | PD 15032 | 200* | 30 | 120 | PT 15032 | 200* | 40 | 180 |
| 33 | 486,0          | 467,62         | PS 15033 | 180* | 30 | 75  | PD 15033 | 200* | 30 | 120 | PT 15033 | 200* | 40 | 180 |
| 34 | 500,0          | 481,75         | PS 15034 | 180* | 30 | 75  | PD 15034 | 200* | 30 | 120 | PT 15034 | 200* | 40 | 180 |
| 35 | 514,0          | 495,88         | PS 15035 | 180* | 30 | 75  | PD 15035 | 200* | 30 | 120 | PT 15035 | 200* | 40 | 180 |
| 36 | 529,0          | 510,01         | PS 15036 | 180* | 30 | 75  | PD 15036 | 200* | 30 | 120 | PT 15036 | 200* | 40 | 180 |
| 37 | 543,0          | 524,13         | PS 15037 | 180* | 30 | 75  | PD 15037 | 200* | 30 | 120 | PT 15037 | 200* | 40 | 180 |
| 38 | 557,0          | 538,27         | PS 15038 | 180* | 30 | 75  | PD 15038 | 200* | 30 | 120 | PT 15038 | 200* | 40 | 180 |
| 39 | 571,0          | 552,40         | PS 15039 | 180* | 30 | 75  | PD 15039 | 200* | 30 | 120 | PT 15039 | 200* | 40 | 180 |
| 40 | 585,0          | 566,54         | PS 15040 | 180* | 30 | 75  | PD 15040 | 200* | 30 | 120 | PT 15040 | 200* | 40 | 180 |
| 45 | 656,0          | 637,22         | PS15045  | 180* | 30 | 75  | PD 15045 | 200* | 40 | 150 | PT15045  | 200* | 40 | 209 |
| 50 | 726,0          | 707,91         | PS15050  | 180* | 30 | 75  | PD 15050 | 200* | 40 | 150 |          |      |    |     |
| 57 | 825,0          | 806,90         | PS15057  | 180* | 40 | 123 | PD 15057 | 200* | 40 | 150 | PT15057  | 200* | 40 | 209 |
| 60 | 869,0          | 849,32         | PS15060  | 180* | 40 | 123 |          |      |    |     |          |      |    |     |
| 76 | 1095,0         | 1075,62        | PS15076  | 180* | 40 | 123 | PD 15076 | 200* | 40 | 150 | PT15076  | 238* | 40 | 217 |



# Pignoni / Sprockets Kettenräder mit Nabe / Pignons / Piñones

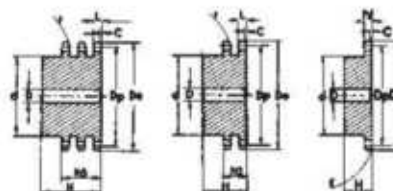
Pignoni per catene semplici, doppie e triple a rulli secondo: DIN 8187 - ISO/R 606

Sprockets for simplex, duplex and triplex chain to: DIN 8187 - ISO/R 606

Kettenräder mit einseitiger Nabe für Simplex- Duplex- Triplex-Rollenkette nach: DIN 8187 - ISO/R 606

Pignons avec moyeu déporté pour chaînes simples, doubles et triples à rouleaux suivant les normes: DIN 8187 - ISO/R 606

Piñones para cadena simple, doble y triple de rodillos según las normas: DIN 8187 - ISO/R 606



2" x 1 1/4

32B - 1-2-3 50,8 x 30,99 mm

| CATENA                      | CHAIN                      | KETTE                     | CHAÎNE                          | CADENA                      | ISO mm               |
|-----------------------------|----------------------------|---------------------------|---------------------------------|-----------------------------|----------------------|
| Passo                       | Pitch                      | Teilung                   | Pas                             | Paso                        | 50,80                |
| Larghezza interna           | Internal width             | Innere Breite             | Largeur interieure              | Ancho interno               | 30,99                |
| Rullo ø                     | Roller ø                   | Rollen ø                  | ø du rouleau                    | Rodillo ø                   | 29,21                |
| PIGNONE                     | SPROCKETS                  | KETTENRÄDER               | PIGNONS                         | PIÑONES                     | ISO mm               |
| Raggio dente r              | Tooth radius r             | Radius r                  | Rayon de denture r              | Radio diente r              | r 51,0               |
| Larghezza raggio C          | Radius width C             | Breite C                  | Largeur de rayon C              | Ancho radio C               | C 6,0                |
| Largh. dente h <sub>1</sub> | Tooth width h <sub>1</sub> | Zahnbreite h <sub>1</sub> | Larg. de denture h <sub>1</sub> | Ancho diente h <sub>1</sub> | h <sub>1</sub> 29,4  |
| Largh. dente L              | Tooth width L              | Zahnbreite L              | Larg. de denture L              | Ancho diente L              | L 28,8               |
| Largh. dente h <sub>2</sub> | Tooth width h <sub>2</sub> | Zahnbreite h <sub>2</sub> | Larg. de denture h <sub>2</sub> | Ancho diente h <sub>2</sub> | h <sub>2</sub> 87,4  |
| Largh. dente h <sub>3</sub> | Tooth width h <sub>3</sub> | Zahnbreite h <sub>3</sub> | Larg. de denture h <sub>3</sub> | Ancho diente h <sub>3</sub> | h <sub>3</sub> 146,0 |
| Altezza totale H            | Full height H              | Gesamt Höhe H             | Hauteur totale H                | Altura total H              | H -                  |

**Materiale C45E**  
**UNI EN 10083-1**

\*Tipi costruiti con mozzo saldato: materiale Fe

**Material C45E**  
**UNI EN 10083-1**

\*With welded hub: material Fe

**Werkstoff C45E**  
**UNI EN 10083-1**

\*Typen mit eingeschweisster Nabe: Werkstoff Fe

**Matière C45E**  
**UNI EN 10083-1**

\*Tipos avec moyeu soudé: matière Fe

**Material C45E**  
**UNI EN 10083-1**

\*Tipos con nucleo soldado: material Fe

| Z  | D <sub>e</sub> | D <sub>p</sub> | Simplex  |      |    |     | Duplex   |      |    |     | Triplex  |      |    |     |
|----|----------------|----------------|----------|------|----|-----|----------|------|----|-----|----------|------|----|-----|
|    |                |                | cod.     | d    | D  | H   | cod.     | d    | D  | H   | cod.     | d    | D  | H   |
| 8  | 153,2          | 132,74         | PS 16008 | 82   | 25 | 80  | PD 16008 | 82   | 30 | 120 | PT 16008 | 82   | 30 | 180 |
| 9  | 169,0          | 148,54         | PS 16009 | 88   | 25 | 80  | PD 16009 | 88   | 30 | 120 | PT 16009 | 88   | 30 | 180 |
| 10 | 185,0          | 164,39         | PS 16010 | 104  | 25 | 80  | PD 16010 | 104  | 30 | 120 | PT 16010 | 104  | 30 | 180 |
| 11 | 200,8          | 180,31         | PS 16011 | 120  | 30 | 80  | PD 16011 | 120  | 30 | 120 | PT 16011 | 120  | 30 | 180 |
| 12 | 216,8          | 196,29         | PS 16012 | 133* | 30 | 80  | PD 16012 | 133* | 30 | 120 | PT 16012 | 133* | 30 | 180 |
| 13 | 232,8          | 212,29         | PS 16013 | 145* | 30 | 80  | PD 16013 | 145* | 30 | 120 | PT 16013 | 145* | 30 | 180 |
| 14 | 248,8          | 228,29         | PS 16014 | 160* | 30 | 80  | PD 16014 | 160* | 30 | 120 | PT 16014 | 160* | 30 | 180 |
| 15 | 264,8          | 244,30         | PS 16015 | 160* | 30 | 80  | PD 16015 | 160* | 30 | 120 | PT 16015 | 160* | 30 | 180 |
| 16 | 280,9          | 260,40         | PS 16016 | 160* | 30 | 90  | PD 16016 | 160* | 30 | 120 | PT 16016 | 160* | 30 | 180 |
| 17 | 296,9          | 276,46         | PS 16017 | 170* | 30 | 90  | PD 16017 | 180* | 30 | 120 | PT 16017 | 180* | 30 | 180 |
| 18 | 313,0          | 292,55         | PS 16018 | 170* | 30 | 90  | PD 16018 | 180* | 30 | 120 | PT 16018 | 180* | 30 | 180 |
| 19 | 329,1          | 308,66         | PS 16019 | 170* | 30 | 90  | PD 16019 | 200* | 30 | 120 | PT 16019 | 200* | 30 | 180 |
| 20 | 345,2          | 324,71         | PS 16020 | 180* | 30 | 90  | PD 16020 | 200* | 30 | 120 | PT 16020 | 200* | 30 | 180 |
| 21 | 361,3          | 340,82         | PS 16021 | 180* | 30 | 90  | PD 16021 | 200* | 30 | 120 | PT 16021 | 200* | 40 | 180 |
| 22 | 377,5          | 356,98         | PS 16022 | 180* | 30 | 90  | PD 16022 | 200* | 30 | 120 | PT 16022 | 200* | 40 | 180 |
| 23 | 393,6          | 373,08         | PS 16023 | 180* | 30 | 90  | PD 16023 | 200* | 30 | 120 | PT 16023 | 200* | 40 | 180 |
| 24 | 409,7          | 389,18         | PS 16024 | 180* | 30 | 90  | PD 16024 | 200* | 30 | 120 | PT 16024 | 200* | 40 | 180 |
| 25 | 425,8          | 405,33         | PS 16025 | 180* | 30 | 90  | PD 16025 | 200* | 30 | 120 | PT 16025 | 200* | 40 | 180 |
| 26 | 441,9          | 421,44         | PS 16026 | 180* | 30 | 90  | PD 16026 | 200* | 30 | 120 | PT 16026 | 200* | 40 | 180 |
| 27 | 458,1          | 437,59         | PS 16027 | 180* | 30 | 90  | PD 16027 | 200* | 30 | 120 | PT 16027 | 200* | 40 | 180 |
| 28 | 474,2          | 453,69         | PS 16028 | 180* | 30 | 90  | PD 16028 | 200* | 30 | 120 | PT 16028 | 200* | 40 | 180 |
| 29 | 492,0          | 469,85         | PS 16029 | 180* | 30 | 90  |          |      |    |     |          |      |    |     |
| 30 | 506,5          | 486,00         | PS 16030 | 180* | 30 | 90  | PD 16030 | 200* | 30 | 120 | PT 16030 | 200* | 40 | 180 |
| 32 | 538,8          | 518,27         | PS 16032 | 180* | 30 | 90  |          |      |    |     |          |      |    |     |
| 35 | 589,5          | 566,71         | PS 16035 | 180* | 30 | 90  |          |      |    |     |          |      |    |     |
| 38 | 635,5          | 615,16         | PS 16038 | 180* | 30 | 90  |          |      |    |     |          |      |    |     |
| 40 | 670,3          | 647,47         | PS 16040 | 180* | 30 | 90  |          |      |    |     |          |      |    |     |
| 45 | 751,0          | 728,24         | PS16045  | 218* | 40 | 123 | PD 16045 | 220* | 40 | 148 | PT 16045 | 220* | 40 | 207 |
| 50 | 831,8          | 809,04         | PS16050  | 218* | 40 | 123 | PD 16050 | 220* | 40 | 148 | PT 16050 | 220* | 40 | 207 |
| 57 | 945,0          | 922,16         | PS16057  | 218* | 40 | 123 | PD 16057 | 220* | 40 | 148 | PT 16057 | 220* | 40 | 207 |
| 60 | 993,4          | 970,65         | PS16060  | 218* | 40 | 123 |          |      |    |     |          |      |    |     |
| 76 | 1252,0         | 1229,27        | PS16076  | 218* | 40 | 123 | PD 16076 | 220* | 40 | 148 | PT 16076 | 238* | 40 | 216 |

## Pignoni temperati ad induzione sui denti (45 ÷ 55 HRC)

## Sprockets with hardened teeth (45 ÷ 55 HRC)

## Kettenräder mit ind. gehärteter Verzahnung (45 ÷ 55 HRC)

## Pignons avec denture trempee haute frequence (45 ÷ 55 HRC)

## Piñones templados por inducción en los dientes (45 ÷ 55 HRC)

I valori C-h1-h2-L-r sono da ricavare dalle pagg. 52, 57, 58, 59, 60, 61

See page no. 52, 57, 58, 59, 60, 61 for C-h1-h2-L-r dimensions

Siehe Seite Nr. 52, 57, 58, 59, 60, 61 fuer C-h1-h2-L-r Abmessungen

Voir page no. 52, 57, 58, 59, 60, 61 pour les dimensions C-h1-h2-L-r

Valor C-h1-h2-L-r se deben obtener de las paginas 52, 57, 58, 59, 60, 61

### Materiale C45E UNI EN 10083-1

\*Tipi costruiti con mozzo saldato: materiale Fe

### Material C45E UNI EN 10083-1

\*With welded hub: material Fe

### Werkstoff C45E UNI EN 10083-1

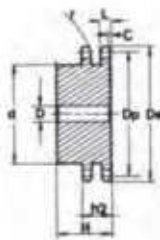
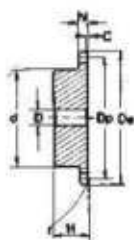
\*Typen mit eingeschweisster Nabe: Werkstoff Fe

### Matière C45E UNI EN 10083-1

\*Types avec moyeu soudé: matière Fe

### Material C45E UNI EN 10083-1

\*Tipos con nucleo soldado: material Fe



## 3/8" x 7/32" 06B - 1 - 2 9,525 x 5,72 mm

| Z  | D <sub>e</sub> | D <sub>p</sub> | Simplex |    |    |    | Duplex  |    |    |    |
|----|----------------|----------------|---------|----|----|----|---------|----|----|----|
|    |                |                | cod.    | d  | D  | H  | cod.    | d  | D  | H  |
| 8  | 28,0           | 24,89          | PS05T08 | 15 | 8  | 22 | PD05T08 | 15 | 6  | 22 |
| 9  | 31,0           | 27,85          | PS05T09 | 18 | 8  | 22 | PD05T09 | 18 | 8  | 22 |
| 10 | 34,0           | 30,82          | PS05T10 | 20 | 8  | 22 | PD05T10 | 20 | 8  | 22 |
| 11 | 37,0           | 33,80          | PS05T11 | 22 | 8  | 25 | PD05T11 | 22 | 10 | 25 |
| 12 | 40,0           | 36,80          | PS05T12 | 25 | 8  | 25 | PD05T12 | 25 | 10 | 25 |
| 13 | 43,0           | 39,80          | PS05T13 | 28 | 10 | 25 | PD05T13 | 28 | 10 | 25 |
| 14 | 46,3           | 42,80          | PS05T14 | 31 | 10 | 25 | PD05T14 | 31 | 10 | 25 |
| 15 | 49,5           | 45,81          | PS05T15 | 34 | 10 | 25 | PD05T15 | 34 | 10 | 25 |
| 16 | 52,3           | 48,82          | PS05T16 | 37 | 10 | 28 | PD05T16 | 37 | 12 | 30 |
| 17 | 55,3           | 51,83          | PS05T17 | 40 | 10 | 28 | PD05T17 | 40 | 12 | 30 |
| 18 | 58,3           | 54,85          | PS05T18 | 43 | 10 | 28 | PD05T18 | 43 | 12 | 30 |
| 19 | 61,3           | 57,87          | PS05T19 | 45 | 10 | 28 | PD05T19 | 46 | 12 | 30 |
| 20 | 64,3           | 60,89          | PS05T20 | 46 | 10 | 28 | PD05T20 | 49 | 12 | 30 |
| 21 | 68,0           | 63,91          | PS05T21 | 48 | 12 | 28 | PD05T21 | 52 | 12 | 30 |
| 22 | 71,0           | 66,93          | PS05T22 | 50 | 12 | 28 | PD05T22 | 55 | 12 | 30 |
| 23 | 73,5           | 69,95          | PS05T23 | 52 | 12 | 28 | PD05T23 | 58 | 12 | 30 |
| 24 | 77,0           | 72,97          | PS05T24 | 54 | 12 | 28 | PD05T24 | 61 | 12 | 30 |
| 25 | 80,0           | 76,00          | PS05T25 | 57 | 12 | 28 | PD05T25 | 64 | 12 | 30 |
| 26 | 83,0           | 79,02          | PS05T26 | 60 | 12 | 28 | PD05T26 | 67 | 12 | 30 |
| 27 | 86,0           | 82,04          | PS05T27 | 60 | 12 | 28 | PD05T27 | 70 | 12 | 30 |
| 28 | 89,0           | 85,07          | PS05T28 | 60 | 12 | 28 | PD05T28 | 73 | 12 | 30 |
| 30 | 94,7           | 91,12          | PS05T30 | 60 | 12 | 30 | PD05T30 | 79 | 12 | 30 |
| 32 | 101,3          | 97,17          | PS05T32 | 65 | 14 | 30 | PD05T32 | 80 | 16 | 30 |
| 34 | 107,3          | 103,23         | PS05T34 | 65 | 14 | 30 | PD05T34 | 80 | 16 | 30 |
| 35 | 110,4          | 106,26         | PS05T35 | 65 | 14 | 30 | PD05T35 | 80 | 16 | 30 |
| 36 | 113,4          | 109,29         | PS05T36 | 70 | 16 | 30 | PD05T36 | 90 | 16 | 30 |
| 38 | 119,5          | 115,34         | PS05T38 | 70 | 16 | 30 | PD05T38 | 90 | 16 | 30 |
| 40 | 125,5          | 121,40         | PS05T40 | 70 | 16 | 30 | PD05T40 | 90 | 16 | 30 |

## 1/2" x 5/16" 08B - 1 - 2 12,7 x 7,75 mm

| Z  | D <sub>e</sub> | D <sub>p</sub> | Simplex |    |    |    | Duplex  |     |    |    |
|----|----------------|----------------|---------|----|----|----|---------|-----|----|----|
|    |                |                | cod.    | d  | D  | H  | cod.    | d   | D  | H  |
| 8  | 37,2           | 33,18          | PS09T08 | 20 | 10 | 25 | PD09T08 | 20  | 10 | 32 |
| 9  | 41,0           | 37,13          | PS09T09 | 24 | 10 | 25 | PD09T09 | 24  | 10 | 32 |
| 10 | 45,2           | 41,10          | PS09T10 | 26 | 10 | 25 | PD09T10 | 28  | 10 | 32 |
| 11 | 48,7           | 45,07          | PS09T11 | 29 | 10 | 25 | PD09T11 | 32  | 12 | 35 |
| 12 | 53,0           | 49,07          | PS09T12 | 33 | 10 | 28 | PD09T12 | 35  | 12 | 35 |
| 13 | 57,4           | 53,06          | PS09T13 | 37 | 10 | 28 | PD09T13 | 38  | 12 | 35 |
| 14 | 61,8           | 57,07          | PS09T14 | 41 | 10 | 28 | PD09T14 | 42  | 12 | 35 |
| 15 | 65,5           | 61,09          | PS09T15 | 45 | 10 | 28 | PD09T15 | 46  | 12 | 35 |
| 16 | 69,5           | 65,10          | PS09T16 | 50 | 12 | 28 | PD09T16 | 50  | 14 | 35 |
| 17 | 73,6           | 69,11          | PS09T17 | 52 | 12 | 28 | PD09T17 | 54  | 14 | 35 |
| 18 | 77,8           | 73,14          | PS09T18 | 56 | 12 | 28 | PD09T18 | 58  | 14 | 35 |
| 19 | 81,7           | 77,16          | PS09T19 | 60 | 12 | 28 | PD09T19 | 62  | 14 | 35 |
| 20 | 85,8           | 81,19          | PS09T20 | 64 | 12 | 28 | PD09T20 | 66  | 14 | 35 |
| 21 | 89,7           | 85,22          | PS09T21 | 68 | 12 | 28 | PD09T21 | 70  | 16 | 40 |
| 22 | 93,8           | 89,24          | PS09T22 | 70 | 12 | 28 | PD09T22 | 70  | 16 | 40 |
| 23 | 98,2           | 93,27          | PS09T23 | 70 | 14 | 28 | PD09T23 | 70  | 16 | 40 |
| 24 | 101,8          | 97,29          | PS09T24 | 70 | 14 | 28 | PD09T24 | 75  | 16 | 40 |
| 25 | 105,8          | 101,33         | PS09T25 | 70 | 14 | 28 | PD09T25 | 80  | 16 | 40 |
| 26 | 110,0          | 105,36         | PS09T26 | 70 | 16 | 30 | PD09T26 | 85  | 20 | 40 |
| 27 | 114,0          | 109,40         | PS09T27 | 70 | 16 | 30 | PD09T27 | 85  | 20 | 40 |
| 28 | 118,0          | 113,42         | PS09T28 | 70 | 16 | 30 | PD09T28 | 90  | 20 | 40 |
| 30 | 126,1          | 121,50         | PS09T30 | 80 | 16 | 30 | PD09T30 | 100 | 20 | 40 |
| 32 | 134,3          | 129,56         | PS09T32 | 90 | 16 | 30 | PD09T32 | 100 | 20 | 40 |
| 34 | 142,6          | 137,64         | PS09T34 | 90 | 16 | 30 | PD09T34 | 100 | 20 | 40 |
| 35 | 146,7          | 141,68         | PS09T35 | 90 | 16 | 30 | PD09T35 | 100 | 20 | 40 |
| 36 | 151,0          | 145,72         | PS09T36 | 90 | 16 | 35 | PD09T36 | 110 | 20 | 40 |
| 38 | 158,6          | 153,80         | PS09T38 | 90 | 16 | 35 | PD09T38 | 110 | 20 | 40 |
| 40 | 166,8          | 161,87         | PS09T40 | 90 | 16 | 35 | PD09T40 | 110 | 20 | 40 |



**Pignoni temperati ad induzione sui denti (45 ÷ 55 HRC)**  
**Sprockets with hardened teeth (45 ÷ 55 HRC)**  
**Kettenräder mit ind. gehärteter Verzahnung (45 ÷ 55 HRC)**  
**Pignons avec denture trempee haute frequence (45 ÷ 55 HRC)**  
**Piñones templados por inducción en los dientes (45 ÷ 55 HRC)**

I valori C-h1-h2-L-r sono da ricavare dalle pagg. 52, 57, 58, 59, 60, 61

See page no. 52, 57, 58, 59, 60, 61 for C-h1-h2-L-r dimensions

Siehe Seite Nr. 52, 57, 58, 59, 60, 61 fuer C-h1-h2-L-r Abmessungen

Voir page no. 52, 57, 58, 59, 60, 61 pour les dimensions C-h1-h2-L-r

Valor C-h1-h2-L-r se deben obtener de las paginas 52, 57, 58, 59, 60, 61

**Materiale C45E**  
**UNI EN 10083-1**

\*Tipi costruiti con mozzo saldato: materiale Fe

**Material C45E**  
**UNI EN 10083-1**

\*With welded hub: material Fe

**Werkstoff C45E**  
**UNI EN 10083-1**

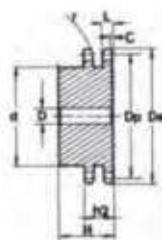
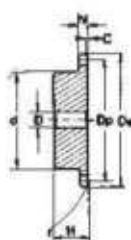
\*Typen mit eingeschweisster Nabe: Werkstoff Fe

**Matière C45E**  
**UNI EN 10083-1**

\*Types avec moyeu soudé: matière Fe

**Material C45E**  
**UNI EN 10083-1**

\*Tipos con nucleo soldado: material Fe



**5/8" x 3/8" 10B - 1 - 2 15,875 x 9,65 mm**

| Z  | D <sub>e</sub> | D <sub>p</sub> | Simplex |     |    |    | Duplex  |     |    |    |
|----|----------------|----------------|---------|-----|----|----|---------|-----|----|----|
|    |                |                | cod.    | d   | D  | H  | cod.    | d   | D  | H  |
| 8  | 47,0           | 41,48          | PS10T08 | 25  | 10 | 25 | PD10T08 | 25  | 12 | 40 |
| 9  | 52,6           | 46,42          | PS10T09 | 30  | 10 | 25 | PD10T09 | 30  | 12 | 40 |
| 10 | 57,5           | 51,37          | PS10T10 | 35  | 10 | 25 | PD10T10 | 35  | 12 | 40 |
| 11 | 63,0           | 56,34          | PS10T11 | 37  | 12 | 30 | PD10T11 | 39  | 14 | 40 |
| 12 | 68,0           | 61,34          | PS10T12 | 42  | 12 | 30 | PD10T12 | 44  | 14 | 40 |
| 13 | 73,0           | 66,32          | PS10T13 | 47  | 12 | 30 | PD10T13 | 49  | 14 | 40 |
| 14 | 78,0           | 71,34          | PS10T14 | 52  | 12 | 30 | PD10T14 | 54  | 14 | 40 |
| 15 | 83,0           | 76,36          | PS10T15 | 57  | 12 | 30 | PD10T15 | 59  | 14 | 40 |
| 16 | 88,0           | 81,37          | PS10T16 | 60  | 12 | 30 | PD10T16 | 64  | 16 | 45 |
| 17 | 93,0           | 86,39          | PS10T17 | 60  | 12 | 30 | PD10T17 | 69  | 16 | 45 |
| 18 | 98,0           | 91,42          | PS10T18 | 70  | 14 | 30 | PD10T18 | 74  | 16 | 45 |
| 19 | 103,3          | 96,45          | PS10T19 | 70  | 14 | 30 | PD10T19 | 79  | 16 | 45 |
| 20 | 108,4          | 101,49         | PS10T20 | 75  | 14 | 30 | PD10T20 | 84  | 16 | 45 |
| 21 | 113,4          | 106,52         | PS10T21 | 75  | 16 | 30 | PD10T21 | 85  | 16 | 45 |
| 22 | 118,0          | 111,55         | PS10T22 | 80  | 16 | 30 | PD10T22 | 90  | 16 | 45 |
| 23 | 123,4          | 116,58         | PS10T23 | 80  | 16 | 30 | PD10T23 | 95  | 16 | 45 |
| 24 | 128,3          | 121,62         | PS10T24 | 80  | 16 | 30 | PD10T24 | 100 | 16 | 45 |
| 25 | 134,0          | 126,66         | PS10T25 | 80  | 16 | 30 | PD10T25 | 105 | 16 | 45 |
| 26 | 139,0          | 131,70         | PS10T26 | 85  | 20 | 35 | PD10T26 | 110 | 20 | 45 |
| 27 | 144,0          | 136,75         | PS10T27 | 85  | 20 | 35 | PD10T27 | 110 | 20 | 45 |
| 28 | 148,7          | 141,78         | PS10T28 | 90  | 20 | 35 | PD10T28 | 115 | 20 | 45 |
| 30 | 158,8          | 151,87         | PS10T30 | 90  | 20 | 35 | PD10T30 | 120 | 20 | 45 |
| 32 | 168,9          | 161,95         | PS10T32 | 95  | 20 | 35 | PD10T32 | 120 | 20 | 45 |
| 34 | 179,0          | 172,05         | PS10T34 | 95  | 20 | 35 | PD10T34 | 120 | 20 | 45 |
| 35 | 184,1          | 177,10         | PS10T35 | 95  | 20 | 35 | PD10T35 | 120 | 20 | 45 |
| 36 | 189,1          | 182,15         | PS10T36 | 100 | 20 | 35 | PD10T36 | 120 | 20 | 45 |
| 38 | 199,2          | 192,24         | PS10T38 | 100 | 20 | 35 | PD10T38 | 120 | 20 | 45 |
| 40 | 209,3          | 202,34         | PS10T40 | 100 | 20 | 40 | PD10T40 | 120 | 20 | 45 |

**3/4" x 7/16" 12B - 1 - 2 19,05 x 11,68 mm**

| Z  | D <sub>e</sub> | D <sub>p</sub> | Simplex |     |    |    | Duplex  |     |    |    |
|----|----------------|----------------|---------|-----|----|----|---------|-----|----|----|
|    |                |                | cod.    | d   | D  | H  | cod.    | d   | D  | H  |
| 8  | 57,6           | 49,78          | PS11T08 | 31  | 12 | 30 | PD11T08 | 31  | 12 | 45 |
| 9  | 62,0           | 55,70          | PS11T09 | 37  | 12 | 30 | PD11T09 | 37  | 12 | 45 |
| 10 | 69,0           | 61,64          | PS11T10 | 42  | 12 | 30 | PD11T10 | 42  | 12 | 45 |
| 11 | 75,0           | 67,61          | PS11T11 | 46  | 14 | 35 | PD11T11 | 47  | 16 | 50 |
| 12 | 81,5           | 73,60          | PS11T12 | 52  | 14 | 35 | PD11T12 | 53  | 16 | 50 |
| 13 | 87,5           | 79,59          | PS11T13 | 58  | 14 | 35 | PD11T13 | 59  | 16 | 50 |
| 14 | 93,6           | 85,61          | PS11T14 | 64  | 14 | 35 | PD11T14 | 65  | 16 | 50 |
| 15 | 99,8           | 91,63          | PS11T15 | 70  | 14 | 35 | PD11T15 | 71  | 16 | 50 |
| 16 | 105,5          | 97,65          | PS11T16 | 75  | 16 | 35 | PD11T16 | 77  | 20 | 50 |
| 17 | 111,5          | 103,67         | PS11T17 | 80  | 16 | 35 | PD11T17 | 83  | 20 | 50 |
| 18 | 118,0          | 109,71         | PS11T18 | 80  | 16 | 35 | PD11T18 | 89  | 20 | 50 |
| 19 | 124,2          | 115,75         | PS11T19 | 80  | 16 | 35 | PD11T19 | 95  | 20 | 50 |
| 20 | 129,7          | 121,78         | PS11T20 | 80  | 16 | 35 | PD11T20 | 100 | 20 | 50 |
| 21 | 136,0          | 127,82         | PS11T21 | 90  | 20 | 40 | PD11T21 | 100 | 20 | 50 |
| 22 | 141,8          | 133,86         | PS11T22 | 90  | 20 | 40 | PD11T22 | 100 | 20 | 50 |
| 23 | 149,0          | 139,90         | PS11T23 | 90  | 20 | 40 | PD11T23 | 100 | 20 | 50 |
| 24 | 153,9          | 145,94         | PS11T24 | 90  | 20 | 40 | PD11T24 | 100 | 20 | 50 |
| 25 | 160,0          | 152,00         | PS11T25 | 90  | 20 | 40 | PD11T25 | 120 | 20 | 50 |
| 26 | 165,9          | 158,04         | PS11T26 | 95  | 20 | 40 | PD11T26 | 120 | 20 | 50 |
| 27 | 172,3          | 164,09         | PS11T27 | 95  | 20 | 40 | PD11T27 | 120 | 20 | 50 |
| 28 | 178,0          | 170,13         | PS11T28 | 95  | 20 | 40 | PD11T28 | 120 | 20 | 50 |
| 30 | 190,5          | 182,25         | PS11T30 | 95  | 20 | 40 | PD11T30 | 120 | 20 | 50 |
| 32 | 203,3          | 194,35         | PS11T32 | 100 | 20 | 40 | PD11T32 | 130 | 20 | 50 |
| 34 | 214,6          | 206,46         | PS11T34 | 100 | 20 | 40 | PD11T34 | 130 | 20 | 50 |
| 35 | 221,0          | 212,52         | PS11T35 | 100 | 20 | 40 | PD11T35 | 130 | 20 | 50 |
| 36 | 226,8          | 218,58         | PS11T36 | 100 | 20 | 40 | PD11T36 | 130 | 25 | 50 |
| 38 | 239,0          | 230,69         | PS11T38 | 100 | 20 | 40 | PD11T38 | 130 | 25 | 50 |
| 40 | 251,3          | 242,81         | PS11T40 | 100 | 20 | 40 | PD11T40 | 130 | 25 | 50 |

## Pignoni temperati ad induzione sui denti (45 ÷ 55 HRC)

## Sprockets with hardened teeth (45 ÷ 55 HRC)

## Kettenräder mit ind. gehärteter Verzahnung (45 ÷ 55 HRC)

## Pignons avec denture trempee haute frequence (45 ÷ 55 HRC)

## Piñones templados por inducción en los dientes (45 ÷ 55 HRC)

I valori C-h1-h2-L-r sono da ricavare dalle pagg. 52, 57, 58, 59, 60, 61

See page no. 52, 57, 58, 59, 60, 61 for C-h1-h2-L-r dimensions

Siehe Seite Nr. 52, 57, 58, 59, 60, 61 fuer C-h1-h2-L-r Abmessungen

Voir page no. 52, 57, 58, 59, 60, 61 pour les dimensions C-h1-h2-L-r

Valor C-h1-h2-L-r se deben obtener de las paginas 52, 57, 58, 59, 60, 61

### Materiale C45E UNI EN 10083-1

\*Tipi costruiti con mozzo saldato: materiale Fe

### Material C45E UNI EN 10083-1

\*With welded hub: material Fe

### Werkstoff C45E UNI EN 10083-1

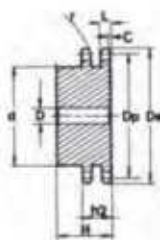
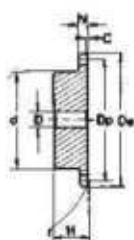
\*Typen mit eingeschweisster Nabe: Werkstoff Fe

### Matière C45E UNI EN 10083-1

\*Types avec moyeu soudé: matière Fe

### Material C45E UNI EN 10083-1

\*Tipos con nucleo soldado: material Fe



## 1" x 17,02 mm 16B - 1 - 2 25,4 x 17,02 mm

| Z  | D <sub>e</sub> | D <sub>p</sub> | Simplex |      |    |    | Duplex  |      |    |    |
|----|----------------|----------------|---------|------|----|----|---------|------|----|----|
|    |                |                | cod.    | d    | D  | H  | cod.    | d    | D  | H  |
| 8  | 77,0           | 66,37          | PS12T08 | 42   | 16 | 35 | PD12T08 | 42   | 16 | 65 |
| 9  | 85,0           | 74,27          | PS12T09 | 50   | 16 | 35 | PD12T09 | 50   | 16 | 65 |
| 10 | 93,0           | 82,19          | PS12T10 | 55   | 16 | 35 | PD12T10 | 56   | 16 | 65 |
| 11 | 99,5           | 90,14          | PS12T11 | 61   | 16 | 40 | PD12T11 | 64   | 20 | 70 |
| 12 | 109,0          | 98,14          | PS12T12 | 69   | 16 | 40 | PD12T12 | 72   | 20 | 70 |
| 13 | 117,0          | 106,12         | PS12T13 | 78   | 16 | 40 | PD12T13 | 80   | 20 | 70 |
| 14 | 125,0          | 114,15         | PS12T14 | 84   | 16 | 40 | PD12T14 | 88   | 20 | 70 |
| 15 | 133,0          | 122,17         | PS12T15 | 92   | 16 | 40 | PD12T15 | 96   | 20 | 70 |
| 16 | 141,0          | 130,20         | PS12T16 | 100  | 20 | 45 | PD12T16 | 104  | 20 | 70 |
| 17 | 149,0          | 138,22         | PS12T17 | 100  | 20 | 45 | PD12T17 | 112  | 20 | 70 |
| 18 | 157,0          | 146,28         | PS12T18 | 100  | 20 | 45 | PD12T18 | 120  | 20 | 70 |
| 19 | 165,2          | 154,33         | PS12T19 | 100  | 20 | 45 | PD12T19 | 128  | 20 | 70 |
| 20 | 173,2          | 162,38         | PS12T20 | 100  | 20 | 45 | PD12T20 | 130  | 20 | 70 |
| 21 | 181,2          | 170,43         | PS12T21 | 110  | 20 | 50 | PD12T21 | 130  | 25 | 70 |
| 22 | 189,3          | 178,48         | PS12T22 | 110  | 20 | 50 | PD12T22 | 130* | 25 | 70 |
| 23 | 197,5          | 186,53         | PS12T23 | 110  | 20 | 50 | PD12T23 | 130* | 25 | 70 |
| 24 | 205,5          | 194,59         | PS12T24 | 110  | 20 | 50 | PD12T24 | 130* | 25 | 70 |
| 25 | 213,5          | 202,66         | PS12T25 | 110  | 20 | 50 | PD12T25 | 130* | 25 | 70 |
| 26 | 221,6          | 210,72         | PS12T26 | 120  | 20 | 50 | PD12T26 | 130* | 25 | 70 |
| 27 | 229,6          | 218,79         | PS12T27 | 120  | 20 | 50 | PD12T27 | 130* | 25 | 70 |
| 28 | 237,7          | 226,85         | PS12T28 | 120  | 20 | 50 | PD12T28 | 130* | 25 | 70 |
| 30 | 254,0          | 243,00         | PS12T30 | 120  | 20 | 50 | PD12T30 | 130* | 25 | 70 |
| 32 | 270,0          | 259,13         | PS12T32 | 120* | 25 | 50 | PD12T32 | 140* | 25 | 70 |
| 34 | 287,0          | 275,28         | PS12T34 | 120* | 25 | 50 | PD12T34 | 140* | 25 | 70 |
| 35 | 296,2          | 283,36         | PS12T35 | 120* | 25 | 50 | PD12T35 | 140* | 25 | 70 |
| 36 | 304,6          | 291,44         | PS12T36 | 120* | 25 | 50 | PD12T36 | 140* | 25 | 70 |
| 38 | 320,7          | 307,59         | PS12T38 | 120* | 25 | 50 | PD12T38 | 140* | 25 | 70 |
| 40 | 336,9          | 323,73         | PS12T40 | 120* | 25 | 50 | PD12T40 | 140* | 25 | 70 |

## 1" 1/4 x 3/4" 20B - 1 - 2 31,75 x 19,56 mm

| Z  | D <sub>e</sub> | D <sub>p</sub> | Simplex |      |    |    | Duplex  |      |    |    |
|----|----------------|----------------|---------|------|----|----|---------|------|----|----|
|    |                |                | cod.    | d    | D  | H  | cod.    | d    | D  | H  |
| 8  | 98,1           | 82,96          | PS13T08 | 53   | 20 | 40 | PD13T08 | 53   | 20 | 75 |
| 9  | 108,0          | 92,84          | PS13T09 | 63   | 20 | 40 | PD13T09 | 63   | 20 | 75 |
| 10 | 117,9          | 102,74         | PS13T10 | 70   | 20 | 40 | PD13T10 | 70   | 20 | 75 |
| 11 | 127,8          | 112,68         | PS13T11 | 77   | 20 | 45 | PD13T11 | 80   | 20 | 80 |
| 12 | 137,8          | 122,68         | PS13T12 | 88   | 20 | 45 | PD13T12 | 90   | 20 | 80 |
| 13 | 147,8          | 132,65         | PS13T13 | 98   | 20 | 45 | PD13T13 | 100  | 20 | 80 |
| 14 | 157,8          | 142,68         | PS13T14 | 108  | 20 | 45 | PD13T14 | 110  | 20 | 80 |
| 15 | 167,9          | 152,72         | PS13T15 | 118  | 20 | 45 | PD13T15 | 120  | 20 | 80 |
| 16 | 177,9          | 162,75         | PS13T16 | 120  | 25 | 50 | PD13T16 | 120  | 25 | 80 |
| 17 | 187,9          | 172,78         | PS13T17 | 120  | 25 | 50 | PD13T17 | 120  | 25 | 80 |
| 18 | 198,0          | 182,85         | PS13T18 | 120  | 25 | 50 | PD13T18 | 120* | 25 | 80 |
| 19 | 208,1          | 192,91         | PS13T19 | 120  | 25 | 50 | PD13T19 | 120* | 25 | 80 |
| 20 | 218,1          | 202,98         | PS13T20 | 120  | 25 | 50 | PD13T20 | 120* | 25 | 80 |
| 21 | 228,2          | 213,04         | PS13T21 | 140  | 25 | 55 | PD13T21 | 140* | 25 | 80 |
| 22 | 238,3          | 223,11         | PS13T22 | 140  | 25 | 55 | PD13T22 | 140* | 25 | 80 |
| 23 | 248,3          | 233,17         | PS13T23 | 140  | 25 | 55 | PD13T23 | 140* | 25 | 80 |
| 24 | 258,4          | 243,23         | PS13T24 | 140  | 25 | 55 | PD13T24 | 140* | 25 | 80 |
| 25 | 268,5          | 253,33         | PS13T25 | 140  | 25 | 55 | PD13T25 | 140* | 25 | 80 |
| 26 | 278,6          | 263,40         | PS13T26 | 150* | 25 | 55 | PD13T26 | 150* | 25 | 80 |
| 27 | 288,6          | 273,48         | PS13T27 | 150* | 25 | 55 | PD13T27 | 150* | 25 | 80 |
| 28 | 298,7          | 283,56         | PS13T28 | 150* | 25 | 55 | PD13T28 | 150* | 25 | 80 |
| 30 | 318,9          | 303,75         | PS13T30 | 150* | 25 | 55 | PD13T30 | 150* | 25 | 80 |
| 32 | 339,1          | 323,91         | PS13T32 | 150* | 25 | 55 | PD13T32 | 150* | 25 | 80 |
| 34 | 359,3          | 334,10         | PS13T34 | 150* | 25 | 55 | PD13T34 | 150* | 25 | 80 |
| 35 | 369,4          | 354,20         | PS13T35 | 150* | 25 | 55 | PD13T35 | 150* | 25 | 80 |
| 36 | 379,5          | 364,30         | PS13T36 | 150* | 25 | 55 | PD13T36 | 150* | 30 | 80 |
| 38 | 399,6          | 384,49         | PS13T38 | 150* | 25 | 55 | PD13T38 | 150* | 30 | 80 |
| 40 | 419,8          | 404,66         | PS13T40 | 150* | 25 | 55 | PD13T40 | 150* | 30 | 80 |



**Pignoni semplici in acciaio inox AISI 304 L**  
**Simplex sprockets in stainless-steel 304 L**  
**Einfach Kettenräder aus Postfreiem Stahl AISI 304 L**  
**Pignons simples en acier inoxydable AISI 304 L**  
**Piñones simples en acero inoxidable AISI 304 L**

Pignoni per catene semplici, a rulli DIN 8187 - ISO/R 606

Sprockets for simplex, chain to DIN 8187 - ISO/R 606

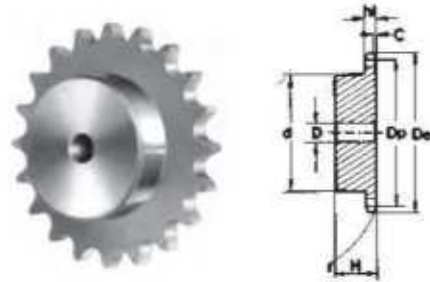
Kettenräder mit einseitiger Nabe für Simplex-Rollenkette nach: DIN 8187 - ISO/R 606

Pignons avec moyeu déporté pour chaînes simples, à rouleaux suivant les normes: DIN 8187 - ISO/R 606

Piñones para cadena, de rodillos según las normas: DIN 8187 - ISO/R 606

**3/8" x 7/32" - 06 B1**

| Z  | D <sub>e</sub> | D <sub>p</sub> | Simplex  |    |    |    |
|----|----------------|----------------|----------|----|----|----|
|    |                |                | cod.     | d  | D  | H  |
| 13 | 43,0           | 39,80          | PS 05X13 | 28 | 10 | 25 |
| 14 | 46,3           | 42,80          | PS 05X14 | 31 | 10 | 25 |
| 15 | 49,3           | 45,81          | PS 05X15 | 34 | 10 | 25 |
| 16 | 52,3           | 48,82          | PS 05X16 | 37 | 10 | 28 |
| 17 | 55,3           | 51,83          | PS 05X17 | 40 | 10 | 28 |
| 18 | 58,3           | 54,85          | PS 05X18 | 43 | 10 | 28 |
| 19 | 61,3           | 57,85          | PS 05X19 | 45 | 10 | 28 |
| 20 | 64,3           | 60,89          | PS 05X20 | 46 | 10 | 28 |
| 21 | 68,0           | 63,91          | PS 05X21 | 48 | 12 | 28 |
| 22 | 71,0           | 66,93          | PS 05X22 | 50 | 12 | 28 |
| 23 | 73,5           | 69,95          | PS 05X23 | 52 | 12 | 28 |
| 24 | 77,0           | 72,97          | PS 05X24 | 54 | 12 | 28 |
| 25 | 80,0           | 76,00          | PS 05X25 | 57 | 12 | 28 |
| 30 | 94,7           | 91,12          | PS 05X30 | 60 | 12 | 28 |



**1/2" x 5/16" - 08 B1**

| Z  | D <sub>e</sub> | D <sub>p</sub> | Simplex  |    |    |    |
|----|----------------|----------------|----------|----|----|----|
|    |                |                | cod.     | d  | D  | H  |
| 12 | 53,0           | 49,03          | PS 09X12 | 33 | 10 | 28 |
| 13 | 57,4           | 53,06          | PS 09X13 | 37 | 10 | 28 |
| 14 | 61,8           | 57,07          | PS 09X14 | 41 | 10 | 28 |
| 15 | 65,5           | 61,09          | PS 09X15 | 45 | 10 | 28 |
| 16 | 69,5           | 65,10          | PS 09X16 | 50 | 12 | 28 |
| 17 | 73,6           | 69,11          | PS 09X17 | 52 | 12 | 28 |
| 18 | 77,8           | 73,14          | PS 09X18 | 56 | 12 | 28 |
| 19 | 81,7           | 77,16          | PS 09X19 | 60 | 12 | 28 |
| 20 | 85,8           | 81,19          | PS 09X20 | 64 | 12 | 28 |
| 21 | 89,7           | 85,22          | PS 09X21 | 68 | 14 | 28 |
| 22 | 93,8           | 89,24          | PS 09X22 | 70 | 14 | 28 |
| 23 | 98,2           | 93,27          | PS 09X23 | 70 | 14 | 28 |
| 24 | 101,8          | 97,29          | PS 09X24 | 70 | 14 | 28 |
| 25 | 105,8          | 101,33         | PS 09X25 | 70 | 14 | 28 |
| 26 | 110,0          | 105,36         | PS 09X26 | 70 | 16 | 30 |
| 30 | 126,1          | 121,50         | PS 09X30 | 80 | 16 | 30 |

**3/4" x 7/16" - 12 B1**

| Z  | D <sub>e</sub> | D <sub>p</sub> | Simplex  |    |    |    |
|----|----------------|----------------|----------|----|----|----|
|    |                |                | cod.     | d  | D  | H  |
| 12 | 81,5           | 73,60          | PS 11X12 | 52 | 14 | 35 |
| 13 | 87,5           | 79,59          | PS 11X13 | 58 | 14 | 35 |
| 14 | 93,6           | 85,61          | PS 11X14 | 64 | 14 | 35 |
| 15 | 99,8           | 91,63          | PS 11X15 | 70 | 14 | 35 |
| 16 | 105,5          | 97,65          | PS 11X16 | 75 | 16 | 35 |
| 17 | 111,5          | 103,67         | PS 11X17 | 80 | 16 | 35 |
| 18 | 118,0          | 109,71         | PS 11X18 | 80 | 16 | 35 |
| 19 | 124,2          | 115,75         | PS 11X19 | 80 | 16 | 35 |
| 20 | 129,7          | 121,78         | PS 11X20 | 80 | 16 | 35 |
| 21 | 136,0          | 127,82         | PS 11X21 | 90 | 20 | 40 |
| 22 | 141,8          | 133,86         | PS 11X22 | 90 | 20 | 40 |
| 23 | 149,0          | 139,90         | PS 11X23 | 90 | 20 | 40 |
| 24 | 153,9          | 145,94         | PS 11X24 | 90 | 20 | 40 |
| 25 | 160,0          | 152,00         | PS 11X25 | 90 | 20 | 40 |
| 30 | 190,5          | 182,25         | PS 11X30 | 95 | 20 | 40 |

**5/8" x 3/8" - 10 B1**

| Z  | D <sub>e</sub> | D <sub>p</sub> | Simplex  |    |    |    |
|----|----------------|----------------|----------|----|----|----|
|    |                |                | cod.     | d  | D  | H  |
| 12 | 68,0           | 61,34          | PS 10X12 | 42 | 12 | 30 |
| 13 | 73,0           | 66,32          | PS 10X13 | 47 | 12 | 30 |
| 14 | 78,0           | 71,34          | PS 10X14 | 52 | 12 | 30 |
| 15 | 83,0           | 76,36          | PS 10X15 | 57 | 12 | 30 |
| 16 | 88,0           | 81,37          | PS 10X16 | 60 | 14 | 30 |
| 17 | 93,0           | 86,39          | PS 10X17 | 60 | 14 | 30 |
| 18 | 98,3           | 91,42          | PS 10X18 | 70 | 14 | 30 |
| 19 | 103,3          | 96,45          | PS 10X19 | 70 | 14 | 30 |
| 20 | 108,4          | 101,49         | PS 10X20 | 75 | 14 | 30 |
| 21 | 113,4          | 106,52         | PS 10X21 | 75 | 16 | 30 |
| 22 | 118,0          | 111,55         | PS 10X22 | 80 | 16 | 30 |
| 23 | 123,4          | 116,58         | PS 10X23 | 80 | 16 | 30 |
| 24 | 128,3          | 121,62         | PS 10X24 | 80 | 16 | 30 |
| 25 | 134,0          | 126,66         | PS 10X25 | 80 | 16 | 30 |
| 30 | 158,8          | 151,87         | PS 10X30 | 90 | 20 | 35 |

**1" x 17,02" - 16 B1**

| Z  | D <sub>e</sub> | D <sub>p</sub> | Simplex  |     |    |    |
|----|----------------|----------------|----------|-----|----|----|
|    |                |                | cod.     | d   | D  | H  |
| 12 | 109,0          | 98,14          | PS 12X12 | 69  | 16 | 40 |
| 13 | 117,0          | 116,12         | PS 12X13 | 78  | 16 | 40 |
| 14 | 125,0          | 114,15         | PS 12X14 | 84  | 16 | 40 |
| 15 | 133,0          | 122,17         | PS 12X15 | 92  | 16 | 40 |
| 16 | 141,0          | 130,20         | PS 12X16 | 100 | 20 | 45 |
| 17 | 149,0          | 138,22         | PS 12X17 | 100 | 20 | 45 |
| 18 | 157,0          | 146,28         | PS 12X18 | 100 | 20 | 45 |
| 19 | 165,2          | 154,33         | PS 12X19 | 100 | 20 | 45 |
| 20 | 173,2          | 162,38         | PS 12X20 | 100 | 20 | 45 |
| 21 | 181,2          | 170,43         | PS 12X21 | 110 | 20 | 50 |
| 22 | 189,3          | 178,48         | PS 12X22 | 110 | 20 | 50 |
| 23 | 197,5          | 186,53         | PS 12X23 | 110 | 20 | 50 |
| 24 | 205,5          | 194,59         | PS 12X24 | 110 | 20 | 50 |
| 25 | 213,5          | 202,66         | PS 12X25 | 110 | 20 | 50 |
| 30 | 254,0          | 243,00         | PS 12X30 | 120 | 20 | 50 |

# AISI 304 L

## Gradi di resistenza alla corrosione

### Corrosion resistance classes / Korrosionsbeständigkeitsklassen

### Classes de résistance à la corrosion / Clases de resistencia a la corrosión

| Agente corrosivo<br>Corrosive agent / Ätzender Stoff<br>Agent corrosif / Agente corrosivo | Concentrazione<br>Concentration / Konzentration<br>Concentration / Concentración<br>% | Temperatura<br>Temperature / Temperatur<br>Température / Temperatura<br>°C | 304 L |
|---|---|--|-------|
| Aceto / Vinegar   |   | 20   | A     |
| Acido acetico / Acetic acid   | 5-100   | 20   | A     |
| Acido butirrico / Butyric acid  | 50  | Bollente-Boiling   | C     |
| Acido citrico / Citric acid   | 5-10  | 20-65  | A     |
| Acido cloridrico / Hydrochloric acid  | 5   | 20-65  | A     |
| Acido cromico / Chromic acid  | 15  | Bollente-Boiling   | A     |
| Acido formico / Formic acid   |   | 20   | E     |
| Acido fosforico / Phosphoric acid   | 5   | 20   | A     |
| Acido lattico / Lactic acid   | 10  | Bollente-Boiling   | C     |
| Acido nitrico / Nitric acid   | 10  | 20   | A     |
| Acido oleico / Oleic acid   | 10  | 50   | B     |
| Acido solforico / Sulphuric acid  | 1   | 20   | A     |
| Acido tartarico / Tartar acid   | 5-10  | 20   | C     |
| Acqua dolce / Water   | 5   | 20   | A     |
| Acqua marina / Sea water  | 5   | 65   | B     |
| Alcool etilico / Ethyl alcohol  | 10  | 20   | A     |
| Alcool metilico / Methyl alcohol  | 10  | Bollente-Boiling   | B     |
| Ammoniaca / Aqua ammonia  | 5-50  | 20   | A     |
| Benzina / Gasoline  | 50  | Bollente-Boiling   | A     |
| Birra / Beer  | 100   | Bollente-Boiling   | D     |
| Caffè / Coffee  | 100   | 20   | B     |
| Carbonato di sodio / Sodium carbonate   | 5   | 20   | A     |
| Cloroformio / Chloroform  | 5   | Bollente-Boiling   | E     |
| Cloruro ferrico / Ferric chloride   | 50  | 20   | D     |
| Cloruro di sodio / Sodium chloride  | 50  | Bollente-Boiling   | E     |
| Cloruro di zinco / Zinc chloride  | 100   | 20   | A     |
| Gelatina / Gelatine   | 100   | Bollente-Boiling   | D     |
| Glicerina / Glycerine   | 10  | 20-65  | A     |
| Irossido di calcio / Hydroxide calcium  |   |  | A     |
| Ketchup / Kettchup  |   |  | A     |
| Latte / Milk  |   | 20-Bollente-Boiling  | A     |
| Mayonnaise / Mayonnaise   |   | 20   | A     |
| Sapone / Soap   |   |  | C     |
| Sciroppo / Syrup  |   | 65   | A     |
| Solfato di zinco / Zinc sulphate  |   | 20   | A     |
| Succhi di frutta / Fruit juice  |   | 20   | A     |
| Tiosolfato di sodio / Sodium thiosulfate  |   |  | A     |
| Tricloroetilene / Trichloroethylene   |   | Bollente-Boiling   | A     |
| Vernici / Paint   | 5   | 20-65  | A     |
| Vino / Wine   |   | 20   | B     |
| Whisky / Whisky   | 1   | 20   | D     |
| Zucchero di canna / Cane sugar  | 5   | 20   | A     |
|   | 5-20  | 20-65  | A     |
|   | 5   | 20   | A     |
|   |   |  | A     |
|   | 10-20   | Bollente-Boiling   | C     |
|   | 50  | Bollente-Boiling   | A     |
|   |   | 20   | A     |
|   |   | 65   | A     |
|   |   | 20   | A     |
|   |   | 20   | A     |
|   |   |  | A     |
|   | 5-100   | 20   | A     |
|   |   |  | A     |
|   | 5-10  | 20-65  | C     |
|   | 100   | 20   | A     |
|   |   |  | A     |
|   |   |  | A     |
|   |   |  | A     |

**A:** ECCELLENTE (grado di corrosione sotto 0,0089 mm/mese) / EXCELLENT (corrosion rate below 0,0089 mm/month) / AUSGEZEICHNET: (Korrosionsgrad unter 0,0089 mm/Monat) / EXCELLENT: (taux de corrosion au-dessous de 0,0089 mm/mois) / EXCELENTE: (tasa de corrosion bajo 0,0089 mm/mes)

**B:** SODDISFACENTE (grado di corrosione 0,0089-0,089 mm/mese) / SATISFACTORY (corrosion rate 0,0089-0,089 mm/month) / AUSREICHEND (Korrosionsgrad 0,0089-0,089 mm/Monat) / SATISFAISANT (taux de corrosion 0,0089-0,089 mm/mois) / SATISFACTORIO (tasa de corrosion 0,0089-0,089 mm/mes)

**C:** MARGINALE (grado di corrosione 0,089-0,25 mm/mese) / MARGINAL (corrosion rate 0,089-0,25 mm/month) / GERING (Korrosionsgrad 0,089-0,25 mm/Monat) / MARGINAL (taux de corrosion 0,089-0,25 mm/mois) / MARGINAL (tasa de corrosion 0,089-0,25 mm/mes)

**D:** INSODDISFACENTE (grado di corrosione 0,25-0,89 mm/mese) / UNSATISFACTORY (corrosion rate 0,25-0,89 mm/month) / UNBEFRIEDIGEND (Korrosionsgrad 0,25-0,89 mm/Monat) / INSATISFAISANT (taux de corrosion 0,25-0,89 mm/mois) / INSATISFACTORIO (tasa de corrosion 0,25-0,89 mm/mes)

**E:** NON RACCOMANDABILE (grado di corrosione oltre 0,0089 mm/mese) / NOT RECOMMENDABLE (corrosion rate over 0,0089 mm/month) / NICHT EMPFEHLENSWERT: (Korrosionsgrad über 0,0089 mm/Monat) / NON RECOMMENDABLE: (taux de corrosion au-dessus de 0,0089 mm/mois) / NO RECOMENDABLE (tasa de corrosion mas de 0,0089 mm/mes)



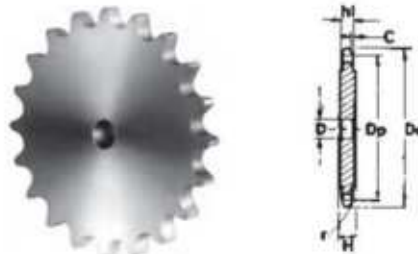
Corone per catene semplici, a rulli secondo:  
DIN 8187 - ISO/R 606  
Corone tornite sui lati,  
dentate con creatore.

Plate wheels for simplex chain to: DIN 8187 - ISO/R 606  
**Plate Wheels turned on both sides and toothed by milling cutter.**

Kettenradscheiben für Simplex-Rollenkette nach:  
DIN 8187 - ISO/R 606  
**Seitlich plan gedrehte, wälzgefräste Zahnkränze.**

Disques pour chaînes simples à rouleaux suivant les normes: DIN 8187 - ISO/R 606  
**Disques tournés sur les flancs, dentés à la fraise.**

Discos para cadena simple de rodillos según:  
DIN 8187 - ISO/R 606  
**Discos torneadas en los lados, dientes obtenidos con fresa madre.**



5 x 2,5 mm

03-1

| CATENA:           | CHAIN:         | KETTE:        | CHAÎNE:            | CADENA:       | ISO mm |
|-------------------|----------------|---------------|--------------------|---------------|--------|
| Passo             | Pitch          | Teilung       | Pas                | Paso          | 5,0    |
| Larghezza interna | Internal width | Innere Breite | Largeur interieure | Ancho interno | 2,5    |
| Rullo ø           | Roller ø       | Rollen ø      | ø du rouleau       | Rodillo ø     | 3,2    |

| CORONE                      | PLATE WHEELS               | KETTENRADSCHIEBEN         | DISQUES                         | DISCOS                      | ISO mm             |
|-----------------------------|----------------------------|---------------------------|---------------------------------|-----------------------------|--------------------|
| Raggio dente r              | Tooth radius r             | Radius r                  | Rayon de denture r              | Radio diente r              | r 5,0              |
| Larghezza raggio C          | Radius width C             | Breite C                  | Largeur de rayon C              | Ancho radio C               | C 0,6              |
| Largh. dente h <sub>1</sub> | Tooth width h <sub>1</sub> | Zahnbreite h <sub>1</sub> | Larg. de denture h <sub>1</sub> | Ancho diente h <sub>1</sub> | h <sub>1</sub> 2,3 |
| Largh. dente L              | Tooth width L              | Zahnbreite L              | Larg. de denture L              | Ancho diente L              | L -                |
| Largh. dente h <sub>2</sub> | Tooth width h <sub>2</sub> | Zahnbreite h <sub>2</sub> | Larg. de denture h <sub>2</sub> | Ancho diente h <sub>2</sub> | h <sub>2</sub> -   |
| Largh. dente h <sub>3</sub> | Tooth width h <sub>3</sub> | Zahnbreite h <sub>3</sub> | Larg. de denture h <sub>3</sub> | Ancho diente h <sub>3</sub> | h <sub>3</sub> -   |
| Altezza totale H            | Full height H              | Gesamt Höhe H             | Hauteur totale H                | Altura total H              | H -                |

A partire da Z = 51 il disco ruota viene maggiorato, H = 4 mm

From Z = 51 the width of the plate is increased, H = 4 mm

Ab Zähnezahl Z = 51 beträgt die Scheibendicke H = 4 mm

A partir de Z = 51 l'épaisseur du disque est augmenté H = 4 mm

A partir de Z = 51 el disco rueda para cadena queda aumentado, H = 4 mm

| Z  | D <sub>e</sub> | D <sub>p</sub> | Simplex  |   | Z  | D <sub>e</sub> | D <sub>p</sub> | Simplex  |    | Z   | D <sub>e</sub> | D <sub>p</sub> | Simplex  |    |
|----|----------------|----------------|----------|---|----|----------------|----------------|----------|----|-----|----------------|----------------|----------|----|
|    |                |                | cod.     | D |    |                |                | cod.     | D  |     |                |                | cod.     | D  |
| 8  | 15,2           | 13,06          | CS 01008 | 4 | 32 | 53,2           | 51,01          | CS 01032 | 8  | 56  | 91,3           | 89,17          | CS 01056 | 10 |
| 9  | 16,8           | 14,62          | CS 01009 | 4 | 33 | 54,8           | 52,60          | CS 01033 | 8  | 57  | 92,9           | 90,76          | CS 01057 | 10 |
| 10 | 18,3           | 16,18          | CS 01010 | 4 | 34 | 56,3           | 54,19          | CS 01034 | 8  | 58  | 94,5           | 92,35          | CS 01058 | 10 |
| 11 | 19,9           | 17,75          | CS 01011 | 5 | 35 | 57,9           | 55,78          | CS 01035 | 8  | 59  | 96,1           | 93,94          | CS 01059 | 10 |
| 12 | 21,5           | 19,32          | CS 01012 | 5 | 36 | 59,5           | 57,37          | CS 01036 | 8  | 60  | 97,7           | 95,53          | CS 01060 | 10 |
| 13 | 23,0           | 20,89          | CS 01013 | 5 | 37 | 61,1           | 58,96          | CS 01037 | 8  | 62  | 100,9          | 98,72          | CS 01062 | 12 |
| 14 | 24,6           | 22,47          | CS 01014 | 5 | 38 | 62,7           | 60,54          | CS 01038 | 8  | 64  | 104,1          | 101,90         | CS 01064 | 12 |
| 15 | 26,2           | 24,04          | CS 01015 | 5 | 39 | 64,3           | 62,13          | CS 01039 | 8  | 65  | 105,6          | 103,49         | CS 01065 | 12 |
| 16 | 27,8           | 25,63          | CS 01016 | 6 | 40 | 65,9           | 63,73          | CS 01040 | 8  | 66  | 107,2          | 105,08         | CS 01066 | 12 |
| 17 | 29,4           | 27,20          | CS 01017 | 6 | 41 | 67,5           | 65,31          | CS 01041 | 8  | 68  | 110,4          | 108,26         | CS 01068 | 12 |
| 18 | 30,9           | 28,79          | CS 01018 | 6 | 42 | 69,1           | 66,91          | CS 01042 | 8  | 70  | 113,6          | 111,44         | CS 01070 | 12 |
| 19 | 32,5           | 30,38          | CS 01019 | 6 | 43 | 70,6           | 68,49          | CS 01043 | 8  | 72  | 116,8          | 114,63         | CS 01072 | 12 |
| 20 | 34,1           | 31,96          | CS 01020 | 6 | 44 | 72,2           | 70,09          | CS 01044 | 8  | 75  | 121,6          | 119,40         | CS 01075 | 12 |
| 21 | 35,7           | 33,54          | CS 01021 | 8 | 45 | 73,8           | 71,68          | CS 01045 | 8  | 76  | 123,1          | 120,99         | CS 01076 | 12 |
| 22 | 37,3           | 35,13          | CS 01022 | 8 | 46 | 75,4           | 73,27          | CS 01046 | 8  | 78  | 126,3          | 124,17         | CS 01078 | 12 |
| 23 | 38,9           | 36,72          | CS 01023 | 8 | 47 | 77,0           | 74,86          | CS 01047 | 8  | 80  | 129,5          | 127,35         | CS 01080 | 12 |
| 24 | 40,5           | 38,30          | CS 01024 | 8 | 48 | 78,6           | 76,45          | CS 01048 | 8  | 85  | 137,5          | 135,31         | CS 01085 | 14 |
| 25 | 42,0           | 39,89          | CS 01025 | 8 | 49 | 80,2           | 78,03          | CS 01049 | 8  | 90  | 145,4          | 143,27         | CS 01090 | 14 |
| 26 | 43,6           | 41,48          | CS 01026 | 8 | 50 | 81,8           | 79,63          | CS 01050 | 8  | 95  | 153,4          | 151,22         | CS 01095 | 14 |
| 27 | 45,2           | 43,07          | CS 01027 | 8 | 51 | 83,4           | 81,22          | CS 01051 | 10 | 100 | 161,3          | 159,18         | CS 01100 | 14 |
| 28 | 46,8           | 44,65          | CS 01028 | 8 | 52 | 85,0           | 82,81          | CS 01052 | 10 | 110 | 177,2          | 175,09         | CS 01110 | 14 |
| 29 | 48,4           | 46,25          | CS 01029 | 8 | 53 | 86,6           | 84,40          | CS 01053 | 10 | 114 | 183,6          | 181,46         | CS 01114 | 14 |
| 30 | 50,0           | 47,83          | CS 01030 | 8 | 54 | 88,1           | 85,97          | CS 01054 | 10 | 120 | 193,2          | 191,01         | CS 01120 | 14 |
| 31 | 51,5           | 49,42          | CS 01031 | 8 | 55 | 89,7           | 87,58          | CS 01055 | 10 | 125 | 201,1          | 198,96         | CS 01125 | 14 |

# Corone / Plate wheels Kettenradscheiben / Disques / Discos

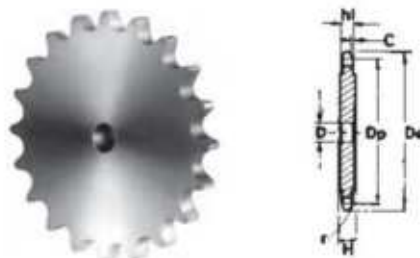
Corone per catene semplici, a rulli secondo:  
DIN 8187 - ISO/R 606  
Corone tornite sui lati,  
dentate con creatore.

Plate wheels for simplex chain to: DIN 8187 - ISO/R 606  
**Plate Wheels turned on both sides and toothed by milling cutter.**

Kettenradscheiben für Simplex-Rollenkette nach:  
DIN 8187 - ISO/R 606  
**Seitlich plan gedrehte, wälzgefäste Zahnkränze.**

Disques pour chaînes simples à rouleaux suivant les normes:  
DIN 8187 - ISO/R 606  
**Disques tournés sur les flancs, dentés à la fraise.**

Discos para cadena simple de rodillos según:  
DIN 8187 - ISO/R 606  
**Discos torneadas en los lados, dientes obtenidos con fresa madre.**



6 x 2,8 mm

04-1

| CATENA:           | CHAIN:         | KETTE:        | CHAÎNE:            | CADENA:       | ISO mm |
|-------------------|----------------|---------------|--------------------|---------------|--------|
| Passo             | Pitch          | Teilung       | Pas                | Paso          | 6,0    |
| Larghezza interna | Internal width | Innere Breite | Largeur interieure | Ancho interno | 2,8    |
| Rullo ø           | Roller ø       | Rollen ø      | ø du rouleau       | Rodillo ø     | 4,0    |

| CORONE                      | PLATE WHEELS               | KETTENRADSCHIEBEN         | DISQUES                         | DISCOS                      | ISO mm             |
|-----------------------------|----------------------------|---------------------------|---------------------------------|-----------------------------|--------------------|
| Raggio dente r              | Tooth radius r             | Radius r                  | Rayon de denture r              | Radio diente r              | r 6,0              |
| Larghezza raggio C          | Radius width C             | Breite C                  | Largeur de rayon C              | Ancho radio C               | C 0,7              |
| Largh. dente h <sub>1</sub> | Tooth width h <sub>1</sub> | Zahnbreite h <sub>1</sub> | Larg. de denture h <sub>1</sub> | Ancho diente h <sub>1</sub> | h <sub>1</sub> 2,6 |
| Largh. dente L              | Tooth width L              | Zahnbreite L              | Larg. de denture L              | Ancho diente L              | L -                |
| Largh. dente h <sub>2</sub> | Tooth width h <sub>2</sub> | Zahnbreite h <sub>2</sub> | Larg. de denture h <sub>2</sub> | Ancho diente h <sub>2</sub> | h <sub>2</sub> -   |
| Largh. dente h <sub>3</sub> | Tooth width h <sub>3</sub> | Zahnbreite h <sub>3</sub> | Larg. de denture h <sub>3</sub> | Ancho diente h <sub>3</sub> | h <sub>3</sub> -   |
| Altezza totale H            | Full height H              | Gesamt Höhe H             | Hauteur totale H                | Altura total H              | H -                |

A partire da Z = 51 il disco ruota viene maggiorato, H = 4 mm

From Z = 51 the width of the plate is increased, H = 4 mm

Ab Zähnezahl Z = 51 beträgt die Scheibendicke H = 4 mm

A partir de Z = 51 l'épaisseur du disque est augmenté H = 4 mm

A partir de Z = 51 el disco rueda para cadena queda aumentado, H = 4 mm

| Z  | D <sub>e</sub> | D <sub>p</sub> | Simplex  |   | Z  | D <sub>e</sub> | D <sub>p</sub> | Simplex  |    | Z   | D <sub>e</sub> | D <sub>p</sub> | Simplex  |    |
|----|----------------|----------------|----------|---|----|----------------|----------------|----------|----|-----|----------------|----------------|----------|----|
|    |                |                | cod.     | D |    |                |                | cod.     | D  |     |                |                | cod.     | D  |
| 8  | 18,0           | 15,67          | CS 02008 | 5 | 32 | 63,6           | 61,21          | CS 02032 | 8  | 56  | 109,5          | 107,00         | CS 02056 | 12 |
| 9  | 19,9           | 17,54          | CS 02009 | 5 | 33 | 65,5           | 63,11          | CS 02033 | 8  | 57  | 111,4          | 108,93         | CS 02057 | 12 |
| 10 | 21,7           | 19,42          | CS 02010 | 6 | 34 | 67,4           | 65,02          | CS 02034 | 8  | 58  | 113,3          | 110,82         | CS 02058 | 12 |
| 11 | 23,7           | 21,30          | CS 02011 | 6 | 35 | 69,3           | 66,93          | CS 02035 | 8  | 59  | 115,2          | 112,71         | CS 02059 | 12 |
| 12 | 25,4           | 23,18          | CS 02012 | 6 | 36 | 71,2           | 68,84          | CS 02036 | 8  | 60  | 117,1          | 114,62         | CS 02060 | 12 |
| 13 | 27,3           | 25,05          | CS 02013 | 8 | 37 | 73,1           | 70,75          | CS 02037 | 8  | 62  | 120,9          | 118,45         | CS 02062 | 14 |
| 14 | 29,2           | 26,96          | CS 02014 | 8 | 38 | 75,0           | 72,66          | CS 02038 | 8  | 64  | 124,7          | 122,27         | CS 02064 | 14 |
| 15 | 31,1           | 28,86          | CS 02015 | 8 | 39 | 76,9           | 74,56          | CS 02039 | 8  | 65  | 126,6          | 124,18         | CS 02065 | 14 |
| 16 | 33,0           | 30,76          | CS 02016 | 8 | 40 | 78,9           | 76,47          | CS 02040 | 8  | 66  | 128,5          | 126,09         | CS 02066 | 14 |
| 17 | 35,0           | 32,65          | CS 02017 | 8 | 41 | 80,8           | 78,38          | CS 02041 | 10 | 68  | 132,4          | 129,91         | CS 02068 | 14 |
| 18 | 36,9           | 34,55          | CS 02018 | 8 | 42 | 82,7           | 80,28          | CS 02042 | 10 | 70  | 136,2          | 133,73         | CS 02070 | 14 |
| 19 | 38,8           | 36,44          | CS 02019 | 8 | 43 | 84,7           | 82,19          | CS 02043 | 10 | 72  | 140,0          | 137,55         | CS 02072 | 16 |
| 20 | 40,7           | 38,34          | CS 02020 | 8 | 44 | 86,6           | 84,10          | CS 02044 | 10 | 75  | 145,7          | 143,28         | CS 02075 | 16 |
| 21 | 42,6           | 40,25          | CS 02021 | 8 | 45 | 88,5           | 86,01          | CS 02045 | 10 | 76  | 147,6          | 145,19         | CS 02076 | 16 |
| 22 | 44,5           | 42,16          | CS 02022 | 8 | 46 | 90,4           | 87,92          | CS 02046 | 10 | 78  | 151,5          | 149,01         | CS 02078 | 16 |
| 23 | 46,4           | 44,06          | CS 02023 | 8 | 47 | 92,3           | 89,83          | CS 02047 | 10 | 80  | 155,3          | 152,82         | CS 02080 | 16 |
| 24 | 48,3           | 45,96          | CS 02024 | 8 | 48 | 94,2           | 91,74          | CS 02048 | 10 | 85  | 164,8          | 162,37         | CS 02085 | 16 |
| 25 | 50,2           | 47,87          | CS 02025 | 8 | 49 | 96,1           | 93,64          | CS 02049 | 10 | 90  | 174,4          | 171,92         | CS 02090 | 16 |
| 26 | 52,1           | 49,77          | CS 02026 | 8 | 50 | 98,0           | 95,55          | CS 02050 | 10 | 95  | 183,9          | 181,47         | CS 02095 | 16 |
| 27 | 54,0           | 51,67          | CS 02027 | 8 | 51 | 99,9           | 97,47          | CS 02051 | 12 | 100 | 193,5          | 191,01         | CS 02100 | 16 |
| 28 | 55,9           | 53,58          | CS 02028 | 8 | 52 | 101,8          | 99,37          | CS 02052 | 12 | 110 | 211,6          | 210,11         | CS 02110 | 16 |
| 29 | 57,8           | 55,50          | CS 02029 | 8 | 53 | 103,7          | 101,27         | CS 02053 | 12 | 114 | 220,2          | 217,75         | CS 02114 | 16 |
| 30 | 59,8           | 57,42          | CS 02030 | 8 | 54 | 105,6          | 103,17         | CS 02054 | 12 | 120 | 231,7          | 229,20         | CS 02120 | 16 |
| 31 | 61,7           | 59,31          | CS 02031 | 8 | 55 | 107,6          | 105,08         | CS 02055 | 12 | 125 | 241,2          | 238,75         | CS 02125 | 16 |



# Corone / Plate wheels Kettenradscheiben / Disques / Discos

Corone per catene semplici, a rulli secondo: DIN 8188 - ISO/R 606 - ANSI B29,1

Corone tornite sui lati, dentate con creatore.

Plate wheels for simplex chain to: DIN 8188 - ISO/R 606 - ANSI B29,1

Plate Wheels turned on both sides and toothed by milling cutter.

Kettenradscheiben für Simplex-Rollenkette nach: DIN 8188 - ISO/R 606 - ANSI B29,1

Seitlich plan gedrehte, wälzgefräste Zahnkränze.

Disques pour chaînes simples à rouleaux suivant les normes: DIN 8188 - ISO/R 606 - ANSI B29,1

Disques tournés sur les flancs, dentés à la fraise.

Discos para cadena simple de rodillos según: DIN 8188 - ISO/R 606 - ANSI B29,1

Discos torneadas en los lados, dientes obtenidos con fresa madre.



1/4" x 1/8"

ASA 25-1 6,35 x 3,18 mm

| CATENA:           | CHAIN:         | KETTE:        | CHAÎNE:            | CADENA:       | ASA 25 mm |
|-------------------|----------------|---------------|--------------------|---------------|-----------|
| Passo             | Pitch          | Teilung       | Pas                | Paso          | 6,35      |
| Larghezza interna | Internal width | Innere Breite | Largeur interieure | Ancho interno | 3,18      |
| Rullo ø           | Roller ø       | Rollen ø      | ø du rouleau       | Rodillo ø     | 3,30      |

| CORONE                      | PLATE WHEELS               | KETTENRADSCHIEBEN         | DISQUES                         | DISCOS                      | ASA mm             |
|-----------------------------|----------------------------|---------------------------|---------------------------------|-----------------------------|--------------------|
| Raggio dente r              | Tooth radius r             | Radius r                  | Rayon de denture r              | Radio diente r              | r 6,4              |
| Larghezza raggio C          | Radius width C             | Breite C                  | Largeur de rayon C              | Ancho radio C               | C 0,7              |
| Largh. dente h <sub>1</sub> | Tooth width h <sub>1</sub> | Zahnbreite h <sub>1</sub> | Larg. de denture h <sub>1</sub> | Ancho diente h <sub>1</sub> | h <sub>1</sub> 2,9 |
| Largh. dente L              | Tooth width L              | Zahnbreite L              | Larg. de denture L              | Ancho diente L              | L -                |
| Largh. dente h <sub>2</sub> | Tooth width h <sub>2</sub> | Zahnbreite h <sub>2</sub> | Larg. de denture h <sub>2</sub> | Ancho diente h <sub>2</sub> | h <sub>2</sub> -   |
| Largh. dente h <sub>3</sub> | Tooth width h <sub>3</sub> | Zahnbreite h <sub>3</sub> | Larg. de denture h <sub>3</sub> | Ancho diente h <sub>3</sub> | h <sub>3</sub> -   |
| Altezza totale H            | Full height H              | Gesamt Höhe H             | Hauteur totale H                | Altura total H              | H -                |

A partire da Z = 51 il disco ruota viene maggiorato, H = 4 mm

From Z = 51 the width of the plate is increased, H = 4 mm

Ab Zähnezahl Z = 51 beträgt die Scheibendicke H = 4 mm

A partir de Z = 51 l'épaisseur du disque est augmenté H = 4 mm

A partir de Z = 51 el disco rueda para cadena queda aumentado, H = 4 mm

| Z  | D <sub>e</sub> | D <sub>p</sub> | Simplex  |    | Z  | D <sub>e</sub> | D <sub>p</sub> | Simplex  |    | Z   | D <sub>e</sub> | D <sub>p</sub> | Simplex  |    |
|----|----------------|----------------|----------|----|----|----------------|----------------|----------|----|-----|----------------|----------------|----------|----|
|    |                |                | cod.     | D  |    |                |                | cod.     | D  |     |                |                | cod.     | D  |
| 8  | 19,4           | 16,58          | CS 03008 | 6  | 32 | 67,6           | 64,78          | CS 03032 | 10 | 56  | 116,0          | 113,25         | CS 03056 | 12 |
| 9  | 21,4           | 18,56          | CS 03009 | 6  | 33 | 69,6           | 66,80          | CS 03033 | 10 | 57  | 118,1          | 115,27         | CS 03057 | 12 |
| 10 | 23,3           | 20,55          | CS 03010 | 6  | 34 | 71,6           | 68,82          | CS 03034 | 10 | 58  | 120,1          | 117,29         | CS 03058 | 12 |
| 11 | 25,3           | 22,54          | CS 03011 | 8  | 35 | 73,6           | 70,84          | CS 03035 | 10 | 59  | 122,1          | 119,31         | CS 03059 | 12 |
| 12 | 27,3           | 24,53          | CS 03012 | 8  | 36 | 75,6           | 72,85          | CS 03036 | 10 | 60  | 124,1          | 121,32         | CS 03060 | 12 |
| 13 | 29,3           | 26,53          | CS 03013 | 8  | 37 | 77,7           | 74,87          | CS 03037 | 10 | 62  | 128,2          | 125,37         | CS 03062 | 12 |
| 14 | 31,3           | 28,53          | CS 03014 | 8  | 38 | 79,7           | 76,89          | CS 03038 | 10 | 64  | 132,2          | 129,41         | CS 03064 | 12 |
| 15 | 33,3           | 30,55          | CS 03015 | 8  | 39 | 81,7           | 78,91          | CS 03039 | 10 | 65  | 134,2          | 131,43         | CS 03065 | 12 |
| 16 | 35,3           | 32,55          | CS 03016 | 8  | 40 | 83,7           | 80,93          | CS 03040 | 10 | 66  | 136,2          | 133,45         | CS 03066 | 14 |
| 17 | 37,3           | 34,55          | CS 03017 | 8  | 41 | 85,7           | 82,95          | CS 03041 | 10 | 68  | 140,3          | 137,49         | CS 03068 | 14 |
| 18 | 39,4           | 36,56          | CS 03018 | 8  | 42 | 87,8           | 84,97          | CS 03042 | 10 | 70  | 144,3          | 141,53         | CS 03070 | 14 |
| 19 | 41,4           | 38,58          | CS 03019 | 8  | 43 | 89,8           | 86,98          | CS 03043 | 10 | 72  | 148,4          | 145,58         | CS 03072 | 14 |
| 20 | 43,4           | 40,58          | CS 03020 | 8  | 44 | 91,8           | 89,01          | CS 03044 | 10 | 75  | 154,4          | 151,63         | CS 03075 | 14 |
| 21 | 45,4           | 42,60          | CS 03021 | 8  | 45 | 93,8           | 91,03          | CS 03045 | 10 | 76  | 156,5          | 153,66         | CS 03076 | 14 |
| 22 | 47,4           | 44,62          | CS 03022 | 8  | 46 | 95,8           | 93,05          | CS 03046 | 10 | 78  | 160,5          | 157,70         | CS 03078 | 16 |
| 23 | 49,4           | 46,63          | CS 03023 | 8  | 47 | 97,9           | 95,07          | CS 03047 | 10 | 80  | 164,5          | 161,74         | CS 03080 | 16 |
| 24 | 51,4           | 48,64          | CS 03024 | 8  | 48 | 99,9           | 97,09          | CS 03048 | 10 | 85  | 174,6          | 171,85         | CS 03085 | 16 |
| 25 | 53,3           | 50,66          | CS 03025 | 8  | 49 | 101,9          | 99,10          | CS 03049 | 10 | 90  | 184,7          | 181,95         | CS 03090 | 16 |
| 26 | 55,5           | 52,67          | CS 03026 | 8  | 50 | 103,9          | 101,13         | CS 03050 | 10 | 95  | 194,8          | 192,05         | CS 03095 | 16 |
| 27 | 57,5           | 54,69          | CS 03027 | 8  | 51 | 105,9          | 103,14         | CS 03051 | 12 | 100 | 204,9          | 202,15         | CS 03100 | 16 |
| 28 | 59,5           | 56,71          | CS 03028 | 8  | 52 | 108,0          | 105,16         | CS 03052 | 12 | 110 | 225,1          | 222,37         | CS 03110 | 16 |
| 29 | 61,5           | 58,73          | CS 03029 | 8  | 53 | 110,0          | 107,18         | CS 03053 | 12 | 114 | 233,2          | 230,45         | CS 03114 | 16 |
| 30 | 63,6           | 60,75          | CS 03030 | 8  | 54 | 112,0          | 109,18         | CS 03054 | 12 | 120 | 245,4          | 242,58         | CS 03120 | 16 |
| 31 | 65,6           | 62,76          | CS 03031 | 10 | 55 | 114,0          | 111,23         | CS 03055 | 12 | 125 | 255,5          | 252,68         | CS 03125 | 16 |

# Corone / Plate wheels Kettenradscheiben / Disques / Discos

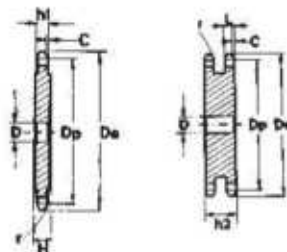
Corone per catene semplici e doppie, a rulli secondo: DIN 8187 - ISO/R 606  
Corone tornite sui lati, dentate con creatore.

Plate wheels for simplex and duplex chain to: DIN 8187 - ISO/R 606  
Plate Wheels turned on both sides and toothed by milling cutter.

Kettenradscheiben für Simplex- und duplex-Rollenkette nach: DIN 8187 - ISO/R 606  
Seitlich plan gedrehte, wälzgefräste Zahnkränze.

Disques pour chaînes simples et doubles à rouleaux suivant les normes: DIN 8187 - ISO/R 606  
Disques tournés sur les flancs, dentés à la fraise.

Discos para cadena simple y doble de rodillos según: DIN 8187 - ISO/R 606  
Discos torneadas en los lados, dientes obtenidos con fresa madre.



8 x 3,0 mm

05B-1-2

| CATENA:           | CHAIN:         | KETTE:        | CHAÎNE:            | CADENA:       | ISO mm |
|-------------------|----------------|---------------|--------------------|---------------|--------|
| Passo             | Pitch          | Teilung       | Pas                | Paso          | 8,0    |
| Larghezza interna | Internal width | Innere Breite | Largeur interieure | Ancho interno | 3,0    |
| Rullo ø           | Roller ø       | Rollen ø      | ø du rouleau       | Rodillo ø     | 5,0    |

| CORONE                      | PLATE WHEELS               | KETTENRADSCHIEBEN         | DISQUES                         | DISCOS                      | ISO mm             |
|-----------------------------|----------------------------|---------------------------|---------------------------------|-----------------------------|--------------------|
| Raggio dente r              | Tooth radius r             | Radius r                  | Rayon de denture r              | Radio diente r              | r 8,0              |
| Larghezza raggio C          | Radius width C             | Breite C                  | Largeur de rayon C              | Ancho radio C               | C 1,0              |
| Largh. dente h <sub>1</sub> | Tooth width h <sub>1</sub> | Zahnbreite h <sub>1</sub> | Larg. de denture h <sub>1</sub> | Ancho diente h <sub>1</sub> | h <sub>1</sub> 2,8 |
| Largh. dente L              | Tooth width L              | Zahnbreite L              | Larg. de denture L              | Ancho diente L              | L 2,7              |
| Largh. dente h <sub>2</sub> | Tooth width h <sub>2</sub> | Zahnbreite h <sub>2</sub> | Larg. de denture h <sub>2</sub> | Ancho diente h <sub>2</sub> | h <sub>2</sub> 8,3 |
| Largh. dente h <sub>3</sub> | Tooth width h <sub>3</sub> | Zahnbreite h <sub>3</sub> | Larg. de denture h <sub>3</sub> | Ancho diente h <sub>3</sub> | h <sub>3</sub> -   |
| Altezza totale H            | Full height H              | Gesamt Höhe H             | Hauteur totale H                | Altura total H              | H -                |

A partire da Z = 51 il disco ruota viene maggiorato, H = 4 mm

From Z = 51 the width of the plate is increased, H = 4 mm

Ab Zähnezahl Z = 51 beträgt die Scheibendicke H = 4 mm

A partir de Z = 51 l'épaisseur du disque est augmenté H = 4 mm

A partir de Z = 51 el disco rueda para cadena queda aumentado, H = 4 mm

| Z  | D <sub>e</sub> | D <sub>p</sub> | Simplex  |    | Duplex   |    | Z   | D <sub>e</sub> | D <sub>p</sub> | Simplex  |    | Duplex   |    |
|----|----------------|----------------|----------|----|----------|----|-----|----------------|----------------|----------|----|----------|----|
|    |                |                | cod.     | D  | cod.     | D  |     |                |                | cod.     | D  | cod.     | D  |
| 8  | 24,0           | 20,90          | CS 04008 | 6  | CD 04008 | 6  | 44  | 115,5          | 112,14         | CS 04044 | 12 | CD 04044 | 14 |
| 9  | 26,6           | 23,39          | CS 04009 | 6  | CD 04009 | 6  | 45  | 118,0          | 114,69         | CS 04045 | 12 | CD 04045 | 14 |
| 10 | 29,2           | 25,89          | CS 04010 | 8  | CD 04010 | 8  | 46  | 120,6          | 117,23         | CS 04046 | 12 | CD 04046 | 14 |
| 11 | 31,7           | 28,39          | CS 04011 | 8  | CD 04011 | 8  | 47  | 123,1          | 119,77         | CS 04047 | 12 | CD 04047 | 14 |
| 12 | 34,2           | 30,91          | CS 04012 | 8  | CD 04012 | 8  | 48  | 125,6          | 122,32         | CS 04048 | 12 | CD 04048 | 14 |
| 13 | 36,7           | 33,42          | CS 04013 | 8  | CD 04013 | 8  | 49  | 128,2          | 124,86         | CS 04049 | 12 | CD 04049 | 14 |
| 14 | 39,2           | 35,95          | CS 04014 | 8  | CD 04014 | 8  | 50  | 130,7          | 127,41         | CS 04050 | 12 | CD 04050 | 14 |
| 15 | 41,7           | 38,48          | CS 04015 | 8  | CD 04015 | 8  | 51  | 133,3          | 129,95         | CS 04051 | 14 | CD 04051 | 16 |
| 16 | 44,3           | 41,01          | CS 04016 | 8  | CD 04016 | 10 | 52  | 135,8          | 132,49         | CS 04052 | 14 | CD 04052 | 16 |
| 17 | 46,8           | 43,53          | CS 04017 | 8  | CD 04017 | 10 | 53  | 138,4          | 135,04         | CS 04053 | 14 | CD 04053 | 16 |
| 18 | 49,3           | 46,07          | CS 04018 | 8  | CD 04018 | 10 | 54  | 140,9          | 137,59         | CS 04054 | 14 | CD 04054 | 16 |
| 19 | 51,9           | 48,61          | CS 04019 | 8  | CD 04019 | 10 | 55  | 143,5          | 140,13         | CS 04055 | 14 | CD 04055 | 16 |
| 20 | 54,4           | 51,14          | CS 04020 | 8  | CD 04020 | 10 | 56  | 146,0          | 142,68         | CS 04056 | 14 | CD 04056 | 16 |
| 21 | 57,0           | 53,67          | CS 04021 | 8  | CD 04021 | 10 | 57  | 148,6          | 145,22         | CS 04057 | 14 | CD 04057 | 16 |
| 22 | 59,5           | 56,21          | CS 04022 | 8  | CD 04022 | 10 | 58  | 151,0          | 147,77         | CS 04058 | 14 | CD 04058 | 16 |
| 23 | 62,0           | 58,75          | CS 04023 | 8  | CD 04023 | 10 | 59  | 153,6          | 150,31         | CS 04059 | 14 | CD 04059 | 16 |
| 24 | 64,6           | 61,29          | CS 04024 | 8  | CD 04024 | 10 | 60  | 156,2          | 152,85         | CS 04060 | 14 | CD 04060 | 16 |
| 25 | 67,5           | 63,83          | CS 04025 | 8  | CD 04025 | 10 | 62  | 162,0          | 157,95         | CS 04062 | 16 | CD 04062 | 20 |
| 26 | 69,5           | 66,37          | CS 04026 | 10 | CD 04026 | 12 | 64  | 167,1          | 163,04         | CS 04064 | 16 | CD 04064 | 20 |
| 27 | 72,2           | 68,91          | CS 04027 | 10 | CD 04027 | 12 | 65  | 169,2          | 165,58         | CS 04065 | 16 | CD 04065 | 20 |
| 28 | 74,8           | 71,45          | CS 04028 | 10 | CD 04028 | 12 | 66  | 172,2          | 168,13         | CS 04066 | 16 | CD 04066 | 20 |
| 29 | 77,3           | 73,99          | CS 04029 | 10 | CD 04029 | 12 | 68  | 177,3          | 173,22         | CS 04068 | 16 | CD 04068 | 20 |
| 30 | 79,8           | 76,53          | CS 04030 | 10 | CD 04030 | 12 | 70  | 182,4          | 178,31         | CS 04070 | 16 | CD 04070 | 20 |
| 31 | 82,4           | 79,08          | CS 04031 | 10 | CD 04031 | 12 | 72  | 187,5          | 183,41         | CS 04072 | 20 | CD 04072 | 20 |
| 32 | 84,9           | 81,61          | CS 04032 | 10 | CD 04032 | 12 | 75  | 195,1          | 191,04         | CS 04075 | 20 | CD 04075 | 20 |
| 33 | 87,5           | 84,16          | CS 04033 | 10 | CD 04033 | 12 | 76  | 197,7          | 193,59         | CS 04076 | 20 | CD 04076 | 20 |
| 34 | 90,0           | 86,70          | CS 04034 | 10 | CD 04034 | 12 | 78  | 202,8          | 198,68         | CS 04078 | 20 | CD 04078 | 20 |
| 35 | 92,5           | 89,24          | CS 04035 | 10 | CD 04035 | 12 | 80  | 207,9          | 203,77         | CS 04080 | 20 | CD 04080 | 20 |
| 36 | 95,0           | 91,79          | CS 04036 | 10 | CD 04036 | 12 | 85  | 220,6          | 216,50         | CS 04085 | 20 | CD 04085 | 20 |
| 37 | 97,6           | 94,33          | CS 04037 | 10 | CD 04037 | 12 | 90  | 233,4          | 229,23         | CS 04090 | 20 | CD 04090 | 20 |
| 38 | 100,2          | 96,88          | CS 04038 | 10 | CD 04038 | 12 | 95  | 246,1          | 241,96         | CS 04095 | 20 | CD 04095 | 20 |
| 39 | 102,7          | 99,42          | CS 04039 | 10 | CD 04039 | 12 | 100 | 258,9          | 254,68         | CS 04100 | 20 | CD 04100 | 20 |
| 40 | 105,2          | 101,97         | CS 04040 | 10 | CD 04040 | 12 | 110 | 284,3          | 280,15         | CS 04110 | 20 | CD 04110 | 20 |
| 41 | 107,8          | 104,51         | CS 04041 | 12 | CD 04041 | 14 | 114 | 294,5          | 290,33         | CS 04114 | 20 | CD 04114 | 20 |
| 42 | 110,4          | 107,05         | CS 04042 | 12 | CD 04042 | 14 | 120 | 310,0          | 305,61         | CS 04120 | 20 | CD 04120 | 20 |
| 43 | 112,9          | 109,60         | CS 04043 | 12 | CD 04043 | 14 | 125 | 322,5          | 318,34         | CS 04125 | 20 | CD 04125 | 20 |



# Corone / Plate wheels Kettenradscheiben / Disques / Discos

Corone per catene semplici, doppie e triple a rulli secondo: DIN 8187 - ISO/R 606

Corone tornite sui lati, dentate con creatore.

Plate wheels for simplex duplex and triplex chain to: DIN 8187 - ISO/R 606

Plate Wheels turned on both sides and toothed by milling cutter.

Kettenradscheiben für Simplex-Duplex-Triplex-Rollenkette nach: DIN 8187 - ISO/R 606

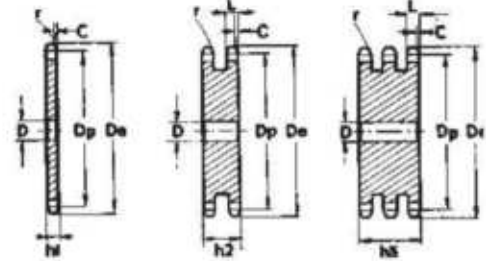
Seitlich plan gedrehte, wälzgefräste Zahnkränze.

Disques pour chaînes simples, doubles et triples à rouleaux suivant les normes: DIN 8187 - ISO/R 606

Disques tournés sur les flancs, dentés à la fraise.

Discos para cadena simple, doble y triple de rodillos según: DIN 8187 - ISO/R 606

Discos torneadas en los lados, dientes obtenidos con fresa madre.



3/8" x 7/32"

06B - 1-2-3 9,525 x 5,72 mm

| CATENA:           | CHAIN:         | KETTE:        | CHAÎNE:            | CADENA:       | ISO mm |
|-------------------|----------------|---------------|--------------------|---------------|--------|
| Passo             | Pitch          | Teilung       | Pas                | Paso          | 9,525  |
| Larghezza interna | Internal width | Innere Breite | Largeur interieure | Ancho interno | 5,720  |
| Rullo ø           | Roller ø       | Rollen ø      | ø du rouleau       | Rodillo ø     | 6,350  |

| CORONE                      | PLATE WHEELS               | KETTENRADSCHIEBEN         | DISQUES                         | DISCOS                      | ISO mm              |
|-----------------------------|----------------------------|---------------------------|---------------------------------|-----------------------------|---------------------|
| Raggio dente r              | Tooth radius r             | Radius r                  | Rayon de denture r              | Radio diente r              | r 10,0              |
| Larghezza raggio C          | Radius width C             | Breite C                  | Largeur de rayon C              | Ancho radio C               | C 1,0               |
| Largh. dente h <sub>1</sub> | Tooth width h <sub>1</sub> | Zahnbreite h <sub>1</sub> | Larg. de denture h <sub>1</sub> | Ancho diente h <sub>1</sub> | h <sub>1</sub> 5,3  |
| Largh. dente L              | Tooth width L              | Zahnbreite L              | Larg. de denture L              | Ancho diente L              | L 5,2               |
| Largh. dente h <sub>2</sub> | Tooth width h <sub>2</sub> | Zahnbreite h <sub>2</sub> | Larg. de denture h <sub>2</sub> | Ancho diente h <sub>2</sub> | h <sub>2</sub> 15,4 |
| Largh. dente h <sub>3</sub> | Tooth width h <sub>3</sub> | Zahnbreite h <sub>3</sub> | Larg. de denture h <sub>3</sub> | Ancho diente h <sub>3</sub> | h <sub>3</sub> 25,6 |
| Altezza totale H            | Full height H              | Gesamt Höhe H             | Hauteur totale H                | Altura total H              | H -                 |

A partire da Z = 100 il disco ruota viene maggiorato, H = 7 mm

From Z = 100 the width of the plate is increased, H = 7 mm

Ab Zähnezahl Z = 100 beträgt die Scheibendicke H = 7 mm

A partir de Z = 100 l'épaisseur du disque est augmenté H = 7 mm

A partir de Z = 100 el disco rueda para cadena queda aumentado, H = 7 mm

| Z  | D <sub>e</sub> | D <sub>p</sub> | Simplex  |    | Duplex   |    | Triplex  |    | Z   | D <sub>e</sub> | D <sub>p</sub> | Simplex  |    | Duplex   |    | Triplex  |    |
|----|----------------|----------------|----------|----|----------|----|----------|----|-----|----------------|----------------|----------|----|----------|----|----------|----|
|    |                |                | cod.     | D  | cod.     | D  | cod.     | D  |     |                |                | cod.     | D  | cod.     | D  | cod.     | D  |
| 8  | 28,0           | 24,89          | CS 05008 | 6  | CD 05008 | 6  | CT 05008 | 6  | 44  | 137,6          | 133,52         | CS 05044 | 16 | CD 05044 | 16 | CT 05044 | 16 |
| 9  | 31,0           | 27,85          | CS 05009 | 7  | CD 05009 | 8  | CT 05009 | 8  | 45  | 140,7          | 136,54         | CS 05045 | 16 | CD 05045 | 16 | CT 05045 | 16 |
| 10 | 34,0           | 30,82          | CS 05010 | 7  | CD 05010 | 8  | CT 05010 | 10 | 46  | 143,7          | 139,58         | CS 05046 | 16 | CD 05046 | 16 | CT 05046 | 16 |
| 11 | 37,0           | 33,80          | CS 05011 | 8  | CD 05011 | 10 | CT 05011 | 10 | 47  | 146,7          | 142,61         | CS 05047 | 16 | CD 05047 | 16 | CT 05047 | 16 |
| 12 | 40,0           | 36,80          | CS 05012 | 8  | CD 05012 | 10 | CT 05012 | 10 | 48  | 149,7          | 145,64         | CS 05048 | 16 | CD 05048 | 16 | CT 05048 | 16 |
| 13 | 43,0           | 39,80          | CS 05013 | 8  | CD 05013 | 10 | CT 05013 | 10 | 49  | 152,7          | 148,66         | CS 05049 | 16 | CD 05049 | 16 | CT 05049 | 16 |
| 14 | 46,3           | 42,80          | CS 05014 | 8  | CD 05014 | 10 | CT 05014 | 12 | 50  | 155,7          | 151,69         | CS 05050 | 16 | CD 05050 | 16 | CT 05050 | 16 |
| 15 | 49,3           | 45,81          | CS 05015 | 8  | CD 05015 | 10 | CT 05015 | 12 | 51  | 158,7          | 154,72         | CS 05051 | 16 | CD 05051 | 16 | CT 05051 | 20 |
| 16 | 52,3           | 48,82          | CS 05016 | 10 | CD 05016 | 12 | CT 05016 | 12 | 52  | 161,8          | 157,75         | CS 05052 | 16 | CD 05052 | 16 | CT 05052 | 20 |
| 17 | 55,3           | 51,83          | CS 05017 | 10 | CD 05017 | 12 | CT 05017 | 12 | 53  | 164,8          | 160,78         | CS 05053 | 16 | CD 05053 | 16 | CT 05053 | 20 |
| 18 | 58,3           | 54,85          | CS 05018 | 10 | CD 05018 | 12 | CT 05018 | 12 | 54  | 167,8          | 163,82         | CS 05054 | 16 | CD 05054 | 16 | CT 05054 | 20 |
| 19 | 61,3           | 57,87          | CS 05019 | 10 | CD 05019 | 12 | CT 05019 | 12 | 55  | 170,8          | 166,85         | CS 05055 | 16 | CD 05055 | 16 | CT 05055 | 20 |
| 20 | 64,3           | 60,89          | CS 05020 | 10 | CD 05020 | 12 | CT 05020 | 12 | 56  | 173,8          | 169,88         | CS 05056 | 16 | CD 05056 | 16 | CT 05056 | 20 |
| 21 | 68,0           | 63,91          | CS 05021 | 10 | CD 05021 | 12 | CT 05021 | 14 | 57  | 176,9          | 172,91         | CS 05057 | 16 | CD 05057 | 16 | CT 05057 | 20 |
| 22 | 71,0           | 66,93          | CS 05022 | 10 | CD 05022 | 12 | CT 05022 | 14 | 58  | 179,9          | 175,93         | CS 05058 | 16 | CD 05058 | 16 | CT 05058 | 20 |
| 23 | 73,5           | 69,95          | CS 05023 | 10 | CD 05023 | 12 | CT 05023 | 14 | 59  | 183,0          | 178,96         | CS 05059 | 16 | CD 05059 | 16 | CT 05059 | 20 |
| 24 | 77,0           | 72,97          | CS 05024 | 10 | CD 05024 | 12 | CT 05024 | 14 | 60  | 186,0          | 181,99         | CS 05060 | 16 | CD 05060 | 16 | CT 05060 | 20 |
| 25 | 80,0           | 76,00          | CS 05025 | 10 | CD 05025 | 12 | CT 05025 | 14 | 62  | 192,1          | 188,06         | CS 05062 | 20 | CD 05062 | 20 | CT 05062 | 20 |
| 26 | 83,0           | 79,02          | CS 05026 | 10 | CD 05026 | 12 | CT 05026 | 14 | 64  | 198,2          | 194,12         | CS 05064 | 20 | CD 05064 | 20 | CT 05064 | 20 |
| 27 | 86,0           | 82,04          | CS 05027 | 10 | CD 05027 | 12 | CT 05027 | 14 | 65  | 201,6          | 197,15         | CS 05065 | 20 | CD 05065 | 20 | CT 05065 | 20 |
| 28 | 89,0           | 85,07          | CS 05028 | 10 | CD 05028 | 12 | CT 05028 | 14 | 66  | 204,6          | 200,18         | CS 05066 | 20 | CD 05066 | 20 | CT 05066 | 25 |
| 29 | 92,0           | 88,09          | CS 05029 | 10 | CD 05029 | 12 | CT 05029 | 14 | 68  | 210,7          | 206,24         | CS 05068 | 20 | CD 05068 | 20 | CT 05068 | 25 |
| 30 | 94,7           | 91,12          | CS 05030 | 10 | CD 05030 | 12 | CT 05030 | 14 | 70  | 216,7          | 212,30         | CS 05070 | 20 | CD 05070 | 20 | CT 05070 | 25 |
| 31 | 98,3           | 94,15          | CS 05031 | 12 | CD 05031 | 14 | CT 05031 | 16 | 72  | 222,8          | 218,37         | CS 05072 | 20 | CD 05072 | 20 | CT 05072 | 25 |
| 32 | 101,3          | 97,17          | CS 05032 | 12 | CD 05032 | 14 | CT 05032 | 16 | 75  | 231,9          | 227,46         | CS 05075 | 20 | CD 05075 | 20 | CT 05075 | 25 |
| 33 | 104,3          | 100,20         | CS 05033 | 12 | CD 05033 | 14 | CT 05033 | 16 | 76  | 234,9          | 230,49         | CS 05076 | 20 | CD 05076 | 20 | CT 05076 | 25 |
| 34 | 107,3          | 103,23         | CS 05034 | 12 | CD 05034 | 14 | CT 05034 | 16 | 78  | 241,0          | 236,55         | CS 05078 | 20 | CD 05078 | 20 | CT 05078 | 25 |
| 35 | 110,4          | 106,26         | CS 05035 | 12 | CD 05035 | 14 | CT 05035 | 16 | 80  | 247,1          | 242,61         | CS 05080 | 20 | CD 05080 | 20 | CT 05080 | 25 |
| 36 | 113,4          | 109,29         | CS 05036 | 12 | CD 05036 | 14 | CT 05036 | 16 | 85  | 262,2          | 257,77         | CS 05085 | 20 | CD 05085 | 20 | CT 05085 | 25 |
| 37 | 116,4          | 112,32         | CS 05037 | 12 | CD 05037 | 14 | CT 05037 | 16 | 90  | 277,4          | 272,93         | CS 05090 | 20 | CD 05090 | 20 | CT 05090 | 25 |
| 38 | 119,5          | 115,34         | CS 05038 | 12 | CD 05038 | 14 | CT 05038 | 16 | 95  | 292,5          | 288,08         | CS 05095 | 20 | CD 05095 | 20 | CT 05095 | 25 |
| 39 | 122,5          | 118,37         | CS 05039 | 12 | CD 05039 | 14 | CT 05039 | 16 | 100 | 307,7          | 303,25         | CS 05100 | 20 | CD 05100 | 20 | CT 05100 | 25 |
| 40 | 125,5          | 121,40         | CS 05040 | 12 | CD 05040 | 14 | CT 05040 | 16 | 110 | 338,0          | 333,55         | CS 05110 | 20 | CD 05110 | 20 | CT 05110 | 25 |
| 41 | 128,5          | 124,43         | CS 05041 | 16 | CD 05041 | 16 | CT 05041 | 16 | 114 | 349,5          | 345,68         | CS 05114 | 20 | CD 05114 | 20 | CT 05114 | 25 |
| 42 | 131,6          | 127,46         | CS 05042 | 16 | CD 05042 | 16 | CT 05042 | 16 | 120 | 368,3          | 363,86         | CS 05120 | 20 | CD 05120 | 20 | CT 05120 | 25 |
| 43 | 134,6          | 130,49         | CS 05043 | 16 | CD 05043 | 16 | CT 05043 | 16 | 125 | 383,5          | 379,02         | CS 05125 | 20 | CD 05125 | 20 | CT 05125 | 25 |

# Corone / Plate wheels Kettenradscheiben / Disques / Discos

Corone per catene semplici, a rulli secondo:  
DIN 8187 - ISO/R 606  
Corone tornite sui lati, dentate con creatore.

Plate wheels for simplex chain to:  
DIN 8187 - ISO/R 606  
Plate Wheels turned on both sides and toothed by milling cutter.

Kettenradscheiben für Simplex-Rollenkette nach:  
DIN 8187 - ISO/R 606  
Seitlich plan gedrehte, wälzgefräste Zahnkränze.

Disques pour chaînes simples à rouleaux suivant les normes:  
DIN 8187 - ISO/R 606  
Disques tournés sur les flancs, dentés à la fraise.

Discos para cadena simple de rodillos según:  
DIN 8187 - ISO/R 606  
Discos torneadas en los lados, dientes obtenidos con fresa madre.



1/2" x 1/8"

081- 1 12,7 x 3,33 mm

| CATENA:           | CHAIN:         | KETTE:        | CHAÎNE:            | CADENA:       | ISO mm |
|-------------------|----------------|---------------|--------------------|---------------|--------|
| Passo             | Pitch          | Teilung       | Pas                | Paso          | 12,70  |
| Larghezza interna | Internal width | Innere Breite | Largeur interieure | Ancho interno | 3,30   |
| Rullo ø           | Roller ø       | Rollen ø      | ø du rouleau       | Rodillo ø     | 7,75   |

| CORONE                      | PLATE WHEELS               | KETTENRADSCHIEBEN         | DISQUES                         | DISCOS                      | ISO mm             |
|-----------------------------|----------------------------|---------------------------|---------------------------------|-----------------------------|--------------------|
| Raggio dente r              | Tooth radius r             | Radius r                  | Rayon de denture r              | Radio diente r              | r 13,0             |
| Larghezza raggio C          | Radius width C             | Breite C                  | Largeur de rayon C              | Ancho radio C               | C 1,3              |
| Largh. dente h <sub>1</sub> | Tooth width h <sub>1</sub> | Zahnbreite h <sub>1</sub> | Larg. de denture h <sub>1</sub> | Ancho diente h <sub>1</sub> | h <sub>1</sub> 3,0 |
| Largh. dente L              | Tooth width L              | Zahnbreite L              | Larg. de denture L              | Ancho diente L              | L -                |
| Largh. dente h <sub>2</sub> | Tooth width h <sub>2</sub> | Zahnbreite h <sub>2</sub> | Larg. de denture h <sub>2</sub> | Ancho diente h <sub>2</sub> | h <sub>2</sub> -   |
| Largh. dente h <sub>3</sub> | Tooth width h <sub>3</sub> | Zahnbreite h <sub>3</sub> | Larg. de denture h <sub>3</sub> | Ancho diente h <sub>3</sub> | h <sub>3</sub> -   |
| Altezza totale H            | Full height H              | Gesamt Höhe H             | Hauteur totale H                | Altura total H              | H -                |

A partire da Z = 31 il disco ruota viene maggiorato, H = 4 mm

From Z = 31 the width of the plate is increased, H = 4 mm

Ab Zähnezahl Z = 31 beträgt die Scheibendicke H = 4 mm

A partir de Z = 31 l'épaisseur du disque est augmenté H = 4 mm

A partir de Z = 31 el disco rueda para cadena queda aumentado, H = 4 mm

A partire da Z = 90 il disco ruota viene maggiorato, H = 6 mm

From Z = 90 the width of the plate is increased, H = 6 mm

Ab Zähnezahl Z = 90 beträgt die Scheibendicke H = 6 mm

A partir de Z = 90 l'épaisseur du disque est augmenté H = 6 mm

A partir de Z = 90 el disco rueda para cadena queda aumentado, H = 6 mm

| Z  | D <sub>e</sub> | D <sub>p</sub> | Simplex  |    | Z  | D <sub>e</sub> | D <sub>p</sub> | Simplex  |    | Z   | D <sub>e</sub> | D <sub>p</sub> | Simplex  |    |
|----|----------------|----------------|----------|----|----|----------------|----------------|----------|----|-----|----------------|----------------|----------|----|
|    |                |                | cod.     | D  |    |                |                | cod.     | D  |     |                |                | cod.     | D  |
| 8  | 37,2           | 33,18          | CS 06008 | 8  | 32 | 135,5          | 129,56         | CS 06032 | 12 | 56  | 232,1          | 226,50         | CS 06056 | 20 |
| 9  | 41,5           | 37,13          | CS 06009 | 8  | 33 | 139,6          | 133,60         | CS 06033 | 12 | 57  | 236,1          | 230,54         | CS 06057 | 20 |
| 10 | 46,2           | 41,10          | CS 06010 | 8  | 34 | 143,6          | 137,64         | CS 06034 | 12 | 58  | 240,2          | 234,58         | CS 06058 | 20 |
| 11 | 49,6           | 45,07          | CS 06011 | 8  | 35 | 147,6          | 141,68         | CS 06035 | 12 | 59  | 244,2          | 238,62         | CS 06059 | 20 |
| 12 | 53,9           | 49,07          | CS 06012 | 8  | 36 | 151,7          | 145,72         | CS 06036 | 16 | 60  | 248,2          | 242,66         | CS 06060 | 20 |
| 13 | 58,4           | 53,06          | CS 06013 | 8  | 37 | 155,7          | 149,76         | CS 06037 | 16 | 62  | 256,7          | 250,75         | CS 06062 | 20 |
| 14 | 62,8           | 57,07          | CS 06014 | 8  | 38 | 159,8          | 153,80         | CS 06038 | 16 | 64  | 264,8          | 258,82         | CS 06064 | 20 |
| 15 | 66,8           | 61,09          | CS 06015 | 8  | 39 | 163,8          | 157,83         | CS 06039 | 16 | 65  | 268,8          | 262,86         | CS 06065 | 20 |
| 16 | 70,9           | 65,10          | CS 06016 | 10 | 40 | 167,8          | 161,87         | CS 06040 | 16 | 66  | 272,9          | 266,90         | CS 06066 | 25 |
| 17 | 74,9           | 69,11          | CS 06017 | 10 | 41 | 171,4          | 165,91         | CS 06041 | 16 | 68  | 280,9          | 274,99         | CS 06068 | 25 |
| 18 | 78,9           | 73,14          | CS 06018 | 10 | 42 | 175,4          | 169,95         | CS 06042 | 16 | 70  | 289,0          | 283,07         | CS 06070 | 25 |
| 19 | 82,9           | 77,16          | CS 06019 | 10 | 43 | 179,5          | 173,99         | CS 06043 | 16 | 72  | 297,1          | 291,16         | CS 06072 | 25 |
| 20 | 86,9           | 81,19          | CS 06020 | 10 | 44 | 183,5          | 178,03         | CS 06044 | 16 | 76  | 313,3          | 307,33         | CS 06076 | 25 |
| 21 | 91,0           | 85,22          | CS 06021 | 10 | 45 | 187,5          | 182,07         | CS 06045 | 16 | 78  | 321,4          | 315,40         | CS 06078 | 25 |
| 22 | 95,0           | 89,24          | CS 06022 | 10 | 46 | 191,6          | 186,10         | CS 06046 | 20 | 80  | 329,4          | 323,48         | CS 06080 | 25 |
| 23 | 99,0           | 93,27          | CS 06023 | 10 | 47 | 195,6          | 190,14         | CS 06047 | 20 | 85  | 349,7          | 343,70         | CS 06085 | 25 |
| 24 | 103,0          | 97,29          | CS 06024 | 10 | 48 | 199,7          | 194,18         | CS 06048 | 20 | 90  | 369,9          | 363,90         | CS 06090 | 25 |
| 25 | 107,1          | 101,33         | CS 06025 | 10 | 49 | 203,7          | 198,22         | CS 06049 | 20 | 100 | 410,3          | 404,31         | CS 06100 | 25 |
| 26 | 111,2          | 105,36         | CS 06026 | 12 | 50 | 207,8          | 202,26         | CS 06050 | 20 | 110 | 450,7          | 444,74         | CS 06110 | 25 |
| 27 | 115,4          | 109,40         | CS 06027 | 12 | 51 | 211,8          | 206,30         | CS 06051 | 20 | 114 | 466,9          | 460,90         | CS 06114 | 25 |
| 28 | 119,4          | 113,42         | CS 06028 | 12 | 52 | 215,9          | 210,34         | CS 06052 | 20 | 120 | 491,2          | 485,16         | CS 06120 | 25 |
| 29 | 123,4          | 117,46         | CS 06029 | 12 | 53 | 219,9          | 214,37         | CS 06053 | 20 | 125 | 511,4          | 505,37         | CS 06125 | 25 |
| 30 | 127,5          | 121,50         | CS 06030 | 12 | 54 | 224,0          | 218,43         | CS 06054 | 20 |     |                |                |          |    |
| 31 | 131,5          | 125,54         | CS 06031 | 12 | 55 | 228,0          | 222,46         | CS 06055 | 20 |     |                |                |          |    |



# Corone / Plate wheels Kettenradscheiben / Disques / Discos

Corone per catene semplici, a rulli secondo:  
DIN 8187 - ISO/R 606  
Corone tornite sui lati, dentate con creatore.

Plate wheels for simplex chain to:  
DIN 8187 - ISO/R 606  
Plate Wheels turned on both sides and toothed by milling cutter.

Kettenradscheiben für Simplex-Rollenkette nach:  
DIN 8187 - ISO/R 606  
Seitlich plan gedrehte, wälzgefräste Zahnkränze.

Disques pour chaînes simples à rouleaux suivant les normes:  
DIN 8187 - ISO/R 606  
Disques tournés sur les flancs, dentés à la fraise.

Discos para cadena simple de rodillos según:  
DIN 8187 - ISO/R 606  
Discos torneadas en los lados, dientes obtenidos con fresa madre.



**1/2" x 3/16"**

**083 - 1/084 - 1 12,7 x 4,88 mm**

| CATENA:           | CHAIN:         | KETTE:        | CHAÎNE:            | CADENA:       | ISO mm |
|-------------------|----------------|---------------|--------------------|---------------|--------|
| Passo             | Pitch          | Teilung       | Pas                | Paso          | 12,70  |
| Larghezza interna | Internal width | Innere Breite | Largeur interieure | Ancho interno | 4,88   |
| Rullo ø           | Roller ø       | Rollen ø      | ø du rouleau       | Rodillo ø     | 7,75   |

| CORONE                      | PLATE WHEELS               | KETTENRADSCHIEBEN         | DISQUES                         | DISCOS                      | ISO mm             |
|-----------------------------|----------------------------|---------------------------|---------------------------------|-----------------------------|--------------------|
| Raggio dente r              | Tooth radius r             | Radius r                  | Rayon de denture r              | Radio diente r              | r 13,0             |
| Larghezza raggio C          | Radius width C             | Breite C                  | Largeur de rayon C              | Ancho radio C               | C 1,3              |
| Largh. dente h <sub>1</sub> | Tooth width h <sub>1</sub> | Zahnbreite h <sub>1</sub> | Larg. de denture h <sub>1</sub> | Ancho diente h <sub>1</sub> | h <sub>1</sub> 4,5 |
| Largh. dente L              | Tooth width L              | Zahnbreite L              | Larg. de denture L              | Ancho diente L              | L -                |
| Largh. dente h <sub>2</sub> | Tooth width h <sub>2</sub> | Zahnbreite h <sub>2</sub> | Larg. de denture h <sub>2</sub> | Ancho diente h <sub>2</sub> | h <sub>2</sub> -   |
| Largh. dente h <sub>3</sub> | Tooth width h <sub>3</sub> | Zahnbreite h <sub>3</sub> | Larg. de denture h <sub>3</sub> | Ancho diente h <sub>3</sub> | h <sub>3</sub> -   |
| Altezza totale H            | Full height H              | Gesamt Höhe H             | Hauteur totale H                | Altura total H              | H -                |

A partire da Z = 90 il disco ruota viene maggiorato, H = 6 mm

From Z = 90 the width of the plate is increased, H = 6 mm

Ab Zähnezahl Z = 90 beträgt die Scheibendicke H = 6 mm

A partir de Z = 90 l'épaisseur du disque est augmenté H = 6 mm

A partir de Z = 90 el disco rueda para cadena queda aumentado, H = 6 mm

| Z  | D <sub>e</sub> | D <sub>p</sub> | Simplex  |    | Z  | D <sub>e</sub> | D <sub>p</sub> | Simplex  |    | Z   | D <sub>e</sub> | D <sub>p</sub> | Simplex  |    |
|----|----------------|----------------|----------|----|----|----------------|----------------|----------|----|-----|----------------|----------------|----------|----|
|    |                |                | cod.     | D  |    |                |                | cod.     | D  |     |                |                | cod.     | D  |
| 8  | 37,2           | 33,18          | CS 07008 | 8  | 32 | 135,5          | 129,56         | CS 07032 | 12 | 56  | 232,1          | 226,50         | CS 07056 | 20 |
| 9  | 41,5           | 37,13          | CS 07009 | 8  | 33 | 139,6          | 133,60         | CS 07033 | 12 | 57  | 236,1          | 230,54         | CS 07057 | 20 |
| 10 | 46,2           | 41,10          | CS 07010 | 8  | 34 | 143,6          | 137,64         | CS 07034 | 12 | 58  | 240,2          | 234,58         | CS 07058 | 20 |
| 11 | 49,6           | 45,07          | CS 07011 | 8  | 35 | 147,6          | 141,68         | CS 07035 | 12 | 59  | 244,2          | 238,62         | CS 07059 | 20 |
| 12 | 53,9           | 49,07          | CS 07012 | 8  | 36 | 151,7          | 145,72         | CS 07036 | 16 | 60  | 248,2          | 242,66         | CS 07060 | 20 |
| 13 | 58,4           | 53,06          | CS 07013 | 8  | 37 | 155,7          | 149,76         | CS 07037 | 16 | 62  | 256,7          | 250,75         | CS 07062 | 20 |
| 14 | 62,8           | 57,07          | CS 07014 | 8  | 38 | 159,8          | 153,80         | CS 07038 | 16 | 64  | 264,8          | 258,82         | CS 07064 | 20 |
| 15 | 66,8           | 61,09          | CS 07015 | 8  | 39 | 163,8          | 157,83         | CS 07039 | 16 | 65  | 268,8          | 262,86         | CS 07065 | 20 |
| 16 | 70,9           | 65,10          | CS 07016 | 10 | 40 | 167,8          | 161,87         | CS 07040 | 16 | 66  | 272,9          | 266,90         | CS 07066 | 25 |
| 17 | 74,9           | 69,11          | CS 07017 | 10 | 41 | 171,4          | 165,91         | CS 07041 | 16 | 68  | 280,9          | 274,99         | CS 07068 | 25 |
| 18 | 78,9           | 73,14          | CS 07018 | 10 | 42 | 175,4          | 169,95         | CS 07042 | 16 | 70  | 289,0          | 283,07         | CS 07070 | 25 |
| 19 | 82,9           | 77,16          | CS 07019 | 10 | 43 | 179,5          | 173,99         | CS 07043 | 16 | 72  | 297,1          | 291,16         | CS 07072 | 25 |
| 20 | 86,9           | 81,19          | CS 07020 | 10 | 44 | 183,5          | 178,03         | CS 07044 | 16 | 76  | 313,3          | 307,33         | CS 07076 | 25 |
| 21 | 91,0           | 85,22          | CS 07021 | 10 | 45 | 187,5          | 182,07         | CS 07045 | 16 | 78  | 321,4          | 315,40         | CS 07078 | 25 |
| 22 | 95,0           | 89,24          | CS 07022 | 10 | 46 | 191,6          | 186,10         | CS 07046 | 20 | 80  | 329,4          | 323,48         | CS 07080 | 25 |
| 23 | 99,0           | 93,27          | CS 07023 | 10 | 47 | 195,6          | 190,14         | CS 07047 | 20 | 85  | 349,7          | 343,70         | CS 07085 | 25 |
| 24 | 103,0          | 97,29          | CS 07024 | 10 | 48 | 199,7          | 194,18         | CS 07048 | 20 | 90  | 369,9          | 363,90         | CS 07090 | 25 |
| 25 | 107,1          | 101,33         | CS 07025 | 10 | 49 | 203,7          | 198,22         | CS 07049 | 20 | 100 | 410,3          | 404,31         | CS 07100 | 25 |
| 26 | 111,2          | 105,36         | CS 07026 | 12 | 50 | 207,8          | 202,26         | CS 07050 | 20 | 110 | 450,7          | 444,74         | CS 07110 | 25 |
| 27 | 115,4          | 109,40         | CS 07027 | 12 | 51 | 211,8          | 206,30         | CS 07051 | 20 | 114 | 466,9          | 460,90         | CS 07114 | 25 |
| 28 | 119,4          | 113,42         | CS 07028 | 12 | 52 | 215,9          | 210,34         | CS 07052 | 20 | 120 | 491,2          | 485,16         | CS 07120 | 25 |
| 29 | 123,4          | 117,46         | CS 07029 | 12 | 53 | 219,9          | 214,37         | CS 07053 | 20 | 125 | 511,4          | 505,37         | CS 07125 | 25 |
| 30 | 127,5          | 121,50         | CS 07030 | 12 | 54 | 224,0          | 218,43         | CS 07054 | 20 |     |                |                |          |    |
| 31 | 131,5          | 125,54         | CS 07031 | 12 | 55 | 228,0          | 222,46         | CS 07055 | 20 |     |                |                |          |    |

# Corone / Plate wheels

## Kettenradscheiben / Disques / Discos

Corone per catene semplici, a rulli secondo:  
DIN 8187 - ISO/R 606  
Corone tornite sui lati, dentate con creatore.

Plate wheels for simplex chain to:  
DIN 8187 - ISO/R 606  
Plate Wheels turned on both sides and toothed by milling cutter.

Kettenradscheiben für Simplex-Rollenkette nach:  
DIN 8187 - ISO/R 606  
Seitlich plan gedrehte, wälzgefräste Zahnkränze.

Disques pour chaînes simples à rouleaux suivant les normes:  
DIN 8187 - ISO/R 606  
Disques tournés sur les flancs, dentés à la fraise.

Discos para cadena simple de rodillos según:  
DIN 8187 - ISO/R 606  
Discos torneadas en los lados, dientes obtenidos con fresa madre.



1/2" x 1/4"

085-1 12,7 x 6,4 x 7,75 mm

| CATENA:           | CHAIN:         | KETTE:        | CHAÎNE:            | CADENA:       | ISO mm |
|-------------------|----------------|---------------|--------------------|---------------|--------|
| Passo             | Pitch          | Teilung       | Pas                | Paso          | 12,70  |
| Larghezza interna | Internal width | Innere Breite | Largeur interieure | Ancho interno | 6,40   |
| Rullo ø           | Roller ø       | Rollen ø      | ø du rouleau       | Rodillo ø     | 7,75   |

| CORONE                      | PLATE WHEELS               | KETTENRADSCHIEBEN         | DISQUES                         | DISCOS                      | ISO mm             |
|-----------------------------|----------------------------|---------------------------|---------------------------------|-----------------------------|--------------------|
| Raggio dente r              | Tooth radius r             | Radius r                  | Rayon de denture r              | Radio diente r              | r 13,0             |
| Larghezza raggio C          | Radius width C             | Breite C                  | Largeur de rayon C              | Ancho radio C               | C 1,3              |
| Largh. dente h <sub>1</sub> | Tooth width h <sub>1</sub> | Zahnbreite h <sub>1</sub> | Larg. de denture h <sub>1</sub> | Ancho diente h <sub>1</sub> | h <sub>1</sub> 5,9 |
| Largh. dente L              | Tooth width L              | Zahnbreite L              | Larg. de denture L              | Ancho diente L              | L -                |
| Largh. dente h <sub>2</sub> | Tooth width h <sub>2</sub> | Zahnbreite h <sub>2</sub> | Larg. de denture h <sub>2</sub> | Ancho diente h <sub>2</sub> | h <sub>2</sub> -   |
| Largh. dente h <sub>3</sub> | Tooth width h <sub>3</sub> | Zahnbreite h <sub>3</sub> | Larg. de denture h <sub>3</sub> | Ancho diente h <sub>3</sub> | h <sub>3</sub> -   |
| Altezza totale H            | Full height H              | Gesamt Höhe H             | Hauteur totale H                | Altura total H              | H -                |

A partire da Z = 90 il disco ruota viene maggiorato, H = 6 mm

From Z = 90 the width of the plate is increased, H = 6 mm

Ab Zähnezahl Z = 90 beträgt die Scheibendicke H = 6 mm

A partir de Z = 90 l'épaisseur du disque est augmenté H = 6 mm

A partir de Z = 90 el disco rueda para cadena queda aumentado, H = 6 mm

| Z  | D <sub>s</sub> | D <sub>p</sub> | Simplex  |    | Z  | D <sub>s</sub> | D <sub>p</sub> | Simplex  |    | Z   | D <sub>s</sub> | D <sub>p</sub> | Simplex  |    |
|----|----------------|----------------|----------|----|----|----------------|----------------|----------|----|-----|----------------|----------------|----------|----|
|    |                |                | cod.     | D  |    |                |                | cod.     | D  |     |                |                | cod.     | D  |
| 8  | 38,5           | 33,18          | CS 08008 | 8  | 32 | 135,5          | 129,56         | CS 08032 | 12 | 56  | 232,1          | 226,50         | CS 08056 | 20 |
| 9  | 41,5           | 37,13          | CS 08009 | 8  | 33 | 139,6          | 133,60         | CS 08033 | 12 | 57  | 236,1          | 230,54         | CS 08057 | 20 |
| 10 | 46,2           | 41,10          | CS 08010 | 8  | 34 | 143,6          | 137,64         | CS 08034 | 12 | 58  | 240,2          | 234,58         | CS 08058 | 20 |
| 11 | 49,6           | 45,07          | CS 08011 | 8  | 35 | 147,6          | 141,68         | CS 08035 | 12 | 59  | 244,2          | 238,62         | CS 08059 | 20 |
| 12 | 53,9           | 49,07          | CS 08012 | 8  | 36 | 151,7          | 145,72         | CS 08036 | 16 | 60  | 248,2          | 242,66         | CS 08060 | 20 |
| 13 | 58,4           | 53,06          | CS 08013 | 8  | 37 | 155,7          | 149,76         | CS 08037 | 16 | 62  | 256,7          | 250,75         | CS 08062 | 20 |
| 14 | 62,8           | 57,07          | CS 08014 | 8  | 38 | 159,8          | 153,80         | CS 08038 | 16 | 64  | 264,8          | 258,82         | CS 08064 | 20 |
| 15 | 66,8           | 61,09          | CS 08015 | 8  | 39 | 163,8          | 157,83         | CS 08039 | 16 | 65  | 268,8          | 262,86         | CS 08065 | 20 |
| 16 | 70,9           | 65,10          | CS 08016 | 10 | 40 | 167,8          | 161,87         | CS 08040 | 16 | 66  | 272,9          | 266,90         | CS 08066 | 25 |
| 17 | 74,9           | 69,11          | CS 08017 | 10 | 41 | 171,4          | 165,91         | CS 08041 | 16 | 68  | 280,9          | 274,99         | CS 08068 | 25 |
| 18 | 78,9           | 73,14          | CS 08018 | 10 | 42 | 175,4          | 169,95         | CS 08042 | 16 | 70  | 289,0          | 283,07         | CS 08070 | 25 |
| 19 | 82,9           | 77,16          | CS 08019 | 10 | 43 | 179,5          | 173,99         | CS 08043 | 16 | 72  | 297,1          | 291,16         | CS 08072 | 25 |
| 20 | 86,9           | 81,19          | CS 08020 | 10 | 44 | 183,5          | 178,03         | CS 08044 | 16 | 76  | 313,3          | 307,33         | CS 08076 | 25 |
| 21 | 91,0           | 85,22          | CS 08021 | 10 | 45 | 187,5          | 182,07         | CS 08045 | 16 | 78  | 321,4          | 315,40         | CS 08078 | 25 |
| 22 | 95,0           | 89,24          | CS 08022 | 10 | 46 | 191,6          | 186,10         | CS 08046 | 20 | 80  | 329,4          | 323,48         | CS 08080 | 25 |
| 23 | 99,0           | 93,27          | CS 08023 | 10 | 47 | 195,6          | 190,14         | CS 08047 | 20 | 85  | 349,7          | 343,70         | CS 08085 | 25 |
| 24 | 103,0          | 97,29          | CS 08024 | 10 | 48 | 199,7          | 194,18         | CS 08048 | 20 | 90  | 369,9          | 363,90         | CS 08090 | 25 |
| 25 | 107,1          | 101,33         | CS 08025 | 10 | 49 | 203,7          | 198,22         | CS 08049 | 20 | 100 | 410,3          | 404,31         | CS 08100 | 25 |
| 26 | 111,2          | 105,36         | CS 08026 | 12 | 50 | 207,8          | 202,26         | CS 08050 | 20 | 110 | 450,7          | 444,74         | CS 08110 | 25 |
| 27 | 115,4          | 109,40         | CS 08027 | 12 | 51 | 211,8          | 206,30         | CS 08051 | 20 | 114 | 466,9          | 460,90         | CS 08114 | 25 |
| 28 | 119,4          | 113,42         | CS 08028 | 12 | 52 | 215,9          | 210,34         | CS 08052 | 20 | 120 | 491,2          | 485,16         | CS 08120 | 25 |
| 29 | 123,4          | 117,46         | CS 08029 | 12 | 53 | 219,9          | 214,37         | CS 08053 | 20 | 125 | 511,4          | 505,37         | CS 08125 | 25 |
| 30 | 127,5          | 121,50         | CS 08030 | 12 | 54 | 224,0          | 218,43         | CS 08054 | 20 |     |                |                |          |    |
| 31 | 131,5          | 125,54         | CS 08031 | 12 | 55 | 228,0          | 222,46         | CS 08055 | 20 |     |                |                |          |    |



## Corone / Plate wheels Kettenradscheiben / Disques / Discos

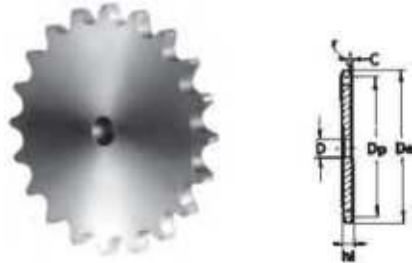
Corone per catene semplici, a rulli secondo:  
DIN 8187 - ISO/R 606  
Corone tornite sui lati,  
dentate con creatore.

Plate wheels for simplex chain to:  
DIN 8187 - ISO/R 606  
Plate Wheels turned on both sides and toothed by milling cutter.

Kettenradscheiben für Simplex-Rollenkette nach:  
DIN 8187 - ISO/R 606  
Seitlich plan gedrehte, wälzgefräste Zahnkränze.

Disques pour chaînes simples à rouleaux suivant les normes:  
DIN 8187 - ISO/R 606  
Disques tournés sur les flancs, dentés à la fraise.

Discos para cadena simple de rodillos según:  
DIN 8187 - ISO/R 606  
Discos torneadas en los lados, dientes obtenidos con fresa madre.



1/2" x 1/4"

085-1 12,7 x 6,4 x 8,51 mm

| CATENA:           | CHAIN:         | KETTE:        | CHAÎNE:            | CADENA:       | ISO mm |
|-------------------|----------------|---------------|--------------------|---------------|--------|
| Passo             | Pitch          | Teilung       | Pas                | Paso          | 12,70  |
| Larghezza interna | Internal width | Innere Breite | Largeur interieure | Ancho interno | 6,40   |
| Rullo ø           | Roller ø       | Rollen ø      | ø du rouleau       | Rodillo ø     | 8,51   |

| CORONE                      | PLATE WHEELS               | KETTENRADSCHLEIBEN        | DISQUES                         | DISCOS                      | ISO mm             |
|-----------------------------|----------------------------|---------------------------|---------------------------------|-----------------------------|--------------------|
| Raggio dente r              | Tooth radius r             | Radius r                  | Rayon de denture r              | Radio diente r              | r 13,0             |
| Larghezza raggio C          | Radius width C             | Breite C                  | Largeur de rayon C              | Ancho radio C               | C 1,3              |
| Largh. dente h <sub>1</sub> | Tooth width h <sub>1</sub> | Zahnbreite h <sub>1</sub> | Larg. de denture h <sub>1</sub> | Ancho diente h <sub>1</sub> | h <sub>1</sub> 5,9 |
| Largh. dente L              | Tooth width L              | Zahnbreite L              | Larg. de denture L              | Ancho diente L              | L -                |
| Largh. dente h <sub>2</sub> | Tooth width h <sub>2</sub> | Zahnbreite h <sub>2</sub> | Larg. de denture h <sub>2</sub> | Ancho diente h <sub>2</sub> | h <sub>2</sub> -   |
| Largh. dente h <sub>3</sub> | Tooth width h <sub>3</sub> | Zahnbreite h <sub>3</sub> | Larg. de denture h <sub>3</sub> | Ancho diente h <sub>3</sub> | h <sub>3</sub> -   |
| Altezza totale H            | Full height H              | Gesamt Höhe H             | Hauteur totale H                | Altura total H              | H -                |

A partire da Z = 90 il disco ruota viene maggiorato, H = 6 mm

From Z = 90 the width of the plate is increased, H = 6 mm

Ab Zähnezahl Z = 90 beträgt die Scheibendicke H = 6 mm

A partir de Z = 90 l'épaisseur du disque est augmenté H = 6 mm

A partir de Z = 90 el disco rueda para cadena queda aumentado, H = 6 mm

| Z  | D <sub>c</sub> | D <sub>p</sub> | Simplex  |    | Z  | D <sub>c</sub> | D <sub>p</sub> | Simplex  |    | Z   | D <sub>c</sub> | D <sub>p</sub> | Simplex  |    |
|----|----------------|----------------|----------|----|----|----------------|----------------|----------|----|-----|----------------|----------------|----------|----|
|    |                |                | cod.     | D  |    |                |                | cod.     | D  |     |                |                | cod.     | D  |
| 8  | 37,2           | 33,18          | CS 17008 | 8  | 32 | 134,2          | 129,56         | CS 17032 | 12 | 56  | 232,2          | 226,50         | CS 17056 | 20 |
| 9  | 41,0           | 37,13          | CS 17009 | 8  | 33 | 138,4          | 133,60         | CS 17033 | 12 | 57  | 236,4          | 230,54         | CS 17057 | 20 |
| 10 | 45,2           | 41,10          | CS 17010 | 8  | 34 | 142,6          | 137,64         | CS 17034 | 12 | 58  | 240,5          | 234,58         | CS 17058 | 20 |
| 11 | 48,7           | 45,07          | CS 17011 | 8  | 35 | 146,7          | 141,68         | CS 17035 | 12 | 59  | 244,5          | 238,62         | CS 17059 | 20 |
| 12 | 53,0           | 49,07          | CS 17012 | 8  | 36 | 151,0          | 145,72         | CS 17036 | 16 | 60  | 248,6          | 242,66         | CS 17060 | 20 |
| 13 | 57,4           | 53,06          | CS 17013 | 8  | 37 | 154,6          | 149,76         | CS 17037 | 16 | 62  | 256,9          | 250,75         | CS 17062 | 20 |
| 14 | 61,8           | 57,07          | CS 17014 | 8  | 38 | 158,6          | 153,80         | CS 17038 | 16 | 64  | 265,1          | 258,82         | CS 17064 | 20 |
| 15 | 65,5           | 61,09          | CS 17015 | 8  | 39 | 162,7          | 157,83         | CS 17039 | 16 | 65  | 269,0          | 262,86         | CS 17065 | 20 |
| 16 | 69,5           | 65,10          | CS 17016 | 10 | 40 | 166,8          | 161,87         | CS 17040 | 16 | 66  | 273,0          | 266,90         | CS 17066 | 25 |
| 17 | 73,6           | 69,11          | CS 17017 | 10 | 41 | 171,4          | 165,91         | CS 17041 | 16 | 68  | 281,0          | 274,99         | CS 17068 | 25 |
| 18 | 77,8           | 73,14          | CS 17018 | 10 | 42 | 175,4          | 169,95         | CS 17042 | 16 | 70  | 289,0          | 283,07         | CS 17070 | 25 |
| 19 | 81,7           | 77,16          | CS 17019 | 10 | 43 | 179,7          | 173,99         | CS 17043 | 16 | 72  | 297,2          | 291,16         | CS 17072 | 25 |
| 20 | 85,8           | 81,19          | CS 17020 | 10 | 44 | 183,8          | 178,03         | CS 17044 | 16 | 76  | 313,3          | 307,33         | CS 17076 | 25 |
| 21 | 89,7           | 85,22          | CS 17021 | 10 | 45 | 188,0          | 182,07         | CS 17045 | 16 | 78  | 321,4          | 315,40         | CS 17078 | 25 |
| 22 | 93,8           | 89,24          | CS 17022 | 10 | 46 | 192,1          | 186,10         | CS 17046 | 20 | 80  | 329,4          | 323,48         | CS 17080 | 25 |
| 23 | 98,2           | 93,27          | CS 17023 | 10 | 47 | 196,2          | 190,14         | CS 17047 | 20 | 85  | 349,0          | 343,70         | CS 17085 | 25 |
| 24 | 101,8          | 97,29          | CS 17024 | 10 | 48 | 200,3          | 194,18         | CS 17048 | 20 | 90  | 369,9          | 363,90         | CS 17090 | 25 |
| 25 | 105,8          | 101,33         | CS 17025 | 10 | 49 | 204,3          | 198,22         | CS 17049 | 20 | 100 | 410,3          | 404,31         | CS 17100 | 25 |
| 26 | 110,0          | 105,36         | CS 17026 | 12 | 50 | 208,3          | 202,26         | CS 17050 | 20 | 110 | 450,7          | 444,74         | CS 17110 | 25 |
| 27 | 114,0          | 109,40         | CS 17027 | 12 | 51 | 212,1          | 206,30         | CS 17051 | 20 | 114 | 466,9          | 460,90         | CS 17114 | 25 |
| 28 | 118,0          | 113,42         | CS 17028 | 12 | 52 | 216,1          | 210,34         | CS 17052 | 20 | 120 | 491,2          | 485,16         | CS 17120 | 25 |
| 29 | 122,0          | 117,46         | CS 17029 | 12 | 53 | 220,2          | 214,37         | CS 17053 | 20 | 125 | 511,3          | 505,37         | CS 17125 | 25 |
| 30 | 126,1          | 121,50         | CS 17030 | 12 | 54 | 224,1          | 218,43         | CS 17054 | 20 |     |                |                |          |    |
| 31 | 130,2          | 125,54         | CS 17031 | 12 | 55 | 228,1          | 222,46         | CS 17055 | 20 |     |                |                |          |    |

# Corone / Plate wheels Kettenradscheiben / Disques / Discos

Corone per catene semplici, doppie e triple a rulli secondo: DIN 8187 - ISO/R 606

Corone tornite sui lati, dentate con creatore.

Plate wheels for simplex duplex and triplex chain to: DIN 8187 - ISO/R 606

Plate Wheels turned on both sides and toothed by milling cutter.

Kettenradscheiben für Simplex-Duplex-Triplex-Rollenkette nach: DIN 8187 - ISO/R 606

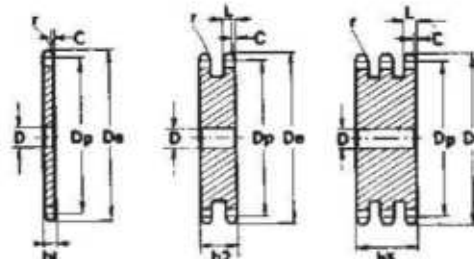
Seitlich plan gedrehte, wälzgefräste Zahnkränze.

Disques pour chaînes simples, doubles et triples à rouleaux suivant les normes: DIN 8187 - ISO/R 606

Disques tournés sur les flancs, dentés à la fraise.

Discos para cadena simple, doble y triple de rodillos según: DIN 8187 - ISO/R 606

Discos torneadas en los lados, dientes obtenidos con fresa madre.



1/2" x 5/16"

08B - 1-2-3 12,7 x 7,75 mm

| CATENA:           | CHAIN:         | KETTE:        | CHAÎNE:            | CADENA:       | ISO mm |
|-------------------|----------------|---------------|--------------------|---------------|--------|
| Passo             | Pitch          | Teilung       | Pas                | Paso          | 12,70  |
| Larghezza interna | Internal width | Innere Breite | Largeur interieure | Ancho interno | 7,75   |
| Rullo ø           | Roller ø       | Rollen ø      | ø du rouleau       | Rodillo ø     | 8,51   |

| CORONE                      | PLATE WHEELS               | KETTENRADSCHIEBEN         | DISQUES                         | DISCOS                      | ISO mm              |
|-----------------------------|----------------------------|---------------------------|---------------------------------|-----------------------------|---------------------|
| Raggio dente r              | Tooth radius r             | Radius r                  | Rayon de denture r              | Radio diente r              | r 13,0              |
| Larghezza raggio C          | Radius width C             | Breite C                  | Largeur de rayon C              | Ancho radio C               | C 1,3               |
| Largh. dente h <sub>1</sub> | Tooth width h <sub>1</sub> | Zahnbreite h <sub>1</sub> | Larg. de denture h <sub>1</sub> | Ancho diente h <sub>1</sub> | h <sub>1</sub> 7,2  |
| Largh. dente L              | Tooth width L              | Zahnbreite L              | Larg. de denture L              | Ancho diente L              | L 7,0               |
| Largh. dente h <sub>2</sub> | Tooth width h <sub>2</sub> | Zahnbreite h <sub>2</sub> | Larg. de denture h <sub>2</sub> | Ancho diente h <sub>2</sub> | h <sub>2</sub> 21,0 |
| Largh. dente h <sub>3</sub> | Tooth width h <sub>3</sub> | Zahnbreite h <sub>3</sub> | Larg. de denture h <sub>3</sub> | Ancho diente h <sub>3</sub> | h <sub>3</sub> 34,9 |
| Altezza totale H            | Full height H              | Gesamt Höhe H             | Hauteur totale H                | Altura total H              | H -                 |

| Z  | D <sub>e</sub> | D <sub>p</sub> | Simplex  |    | Duplex   |    | Triplex  |    |
|----|----------------|----------------|----------|----|----------|----|----------|----|
|    |                |                | cod.     | D  | cod.     | D  | cod.     | D  |
| 8  | 37,2           | 33,18          | CS 09008 | 8  | CD 09008 | 10 | CT 09008 | 10 |
| 9  | 41,0           | 37,13          | CS 09009 | 8  | CD 09009 | 10 | CT 09009 | 10 |
| 10 | 45,2           | 41,10          | CS 09010 | 8  | CD 09010 | 10 | CT 09010 | 10 |
| 11 | 48,7           | 45,07          | CS 09011 | 10 | CD 09011 | 10 | CT 09011 | 12 |
| 12 | 53,0           | 49,07          | CS 09012 | 10 | CD 09012 | 10 | CT 09012 | 12 |
| 13 | 57,4           | 53,06          | CS 09013 | 10 | CD 09013 | 10 | CT 09013 | 12 |
| 14 | 61,8           | 57,07          | CS 09014 | 10 | CD 09014 | 10 | CT 09014 | 12 |
| 15 | 65,5           | 61,09          | CS 09015 | 10 | CD 09015 | 10 | CT 09015 | 12 |
| 16 | 69,5           | 65,10          | CS 09016 | 10 | CD 09016 | 12 | CT 09016 | 16 |
| 17 | 73,6           | 69,11          | CS 09017 | 10 | CD 09017 | 12 | CT 09017 | 16 |
| 18 | 77,8           | 73,14          | CS 09018 | 10 | CD 09018 | 12 | CT 09018 | 16 |
| 19 | 81,7           | 77,16          | CS 09019 | 10 | CD 09019 | 12 | CT 09019 | 16 |
| 20 | 85,8           | 81,19          | CS 09020 | 10 | CD 09020 | 12 | CT 09020 | 16 |
| 21 | 89,7           | 85,22          | CS 09021 | 12 | CD 09021 | 16 | CT 09021 | 16 |
| 22 | 93,8           | 89,24          | CS 09022 | 12 | CD 09022 | 16 | CT 09022 | 16 |
| 23 | 98,2           | 93,27          | CS 09023 | 12 | CD 09023 | 16 | CT 09023 | 16 |
| 24 | 101,8          | 97,29          | CS 09024 | 12 | CD 09024 | 16 | CT 09024 | 16 |
| 25 | 105,8          | 101,33         | CS 09025 | 12 | CD 09025 | 16 | CT 09025 | 16 |
| 26 | 110,0          | 105,36         | CS 09026 | 16 | CD 09026 | 16 | CT 09026 | 16 |
| 27 | 114,0          | 109,40         | CS 09027 | 16 | CD 09027 | 16 | CT 09027 | 16 |
| 28 | 118,0          | 113,42         | CS 09028 | 16 | CD 09028 | 16 | CT 09028 | 16 |
| 29 | 122,0          | 117,46         | CS 09029 | 16 | CD 09029 | 16 | CT 09029 | 16 |
| 30 | 126,1          | 121,50         | CS 09030 | 16 | CD 09030 | 16 | CT 09030 | 16 |
| 31 | 130,2          | 125,54         | CS 09031 | 16 | CD 09031 | 16 | CT 09031 | 20 |
| 32 | 134,3          | 129,56         | CS 09032 | 16 | CD 09032 | 16 | CT 09032 | 20 |
| 33 | 138,4          | 133,60         | CS 09033 | 16 | CD 09033 | 16 | CT 09033 | 20 |
| 34 | 142,6          | 137,64         | CS 09034 | 16 | CD 09034 | 16 | CT 09034 | 20 |
| 35 | 146,7          | 141,68         | CS 09035 | 16 | CD 09035 | 16 | CT 09035 | 20 |
| 36 | 151,0          | 145,72         | CS 09036 | 16 | CD 09036 | 20 | CT 09036 | 20 |
| 37 | 154,6          | 149,76         | CS 09037 | 16 | CD 09037 | 20 | CT 09037 | 20 |
| 38 | 158,6          | 153,80         | CS 09038 | 16 | CD 09038 | 20 | CT 09038 | 20 |
| 39 | 162,7          | 157,83         | CS 09039 | 16 | CD 09039 | 20 | CT 09039 | 20 |
| 40 | 166,8          | 161,87         | CS 09040 | 16 | CD 09040 | 20 | CT 09040 | 20 |
| 41 | 171,4          | 165,91         | CS 09041 | 20 | CD 09041 | 20 | CT 09041 | 25 |
| 42 | 175,4          | 169,95         | CS 09042 | 20 | CD 09042 | 20 | CT 09042 | 25 |
| 43 | 179,7          | 173,99         | CS 09043 | 20 | CD 09043 | 20 | CT 09043 | 25 |

| Z   | D <sub>e</sub> | D <sub>p</sub> | Simplex  |    | Duplex   |    | Triplex  |    |
|-----|----------------|----------------|----------|----|----------|----|----------|----|
|     |                |                | cod.     | D  | cod.     | D  | cod.     | D  |
| 44  | 183,8          | 178,03         | CS 09044 | 20 | CD 09044 | 20 | CT 09044 | 25 |
| 45  | 188,0          | 182,07         | CS 09045 | 20 | CD 09045 | 20 | CT 09045 | 25 |
| 46  | 192,1          | 186,10         | CS 09046 | 20 | CD 09046 | 20 | CT 09046 | 25 |
| 47  | 196,2          | 190,14         | CS 09047 | 20 | CD 09047 | 20 | CT 09047 | 25 |
| 48  | 200,3          | 194,18         | CS 09048 | 20 | CD 09048 | 20 | CT 09048 | 25 |
| 49  | 204,3          | 198,22         | CS 09049 | 20 | CD 09049 | 20 | CT 09049 | 25 |
| 50  | 208,3          | 202,26         | CS 09050 | 20 | CD 09050 | 20 | CT 09050 | 25 |
| 51  | 212,1          | 206,30         | CS 09051 | 20 | CD 09051 | 25 | CT 09051 | 25 |
| 52  | 216,1          | 210,34         | CS 09052 | 20 | CD 09052 | 25 | CT 09052 | 25 |
| 53  | 220,2          | 214,37         | CS 09053 | 20 | CD 09053 | 25 | CT 09053 | 25 |
| 54  | 224,1          | 218,43         | CS 09054 | 20 | CD 09054 | 25 | CT 09054 | 25 |
| 55  | 228,1          | 222,46         | CS 09055 | 20 | CD 09055 | 25 | CT 09055 | 25 |
| 56  | 232,2          | 226,50         | CS 09056 | 20 | CD 09056 | 25 | CT 09056 | 25 |
| 57  | 236,4          | 230,54         | CS 09057 | 20 | CD 09057 | 25 | CT 09057 | 25 |
| 58  | 240,5          | 234,58         | CS 09058 | 20 | CD 09058 | 25 | CT 09058 | 25 |
| 59  | 244,5          | 238,62         | CS 09059 | 20 | CD 09059 | 25 | CT 09059 | 25 |
| 60  | 248,6          | 242,66         | CS 09060 | 20 | CD 09060 | 25 | CT 09060 | 25 |
| 62  | 256,9          | 250,75         | CS 09062 | 25 | CD 09062 | 25 | CT 09062 | 25 |
| 64  | 265,1          | 258,82         | CS 09064 | 25 | CD 09064 | 25 | CT 09064 | 25 |
| 65  | 269,0          | 262,86         | CS 09065 | 25 | CD 09065 | 25 | CT 09065 | 25 |
| 66  | 273,0          | 266,90         | CS 09066 | 25 | CD 09066 | 25 | CT 09066 | 25 |
| 68  | 281,0          | 274,99         | CS 09068 | 25 | CD 09068 | 25 | CT 09068 | 25 |
| 70  | 289,0          | 283,07         | CS 09070 | 25 | CD 09070 | 25 | CT 09070 | 25 |
| 72  | 297,2          | 291,16         | CS 09072 | 25 | CD 09072 | 25 | CT 09072 | 25 |
| 75  | 309,2          | 303,27         | CS 09075 | 25 | CD 09075 | 25 | CT 09075 | 25 |
| 76  | 313,3          | 307,33         | CS 09076 | 25 | CD 09076 | 25 | CT 09076 | 25 |
| 78  | 321,4          | 315,40         | CS 09078 | 25 | CD 09078 | 25 | CT 09078 | 25 |
| 80  | 329,4          | 323,48         | CS 09080 | 25 | CD 09080 | 25 | CT 09080 | 25 |
| 85  | 349,0          | 343,69         | CS 09085 | 25 | CD 09085 | 25 | CT 09085 | 25 |
| 90  | 369,9          | 363,90         | CS 09090 | 25 | CD 09090 | 25 | CT 09090 | 25 |
| 95  | 390,1          | 384,11         | CS 09095 | 25 | CD 09095 | 25 | CT 09095 | 25 |
| 100 | 410,3          | 404,31         | CS 09100 | 25 | CD 09100 | 25 | CT 09100 | 25 |
| 110 | 450,7          | 444,74         | CS 09110 | 25 | CD 09110 | 25 | CT 09110 | 25 |
| 114 | 466,9          | 460,90         | CS 09114 | 25 | CD 09114 | 25 | CT 09114 | 25 |
| 120 | 491,2          | 485,16         | CS 09120 | 25 | CD 09120 | 25 | CT 09120 | 25 |
| 125 | 511,3          | 505,37         | CS 09125 | 25 | CD 09125 | 25 | CT 09125 | 25 |



# Corone / Plate wheels Kettenradscheiben / Disques / Discos

Corone per catene semplici, doppie e triple a rulli secondo: DIN 8187 - ISO/R 606

Corone tornite sui lati, dentate con creatore.

Plate wheels for simplex duplex and triplex chain to: DIN 8187 - ISO/R 606

Plate Wheels turned on both sides and toothed by milling cutter.

Kettenradscheiben für Simplex-Duplex-Triplex-Rollenkette nach: DIN 8187 - ISO/R 606

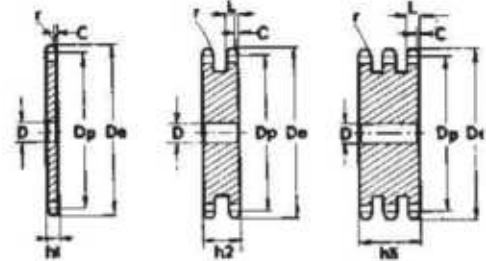
Seitlich plan gedrehte, wälzgefräste Zahnkränze.

Disques pour chaînes simples, doubles et triples à rouleaux suivant les normes: DIN 8187 - ISO/R 606

Disques tournés sur les flancs, dentés à la fraise.

Discos para cadena simple, doble y triple de rodillos según: DIN 8187 - ISO/R 606

Discos torneadas en los lados, dientes obtenidos con fresa madre.



5/8" x 3/8"

10B - 1-2-3 15,875 x 9,65 mm

| CATENA:           | CHAIN:         | KETTE:        | CHAÎNE:            | CADENA:       | ISO mm |
|-------------------|----------------|---------------|--------------------|---------------|--------|
| Passo             | Pitch          | Teilung       | Pas                | Paso          | 15,875 |
| Larghezza interna | Internal width | Innere Breite | Largeur interieure | Ancho interno | 9,650  |
| Rullo ø           | Roller ø       | Rollen ø      | ø du rouleau       | Rodillo ø     | 10,160 |

| CORONE                      | PLATE WHEELS               | KETTENRADSCHIEBEN         | DISQUES                         | DISCOS                      | ISO mm |
|-----------------------------|----------------------------|---------------------------|---------------------------------|-----------------------------|--------|
| Raggio dente r              | Tooth radius r             | Radius r                  | Rayon de denture r              | Radio diente r              | 16,0   |
| Larghezza raggio C          | Radius width C             | Breite C                  | Largeur de rayon C              | Ancho radio C               | 1,6    |
| Largh. dente h <sub>1</sub> | Tooth width h <sub>1</sub> | Zahnbreite h <sub>1</sub> | Larg. de denture h <sub>1</sub> | Ancho diente h <sub>1</sub> | 9,1    |
| Largh. dente L              | Tooth width L              | Zahnbreite L              | Larg. de denture L              | Ancho diente L              | 9,0    |
| Largh. dente h <sub>2</sub> | Tooth width h <sub>2</sub> | Zahnbreite h <sub>2</sub> | Larg. de denture h <sub>2</sub> | Ancho diente h <sub>2</sub> | 25,5   |
| Largh. dente h <sub>3</sub> | Tooth width h <sub>3</sub> | Zahnbreite h <sub>3</sub> | Larg. de denture h <sub>3</sub> | Ancho diente h <sub>3</sub> | 42,1   |
| Altezza totale H            | Full height H              | Gesamt Höhe H             | Hauteur totale H                | Altura total H              | -      |

| Z  | D <sub>e</sub> | D <sub>p</sub> | Simplex  |    | Duplex   |    | Triplex  |    |
|----|----------------|----------------|----------|----|----------|----|----------|----|
|    |                |                | cod.     | D  | cod.     | D  | cod.     | D  |
| 8  | 47,0           | 41,48          | CS 10008 | 10 | CD 10008 | 10 | CT 10008 | 12 |
| 9  | 52,6           | 46,42          | CS 10009 | 10 | CD 10009 | 10 | CT 10009 | 12 |
| 10 | 57,5           | 51,37          | CS 10010 | 10 | CD 10010 | 10 | CT 10010 | 12 |
| 11 | 63,0           | 56,34          | CS 10011 | 10 | CD 10011 | 12 | CT 10011 | 12 |
| 12 | 68,0           | 61,34          | CS 10012 | 10 | CD 10012 | 12 | CT 10012 | 12 |
| 13 | 73,0           | 66,32          | CS 10013 | 10 | CD 10013 | 12 | CT 10013 | 12 |
| 14 | 78,0           | 71,34          | CS 10014 | 10 | CD 10014 | 12 | CT 10014 | 12 |
| 15 | 83,0           | 76,36          | CS 10015 | 10 | CD 10015 | 12 | CT 10015 | 12 |
| 16 | 88,0           | 81,37          | CS 10016 | 12 | CD 10016 | 12 | CT 10016 | 16 |
| 17 | 93,0           | 86,39          | CS 10017 | 12 | CD 10017 | 12 | CT 10017 | 16 |
| 18 | 98,3           | 91,42          | CS 10018 | 12 | CD 10018 | 12 | CT 10018 | 16 |
| 19 | 103,3          | 96,45          | CS 10019 | 12 | CD 10019 | 12 | CT 10019 | 16 |
| 20 | 108,4          | 101,49         | CS 10020 | 12 | CD 10020 | 12 | CT 10020 | 16 |
| 21 | 113,4          | 106,52         | CS 10021 | 12 | CD 10021 | 16 | CT 10021 | 16 |
| 22 | 118,0          | 111,55         | CS 10022 | 12 | CD 10022 | 16 | CT 10022 | 16 |
| 23 | 123,4          | 116,58         | CS 10023 | 12 | CD 10023 | 16 | CT 10023 | 16 |
| 24 | 128,3          | 121,62         | CS 10024 | 12 | CD 10024 | 16 | CT 10024 | 16 |
| 25 | 134,0          | 126,66         | CS 10025 | 12 | CD 10025 | 16 | CT 10025 | 16 |
| 26 | 139,0          | 131,70         | CS 10026 | 16 | CD 10026 | 16 | CT 10026 | 20 |
| 27 | 144,0          | 136,75         | CS 10027 | 16 | CD 10027 | 16 | CT 10027 | 20 |
| 28 | 148,7          | 141,78         | CS 10028 | 16 | CD 10028 | 16 | CT 10028 | 20 |
| 29 | 153,8          | 146,83         | CS 10029 | 16 | CD 10029 | 16 | CT 10029 | 20 |
| 30 | 158,8          | 151,87         | CS 10030 | 16 | CD 10030 | 16 | CT 10030 | 20 |
| 31 | 163,9          | 156,92         | CS 10031 | 16 | CD 10031 | 20 | CT 10031 | 20 |
| 32 | 168,9          | 161,95         | CS 10032 | 16 | CD 10032 | 20 | CT 10032 | 20 |
| 33 | 174,5          | 167,00         | CS 10033 | 16 | CD 10033 | 20 | CT 10033 | 20 |
| 34 | 179,0          | 172,05         | CS 10034 | 16 | CD 10034 | 20 | CT 10034 | 20 |
| 35 | 184,1          | 177,10         | CS 10035 | 16 | CD 10035 | 20 | CT 10035 | 20 |
| 36 | 189,1          | 182,15         | CS 10036 | 20 | CD 10036 | 20 | CT 10036 | 25 |
| 37 | 194,2          | 187,20         | CS 10037 | 20 | CD 10037 | 20 | CT 10037 | 25 |
| 38 | 199,2          | 192,24         | CS 10038 | 20 | CD 10038 | 20 | CT 10038 | 25 |
| 39 | 204,2          | 197,29         | CS 10039 | 20 | CD 10039 | 20 | CT 10039 | 25 |
| 40 | 209,3          | 202,34         | CS 10040 | 20 | CD 10040 | 20 | CT 10040 | 25 |
| 41 | 214,8          | 207,39         | CS 10041 | 20 | CD 10041 | 20 | CT 10041 | 25 |
| 42 | 219,9          | 212,44         | CS 10042 | 20 | CD 10042 | 20 | CT 10042 | 25 |
| 43 | 224,9          | 217,49         | CS 10043 | 20 | CD 10043 | 20 | CT 10043 | 25 |

| Z   | D <sub>e</sub> | D <sub>p</sub> | Simplex  |    | Duplex   |    | Triplex  |    |
|-----|----------------|----------------|----------|----|----------|----|----------|----|
|     |                |                | cod.     | D  | cod.     | D  | cod.     | D  |
| 44  | 230,0          | 222,53         | CS 10044 | 20 | CD 10044 | 20 | CT 10044 | 25 |
| 45  | 235,0          | 227,58         | CS 10045 | 20 | CD 10045 | 20 | CT 10045 | 25 |
| 46  | 240,1          | 232,63         | CS 10046 | 20 | CD 10046 | 25 | CT 10046 | 25 |
| 47  | 245,1          | 237,68         | CS 10047 | 20 | CD 10047 | 25 | CT 10047 | 25 |
| 48  | 250,2          | 242,73         | CS 10048 | 20 | CD 10048 | 25 | CT 10048 | 25 |
| 49  | 255,2          | 247,78         | CS 10049 | 20 | CD 10049 | 25 | CT 10049 | 25 |
| 50  | 260,3          | 252,82         | CS 10050 | 20 | CD 10050 | 25 | CT 10050 | 25 |
| 51  | 265,3          | 257,87         | CS 10051 | 20 | CD 10051 | 25 | CT 10051 | 25 |
| 52  | 270,4          | 262,92         | CS 10052 | 20 | CD 10052 | 25 | CT 10052 | 25 |
| 53  | 275,4          | 267,97         | CS 10053 | 20 | CD 10053 | 25 | CT 10053 | 25 |
| 54  | 280,5          | 273,03         | CS 10054 | 20 | CD 10054 | 25 | CT 10054 | 25 |
| 55  | 285,5          | 278,08         | CS 10055 | 20 | CD 10055 | 25 | CT 10055 | 25 |
| 56  | 290,6          | 283,13         | CS 10056 | 25 | CD 10056 | 25 | CT 10056 | 25 |
| 57  | 296,0          | 288,18         | CS 10057 | 25 | CD 10057 | 25 | CT 10057 | 25 |
| 58  | 300,7          | 293,23         | CS 10058 | 25 | CD 10058 | 25 | CT 10058 | 25 |
| 59  | 305,7          | 298,27         | CS 10059 | 25 | CD 10059 | 25 | CT 10059 | 25 |
| 60  | 310,8          | 303,32         | CS 10060 | 25 | CD 10060 | 25 | CT 10060 | 25 |
| 62  | 321,4          | 313,43         | CS 10062 | 25 | CD 10062 | 25 | CT 10062 | 30 |
| 64  | 331,5          | 323,53         | CS 10064 | 25 | CD 10064 | 25 | CT 10064 | 30 |
| 65  | 336,5          | 328,58         | CS 10065 | 25 | CD 10065 | 25 | CT 10065 | 30 |
| 66  | 341,6          | 333,63         | CS 10066 | 25 | CD 10066 | 25 | CT 10066 | 30 |
| 68  | 351,7          | 343,74         | CS 10068 | 25 | CD 10068 | 25 | CT 10068 | 30 |
| 70  | 361,8          | 353,84         | CS 10070 | 25 | CD 10070 | 25 | CT 10070 | 30 |
| 72  | 371,9          | 363,95         | CS 10072 | 25 | CD 10072 | 25 | CT 10072 | 30 |
| 75  | 387,1          | 379,09         | CS 10075 | 25 | CD 10075 | 25 | CT 10075 | 30 |
| 76  | 392,1          | 384,16         | CS 10076 | 25 | CD 10076 | 25 | CT 10076 | 30 |
| 78  | 402,2          | 394,25         | CS 10078 | 25 | CD 10078 | 25 | CT 10078 | 30 |
| 80  | 412,3          | 404,35         | CS 10080 | 25 | CD 10080 | 25 | CT 10080 | 30 |
| 85  | 437,6          | 429,62         | CS 10085 | 30 | CD 10085 | 30 | CT 10085 | 30 |
| 90  | 462,8          | 454,88         | CS 10090 | 30 | CD 10090 | 30 | CT 10090 | 30 |
| 95  | 488,5          | 480,14         | CS 10095 | 30 | CD 10095 | 30 | CT 10095 | 30 |
| 100 | 513,4          | 505,40         | CS 10100 | 30 | CD 10100 | 30 | CT 10100 | 30 |
| 110 | 563,9          | 555,92         | CS 10110 | 30 | CD 10110 | 30 | CT 10110 | 30 |
| 114 | 584,1          | 576,13         | CS 10114 | 30 | CD 10114 | 30 | CT 10114 | 30 |
| 120 | 614,8          | 606,44         | CS 10120 | 30 | CD 10120 | 30 | CT 10120 | 30 |
| 125 | 639,7          | 631,71         | CS 10125 | 30 | CD 10125 | 30 | CT 10125 | 30 |



# Corone / Plate wheels Kettenradscheiben / Disques / Discos

Corone per catene semplici, doppie e triple a rulli secondo: DIN 8187 - ISO/R 606

Corone tornite sui lati, dentate con creatore.

Plate wheels for simplex duplex and triplex chain to: DIN 8187 - ISO/R 606

Plate Wheels turned on both sides and toothed by milling cutter.

Kettenradscheiben für Simplex-Duplex-Triplex-Rollenkette nach: DIN 8187 - ISO/R 606

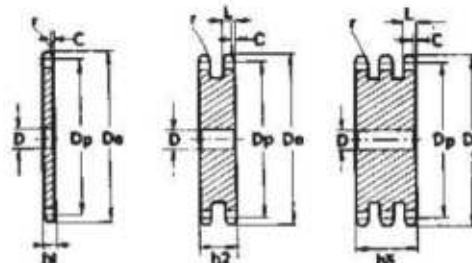
Seitlich plan gedrehte, wälzgefräste Zahnkränze.

Disques pour chaînes simples, doubles et triples à rouleaux suivant les normes: DIN 8187 - ISO/R 606

Disques tournés sur les flancs, dentés à la fraise.

Discos para cadena simple, doble y triple de rodillos segun: DIN 8187 - ISO/R 606

Discos torneadas en los lados, dientes obtenidos con fresa madre.



3/4" x 7/16"

12B - 1-2-3 19,05 x 11,68 mm

| CATENA:           | CHAIN:         | KETTE:        | CHAÎNE:            | CADENA:       | ISO mm |
|-------------------|----------------|---------------|--------------------|---------------|--------|
| Passo             | Pitch          | Teilung       | Pas                | Paso          | 19,05  |
| Larghezza interna | Internal width | Innere Breite | Largeur interieure | Ancho interno | 11,68  |
| Rullo ø           | Roller ø       | Rollen ø      | ø du rouleau       | Rodillo ø     | 12,07  |

| CORONE                      | PLATE WHEELS               | KETTENRADSCHIEBEN         | DISQUES                         | DISCOS                      | ISO mm              |
|-----------------------------|----------------------------|---------------------------|---------------------------------|-----------------------------|---------------------|
| Raggio dente r              | Tooth radius r             | Radius r                  | Rayon de denture r              | Radio diente r              | r 19,0              |
| Larghezza raggio C          | Radius width C             | Breite C                  | Largeur de rayon C              | Ancho radio C               | C 2,0               |
| Largh. dente h <sub>1</sub> | Tooth width h <sub>1</sub> | Zahnbreite h <sub>1</sub> | Larg. de denture h <sub>1</sub> | Ancho diente h <sub>1</sub> | h <sub>1</sub> 11,1 |
| Largh. dente L              | Tooth width L              | Zahnbreite L              | Larg. de denture L              | Ancho diente L              | L 10,8              |
| Largh. dente h <sub>2</sub> | Tooth width h <sub>2</sub> | Zahnbreite h <sub>2</sub> | Larg. de denture h <sub>2</sub> | Ancho diente h <sub>2</sub> | h <sub>2</sub> 30,3 |
| Largh. dente h <sub>3</sub> | Tooth width h <sub>3</sub> | Zahnbreite h <sub>3</sub> | Larg. de denture h <sub>3</sub> | Ancho diente h <sub>3</sub> | h <sub>3</sub> 49,8 |
| Altezza totale H            | Full height H              | Gesamt Höhe H             | Hauteur totale H                | Altura total H              | H -                 |

| Z  | D <sub>e</sub> | D <sub>p</sub> | Simplex  |    | Duplex   |    | Triplex  |    | Z   | D <sub>e</sub> | D <sub>p</sub> | Simplex  |    | Duplex   |    | Triplex  |    |
|----|----------------|----------------|----------|----|----------|----|----------|----|-----|----------------|----------------|----------|----|----------|----|----------|----|
|    |                |                | cod.     | D  | cod.     | D  | cod.     | D  |     |                |                | cod.     | D  | cod.     | D  | cod.     | D  |
| 8  | 57,6           | 49,78          | CS 11008 | 12 | CD 11008 | 12 | CT 11008 | 12 | 44  | 276,5          | 267,03         | CS 11044 | 25 | CD 11044 | 25 | CT 11044 | 25 |
| 9  | 62,0           | 55,70          | CS 11009 | 12 | CD 11009 | 12 | CT 11009 | 12 | 45  | 282,5          | 273,10         | CS 11045 | 25 | CD 11045 | 25 | CT 11045 | 25 |
| 10 | 69,0           | 61,64          | CS 11010 | 12 | CD 11010 | 12 | CT 11010 | 12 | 46  | 287,9          | 279,16         | CS 11046 | 25 | CD 11046 | 25 | CT 11046 | 25 |
| 11 | 75,0           | 67,61          | CS 11011 | 14 | CD 11011 | 14 | CT 11011 | 16 | 47  | 294,0          | 285,21         | CS 11047 | 25 | CD 11047 | 25 | CT 11047 | 25 |
| 12 | 81,5           | 73,60          | CS 11012 | 14 | CD 11012 | 14 | CT 11012 | 16 | 48  | 300,1          | 291,27         | CS 11048 | 25 | CD 11048 | 25 | CT 11048 | 25 |
| 13 | 87,5           | 79,59          | CS 11013 | 14 | CD 11013 | 14 | CT 11013 | 16 | 49  | 306,2          | 297,33         | CS 11049 | 25 | CD 11049 | 25 | CT 11049 | 25 |
| 14 | 93,6           | 85,61          | CS 11014 | 14 | CD 11014 | 14 | CT 11014 | 16 | 50  | 312,3          | 303,39         | CS 11050 | 25 | CD 11050 | 25 | CT 11050 | 25 |
| 15 | 99,8           | 91,63          | CS 11015 | 14 | CD 11015 | 14 | CT 11015 | 16 | 51  | 318,4          | 309,45         | CS 11051 | 25 | CD 11051 | 25 | CT 11051 | 25 |
| 16 | 105,5          | 97,65          | CS 11016 | 14 | CD 11016 | 16 | CT 11016 | 16 | 52  | 324,5          | 315,50         | CS 11052 | 25 | CD 11052 | 25 | CT 11052 | 25 |
| 17 | 111,5          | 103,67         | CS 11017 | 14 | CD 11017 | 16 | CT 11017 | 16 | 53  | 330,5          | 321,56         | CS 11053 | 25 | CD 11053 | 25 | CT 11053 | 25 |
| 18 | 118,0          | 109,71         | CS 11018 | 14 | CD 11018 | 16 | CT 11018 | 16 | 54  | 336,6          | 327,64         | CS 11054 | 25 | CD 11054 | 25 | CT 11054 | 25 |
| 19 | 124,2          | 115,75         | CS 11019 | 14 | CD 11019 | 16 | CT 11019 | 16 | 55  | 342,7          | 333,70         | CS 11055 | 25 | CD 11055 | 25 | CT 11055 | 25 |
| 20 | 129,7          | 121,78         | CS 11020 | 14 | CD 11020 | 16 | CT 11020 | 16 | 56  | 348,7          | 339,75         | CS 11056 | 25 | CD 11056 | 25 | CT 11056 | 30 |
| 21 | 136,0          | 127,82         | CS 11021 | 16 | CD 11021 | 16 | CT 11021 | 20 | 57  | 355,4          | 345,81         | CS 11057 | 25 | CD 11057 | 25 | CT 11057 | 30 |
| 22 | 141,8          | 133,86         | CS 11022 | 16 | CD 11022 | 16 | CT 11022 | 20 | 58  | 361,5          | 351,87         | CS 11058 | 25 | CD 11058 | 25 | CT 11058 | 30 |
| 23 | 149,0          | 139,90         | CS 11023 | 16 | CD 11023 | 16 | CT 11023 | 20 | 59  | 367,5          | 357,93         | CS 11059 | 25 | CD 11059 | 25 | CT 11059 | 30 |
| 24 | 153,9          | 145,94         | CS 11024 | 16 | CD 11024 | 16 | CT 11024 | 20 | 60  | 373,0          | 363,99         | CS 11060 | 25 | CD 11060 | 25 | CT 11060 | 30 |
| 25 | 160,0          | 152,00         | CS 11025 | 16 | CD 11025 | 16 | CT 11025 | 20 | 62  | 385,1          | 376,12         | CS 11062 | 25 | CD 11062 | 30 | CT 11062 | 30 |
| 26 | 165,9          | 158,04         | CS 11026 | 16 | CD 11026 | 20 | CT 11026 | 20 | 64  | 397,2          | 388,24         | CS 11064 | 25 | CD 11064 | 30 | CT 11064 | 30 |
| 27 | 172,3          | 164,09         | CS 11027 | 16 | CD 11027 | 20 | CT 11027 | 20 | 65  | 403,2          | 394,29         | CS 11065 | 25 | CD 11065 | 30 | CT 11065 | 30 |
| 28 | 178,0          | 170,13         | CS 11028 | 16 | CD 11028 | 20 | CT 11028 | 20 | 66  | 409,2          | 400,35         | CS 11066 | 30 | CD 11066 | 30 | CT 11066 | 30 |
| 29 | 184,1          | 176,19         | CS 11029 | 16 | CD 11029 | 20 | CT 11029 | 20 | 68  | 421,4          | 412,49         | CS 11068 | 30 | CD 11068 | 30 | CT 11068 | 30 |
| 30 | 190,5          | 182,25         | CS 11030 | 16 | CD 11030 | 20 | CT 11030 | 20 | 70  | 433,6          | 424,60         | CS 11070 | 30 | CD 11070 | 30 | CT 11070 | 30 |
| 31 | 196,3          | 188,31         | CS 11031 | 20 | CD 11031 | 20 | CT 11031 | 25 | 72  | 447,0          | 436,74         | CS 11072 | 30 | CD 11072 | 30 | CT 11072 | 30 |
| 32 | 203,3          | 194,35         | CS 11032 | 20 | CD 11032 | 20 | CT 11032 | 25 | 75  | 463,9          | 454,91         | CS 11075 | 30 | CD 11075 | 30 | CT 11075 | 30 |
| 33 | 209,3          | 200,40         | CS 11033 | 20 | CD 11033 | 20 | CT 11033 | 25 | 76  | 469,9          | 460,99         | CS 11076 | 30 | CD 11076 | 30 | CT 11076 | 30 |
| 34 | 214,6          | 206,46         | CS 11034 | 20 | CD 11034 | 20 | CT 11034 | 25 | 78  | 482,1          | 473,10         | CS 11078 | 30 | CD 11078 | 30 | CT 11078 | 30 |
| 35 | 221,0          | 212,52         | CS 11035 | 20 | CD 11035 | 20 | CT 11035 | 25 | 80  | 494,2          | 485,22         | CS 11080 | 30 | CD 11080 | 30 | CT 11080 | 30 |
| 36 | 226,8          | 218,58         | CS 11036 | 20 | CD 11036 | 25 | CT 11036 | 25 | 85  | 524,5          | 515,55         | CS 11085 | 30 | CD 11085 | 30 | CT 11085 | 30 |
| 37 | 232,9          | 224,64         | CS 11037 | 20 | CD 11037 | 25 | CT 11037 | 25 | 90  | 554,8          | 545,86         | CS 11090 | 30 | CD 11090 | 30 | CT 11090 | 30 |
| 38 | 239,0          | 230,69         | CS 11038 | 20 | CD 11038 | 25 | CT 11038 | 25 | 95  | 585,1          | 576,17         | CS 11095 | 30 | CD 11095 | 30 | CT 11095 | 30 |
| 39 | 245,1          | 236,75         | CS 11039 | 20 | CD 11039 | 25 | CT 11039 | 25 | 100 | 615,4          | 606,47         | CS 11100 | 30 | CD 11100 | 30 | CT 11100 | 30 |
| 40 | 251,3          | 242,81         | CS 11040 | 20 | CD 11040 | 25 | CT 11040 | 25 | 110 | 676,1          | 667,11         | CS 11110 | 30 | CD 11110 | 30 | CT 11110 | 30 |
| 41 | 257,3          | 248,87         | CS 11041 | 25 | CD 11041 | 25 | CT 11041 | 25 | 114 | 700,6          | 691,36         | CS 11114 | 30 | CD 11114 | 30 | CT 11114 | 30 |
| 42 | 264,5          | 254,93         | CS 11042 | 25 | CD 11042 | 25 | CT 11042 | 25 | 120 | 736,7          | 727,74         | CS 11120 | 30 | CD 11120 | 30 | CT 11120 | 30 |
| 43 | 270,5          | 260,98         | CS 11043 | 25 | CD 11043 | 25 | CT 11043 | 25 | 125 | 767,0          | 758,05         | CS 11125 | 30 | CD 11125 | 30 | CT 11125 | 30 |



# Corone / Plate wheels Kettenradscheiben / Disques / Discos

Corone per catene semplici, doppie e triple a rulli secondo: DIN 8187 - ISO/R 606

**Corone tornite sui lati, dentate con creatore.**

Plate wheels for simplex duplex and triplex chain to: DIN 8187 - ISO/R 606

**Plate Wheels turned on both sides and toothed by milling cutter.**

Kettenradscheiben für Simplex-Duplex-Triplex-Rollenkette nach: DIN 8187 - ISO/R 606

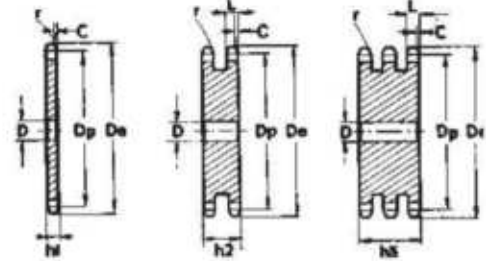
**Seitlich plan gedrehte, wälzgefräste Zahnkränze.**

Disques pour chaînes simples, doubles et triples à rouleaux suivant les normes: DIN 8187 - ISO/R 606

**Disques tournés sur les flancs, dentés à la fraise.**

Discos para cadena simple, doble y triple de rodillos según: DIN 8187 - ISO/R 606

**Discos torneadas en los lados, dientes obtenidos con fresa madre.**



**1" x 17,02 mm**

**16B - 1-2-3 25,4 x 17,02 mm**

| CATENA:           | CHAIN:         | KETTE:        | CHAÎNE:            | CADENA:       | ISO mm |
|-------------------|----------------|---------------|--------------------|---------------|--------|
| Passo             | Pitch          | Teilung       | Pas                | Paso          | 25,40  |
| Larghezza interna | Internal width | Innere Breite | Largeur interieure | Ancho interno | 17,02  |
| Rullo ø           | Roller ø       | Rollen ø      | ø du rouleau       | Rodillo ø     | 15,88  |

| CORONE                      | PLATE WHEELS               | KETTENRADSCHIEBEN         | DISQUES                         | DISCOS                      | ISO mm              |
|-----------------------------|----------------------------|---------------------------|---------------------------------|-----------------------------|---------------------|
| Raggio dente r              | Tooth radius r             | Radius r                  | Rayon de denture r              | Radio diente r              | r 26,0              |
| Larghezza raggio C          | Radius width C             | Breite C                  | Largeur de rayon C              | Ancho radio C               | C 2,5               |
| Largh. dente h <sub>1</sub> | Tooth width h <sub>1</sub> | Zahnbreite h <sub>1</sub> | Larg. de denture h <sub>1</sub> | Ancho diente h <sub>1</sub> | h <sub>1</sub> 16,2 |
| Largh. dente L              | Tooth width L              | Zahnbreite L              | Larg. de denture L              | Ancho diente L              | L 15,8              |
| Largh. dente h <sub>2</sub> | Tooth width h <sub>2</sub> | Zahnbreite h <sub>2</sub> | Larg. de denture h <sub>2</sub> | Ancho diente h <sub>2</sub> | h <sub>2</sub> 47,7 |
| Largh. dente h <sub>3</sub> | Tooth width h <sub>3</sub> | Zahnbreite h <sub>3</sub> | Larg. de denture h <sub>3</sub> | Ancho diente h <sub>3</sub> | h <sub>3</sub> 79,6 |
| Altezza totale H            | Full height H              | Gesamt Höhe H             | Hauteur totale H                | Altura total H              | H -                 |

| Z  | D <sub>e</sub> | D <sub>p</sub> | Simplex  |    | Duplex   |    | Triplex  |    |
|----|----------------|----------------|----------|----|----------|----|----------|----|
|    |                |                | cod.     | D  | cod.     | D  | cod.     | D  |
| 8  | 77,0           | 66,37          | CS 12008 | 12 | CD 12008 | 16 | CT 12008 | 20 |
| 9  | 85,0           | 74,27          | CS 12009 | 12 | CD 12009 | 16 | CT 12009 | 20 |
| 10 | 93,0           | 82,19          | CS 12010 | 15 | CD 12010 | 16 | CT 12010 | 20 |
| 11 | 99,5           | 90,14          | CS 12011 | 15 | CD 12011 | 20 | CT 12011 | 20 |
| 12 | 109,0          | 98,14          | CS 12012 | 15 | CD 12012 | 20 | CT 12012 | 20 |
| 13 | 117,0          | 106,12         | CS 12013 | 15 | CD 12013 | 20 | CT 12013 | 20 |
| 14 | 125,0          | 114,15         | CS 12014 | 15 | CD 12014 | 20 | CT 12014 | 20 |
| 15 | 133,0          | 122,17         | CS 12015 | 15 | CD 12015 | 20 | CT 12015 | 20 |
| 16 | 141,0          | 130,20         | CS 12016 | 19 | CD 12016 | 20 | CT 12016 | 30 |
| 17 | 149,0          | 138,22         | CS 12017 | 19 | CD 12017 | 20 | CT 12017 | 30 |
| 18 | 157,0          | 146,28         | CS 12018 | 19 | CD 12018 | 20 | CT 12018 | 30 |
| 19 | 165,2          | 154,33         | CS 12019 | 19 | CD 12019 | 20 | CT 12019 | 30 |
| 20 | 173,2          | 162,38         | CS 12020 | 19 | CD 12020 | 20 | CT 12020 | 30 |
| 21 | 181,2          | 170,43         | CS 12021 | 20 | CD 12021 | 25 | CT 12021 | 30 |
| 22 | 189,3          | 178,48         | CS 12022 | 20 | CD 12022 | 25 | CT 12022 | 30 |
| 23 | 197,5          | 186,53         | CS 12023 | 20 | CD 12023 | 25 | CT 12023 | 30 |
| 24 | 205,5          | 194,59         | CS 12024 | 20 | CD 12024 | 25 | CT 12024 | 30 |
| 25 | 213,5          | 202,66         | CS 12025 | 20 | CD 12025 | 25 | CT 12025 | 30 |
| 26 | 221,6          | 210,72         | CS 12026 | 20 | CD 12026 | 25 | CT 12026 | 30 |
| 27 | 229,6          | 218,79         | CS 12027 | 20 | CD 12027 | 25 | CT 12027 | 30 |
| 28 | 237,7          | 226,85         | CS 12028 | 20 | CD 12028 | 25 | CT 12028 | 30 |
| 29 | 245,8          | 234,92         | CS 12029 | 20 | CD 12029 | 25 | CT 12029 | 30 |
| 30 | 254,0          | 243,00         | CS 12030 | 20 | CD 12030 | 25 | CT 12030 | 30 |
| 31 | 262,0          | 251,08         | CS 12031 | 25 | CD 12031 | 25 | CT 12031 | 30 |
| 32 | 270,0          | 259,13         | CS 12032 | 25 | CD 12032 | 25 | CT 12032 | 30 |
| 33 | 278,5          | 267,21         | CS 12033 | 25 | CD 12033 | 25 | CT 12033 | 30 |
| 34 | 287,0          | 275,28         | CS 12034 | 25 | CD 12034 | 25 | CT 12034 | 30 |
| 35 | 296,2          | 283,36         | CS 12035 | 25 | CD 12035 | 25 | CT 12035 | 30 |
| 36 | 304,6          | 291,44         | CS 12036 | 25 | CD 12036 | 25 | CT 12036 | 30 |
| 37 | 312,6          | 299,51         | CS 12037 | 25 | CD 12037 | 25 | CT 12037 | 30 |
| 38 | 320,7          | 307,59         | CS 12038 | 25 | CD 12038 | 25 | CT 12038 | 30 |
| 39 | 328,8          | 315,67         | CS 12039 | 25 | CD 12039 | 25 | CT 12039 | 30 |
| 40 | 336,9          | 323,73         | CS 12040 | 25 | CD 12040 | 25 | CT 12040 | 30 |
| 41 | 345,0          | 331,82         | CS 12041 | 25 |          |    |          |    |
| 42 | 353,0          | 339,90         | CS 12042 | 25 | CD 12042 | 25 | CT 12042 | 30 |
| 43 | 361,1          | 347,98         | CS 12043 | 25 | CD 12043 | 25 |          |    |

| Z   | D <sub>e</sub> | D <sub>p</sub> | Simplex  |    | Duplex   |    | Triplex  |    |
|-----|----------------|----------------|----------|----|----------|----|----------|----|
|     |                |                | cod.     | D  | cod.     | D  | cod.     | D  |
| 44  | 369,1          | 356,06         | CS 12044 | 25 | CD 12044 | 25 | CT 12044 | 30 |
| 45  | 377,1          | 364,12         | CS 12045 | 25 | CD 12045 | 25 | CT 12045 | 30 |
| 46  | 385,2          | 372,21         | CS 12046 | 25 | CD 12046 | 30 | CT 12046 | 30 |
| 47  | 393,2          | 380,29         | CS 12047 | 25 |          |    |          |    |
| 48  | 401,3          | 388,36         | CS 12048 | 25 | CD 12048 | 30 | CT 12048 | 30 |
| 49  | 409,3          | 396,44         | CS 12049 | 25 |          |    |          |    |
| 50  | 417,4          | 404,52         | CS 12050 | 25 | CD 12050 | 30 | CT 12050 | 30 |
| 51  | 425,5          | 412,60         | CS 12051 | 30 | CD 12051 | 30 | CT 12051 | 40 |
| 52  | 433,6          | 420,67         | CS 12052 | 30 | CD 12052 | 30 | CT 12052 | 40 |
| 53  | 441,7          | 428,75         | CS 12053 | 30 |          |    |          |    |
| 54  | 448,3          | 436,85         | CS 12054 | 30 |          |    |          |    |
| 55  | 457,9          | 444,93         | CS 12055 | 30 | CD 12055 | 30 | CT 12055 | 40 |
| 56  | 466,0          | 453,01         | CS 12056 | 30 | CD 12056 | 30 |          |    |
| 57  | 474,0          | 461,07         | CS 12057 | 30 | CD 12057 | 30 | CT 12057 | 40 |
| 58  | 482,1          | 469,16         | CS 12058 | 30 |          |    |          |    |
| 59  | 490,2          | 477,24         | CS 12059 | 30 |          |    |          |    |
| 60  | 498,3          | 485,32         | CS 12060 | 30 | CD 12060 | 30 | CT 12060 | 40 |
| 62  | 514,5          | 501,50         | CS 12062 | 30 | CD 12062 | 30 |          |    |
| 64  | 530,7          | 517,65         | CS 12064 | 30 |          |    |          |    |
| 65  | 538,8          | 525,73         | CS 12065 | 30 | CD 12065 | 30 | CT 12065 | 40 |
| 66  | 546,8          | 533,80         | CS 12066 | 30 |          |    |          |    |
| 68  | 562,9          | 549,98         | CS 12068 | 30 | CD 12068 | 30 | CT 12068 | 40 |
| 70  | 579,2          | 566,14         | CS 12070 | 30 | CD 12070 | 30 | CT 12070 | 40 |
| 72  | 595,4          | 582,32         | CS 12072 | 30 | CD 12072 | 30 | CT 12072 | 40 |
| 75  | 619,7          | 606,55         | CS 12075 | 30 | CD 12075 | 30 | CT 12075 | 40 |
| 76  | 627,0          | 614,65         | CS 12076 | 30 | CD 12076 | 30 | CT 12076 | 40 |
| 78  | 643,3          | 630,80         | CS 12078 | 30 |          |    |          |    |
| 80  | 660,0          | 646,96         | CS 12080 | 30 | CD 12080 | 30 | CT 12080 | 40 |
| 85  | 699,9          | 687,40         | CS 12085 | 30 | CD 12085 | 30 | CT 12085 | 40 |
| 90  | 740,3          | 727,81         | CS 12090 | 30 | CD 12090 | 30 | CT 12090 | 40 |
| 95  | 781,1          | 768,22         | CS 12095 | 30 | CD 12095 | 30 | CT 12095 | 40 |
| 100 | 821,1          | 808,63         | CS 12100 | 30 | CD 12100 | 30 | CT 12100 | 40 |
| 110 | 902,0          | 889,48         | CS 12110 | 30 | CD 12110 | 30 | CT 12110 | 40 |
| 114 | 934,3          | 921,81         | CS 12114 | 30 | CD 12114 | 40 | CT 12114 | 40 |
| 120 | 982,8          | 970,33         | CS 12120 | 30 | CD 12120 | 40 | CT 12120 | 40 |
| 125 | 1023,2         | 1010,73        | CS 12125 | 30 | CD 12125 | 40 | CT 12125 | 40 |



# Corone / Plate wheels

## Kettenradscheiben / Disques / Discos

Corone per catene semplici, doppie e triple a rulli secondo: DIN 8187 - ISO/R 606

Corone tornite sui lati, dentate con creatore.

Plate wheels for simplex duplex and triplex chain to: DIN 8187 - ISO/R 606

Plate Wheels turned on both sides and toothed by milling cutter.

Kettenradscheiben für Simplex-Duplex-Triplex-Rollenkette nach: DIN 8187 - ISO/R 606

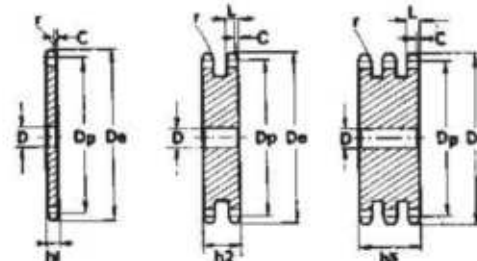
Seitlich plan gedrehte, wälzgefräste Zahnkränze.

Disques pour chaînes simples, doubles et triples à rouleaux suivant les normes: DIN 8187 - ISO/R 606

Disques tournés sur les flancs, dentés à la fraise.

Discos para cadena simple, doble y triple de rodillos segun: DIN 8187 - ISO/R 606

Discos torneadas en los lados, dientes obtenidos con fresa madre.



1"1/4 x 3/4"

20B - 1-2-3 31,75 x 19,56 mm

| CATENA:           | CHAIN:         | KETTE:        | CHAÎNE:            | CADENA:       | ISO mm |
|-------------------|----------------|---------------|--------------------|---------------|--------|
| Passo             | Pitch          | Teilung       | Pas                | Paso          | 31,75  |
| Larghezza interna | Internal width | Innere Breite | Largeur interieure | Ancho interno | 19,56  |
| Rullo ø           | Roller ø       | Rollen ø      | ø du rouleau       | Rodillo ø     | 19,05  |

| CORONE                      | PLATE WHEELS               | KETTENRADSCHIEBEN         | DISQUES                         | DISCOS                      | ISO mm |
|-----------------------------|----------------------------|---------------------------|---------------------------------|-----------------------------|--------|
| Raggio dente r              | Tooth radius r             | Radius r                  | Rayon de denture r              | Radio diente r              | 32,0   |
| Larghezza raggio C          | Radius width C             | Breite C                  | Largeur de rayon C              | Ancho radio C               | 3,5    |
| Largh. dente h <sub>1</sub> | Tooth width h <sub>1</sub> | Zahnbreite h <sub>1</sub> | Larg. de denture h <sub>1</sub> | Ancho diente h <sub>1</sub> | 18,5   |
| Largh. dente L              | Tooth width L              | Zahnbreite L              | Larg. de denture L              | Ancho diente L              | 18,2   |
| Largh. dente h <sub>2</sub> | Tooth width h <sub>2</sub> | Zahnbreite h <sub>2</sub> | Larg. de denture h <sub>2</sub> | Ancho diente h <sub>2</sub> | 54,6   |
| Largh. dente h <sub>3</sub> | Tooth width h <sub>3</sub> | Zahnbreite h <sub>3</sub> | Larg. de denture h <sub>3</sub> | Ancho diente h <sub>3</sub> | 91,0   |
| Altezza totale H            | Full height H              | Gesamt Höhe H             | Hauteur totale H                | Altura total H              | -      |

| Z  | D <sub>e</sub> | D <sub>p</sub> | Simplex  |    | Duplex   |    | Triplex  |    |
|----|----------------|----------------|----------|----|----------|----|----------|----|
|    |                |                | cod.     | D  | cod.     | D  | cod.     | D  |
| 8  | 98,1           | 82,96          | CS 13008 | 16 | CD 13008 | 20 | CT 13008 | 20 |
| 9  | 108,0          | 92,84          | CS 13009 | 16 | CD 13009 | 20 | CT 13009 | 20 |
| 10 | 117,9          | 102,74         | CS 13010 | 16 | CD 13010 | 20 | CT 13010 | 20 |
| 11 | 127,8          | 112,68         | CS 13011 | 20 | CD 13011 | 20 | CT 13011 | 20 |
| 12 | 137,8          | 122,68         | CS 13012 | 20 | CD 13012 | 20 | CT 13012 | 20 |
| 13 | 147,8          | 132,65         | CS 13013 | 20 | CD 13013 | 20 | CT 13013 | 20 |
| 14 | 157,8          | 142,68         | CS 13014 | 20 | CD 13014 | 20 | CT 13014 | 20 |
| 15 | 167,9          | 152,72         | CS 13015 | 20 | CD 13015 | 20 | CT 13015 | 20 |
| 16 | 177,9          | 162,75         | CS 13016 | 20 | CD 13016 | 25 | CT 13016 | 25 |
| 17 | 187,9          | 172,78         | CS 13017 | 20 | CD 13017 | 25 | CT 13017 | 25 |
| 18 | 198,0          | 182,85         | CS 13018 | 20 | CD 13018 | 25 | CT 13018 | 25 |
| 19 | 208,1          | 192,91         | CS 13019 | 20 | CD 13019 | 25 | CT 13019 | 25 |
| 20 | 218,1          | 202,98         | CS 13020 | 20 | CD 13020 | 25 | CT 13020 | 25 |
| 21 | 228,2          | 213,04         | CS 13021 | 25 | CD 13021 | 25 | CT 13021 | 25 |
| 22 | 238,3          | 223,11         | CS 13022 | 25 | CD 13022 | 25 | CT 13022 | 25 |
| 23 | 248,3          | 233,17         | CS 13023 | 25 | CD 13023 | 25 | CT 13023 | 25 |
| 24 | 258,4          | 243,23         | CS 13024 | 25 | CD 13024 | 25 | CT 13024 | 25 |
| 25 | 268,5          | 253,33         | CS 13025 | 25 | CD 13025 | 25 | CT 13025 | 25 |
| 26 | 278,6          | 263,40         | CS 13026 | 25 | CD 13026 | 25 | CT 13026 | 25 |
| 27 | 288,6          | 273,48         | CS 13027 | 25 | CD 13027 | 25 | CT 13027 | 25 |
| 28 | 298,7          | 283,56         | CS 13028 | 25 | CD 13028 | 25 | CT 13028 | 25 |
| 29 | 308,8          | 293,65         | CS 13029 | 25 | CD 13029 | 25 | CT 13029 | 25 |
| 30 | 318,9          | 303,75         | CS 13030 | 25 | CD 13030 | 25 | CT 13030 | 25 |
| 31 | 329,0          | 313,85         | CS 13031 | 25 | CD 13031 | 25 | CT 13031 | 30 |
| 32 | 339,1          | 323,91         | CS 13032 | 25 | CD 13032 | 25 | CT 13032 | 30 |
| 33 | 349,2          | 334,01         | CS 13033 | 25 | CD 13033 | 25 | CT 13033 | 30 |
| 34 | 359,3          | 334,10         | CS 13034 | 25 | CD 13034 | 25 | CT 13034 | 30 |
| 35 | 369,4          | 354,20         | CS 13035 | 25 | CD 13035 | 25 | CT 13035 | 30 |
| 36 | 379,5          | 364,30         | CS 13036 | 25 | CD 13036 | 30 | CT 13036 | 30 |
| 37 | 389,5          | 374,39         | CS 13037 | 25 | CD 13037 | 30 | CT 13037 | 30 |
| 38 | 399,6          | 384,49         | CS 13038 | 25 | CD 13038 | 30 | CT 13038 | 30 |
| 39 | 409,7          | 394,59         | CS 13039 | 25 | CD 13039 | 30 | CT 13039 | 30 |
| 40 | 419,8          | 404,66         | CS 13040 | 25 | CD 13040 | 30 | CT 13040 | 30 |
| 41 | 429,9          | 414,78         | CS 13041 | 30 |          |    |          |    |
| 42 | 440,0          | 424,88         | CS 13042 | 30 | CD 13042 | 30 | CT 13042 | 40 |
| 43 | 450,1          | 434,97         | CS 13043 | 30 |          |    |          |    |

| Z   | D <sub>e</sub> | D <sub>p</sub> | Simplex  |    | Duplex   |    | Triplex  |    |
|-----|----------------|----------------|----------|----|----------|----|----------|----|
|     |                |                | cod.     | D  | cod.     | D  | cod.     | D  |
| 44  | 460,2          | 445,07         | CS 13044 | 30 |          |    |          |    |
| 45  | 470,3          | 455,17         | CS 13045 | 30 | CD 13045 | 30 | CT 13045 | 40 |
| 46  | 480,4          | 465,26         | CS 13046 | 30 | CD 13046 | 30 | CT 13046 | 40 |
| 47  | 490,5          | 475,36         | CS 13047 | 30 |          |    |          |    |
| 48  | 500,6          | 485,46         | CS 13048 | 30 | CD 13048 | 30 | CT 13048 | 40 |
| 49  | 510,7          | 495,55         | CS 13049 | 30 |          |    |          |    |
| 50  | 520,8          | 505,65         | CS 13050 | 30 | CD 13050 | 30 | CT 13050 | 40 |
| 51  | 530,9          | 515,75         | CS 13051 | 30 |          |    |          |    |
| 52  | 541,0          | 525,84         | CS 13052 | 30 | CD 13052 | 30 | CT 13052 | 40 |
| 53  | 551,1          | 535,94         | CS 13053 | 30 |          |    |          |    |
| 54  | 561,2          | 546,07         | CS 13054 | 30 |          |    |          |    |
| 55  | 571,3          | 556,16         | CS 13055 | 30 | CD 13055 | 30 | CT 13055 | 40 |
| 56  | 581,4          | 566,26         | CS 13056 | 30 |          |    |          |    |
| 57  | 591,5          | 576,36         | CS 13057 | 30 | CD 13057 | 30 | CT 13057 | 40 |
| 58  | 601,6          | 586,45         | CS 13058 | 30 |          |    |          |    |
| 59  | 611,7          | 596,55         | CS 13059 | 30 |          |    |          |    |
| 60  | 621,8          | 606,65         | CS 13060 | 30 | CD 13060 | 30 | CT 13060 | 40 |
| 62  | 642,0          | 626,87         | CS 13062 | 30 |          |    |          |    |
| 64  | 662,2          | 647,06         | CS 13064 | 30 |          |    |          |    |
| 65  | 672,3          | 657,16         | CS 13065 | 30 | CD 13065 | 30 | CT 13065 | 40 |
| 66  | 682,4          | 667,26         | CS 13066 | 30 |          |    |          |    |
| 68  | 702,6          | 687,48         | CS 13068 | 30 |          |    |          |    |
| 70  | 722,8          | 707,67         | CS 13070 | 30 | CD 13070 | 30 | CT 13070 | 40 |
| 72  | 743,1          | 727,90         | CS 13072 | 30 |          |    |          |    |
| 75  | 773,3          | 758,19         | CS 13075 | 30 |          |    |          |    |
| 76  | 783,5          | 768,32         | CS 13076 | 30 | CD 13076 | 30 | CT 13076 | 40 |
| 80  | 823,9          | 808,72         | CS 13080 | 30 | CD 13080 | 30 | CT 13080 | 40 |
| 85  | 874,4          | 859,25         | CS 13085 | 30 |          |    |          |    |
| 90  | 924,9          | 909,76         | CS 13090 | 30 |          |    |          |    |
| 95  | 975,2          | 960,28         | CS 13095 | 30 | CD 13095 | 30 | CT 13095 | 40 |
| 100 | 1026,0         | 1010,79        | CS 13100 | 30 |          |    |          |    |
| 114 | 1167,4         | 1152,26        | CS 13114 | 30 | CD 13114 | 30 | CT 13114 | 40 |



# Corone / Plate wheels Kettenradscheiben / Disques / Discos

Corone per catene semplici, doppie e triple a rulli secondo: DIN 8187 - ISO/R 606

Corone tornite sui lati, dentate con creatore.

Plate wheels for simplex duplex and triplex chain to: DIN 8187 - ISO/R 606

Plate Wheels turned on both sides and toothed by milling cutter.

Kettenradscheiben für Simplex-Duplex-Triplex-Rollenkette nach: DIN 8187 - ISO/R 606

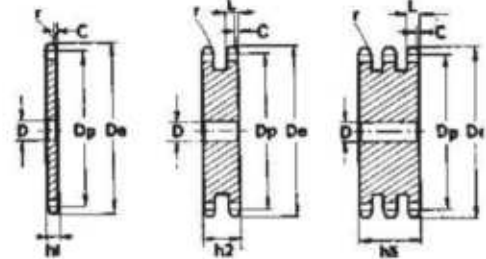
Seitlich plan gedrehte, wälzgefräste Zahnkränze.

Disques pour chaînes simples, doubles et triples à rouleaux suivant les normes: DIN 8187 - ISO/R 606

Disques tournés sur les flancs, dentés à la fraise.

Discos para cadena simple, doble y triple de rodillos según: DIN 8187 - ISO/R 606

Discos torneadas en los lados, dientes obtenidos con fresa madre.



1"1/2 x 1"

24B - 1-2-3 38,1 x 25,4 mm

| CATENA:           | CHAIN:         | KETTE:        | CHAÎNE:            | CADENA:       | ISO mm |
|-------------------|----------------|---------------|--------------------|---------------|--------|
| Passo             | Pitch          | Teilung       | Pas                | Paso          | 38,1   |
| Larghezza interna | Internal width | Innere Breite | Largeur interieure | Ancho interno | 25,4   |
| Rullo ø           | Roller ø       | Rollen ø      | ø du rouleau       | Rodillo ø     | 25,4   |

| CORONE                      | PLATE WHEELS               | KETTENRADSCHLEIBEN        | DISQUES                         | DISCOS                      | ISO mm               |
|-----------------------------|----------------------------|---------------------------|---------------------------------|-----------------------------|----------------------|
| Raggio dente r              | Tooth radius r             | Radius r                  | Rayon de denture r              | Radio diente r              | r 38,0               |
| Larghezza raggio C          | Radius width C             | Breite C                  | Largeur de rayon C              | Ancho radio C               | C 4,0                |
| Largh. dente h <sub>1</sub> | Tooth width h <sub>1</sub> | Zahnbreite h <sub>1</sub> | Larg. de denture h <sub>1</sub> | Ancho diente h <sub>1</sub> | h <sub>1</sub> 24,1  |
| Largh. dente L              | Tooth width L              | Zahnbreite L              | Larg. de denture L              | Ancho diente L              | L 23,6               |
| Largh. dente h <sub>2</sub> | Tooth width h <sub>2</sub> | Zahnbreite h <sub>2</sub> | Larg. de denture h <sub>2</sub> | Ancho diente h <sub>2</sub> | h <sub>2</sub> 72,0  |
| Largh. dente h <sub>3</sub> | Tooth width h <sub>3</sub> | Zahnbreite h <sub>3</sub> | Larg. de denture h <sub>3</sub> | Ancho diente h <sub>3</sub> | h <sub>3</sub> 120,3 |
| Altezza totale H            | Full height H              | Gesamt Höhe H             | Hauteur totale H                | Altura total H              | H -                  |

| Z  | D <sub>e</sub> | D <sub>p</sub> | Simplex  |    | Duplex   |    | Triplex  |    |
|----|----------------|----------------|----------|----|----------|----|----------|----|
|    |                |                | cod.     | D  | cod.     | D  | cod.     | D  |
| 8  | 115,0          | 99,55          | CS 14008 | 20 | CD 14008 | 25 | CT 14008 | 25 |
| 9  | 126,4          | 111,40         | CS 14009 | 20 | CD 14009 | 25 | CT 14009 | 25 |
| 10 | 138,0          | 123,29         | CS 14010 | 20 | CD 14010 | 25 | CT 14010 | 25 |
| 11 | 150,0          | 135,21         | CS 14011 | 20 | CD 14011 | 25 | CT 14011 | 25 |
| 12 | 162,0          | 147,22         | CS 14012 | 20 | CD 14012 | 25 | CT 14012 | 25 |
| 13 | 174,2          | 159,18         | CS 14013 | 20 | CD 14013 | 25 | CT 14013 | 25 |
| 14 | 186,2          | 171,22         | CS 14014 | 20 | CD 14014 | 25 | CT 14014 | 25 |
| 15 | 198,2          | 183,26         | CS 14015 | 20 | CD 14015 | 25 | CT 14015 | 25 |
| 16 | 210,3          | 195,30         | CS 14016 | 25 | CD 14016 | 25 | CT 14016 | 25 |
| 17 | 222,3          | 207,34         | CS 14017 | 25 | CD 14017 | 25 | CT 14017 | 25 |
| 18 | 234,3          | 219,42         | CS 14018 | 25 | CD 14018 | 25 | CT 14018 | 25 |
| 19 | 246,5          | 231,49         | CS 14019 | 25 | CD 14019 | 25 | CT 14019 | 25 |
| 20 | 258,6          | 243,57         | CS 14020 | 25 | CD 14020 | 25 | CT 14020 | 25 |
| 21 | 270,6          | 255,65         | CS 14021 | 25 | CD 14021 | 25 | CT 14021 | 30 |
| 22 | 282,7          | 267,73         | CS 14022 | 25 | CD 14022 | 25 | CT 14022 | 30 |
| 23 | 294,8          | 279,80         | CS 14023 | 25 | CD 14023 | 25 | CT 14023 | 30 |
| 24 | 306,8          | 291,88         | CS 14024 | 25 | CD 14024 | 25 | CT 14024 | 30 |
| 25 | 319,0          | 304,00         | CS 14025 | 25 | CD 14025 | 25 | CT 14025 | 30 |
| 26 | 331,0          | 316,08         | CS 14026 | 30 | CD 14026 | 30 | CT 14026 | 30 |
| 27 | 343,2          | 328,19         | CS 14027 | 30 | CD 14027 | 30 | CT 14027 | 30 |
| 28 | 355,2          | 340,27         | CS 14028 | 30 | CD 14028 | 30 | CT 14028 | 30 |
| 29 | 367,3          | 352,38         | CS 14029 | 30 | CD 14029 | 30 | CT 14029 | 30 |
| 30 | 379,5          | 364,50         | CS 14030 | 30 | CD 14030 | 30 | CT 14030 | 40 |
| 31 | 391,6          | 376,62         | CS 14031 | 30 | CD 14031 | 40 | CT 14031 | 40 |
| 32 | 403,7          | 388,69         | CS 14032 | 30 | CD 14032 | 40 | CT 14032 | 40 |
| 33 | 415,8          | 400,81         | CS 14033 | 30 | CD 14033 | 40 | CT 14033 | 40 |
| 34 | 427,8          | 412,93         | CS 14034 | 30 | CD 14034 | 40 | CT 14034 | 40 |
| 35 | 440,0          | 425,04         | CS 14035 | 30 | CD 14035 | 40 | CT 14035 | 40 |
| 36 | 452,0          | 437,16         | CS 14036 | 30 | CD 14036 | 40 | CT 14036 | 40 |
| 37 | 464,2          | 449,27         | CS 14037 | 30 | CD 14037 | 40 | CT 14037 | 40 |
| 38 | 476,2          | 461,39         | CS 14038 | 30 | CD 14038 | 40 | CT 14038 | 40 |
| 39 | 488,5          | 473,50         | CS 14039 | 30 | CD 14039 | 40 | CT 14039 | 40 |
| 40 | 500,6          | 485,62         | CS 14040 | 30 | CD 14040 | 40 | CT 14040 | 40 |

| Z  | D <sub>e</sub> | D <sub>p</sub> | Simplex  |    | Duplex   |    | Triplex  |    |
|----|----------------|----------------|----------|----|----------|----|----------|----|
|    |                |                | cod.     | D  | cod.     | D  | cod.     | D  |
| 41 | 512,6          | 497,74         | CS 14041 | 30 |          |    |          |    |
| 42 | 524,7          | 509,85         | CS 14042 | 30 | CD 14042 | 40 | CT 14042 | 40 |
| 43 | 536,8          | 521,97         | CS 14043 | 30 |          |    |          |    |
| 44 | 549,0          | 534,08         | CS 14044 | 30 |          |    |          |    |
| 45 | 561,2          | 546,20         | CS 14045 | 30 | CD 14045 | 40 | CT 14045 | 40 |
| 46 | 573,3          | 558,32         | CS 14046 | 30 | CD 14046 | 40 | CT 14046 | 40 |
| 47 | 585,4          | 570,43         | CS 14047 | 30 |          |    |          |    |
| 48 | 597,4          | 582,55         | CS 14048 | 30 | CD 14048 | 40 | CT 14048 | 40 |
| 49 | 609,5          | 594,66         | CS 14049 | 30 |          |    |          |    |
| 50 | 621,7          | 606,78         | CS 14050 | 30 | CD 14050 | 40 | CT 14050 | 40 |
| 51 | 633,8          | 618,89         | CS 14051 | 30 |          |    |          |    |
| 52 | 646,0          | 631,01         | CS 14052 | 30 |          |    |          |    |
| 53 | 658,0          | 643,13         | CS 14053 | 30 |          |    |          |    |
| 54 | 670,2          | 655,25         | CS 14054 | 30 |          |    |          |    |
| 55 | 682,3          | 667,40         | CS 14055 | 30 | CD 14055 | 40 | CT 14055 | 40 |
| 56 | 694,4          | 679,50         | CS 14056 | 30 |          |    |          |    |
| 57 | 706,5          | 691,73         | CS 14057 | 30 | CD 14057 | 40 | CT 14057 | 40 |
| 58 | 718,6          | 703,74         | CS 14058 | 30 |          |    |          |    |
| 59 | 730,7          | 715,86         | CS 14059 | 30 |          |    |          |    |
| 60 | 742,8          | 727,97         | CS 14060 | 30 | CD 14060 | 40 | CT 14060 | 40 |
| 62 | 767,2          | 752,24         | CS 14062 | 40 |          |    |          |    |
| 64 | 791,3          | 776,48         | CS 14064 | 40 |          |    |          |    |
| 65 | 803,4          | 788,59         | CS 14065 | 40 | CD 14065 | 40 | CT 14065 | 40 |
| 66 | 815,6          | 800,17         | CS 14066 | 40 |          |    |          |    |
| 68 | 839,8          | 824,98         | CS 14068 | 40 |          |    |          |    |
| 70 | 864,2          | 849,21         | CS 14070 | 40 |          |    |          |    |
| 72 | 888,4          | 873,48         | CS 14072 | 40 |          |    |          |    |
| 75 | 924,8          | 909,83         | CS 14075 | 40 |          |    |          |    |
| 76 | 936,9          | 921,98         | CS 14076 | 40 | CD 14076 | 40 | CT 14076 | 40 |
| 80 | 985,4          | 970,44         | CS 14080 | 40 |          |    |          |    |
| 85 | 1046,0         | 1031,10        | CS 14085 | 40 |          |    |          |    |
| 95 | 1167,3         | 1152,33        | CS 14095 | 40 |          |    |          |    |

# Corone / Plate wheels

## Kettenradscheiben / Disques / Discos

Corone per catene semplici, doppie e triple a rulli secondo: DIN 8187 - ISO/R 606

Corone tornite sui lati, dentate con creatore.

Plate wheels for simplex duplex and triplex chain to: DIN 8187 - ISO/R 606

Plate Wheels turned on both sides and toothed by milling cutter.

Kettenradscheiben für Simplex-Duplex-Triplex-Rollenkette nach: DIN 8187 - ISO/R 606

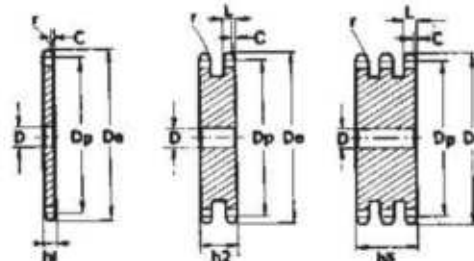
Seitlich plan gedrehte, wälzgefräste Zahnkränze.

Disques pour chaînes simples, doubles et triples à rouleaux suivant les normes: DIN 8187 - ISO/R 606

Disques tournés sur les flancs, dentés à la fraise.

Discos para cadena simple, doble y triple de rodillos según: DIN 8187 - ISO/R 606

Discos torneadas en los lados, dientes obtenidos con fresa madre.



1"3/4 x 1"1/4

28B - 1-2-3 44,45 x 30,99 mm

| CATENA:           | CHAIN:         | KETTE:        | CHAÎNE:            | CADENA:       | ISO mm |
|-------------------|----------------|---------------|--------------------|---------------|--------|
| Passo             | Pitch          | Teilung       | Pas                | Paso          | 44,45  |
| Larghezza interna | Internal width | Innere Breite | Largeur interieure | Ancho interno | 30,99  |
| Rullo ø           | Roller ø       | Rollen ø      | ø du rouleau       | Rodillo ø     | 27,94  |

| CORONE                      | PLATE WHEELS               | KETTENRADSCHIEBEN         | DISQUES                         | DISCOS                      | ISO mm               |
|-----------------------------|----------------------------|---------------------------|---------------------------------|-----------------------------|----------------------|
| Raggio dente r              | Tooth radius r             | Radius r                  | Rayon de denture r              | Radio diente r              | r 44,0               |
| Larghezza raggio C          | Radius width C             | Breite C                  | Largeur de rayon C              | Ancho radio C               | C 5,0                |
| Largh. dente h <sub>1</sub> | Tooth width h <sub>1</sub> | Zahnbreite h <sub>1</sub> | Larg. de denture h <sub>1</sub> | Ancho diente h <sub>1</sub> | h <sub>1</sub> 29,4  |
| Largh. dente L              | Tooth width L              | Zahnbreite L              | Larg. de denture L              | Ancho diente L              | L 28,8               |
| Largh. dente h <sub>2</sub> | Tooth width h <sub>2</sub> | Zahnbreite h <sub>2</sub> | Larg. de denture h <sub>2</sub> | Ancho diente h <sub>2</sub> | h <sub>2</sub> 88,4  |
| Largh. dente h <sub>3</sub> | Tooth width h <sub>3</sub> | Zahnbreite h <sub>3</sub> | Larg. de denture h <sub>3</sub> | Ancho diente h <sub>3</sub> | h <sub>3</sub> 148,0 |
| Altezza totale H            | Full height H              | Gesamt Höhe H             | Hauteur totale H                | Altura total H              | H -                  |

| Z  | D <sub>e</sub> | D <sub>p</sub> | Simplex  |    | Duplex   |    | Triplex  |    |
|----|----------------|----------------|----------|----|----------|----|----------|----|
|    |                |                | cod.     | D  | cod.     | D  | cod.     | D  |
| 8  | 132,0          | 116,15         | CS 15008 | 25 | CD 15008 | 25 | CT 15008 | 25 |
| 9  | 148,4          | 129,96         | CS 15009 | 25 | CD 15009 | 25 | CT 15009 | 25 |
| 10 | 162,3          | 143,85         | CS 15010 | 25 | CD 15010 | 25 | CT 15010 | 25 |
| 11 | 176,3          | 157,77         | CS 15011 | 25 | CD 15011 | 25 | CT 15011 | 30 |
| 12 | 189,3          | 171,74         | CS 15012 | 25 | CD 15012 | 25 | CT 15012 | 30 |
| 13 | 204,2          | 185,75         | CS 15013 | 25 | CD 15013 | 25 | CT 15013 | 30 |
| 14 | 218,2          | 199,76         | CS 15014 | 25 | CD 15014 | 25 | CT 15014 | 30 |
| 15 | 232,3          | 213,79         | CS 15015 | 25 | CD 15015 | 25 | CT 15015 | 30 |
| 16 | 246,3          | 227,84         | CS 15016 | 30 | CD 15016 | 30 | CT 15016 | 30 |
| 17 | 260,0          | 241,90         | CS 15017 | 30 | CD 15017 | 30 | CT 15017 | 30 |
| 18 | 274,0          | 255,98         | CS 15018 | 30 | CD 15018 | 30 | CT 15018 | 30 |
| 19 | 289,0          | 270,06         | CS 15019 | 30 | CD 15019 | 30 | CT 15019 | 30 |
| 20 | 303,0          | 284,15         | CS 15020 | 30 | CD 15020 | 30 | CT 15020 | 30 |
| 21 | 317,0          | 298,24         | CS 15021 | 30 | CD 15021 | 30 | CT 15021 | 30 |
| 22 | 331,0          | 312,34         | CS 15022 | 30 | CD 15022 | 30 | CT 15022 | 30 |
| 23 | 345,0          | 326,44         | CS 15023 | 30 | CD 15023 | 30 | CT 15023 | 30 |
| 24 | 359,0          | 340,55         | CS 15024 | 30 | CD 15024 | 30 | CT 15024 | 30 |
| 25 | 373,0          | 354,66         | CS 15025 | 30 | CD 15025 | 30 | CT 15025 | 40 |
| 26 | 387,0          | 368,77         | CS 15026 | 30 | CD 15026 | 30 | CT 15026 | 40 |
| 27 | 401,0          | 382,88         | CS 15027 | 30 | CD 15027 | 30 | CT 15027 | 40 |
| 28 | 416,0          | 397,00         | CS 15028 | 30 | CD 15028 | 30 | CT 15028 | 40 |
| 29 | 430,0          | 411,12         | CS 15029 | 30 | CD 15029 | 30 | CT 15029 | 40 |
| 30 | 444,0          | 425,24         | CS 15030 | 30 | CD 15030 | 30 | CT 15030 | 40 |
| 31 | 458,0          | 439,37         | CS 15031 | 30 | CD 15031 | 30 | CT 15031 | 40 |
| 32 | 472,0          | 453,49         | CS 15032 | 30 | CD 15032 | 30 | CT 15032 | 40 |
| 33 | 486,0          | 467,62         | CS 15033 | 30 | CD 15033 | 30 | CT 15033 | 40 |
| 34 | 500,0          | 481,75         | CS 15034 | 30 | CD 15034 | 30 | CT 15034 | 40 |
| 35 | 514,0          | 495,88         | CS 15035 | 30 | CD 15035 | 30 | CT 15035 | 40 |
| 36 | 529,0          | 510,01         | CS 15036 | 30 | CD 15036 | 30 | CT 15036 | 40 |
| 37 | 543,0          | 524,13         | CS 15037 | 30 | CD 15037 | 30 | CT 15037 | 40 |
| 38 | 557,0          | 538,27         | CS 15038 | 30 | CD 15038 | 30 | CT 15038 | 40 |
| 39 | 571,0          | 552,40         | CS 15039 | 30 | CD 15039 | 30 | CT 15039 | 40 |
| 40 | 585,0          | 566,54         | CS 15040 | 30 | CD 15040 | 30 | CT 15040 | 40 |
| 45 | 656,0          | 637,22         | CS 15045 | 30 | CD 15045 | 30 | CT 15045 | 40 |
| 50 | 726,0          | 707,91         | CS 15050 | 30 | CD 15050 | 30 | CT 15050 | 40 |
| 57 | 825,0          | 806,90         | CS 15057 | 40 | CD 15057 | 40 | CT 15057 | 40 |
| 60 | 869,0          | 849,32         | CS 15060 | 40 | CD 15060 | 40 | CT 15060 | 40 |
| 76 | 1095,0         | 1075,62        | CS 15076 | 40 | CD 15076 | 40 | CT 15076 | 40 |



## Corone / Plate wheels Kettenradscheiben / Disques / Discos

Corone per catene semplici, doppie e triple a rulli secondo: DIN 8187 - ISO/R 606

**Corone tornite sui lati, dentate con creatore.**

Plate wheels for simplex duplex and triplex chain to: DIN 8187 - ISO/R 606

**Plate Wheels turned on both sides and toothed by milling cutter.**

Kettenradscheiben für Simplex-Duplex-Triplex-Rollenkette nach: DIN 8187 - ISO/R 606

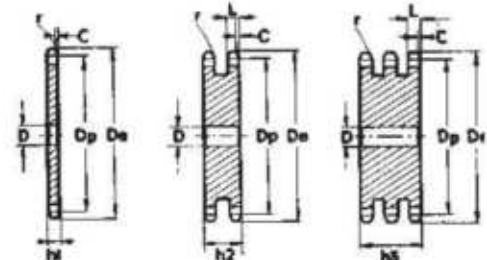
**Seitlich plan gedrehte, wälzgefräste Zahnkränze.**

Disques pour chaînes simples, doubles et triples à rouleaux suivant les normes: DIN 8187 - ISO/R 606

**Disques tournés sur les flancs, dentés à la fraise.**

Discos para cadena simple, doble y triple de rodillos según: DIN 8187 - ISO/R 606

**Discos torneadas en los lados, dientes obtenidos con fresa madre.**



**2" x 1 1/4**

**32B - 1-2-3 50,8 x 30,99 mm**

| CATENA:           | CHAIN:         | KETTE:        | CHAÎNE:            | CADENA:       | ISO mm |
|-------------------|----------------|---------------|--------------------|---------------|--------|
| Passo             | Pitch          | Teilung       | Pas                | Paso          | 50,8   |
| Larghezza interna | Internal width | Innere Breite | Largeur interieure | Ancho interno | 30,99  |
| Rullo ø           | Roller ø       | Rollen ø      | ø du rouleau       | Rodillo ø     | 29,21  |

| CORONE                      | PLATE WHEELS               | KETTENRADSCHLEIBEN        | DISQUES                         | DISCOS                      | ISO mm              |
|-----------------------------|----------------------------|---------------------------|---------------------------------|-----------------------------|---------------------|
| Raggio dente r              | Tooth radius r             | Radius r                  | Rayon de denture r              | Radio diente r              | r 51                |
| Larghezza raggio C          | Radius width C             | Breite C                  | Largeur de rayon C              | Ancho radio C               | C 6                 |
| Largh. dente h <sub>1</sub> | Tooth width h <sub>1</sub> | Zahnbreite h <sub>1</sub> | Larg. de denture h <sub>1</sub> | Ancho diente h <sub>1</sub> | h <sub>1</sub> 29,4 |
| Largh. dente L              | Tooth width L              | Zahnbreite L              | Larg. de denture L              | Ancho diente L              | L 28,8              |
| Largh. dente h <sub>2</sub> | Tooth width h <sub>2</sub> | Zahnbreite h <sub>2</sub> | Larg. de denture h <sub>2</sub> | Ancho diente h <sub>2</sub> | h <sub>2</sub> 87,4 |
| Largh. dente h <sub>3</sub> | Tooth width h <sub>3</sub> | Zahnbreite h <sub>3</sub> | Larg. de denture h <sub>3</sub> | Ancho diente h <sub>3</sub> | h <sub>3</sub> 146  |
| Altezza totale H            | Full height H              | Gesamt Höhe H             | Hauteur totale H                | Altura total H              | H -                 |

| Z  | D <sub>e</sub> | D <sub>p</sub> | Simplex  |    | Duplex   |    | Triplex  |    |
|----|----------------|----------------|----------|----|----------|----|----------|----|
|    |                |                | cod.     | D  | cod.     | D  | cod.     | D  |
| 8  | 153,2          | 132,74         | CS 16008 | 25 | CD 16008 | 25 | CT 16008 | 25 |
| 9  | 169,0          | 148,54         | CS 16009 | 25 | CD 16009 | 25 | CT 16009 | 25 |
| 10 | 185,0          | 164,39         | CS 16010 | 25 | CD 16010 | 25 | CT 16010 | 25 |
| 11 | 200,8          | 180,31         | CS 16011 | 30 | CD 16011 | 30 | CT 16011 | 30 |
| 12 | 216,8          | 196,29         | CS 16012 | 30 | CD 16012 | 30 | CT 16012 | 30 |
| 13 | 232,8          | 212,29         | CS 16013 | 30 | CD 16013 | 30 | CT 16013 | 30 |
| 14 | 248,8          | 228,29         | CS 16014 | 30 | CD 16014 | 30 | CT 16014 | 30 |
| 15 | 264,8          | 244,30         | CS 16015 | 30 | CD 16015 | 30 | CT 16015 | 30 |
| 16 | 280,9          | 260,40         | CS 16016 | 30 | CD 16016 | 30 | CT 16016 | 30 |
| 17 | 296,9          | 276,46         | CS 16017 | 30 | CD 16017 | 30 | CT 16017 | 30 |
| 18 | 313,0          | 292,55         | CS 16018 | 30 | CD 16018 | 30 | CT 16018 | 30 |
| 19 | 329,1          | 308,66         | CS 16019 | 30 | CD 16019 | 30 | CT 16019 | 30 |
| 20 | 345,2          | 324,71         | CS 16020 | 30 | CD 16020 | 30 | CT 16020 | 30 |
| 21 | 361,3          | 340,82         | CS 16021 | 30 | CD 16021 | 30 | CT 16021 | 40 |
| 22 | 377,5          | 356,98         | CS 16022 | 30 | CD 16022 | 30 | CT 16022 | 40 |
| 23 | 393,6          | 373,08         | CS 16023 | 30 | CD 16023 | 30 | CT 16023 | 40 |
| 24 | 409,7          | 389,18         | CS 16024 | 30 | CD 16024 | 30 | CT 16024 | 40 |
| 25 | 425,8          | 405,33         | CS 16025 | 30 | CD 16025 | 30 | CT 16025 | 40 |
| 26 | 441,9          | 421,44         | CS 16026 | 30 | CD 16026 | 30 | CT 16026 | 40 |
| 27 | 458,1          | 437,59         | CS 16027 | 30 | CD 16027 | 30 | CT 16027 | 40 |
| 28 | 474,2          | 453,69         | CS 16028 | 30 | CD 16028 | 30 | CT 16028 | 40 |
| 29 | 492,0          | 469,85         | CS 16029 | 30 | CD 16029 | 30 | CT 16029 | 40 |
| 30 | 506,5          | 486,00         | CS 16030 | 30 | CD 16030 | 30 | CT 16030 | 40 |
| 32 | 538,8          | 518,27         | CS 16032 | 30 |          |    |          |    |
| 35 | 589,5          | 566,71         | CS 16035 | 30 | CD 16035 | 30 | CT 16035 | 40 |
| 38 | 635,5          | 615,16         | CS 16038 | 30 | CD 16038 | 30 | CT 16038 | 40 |
| 40 | 670,3          | 647,47         | CS 16040 | 40 | CD 16040 | 40 | CT 16040 | 40 |
| 45 | 751,0          | 728,24         | CS 16045 | 40 | CD 16045 | 40 | CT 16045 | 40 |
| 50 | 831,8          | 809,04         | CS 16050 | 40 | CD 16050 | 40 | CT 16050 | 40 |
| 57 | 945,0          | 922,16         | CS 16057 | 40 | CD 16057 | 40 | CT 16057 | 40 |
| 60 | 993,4          | 970,65         | CS 16060 | 40 | CD 16060 | 40 | CT 16060 | 40 |
| 76 | 1252,0         | 1229,27        | CS 16076 | 40 | CD 16076 | 40 | CT 16076 | 40 |

**Corone doppie per due catene semplici**  
**Duplex plate wheels for two single chains**  
**Zweifach-Scheiben für zwei Einfach-Ketten**  
**Disques doubles pour deux chaînes simples**  
**Discos dobles para dos cadenas simples**

I valori Di-Dp-De-C-L-r sono da ricavare dalle pagg. 52, 57, 58, 59, 60

See page no. 52, 57, 58, 59, 60 for Di-Dp-De-C-L-r dimensions

Siehe Seite Nr. 52, 57, 58, 59, 60 fuer Di-Dp-De-C-L-r Abmessungen

Voir page no. 52, 57, 58, 59, 60 pour les dimensions Di-Dp-De-C-L-r

Valor Di-Dp-De-C-L-r se deben obtener de las paginas 52, 57, 58, 59, 60

**Materiale C45E**  
**UNI EN 10083-1**

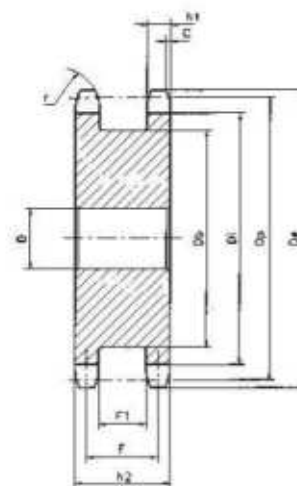
**Material C45E**  
**UNI EN 10083-1**

**Werkstoff C45E**  
**UNI EN 10083-1**

**Matière C45E**  
**UNI EN 10083-1**

**Material C45E**  
**UNI EN 10083-1**

| cod.     | Z  | 3/8" x 7/32" - 06B R.6,35 |    |                |    |    |
|----------|----|---------------------------|----|----------------|----|----|
|          |    | h <sub>2</sub>            | F  | F <sub>1</sub> | Db | D  |
| DS 05013 | 13 | 24,3                      | 19 | 13,7           | 28 | 10 |
| DS 05014 | 14 | 24,3                      | 19 | 13,7           | 31 | 10 |
| DS 05015 | 15 | 24,3                      | 19 | 13,7           | 34 | 10 |
| DS 05017 | 17 | 24,3                      | 19 | 13,7           | 40 | 10 |
| DS 05018 | 18 | 24,3                      | 19 | 13,7           | 43 | 10 |
| DS 05019 | 19 | 24,3                      | 19 | 13,7           | 46 | 10 |
| DS 05020 | 20 | 24,3                      | 19 | 13,7           | 49 | 10 |
| DS 05021 | 21 | 24,3                      | 19 | 13,7           | 52 | 12 |
| DS 05023 | 23 | 24,3                      | 19 | 13,7           | 59 | 12 |
| DS 05025 | 25 | 24,3                      | 19 | 13,7           | 65 | 12 |



| cod.     | Z  | 1/2" x 5/16" - 08B R. 8,51 |      |                |    |    |
|----------|----|----------------------------|------|----------------|----|----|
|          |    | h <sub>2</sub>             | F    | F <sub>1</sub> | Db | D  |
| DS 09012 | 12 | 31                         | 23,8 | 16,6           | 33 | 10 |
| DS 09013 | 13 | 31                         | 23,8 | 16,6           | 37 | 10 |
| DS 09014 | 14 | 31                         | 23,8 | 16,6           | 42 | 10 |
| DS 09015 | 15 | 31                         | 23,8 | 16,6           | 45 | 10 |
| DS 09016 | 16 | 31                         | 23,8 | 16,6           | 49 | 10 |
| DS 09017 | 17 | 31                         | 23,8 | 16,6           | 53 | 12 |
| DS 09018 | 18 | 31                         | 23,8 | 16,6           | 57 | 12 |
| DS 09019 | 19 | 31                         | 23,8 | 16,6           | 62 | 12 |
| DS 09020 | 20 | 31                         | 23,8 | 16,6           | 66 | 12 |
| DS 09021 | 21 | 31                         | 23,8 | 16,6           | 70 | 14 |
| DS 09023 | 23 | 31                         | 23,8 | 16,6           | 78 | 14 |
| DS 09024 | 24 | 31                         | 23,8 | 16,6           | 82 | 14 |
| DS 09025 | 25 | 31                         | 23,8 | 16,6           | 86 | 14 |

| cod.     | Z  | 5/8" x 3/8" - 10B R. 10,16 |      |                |     |    |
|----------|----|----------------------------|------|----------------|-----|----|
|          |    | h <sub>2</sub>             | F    | F <sub>1</sub> | Db  | D  |
| DS 10012 | 12 | 36,5                       | 27,3 | 18,1           | 45  | 12 |
| DS 10013 | 13 | 36,5                       | 27,3 | 18,1           | 50  | 12 |
| DS 10014 | 14 | 36,5                       | 27,3 | 18,1           | 55  | 12 |
| DS 10015 | 15 | 36,5                       | 27,3 | 18,1           | 60  | 12 |
| DS 10016 | 16 | 36,5                       | 27,3 | 18,1           | 65  | 14 |
| DS 10017 | 17 | 36,5                       | 27,3 | 18,1           | 70  | 14 |
| DS 10018 | 18 | 36,5                       | 27,3 | 18,1           | 75  | 14 |
| DS 10019 | 19 | 36,5                       | 27,3 | 18,1           | 80  | 14 |
| DS 10020 | 20 | 36,5                       | 27,3 | 18,1           | 85  | 14 |
| DS 10021 | 21 | 36,5                       | 27,3 | 18,1           | 90  | 16 |
| DS 10022 | 22 | 36,5                       | 27,3 | 18,1           | 95  | 16 |
| DS 10023 | 23 | 36,5                       | 27,3 | 18,1           | 100 | 16 |
| DS 10025 | 25 | 36,5                       | 27,3 | 18,1           | 110 | 16 |

| cod.     | Z  | 3/4" x 7/16" - 12B R. 12,07 |      |                |     |    |
|----------|----|-----------------------------|------|----------------|-----|----|
|          |    | h <sub>2</sub>              | F    | F <sub>1</sub> | Db  | D  |
| DS 11012 | 12 | 45                          | 33,9 | 22,8           | 53  | 14 |
| DS 11013 | 13 | 45                          | 33,9 | 22,8           | 59  | 14 |
| DS 11014 | 14 | 45                          | 33,9 | 22,8           | 65  | 14 |
| DS 11015 | 15 | 45                          | 33,9 | 22,8           | 71  | 14 |
| DS 11016 | 16 | 45                          | 33,9 | 22,8           | 77  | 14 |
| DS 11017 | 17 | 45                          | 33,9 | 22,8           | 83  | 16 |
| DS 11018 | 18 | 45                          | 33,9 | 22,8           | 89  | 16 |
| DS 11019 | 19 | 45                          | 33,9 | 22,8           | 95  | 16 |
| DS 11020 | 20 | 45                          | 33,9 | 22,8           | 101 | 16 |
| DS 11021 | 21 | 45                          | 33,9 | 22,8           | 107 | 20 |
| DS 11023 | 23 | 45                          | 33,9 | 22,8           | 119 | 20 |
| DS 11025 | 25 | 45                          | 33,9 | 22,8           | 131 | 20 |

| cod.     | Z  | 1" x 17,2 - 16B R. 15,88 |      |                |     |    |
|----------|----|--------------------------|------|----------------|-----|----|
|          |    | h <sub>2</sub>           | F    | F <sub>1</sub> | Db  | D  |
| DS 12013 | 13 | 63,5                     | 47,3 | 31,1           | 81  | 16 |
| DS 12014 | 14 | 63,5                     | 47,3 | 31,1           | 89  | 16 |
| DS 12015 | 15 | 63,5                     | 47,3 | 31,1           | 97  | 16 |
| DS 12016 | 16 | 63,5                     | 47,3 | 31,1           | 105 | 20 |
| DS 12017 | 17 | 63,5                     | 47,3 | 31,1           | 113 | 20 |
| DS 12018 | 18 | 63,5                     | 47,3 | 31,1           | 121 | 20 |
| DS 12019 | 19 | 63,5                     | 47,3 | 31,1           | 129 | 20 |
| DS 12020 | 20 | 63,5                     | 47,3 | 31,1           | 137 | 20 |
| DS 12021 | 21 | 63,5                     | 47,3 | 31,1           | 145 | 20 |
| DS 12023 | 23 | 63,5                     | 47,3 | 31,1           | 161 | 20 |
| DS 12025 | 25 | 63,5                     | 47,3 | 31,1           | 177 | 20 |



# Corone doppie per due catene semplici per bussola conica Duplex taper bored plate wheels for two single chains Zweifach-Scheiben für Spannbuchse für zwei Einfach-Ketten Disques doubles à moyeu amovible pour deux chaînes simples Discos dobles taper para dos cadenas simples

I valori Dp-De-C-h1-r sono da ricavare dalle pagg. 52, 57, 58, 59, 60

See page no. 52, 57, 58, 59, 60 for Dp-De-C-h1-r dimensions

Siehe Seite Nr. 52, 57, 58, 59, 60 für Abmessung Dp-De-C-h1-r

Voir page no. 52, 57, 58, 59, 60 pour les dimensions Dp-De-C-h1-r

Valor Dp-De-C-h1-r se deben obtener de las paginas 52, 57, 58, 59, 60

**Materiale C45E**  
**UNI EN 10083-1**

**Material C45E**  
**UNI EN 10083-1**

**Werkstoff C45E**  
**UNI EN 10083-1**

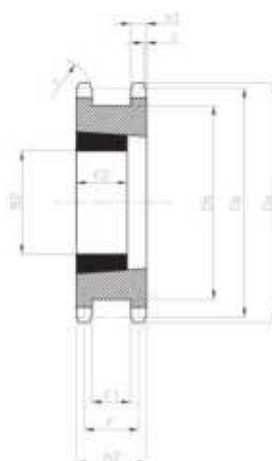
**Matière C45E**  
**UNI EN 10083-1**

**Material C45E**  
**UNI EN 10083-1**

| cod.    | Z  | 3/8"x7/32" - 06B R.6,35 |      |                |    | per Bussola *<br>for Bush *<br>für Buchse *<br>pour Moyeux * amovibles *<br>para Casquillos cónicos * | F <sub>2</sub> | B <sub>2</sub><br>(max.) | Peso<br>Weight<br>Gewicht<br>Poids<br>Peso |
|---------|----|-------------------------|------|----------------|----|---|----------------|--------------------------|--|
|         |    | h <sub>2</sub>          | F    | F <sub>1</sub> | Db |   |                |                          |  |
| DT05018 | 18 | 23,5                    | 18,2 | 12,9           | 43 | 1008  | 22,2           | 25                       | 0,19                                       |
| DT05019 | 19 | 23,5                    | 18,2 | 12,9           | 46 | 1008  | 22,2           | 25                       | 0,23                                       |
| DT05020 | 20 | 23,5                    | 18,2 | 12,9           | 48 | 1108  | 22,2           | 28                       | 0,25                                       |
| DT05021 | 21 | 23,5                    | 18,2 | 12,9           | 52 | 1108  | 22,2           | 28                       | 0,31                                       |
| DT05022 | 23 | 23,5                    | 18,2 | 12,9           | 58 | 1108  | 22,2           | 28                       | 0,41                                       |
| DT05023 | 25 | 23,5                    | 18,2 | 12,9           | 64 | 1108  | 22,2           | 28                       | 0,53                                       |

| cod.    | Z  | 1/2"x5/16" - 08B R.8,51 |      |                |    | per Bussola *<br>for Bush *<br>für Buchse *<br>pour Moyeux * amovibles *<br>para Casquillos cónicos * | F <sub>2</sub> | B <sub>2</sub><br>(max.) | Peso<br>Weight<br>Gewicht<br>Poids<br>Peso |
|---------|----|-------------------------|------|----------------|----|---|----------------|--------------------------|--|
|         |    | h <sub>2</sub>          | F    | F <sub>1</sub> | Db |   |                |                          |  |
| DT09015 | 15 | 31                      | 23,8 | 16,6           | 45 | 1008  | 22,2           | 25                       | 0,36                                       |
| DT09016 | 16 | 31                      | 23,8 | 16,6           | 49 | 1108  | 22,2           | 28                       | 0,43                                       |
| DT09017 | 17 | 31                      | 23,8 | 16,6           | 53 | 1108  | 22,2           | 28                       | 0,39                                       |
| DT09018 | 18 | 31                      | 23,8 | 16,6           | 58 | 1210  | 25,4           | 32                       | 0,48                                       |
| DT09019 | 19 | 31                      | 23,8 | 16,6           | 62 | 1210  | 25,4           | 32                       | 0,58                                       |
| DT09020 | 20 | 31                      | 23,8 | 16,6           | 66 | 1210  | 25,4           | 32                       | 0,65                                       |
| DT09021 | 21 | 31                      | 23,8 | 16,6           | 70 | 1610  | 25,4           | 42                       | 0,63                                       |
| DT09023 | 23 | 31                      | 23,8 | 16,6           | 78 | 1610  | 25,4           | 42                       | 0,87                                       |
| DT09025 | 25 | 31                      | 23,8 | 16,6           | 86 | 2012  | 31,8           | 50                       | 0,87                                       |

| cod.    | Z  | 3/4"x7/16" - 12B R.12,7 |      |                |     | per Bussola *<br>for Bush *<br>für Buchse *<br>pour Moyeux * amovibles *<br>para Casquillos cónicos * | F <sub>2</sub> | B <sub>2</sub><br>(max.) | Peso<br>Weight<br>Gewicht<br>Poids<br>Peso |
|---------|----|-------------------------|------|----------------|-----|---|----------------|--------------------------|--|
|         |    | h <sub>2</sub>          | F    | F <sub>1</sub> | Db  |   |                |                          |  |
| DT11013 | 13 | 45                      | 33,9 | 22,8           | 59  | 1210  | 25,4           | 32                       | 0,94                                       |
| DT11014 | 14 | 45                      | 33,9 | 22,8           | 65  | 1210  | 25,4           | 32                       | 1,16                                       |
| DT11015 | 15 | 45                      | 33,9 | 22,8           | 71  | 1610  | 25,4           | 42                       | 1,18                                       |
| DT11016 | 16 | 45                      | 33,9 | 22,8           | 77  | 1610  | 25,4           | 42                       | 1,49                                       |
| DT11017 | 17 | 45                      | 33,9 | 22,8           | 83  | 1610  | 25,4           | 42                       | 1,73                                       |
| DT11018 | 18 | 45                      | 33,9 | 22,8           | 89  | 2012  | 31,8           | 50                       | 1,62                                       |
| DT11019 | 19 | 45                      | 33,9 | 22,8           | 95  | 2012  | 31,8           | 50                       | 1,95                                       |
| DT11020 | 20 | 45                      | 33,9 | 22,8           | 101 | 2517  | 44,5           | 65                       | 1,70                                       |
| DT11021 | 21 | 45                      | 33,9 | 22,8           | 107 | 2517  | 44,5           | 65                       | 2,05                                       |
| DT11023 | 23 | 45                      | 33,9 | 22,8           | 119 | 2517  | 44,5           | 65                       | 2,85                                       |
| DT11025 | 25 | 45                      | 33,9 | 22,8           | 131 | 2517  | 44,5           | 65                       | 3,75                                       |



\* Bussola conica esclusa  
Taper bush not included  
ohne Taper Spannbuchse  
Moyeu amovible non inclus  
Casquillo cónico no incluido

| cod.    | Z  | 5/8"x3/8" - 10B R.10,16 |      |                |     | per Bussola *<br>for Bush *<br>für Buchse *<br>pour Moyeux * amovibles *<br>para Casquillos cónicos * | F <sub>2</sub> | B <sub>2</sub><br>(max.) | Peso<br>Weight<br>Gewicht<br>Poids<br>Peso |
|---------|----|-------------------------|------|----------------|-----|---|----------------|--------------------------|--|
|         |    | h <sub>2</sub>          | F    | F <sub>1</sub> | Db  |   |                |                          |  |
| DT10012 | 12 | 36,5                    | 27,3 | 18,1           | 45  | 1108  | 22,2           | 28                       | 0,42                                       |
| DT10013 | 13 | 36,5                    | 27,3 | 18,1           | 50  | 1108  | 22,2           | 28                       | 0,53                                       |
| DT10014 | 14 | 36,5                    | 27,3 | 18,1           | 55  | 1108  | 22,2           | 28                       | 0,67                                       |
| DT10015 | 15 | 36,5                    | 27,3 | 18,1           | 60  | 1210  | 25,4           | 32                       | 0,64                                       |
| DT10016 | 16 | 36,5                    | 27,3 | 18,1           | 65  | 1210  | 25,4           | 32                       | 0,81                                       |
| DT10017 | 17 | 36,5                    | 27,3 | 18,1           | 70  | 1610  | 25,4           | 42                       | 0,80                                       |
| DT10018 | 18 | 36,5                    | 27,3 | 18,1           | 75  | 1610  | 25,4           | 42                       | 0,98                                       |
| DT10019 | 19 | 36,5                    | 27,3 | 18,1           | 80  | 1610  | 25,4           | 42                       | 1,17                                       |
| DT10020 | 20 | 36,5                    | 27,3 | 18,1           | 85  | 1610  | 25,4           | 42                       | 1,36                                       |
| DT10021 | 21 | 36,5                    | 27,3 | 18,1           | 90  | 2012  | 31,8           | 50                       | 1,24                                       |
| DT10023 | 23 | 36,5                    | 27,3 | 18,1           | 100 | 2012  | 31,8           | 50                       | 1,69                                       |
| DT10025 | 25 | 36,5                    | 27,3 | 18,1           | 110 | 2012  | 31,8           | 50                       | 2,20                                       |

| cod.    | Z  | 1"x 17,02 - 16B R.25,4 |      |                |     | per Bussola *<br>for Bush *<br>für Buchse *<br>pour Moyeux * amovibles *<br>para Casquillos cónicos * | F <sub>2</sub> | B <sub>2</sub><br>(max.) | Peso<br>Weight<br>Gewicht<br>Poids<br>Peso |
|---------|----|------------------------|------|----------------|-----|---|----------------|--------------------------|--|
|         |    | h <sub>2</sub>         | F    | F <sub>1</sub> | Db  |   |                |                          |  |
| DT12012 | 12 | 63,5                   | 47,3 | 31,1           | 72  | 1615  | 38,1           | 42                       | 1,90                                       |
| DT12013 | 13 | 63,5                   | 47,3 | 31,1           | 81  | 1615  | 38,1           | 42                       | 2,50                                       |
| DT12014 | 14 | 63,5                   | 47,3 | 31,1           | 88  | 2012  | 31,8           | 50                       | 2,50                                       |
| DT12015 | 15 | 63,5                   | 47,3 | 31,1           | 97  | 2012  | 31,8           | 50                       | 3,10                                       |
| DT12016 | 16 | 63,5                   | 47,3 | 31,1           | 104 | 2012  | 31,8           | 50                       | 3,75                                       |
| DT12017 | 17 | 63,5                   | 47,3 | 31,1           | 113 | 2517  | 44,5           | 65                       | 3,90                                       |
| DT12018 | 18 | 63,5                   | 47,3 | 31,1           | 121 | 2517  | 44,5           | 65                       | 4,70                                       |
| DT12019 | 19 | 63,5                   | 47,3 | 31,1           | 129 | 2517  | 44,5           | 65                       | 5,50                                       |
| DT12020 | 20 | 63,5                   | 47,3 | 31,1           | 137 | 3020  | 50,8           | 75                       | 5,15                                       |
| DT12021 | 21 | 63,5                   | 47,3 | 31,1           | 145 | 3020  | 50,8           | 75                       | 6,05                                       |
| DT12023 | 23 | 63,5                   | 47,3 | 31,1           | 161 | 3525  | 63,5           | 90                       | 7,20                                       |
| DT12025 | 25 | 63,5                   | 47,3 | 31,1           | 177 | 3525  | 63,5           | 90                       | 9,40                                       |



A richiesta possiamo eseguire dentature e passi nei profili ASA non indicati nel presente Catalogo in base a consuntivo.

Auf Anfrage sind weitere Zähnezahlen oder Teilungen für ASA - Rollenketten lieferbar.

On request, we can carry out toothing pitch on "ASA" profiles, not indicated in this catalogue, according to estimates.

Possibilité d'exécuter sur demande des dentures et des pas dans les profils "ASA" non indiqués dans le catalogue, sur devis.

Previa solicitud y en base a presupuesto podemos fabricar dentados y pasos con perfiles "ASA" no señalados en el presente catálogo.

## **PIGNONI E CORONE ASA**

Sprockets and plate wheels ASA

Kettenräder ASA

Pignons et disques ASA

Piñones y discos ASA



## Pignoni / Sprockets Kettenräder mit Nabe / Pignons / Piñones

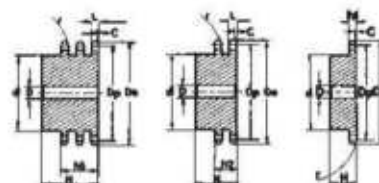
Pignoni per catene semplici, doppie e triple a rulli secondo: DIN 8188 - ISO/R 606 - ANSI B 29,1

Sprockets for simplex, duplex and triplex chain to: DIN 8188 - ISO/R 606 - ANSI B 29,1

Kettenräder mit einseitiger Nabe für Simplex-Duplex-Triplex-Rollenkette nach: DIN 8188 - ISO/R 606 - ANSI B 29,1

Pignons avec moyeu déporté pour chaînes simples, doubles et triples à rouleaux suivant les normes: DIN 8188 - ISO/R 606 - ANSI B 29,1

Piñones para cadena simple, doble y triple de rodillos según las normas: DIN 8188 - ISO/R 606 - ANSI B 29,1



**3/8" x 3/16"**

**ASA 35 - 1-2-3 9,525 x 4,77 mm**

| CATENA            | CHAIN          | KETTE         | CHAÎNE             | CADENA        | ASA 35 |
|-------------------|----------------|---------------|--------------------|---------------|--------|
| Passo             | Pitch          | Teilung       | Pas                | Paso          | 9,525  |
| Larghezza interna | Internal width | Innere Breite | Largeur interieure | Ancho interno | 4,770  |
| Rullo ø           | Roller ø       | Rollen ø      | ø du rouleau       | Rodillo ø     | 5,080  |

| PIGNONE                     | SPROCKETS                  | KETTENRÄDER               | PIGNONS                         | PIÑONES                     | ASA 35              |
|-----------------------------|----------------------------|---------------------------|---------------------------------|-----------------------------|---------------------|
| Raggio dente r              | Tooth radius r             | Radius r                  | Rayon de denture r              | Radio diente r              | r 10,0              |
| Larghezza raggio C          | Radius width C             | Breite C                  | Largeur de rayon C              | Ancho radio C               | C 1,2               |
| Largh. dente h <sub>1</sub> | Tooth width h <sub>1</sub> | Zahnbreite h <sub>1</sub> | Larg. de denture h <sub>1</sub> | Ancho diente h <sub>1</sub> | h <sub>1</sub> 4,4  |
| Largh. dente L              | Tooth width L              | Zahnbreite L              | Larg. de denture L              | Ancho diente L              | L 4,3               |
| Largh. dente h <sub>2</sub> | Tooth width h <sub>2</sub> | Zahnbreite h <sub>2</sub> | Larg. de denture h <sub>2</sub> | Ancho diente h <sub>2</sub> | h <sub>2</sub> 14,4 |
| Largh. dente h <sub>3</sub> | Tooth width h <sub>3</sub> | Zahnbreite h <sub>3</sub> | Larg. de denture h <sub>3</sub> | Ancho diente h <sub>3</sub> | h <sub>3</sub> 24,5 |
| Altezza totale H            | Full height H              | Gesamt Höhe H             | Hauteur totale H                | Altura total H              | H -                 |

Materiale C45E  
UNI EN 10083-1

Material C45E  
UNI EN 10083-1

Werkstoff C45E  
UNI EN 10083-1

Matière C45E  
UNI EN 10083-1

Material C45E  
UNI EN 10083-1

| Z  | D <sub>e</sub> | D <sub>f</sub> | Simplex  |    |    |    | Duplex   |    |    |    |
|----|----------------|----------------|----------|----|----|----|----------|----|----|----|
|    |                |                | cod.     | d  | D  | H  | cod.     | d  | D  | H  |
| 10 | 35,70          | 30,82          | PS 05A10 | 20 | 8  | 22 |          |    |    |    |
| 11 | 38,69          | 33,80          | PS 05A11 | 22 | 8  | 25 |          |    |    |    |
| 12 | 41,68          | 36,80          | PS 05A12 | 25 | 8  | 25 |          |    |    |    |
| 13 | 44,68          | 39,80          | PS 05A13 | 28 | 10 | 25 | PD 05A13 | 28 | 10 | 25 |
| 14 | 47,68          | 42,80          | PS 05A14 | 31 | 10 | 25 | PD 05A14 | 31 | 10 | 25 |
| 15 | 50,69          | 45,81          | PS 05A15 | 34 | 10 | 25 | PD 05A15 | 34 | 10 | 25 |
| 16 | 53,70          | 48,82          | PS 05A16 | 38 | 10 | 28 | PD 05A16 | 37 | 12 | 30 |
| 17 | 56,72          | 51,83          | PS 05A17 | 38 | 10 | 28 | PD 05A17 | 40 | 12 | 30 |
| 18 | 59,73          | 54,85          | PS 05A18 | 38 | 10 | 28 | PD 05A18 | 43 | 12 | 30 |
| 19 | 62,75          | 57,87          | PS 05A19 | 46 | 10 | 28 | PD 05A19 | 46 | 12 | 30 |
| 20 | 65,77          | 60,89          | PS 05A20 | 46 | 10 | 28 | PD 05A20 | 49 | 12 | 30 |
| 21 | 68,79          | 63,91          | PS 05A21 | 46 | 10 | 28 | PD 05A21 | 52 | 16 | 30 |
| 22 | 71,81          | 66,93          | PS 05A22 | 52 | 12 | 28 | PD 05A22 | 55 | 16 | 30 |
| 23 | 74,83          | 69,95          | PS 05A23 | 52 | 12 | 28 | PD 05A23 | 58 | 16 | 30 |
| 24 | 77,85          | 72,97          | PS 05A24 | 52 | 12 | 28 | PD 05A24 | 61 | 16 | 30 |
| 25 | 80,88          | 76,00          | PS 05A25 | 58 | 12 | 28 | PD 05A25 | 64 | 16 | 30 |
| 26 | 83,90          | 79,02          | PS 05A26 | 58 | 12 | 28 | PD 05A26 | 67 | 16 | 30 |
| 27 | 86,93          | 82,04          | PS 05A27 | 58 | 12 | 28 | PD 05A27 | 70 | 16 | 30 |
| 28 | 89,95          | 85,07          | PS 05A28 | 60 | 12 | 28 | PD 05A28 | 73 | 16 | 30 |
| 30 | 96,00          | 91,12          | PS 05A30 | 60 | 12 | 28 |          |    |    |    |







# Pignoni / Sprockets

## Kettenräder mit Nabe / Pignons / Piñones

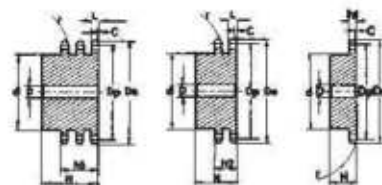
Pignoni per catene semplici, doppie e triple a rulli secondo: DIN 8188 - ISO/R 606 - ANSI B 29,1

Sprockets for simplex, duplex and triplex chain to: DIN 8188 - ISO/R 606 - ANSI B 29,1

Kettenräder mit einseitiger Nabe für Simplex-Duplex-Triplex-Rollenkette nach: DIN 8188 - ISO/R 606 - ANSI B 29,1

Pignons avec moyeu déporté pour chaînes simples, doubles, et triples à rouleaux suivant les normes: DIN 8188 - ISO/R 606 - ANSI B 29,1

Piñones para cadena simple, doble y triple de rodillos según las normas: DIN 8188 - ISO/R 606 - ANSI B 29,1



3/4" x 1/2"

ASA 60 - 1-2-3 19,05 x 12,7 mm

| CATENA            | CHAIN          | KETTE         | CHAÎNE             | CADENA        | ASA 60 |
|-------------------|----------------|---------------|--------------------|---------------|--------|
| Passo             | Pitch          | Teilung       | Pas                | Paso          | 19,05  |
| Larghezza interna | Internal width | Innere Breite | Largeur interieure | Ancho interno | 12,70  |
| Rullo ø           | Roller ø       | Rollen ø      | ø du rouleau       | Rodillo ø     | 11,91  |

| PIGNONE                     | SPROCKETS                  | KETTENRÄDER               | PIGNONS                         | PIÑONES                     | ASA 60              |
|-----------------------------|----------------------------|---------------------------|---------------------------------|-----------------------------|---------------------|
| Raggio dente r              | Tooth radius r             | Radius r                  | Rayon de denture r              | Radio diente r              | r 20,0              |
| Larghezza raggio C          | Radius width C             | Breite C                  | Largeur de rayon C              | Ancho radio C               | C 2,4               |
| Largh. dente h <sub>1</sub> | Tooth width h <sub>1</sub> | Zahnbreite h <sub>1</sub> | Larg. de denture h <sub>1</sub> | Ancho diente h <sub>1</sub> | h <sub>1</sub> 12,0 |
| Largh. dente L              | Tooth width L              | Zahnbreite L              | Larg. de denture L              | Ancho diente L              | L 11,8              |
| Largh. dente h <sub>2</sub> | Tooth width h <sub>2</sub> | Zahnbreite h <sub>2</sub> | Larg. de denture h <sub>2</sub> | Ancho diente h <sub>2</sub> | h <sub>2</sub> 34,6 |
| Largh. dente h <sub>3</sub> | Tooth width h <sub>3</sub> | Zahnbreite h <sub>3</sub> | Larg. de denture h <sub>3</sub> | Ancho diente h <sub>3</sub> | h <sub>3</sub> 57,4 |
| Altezza totale H            | Full height H              | Gesamt Höhe H             | Hauteur totale H                | Altura total H              | H -                 |

| Materiale C45E<br>UNI EN 10083-1 |                |                | Material C45E<br>UNI EN 10083-1 |    |    |    | Werkstoff C45E<br>UNI EN 10083-1 |     |    |    | Matière C45E<br>UNI EN 10083-1 |     |    |    | Material C45E<br>UNI EN 10083-1 |  |  |  |
|----------------------------------|----------------|----------------|---------------------------------|----|----|----|----------------------------------|-----|----|----|--------------------------------|-----|----|----|---------------------------------|--|--|--|
| Z                                | D <sub>s</sub> | D <sub>p</sub> | Simplex                         |    |    |    | Duplex                           |     |    |    | Triplex                        |     |    |    |                                 |  |  |  |
|                                  |                |                | cod.                            | d  | D  | H  | cod.                             | d   | D  | H  | cod.                           | d   | D  | H  |                                 |  |  |  |
| 10                               | 71,54          | 61,64          | PS 11A10                        | 42 | 12 | 30 | PD 11A10                         | 42  | 12 | 45 |                                |     |    |    |                                 |  |  |  |
| 11                               | 77,51          | 67,61          | PS 11A11                        | 45 | 12 | 30 | PD 11A11                         | 47  | 16 | 50 |                                |     |    |    |                                 |  |  |  |
| 12                               | 83,49          | 73,61          | PS 11A12                        | 45 | 12 | 30 | PD 11A12                         | 53  | 16 | 50 | PT 11A12                       | 53  | 20 | 70 |                                 |  |  |  |
| 13                               | 89,49          | 79,59          | PS 11A13                        | 60 | 14 | 35 | PD 11A13                         | 59  | 16 | 50 | PT 11A13                       | 59  | 20 | 70 |                                 |  |  |  |
| 14                               | 95,50          | 85,61          | PS 11A14                        | 60 | 14 | 35 | PD 11A14                         | 65  | 16 | 50 | PT 11A14                       | 65  | 20 | 70 |                                 |  |  |  |
| 15                               | 101,52         | 91,63          | PS 11A15                        | 60 | 14 | 35 | PD 11A15                         | 71  | 16 | 50 | PT 11A15                       | 71  | 20 | 70 |                                 |  |  |  |
| 16                               | 107,54         | 97,65          | PS 11A16                        | 75 | 16 | 35 | PD 11A16                         | 77  | 20 | 50 | PT 11A16                       | 77  | 20 | 70 |                                 |  |  |  |
| 17                               | 113,56         | 103,67         | PS 11A17                        | 75 | 16 | 35 | PD 11A17                         | 83  | 20 | 50 | PT 11A17                       | 83  | 20 | 70 |                                 |  |  |  |
| 18                               | 119,59         | 109,71         | PS 11A18                        | 75 | 16 | 35 | PD 11A18                         | 89  | 20 | 50 | PT 11A18                       | 89  | 20 | 70 |                                 |  |  |  |
| 19                               | 125,63         | 115,75         | PS 11A19                        | 80 | 16 | 35 | PD 11A19                         | 95  | 20 | 50 | PT 11A19                       | 95  | 20 | 70 |                                 |  |  |  |
| 20                               | 131,67         | 121,78         | PS 11A20                        | 80 | 16 | 35 | PD 11A20                         | 100 | 20 | 50 | PT 11A20                       | 100 | 20 | 70 |                                 |  |  |  |
| 21                               | 137,71         | 127,82         | PS 11A21                        | 80 | 16 | 35 | PD 11A21                         | 100 | 20 | 50 | PT 11A21                       | 100 | 20 | 70 |                                 |  |  |  |
| 22                               | 143,75         | 133,86         | PS 11A22                        | 90 | 20 | 40 | PD 11A22                         | 100 | 20 | 50 | PT 11A22                       | 100 | 20 | 70 |                                 |  |  |  |
| 23                               | 149,79         | 139,90         | PS 11A23                        | 90 | 20 | 40 | PD 11A23                         | 110 | 20 | 50 | PT 11A23                       | 110 | 20 | 70 |                                 |  |  |  |
| 24                               | 155,84         | 145,94         | PS 11A24                        | 90 | 20 | 40 | PD 11A24                         | 110 | 20 | 50 | PT 11A24                       | 110 | 20 | 70 |                                 |  |  |  |
| 25                               | 161,88         | 152,00         | PS 11A25                        | 90 | 20 | 40 | PD 11A25                         | 120 | 20 | 50 | PT 11A25                       | 120 | 20 | 70 |                                 |  |  |  |
| 26                               | 167,93         | 158,04         | PS 11A26                        | 90 | 20 | 40 | PD 11A26                         | 120 | 20 | 50 |                                |     |    |    |                                 |  |  |  |
| 27                               | 173,98         | 164,09         | PS 11A27                        | 90 | 20 | 40 | PD 11A27                         | 120 | 20 | 50 |                                |     |    |    |                                 |  |  |  |
| 28                               | 180,03         | 170,13         | PS 11A28                        | 95 | 20 | 40 | PD 11A28                         | 120 | 20 | 50 |                                |     |    |    |                                 |  |  |  |
| 30                               | 192,14         | 182,25         | PS 11A30                        | 95 | 20 | 40 | PD 11A30                         | 120 | 20 | 50 |                                |     |    |    |                                 |  |  |  |





# Pignoni / Sprockets

## Kettenräder mit Nabe / Pignons / Piñones

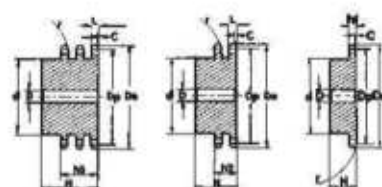
Pignoni per catene semplici, doppie e triple a rulli secondo: DIN 8188 - ISO/R 606 - ANSI B 29,1

Sprockets for simplex, duplex and triplex chain to: DIN 8188 - ISO/R 606 - ANSI B 29,1

Kettenräder mit einseitiger Nabe für Simplex-Duplex-Triplex-Rollenkette nach: DIN 8188 - ISO/R 606 - ANSI B 29,1

Pignons avec moyeu déporté pour chaînes simples, doubles, et triples à rouleaux suivant les normes: DIN 8188 - ISO/R 606 - ANSI B 29,1

Piñones para cadena simple, doble y triple de rodillos según las normas: DIN 8188 - ISO/R 606 - ANSI B 29,1



1"1/4 x 3/4"

ASA 100 - 1-2-3 31,75 x 19,05 mm

| CATENA            | CHAIN          | KETTE         | CHAÎNE             | CADENA         | ASA 100 |
|-------------------|----------------|---------------|--------------------|----------------|---------|
| Passo             | Pitch          | Teilung       | Pas                | Paso           | 31,75   |
| Larghezza interna | Internal width | Innere Breite | Largeur interieure | Ancho interno  | 19,05   |
| Rullo $\phi$      | Roller $\phi$  | Rollen $\phi$ | $\phi$ du rouleau  | Rodillo $\phi$ | 19,05   |

| PIGNONE            | SPROCKETS         | KETTENRÄDER      | PIGNONS                | PIÑONES            | ASA 100    |
|--------------------|-------------------|------------------|------------------------|--------------------|------------|
| Raggio dente r     | Tooth radius r    | Radius r         | Rayon de denture r     | Radio diente r     | r 33,5     |
| Larghezza raggio C | Radius width C    | Breite C         | Largeur de rayon C     | Ancho radio C      | C 4,0      |
| Largh. dente $h_1$ | Tooth width $h_1$ | Zahnbreite $h_1$ | Larg. de denture $h_1$ | Ancho diente $h_1$ | $h_1$ 18,0 |
| Largh. dente L     | Tooth width L     | Zahnbreite L     | Larg. de denture L     | Ancho diente L     | L 17,7     |
| Largh. dente $h_2$ | Tooth width $h_2$ | Zahnbreite $h_2$ | Larg. de denture $h_2$ | Ancho diente $h_2$ | $h_2$ 53,5 |
| Largh. dente $h_3$ | Tooth width $h_3$ | Zahnbreite $h_3$ | Larg. de denture $h_3$ | Ancho diente $h_3$ | $h_3$ 89,2 |
| Altezza totale H   | Full height H     | Gesamt Höhe H    | Hauteur totale H       | Altura total H     | H -        |

Materiale C45E  
UNI EN 10083-1

Material C45E  
UNI EN 10083-1

Werkstoff C45E  
UNI EN 10083-1

Matière C45E  
UNI EN 10083-1

Material C45E  
UNI EN 10083-1

| Z  | $D_e$ | $D_f$  | Simplex  |     |    |    | Duplex   |     |    |    |
|----|-------|--------|----------|-----|----|----|----------|-----|----|----|
|    |       |        | cod.     | d   | D  | H  | cod.     | d   | D  | H  |
| 8  | 98,1  | 82,96  | PS 13A08 | 53  | 20 | 40 |          |     |    |    |
| 9  | 108,0 | 92,84  | PS 13A09 | 63  | 20 | 40 |          |     |    |    |
| 10 | 117,9 | 102,74 | PS 13A10 | 70  | 20 | 40 |          |     |    |    |
| 11 | 127,8 | 112,68 | PS 13A11 | 77  | 20 | 45 |          |     |    |    |
| 12 | 137,8 | 122,68 | PS 13A12 | 88  | 20 | 45 | PD 13A12 | 90  | 20 | 80 |
| 13 | 147,8 | 132,65 | PS 13A13 | 98  | 20 | 45 | PD 13A13 | 100 | 20 | 80 |
| 14 | 157,8 | 142,68 | PS 13A14 | 108 | 20 | 45 | PD 13A14 | 110 | 20 | 80 |
| 15 | 167,9 | 152,72 | PS 13A15 | 118 | 20 | 45 | PD 13A15 | 120 | 20 | 80 |
| 16 | 177,9 | 162,75 | PS 13A16 | 120 | 25 | 50 | PD 13A16 | 120 | 25 | 80 |
| 17 | 187,9 | 172,78 | PS 13A17 | 120 | 25 | 50 | PD 13A17 | 120 | 25 | 80 |
| 18 | 198,0 | 182,85 | PS 13A18 | 120 | 25 | 50 |          |     |    |    |
| 19 | 208,1 | 192,91 | PS 13A19 | 120 | 25 | 50 |          |     |    |    |
| 20 | 218,1 | 202,98 | PS 13A20 | 120 | 25 | 50 |          |     |    |    |
| 21 | 228,2 | 213,04 | PS 13A21 | 140 | 25 | 55 |          |     |    |    |
| 22 | 238,3 | 223,11 | PS 13A22 | 140 | 25 | 55 |          |     |    |    |
| 23 | 248,3 | 233,17 | PS 13A23 | 140 | 25 | 55 |          |     |    |    |
| 24 | 258,4 | 243,23 | PS 13A24 | 140 | 25 | 55 |          |     |    |    |
| 25 | 268,5 | 253,33 | PS 13A25 | 140 | 25 | 55 |          |     |    |    |



## Pignoni / Sprockets Kettenräder mit Nabe / Pignons / Piñones

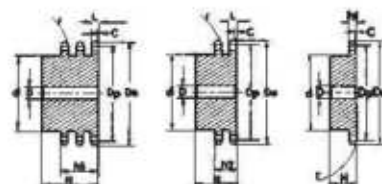
Pignoni per catene semplici, doppie e triple a rulli secondo: DIN 8188 - ISO/R 606 - ANSI B 29,1

Sprockets for simplex, duplex and triplex chain to: DIN 8188 - ISO/R 606 - ANSI B 29,1

Kettenräder mit einseitiger Nabe für Simplex-Duplex-Triplex-Rollenkette nach: DIN 8188 - ISO/R 606 - ANSI B 29,1

Pignons avec moyeu déporté pour chaînes simples, doubles, et triples à rouleaux suivant les normes: DIN 8188 - ISO/R 606 - ANSI B 29,1

Piñones para cadena simple, doble y triple de rodillos según las normas: DIN 8188 - ISO/R 606 - ANSI B 29,1



### 1"1/2 x 1"

### ASA 120 - 1-2-3 38,1 x 25,4 mm

| CATENA                      | CHAIN                      | KETTE                     | CHAÎNE                          | CADENA                      | ASA 120              |
|-----------------------------|----------------------------|---------------------------|---------------------------------|-----------------------------|----------------------|
| Passo                       | Pitch                      | Teilung                   | Pas                             | Paso                        | 38,10                |
| Larghezza interna           | Internal width             | Innere Breite             | Largeur interieure              | Ancho interno               | 25,40                |
| Rullo ø                     | Roller ø                   | Rollen ø                  | ø du rouleau                    | Rodillo ø                   | 22,22                |
| PIGNONE                     | SPROCKETS                  | KETTENRÄDER               | PIGNONS                         | PIÑONES                     | ASA 120              |
| Raggio dente r              | Tooth radius r             | Radius r                  | Rayon de denture r              | Radio diente r              | r 40,5               |
| Larghezza raggio C          | Radius width C             | Breite C                  | Largeur de rayon C              | Ancho radio C               | C 4,8                |
| Largh. dente h <sub>1</sub> | Tooth width h <sub>1</sub> | Zahnbreite h <sub>1</sub> | Larg. de denture h <sub>1</sub> | Ancho diente h <sub>1</sub> | h <sub>1</sub> 24,1  |
| Largh. dente L              | Tooth width L              | Zahnbreite L              | Larg. de denture L              | Ancho diente L              | L 23,6               |
| Largh. dente h <sub>2</sub> | Tooth width h <sub>2</sub> | Zahnbreite h <sub>2</sub> | Larg. de denture h <sub>2</sub> | Ancho diente h <sub>2</sub> | h <sub>2</sub> 69,0  |
| Largh. dente h <sub>3</sub> | Tooth width h <sub>3</sub> | Zahnbreite h <sub>3</sub> | Larg. de denture h <sub>3</sub> | Ancho diente h <sub>3</sub> | h <sub>3</sub> 114,5 |
| Altezza totale H            | Full height H              | Gesamt Höhe H             | Hauteur totale H                | Altura total H              | H -                  |

Materiale C45E  
UNI EN 10083-1

Material C45E  
UNI EN 10083-1

Werkstoff C45E  
UNI EN 10083-1

Matière C45E  
UNI EN 10083-1

Material C45E  
UNI EN 10083-1

| Z  | D <sub>e</sub> | D <sub>p</sub> | Simplex  |     |    |    | Duplex   |     |    |     |
|----|----------------|----------------|----------|-----|----|----|----------|-----|----|-----|
|    |                |                | cod.     | d   | D  | H  | cod.     | d   | D  | H   |
| 8  | 119,04         | 99,55          | PS 14A08 | 58  | 20 | 45 |          |     |    |     |
| 9  | 130,88         | 111,40         | PS 14A09 | 70  | 20 | 45 |          |     |    |     |
| 10 | 142,77         | 123,29         | PS 14A10 | 80  | 20 | 45 |          |     |    |     |
| 11 | 154,71         | 135,21         | PS 14A11 | 90  | 25 | 50 |          |     |    |     |
| 12 | 166,69         | 147,22         | PS 14A12 | 102 | 25 | 50 | PD 14A12 | 102 | 25 | 100 |
| 13 | 178,68         | 159,18         | PS 14A13 | 114 | 25 | 50 | PD 14A13 | 114 | 25 | 100 |
| 14 | 190,70         | 171,22         | PS 14A14 | 128 | 25 | 50 | PD 14A14 | 128 | 25 | 100 |
| 15 | 202,73         | 183,26         | PS 14A15 | 140 | 25 | 50 | PD 14A15 | 140 | 25 | 100 |

### 1"3/4 x 1"1/4

### ASA 140 - 1-2-3 44,45 x 25,4 mm

| CATENA                      | CHAIN                      | KETTE                     | CHAÎNE                          | CADENA                      | ASA 140              |
|-----------------------------|----------------------------|---------------------------|---------------------------------|-----------------------------|----------------------|
| Passo                       | Pitch                      | Teilung                   | Pas                             | Paso                        | 44,45                |
| Larghezza interna           | Internal width             | Innere Breite             | Largeur interieure              | Ancho interno               | 25,40                |
| Rullo ø                     | Roller ø                   | Rollen ø                  | ø du rouleau                    | Rodillo ø                   | 25,40                |
| PIGNONE                     | SPROCKETS                  | KETTENRÄDER               | PIGNONS                         | PIÑONES                     | ASA 140              |
| Raggio dente r              | Tooth radius r             | Radius r                  | Rayon de denture r              | Radio diente r              | r 47,5               |
| Larghezza raggio C          | Radius width C             | Breite C                  | Largeur de rayon C              | Ancho radio C               | C 5,8                |
| Largh. dente h <sub>1</sub> | Tooth width h <sub>1</sub> | Zahnbreite h <sub>1</sub> | Larg. de denture h <sub>1</sub> | Ancho diente h <sub>1</sub> | h <sub>1</sub> 24,1  |
| Largh. dente L              | Tooth width L              | Zahnbreite L              | Larg. de denture L              | Ancho diente L              | L 23,6               |
| Largh. dente h <sub>2</sub> | Tooth width h <sub>2</sub> | Zahnbreite h <sub>2</sub> | Larg. de denture h <sub>2</sub> | Ancho diente h <sub>2</sub> | h <sub>2</sub> 72,5  |
| Largh. dente h <sub>3</sub> | Tooth width h <sub>3</sub> | Zahnbreite h <sub>3</sub> | Larg. de denture h <sub>3</sub> | Ancho diente h <sub>3</sub> | h <sub>3</sub> 121,3 |
| Altezza totale H            | Full height H              | Gesamt Höhe H             | Hauteur totale H                | Altura total H              | H -                  |

### 2" x 1"1/4

### ASA 160 - 1-2-3 50,8 x 31,75 mm

| CATENA                      | CHAIN                      | KETTE                     | CHAÎNE                          | CADENA                      | ASA 160              |
|-----------------------------|----------------------------|---------------------------|---------------------------------|-----------------------------|----------------------|
| Passo                       | Pitch                      | Teilung                   | Pas                             | Paso                        | 50,80                |
| Larghezza interna           | Internal width             | Innere Breite             | Largeur interieure              | Ancho interno               | 31,75                |
| Rullo ø                     | Roller ø                   | Rollen ø                  | ø du rouleau                    | Rodillo ø                   | 28,58                |
| PIGNONE                     | SPROCKETS                  | KETTENRÄDER               | PIGNONS                         | PIÑONES                     | ASA 160              |
| Raggio dente r              | Tooth radius r             | Radius r                  | Rayon de denture r              | Radio diente r              | r 54,0               |
| Larghezza raggio C          | Radius width C             | Breite C                  | Largeur de rayon C              | Ancho radio C               | C 7,0                |
| Largh. dente h <sub>1</sub> | Tooth width h <sub>1</sub> | Zahnbreite h <sub>1</sub> | Larg. de denture h <sub>1</sub> | Ancho diente h <sub>1</sub> | h <sub>1</sub> 30,1  |
| Largh. dente L              | Tooth width L              | Zahnbreite L              | Larg. de denture L              | Ancho diente L              | L 29,5               |
| Largh. dente h <sub>2</sub> | Tooth width h <sub>2</sub> | Zahnbreite h <sub>2</sub> | Larg. de denture h <sub>2</sub> | Ancho diente h <sub>2</sub> | h <sub>2</sub> 88,0  |
| Largh. dente h <sub>3</sub> | Tooth width h <sub>3</sub> | Zahnbreite h <sub>3</sub> | Larg. de denture h <sub>3</sub> | Ancho diente h <sub>3</sub> | h <sub>3</sub> 146,6 |
| Altezza totale H            | Full height H              | Gesamt Höhe H             | Hauteur totale H                | Altura total H              | H -                  |

## Corone / Plate wheels Kettenradscheiben / Disques / Discos

Corone per catene semplici, doppie e triple a rulli secondo: DIN 8188 - ISO/R 606 - ANSI B 29,1  
Corone tornite sui lati, dentate con creatore.

Plate wheels for simplex, duplex and triplex chain to: DIN 8188 - ISO/R 606 - ANSI B 29,1  
Plate Wheels turned on both sides and toothed by milling cutter.

Kettenradscheiben mit einseitiger Nabe für Simplex- Duplex- Triplex-Rollenkette nach: DIN 8188 - ISO/R 606 - ANSI B 29,1  
Seitlich plan gedrehte, wälzgefräste Zahnkränze.

Disques avec moyeu déporté pour chaînes simples, doubles et triples à rouleaux suivant les normes: DIN 8188 - ISO/R 606 - ANSI B 29,1  
Disques tournés sur les flancs, dentés à la fraise.

Discos para cadena simple, doble y triple de rodillos segun: DIN 8188 - ISO/R 606 - ANSI B 29,1  
Discos torneadas en los lados, dientes obtenidos con fresa madre.



### 3/8" x 3/16"

### ASA 35 - 1-2-3 9,525 x 4,77 mm

| CATENA:           | CHAIN:         | KETTE:        | CHAÎNE:            | CADENA:       | ASA 35 |
|-------------------|----------------|---------------|--------------------|---------------|--------|
| Passo             | Pitch          | Teilung       | Pas                | Paso          | 9,525  |
| Larghezza interna | Internal width | Innere Breite | Largeur interieure | Ancho interno | 4,770  |
| Rullo ø           | Roller ø       | Rollen ø      | ø du rouleau       | Rodillo ø     | 5,080  |

| CORONE                      | PLATE WHEELS               | KETTENRADSCHIEBEN         | DISQUES                         | DISCOS                      | ASA 35              |
|-----------------------------|----------------------------|---------------------------|---------------------------------|-----------------------------|---------------------|
| Raggio dente r              | Tooth radius r             | Radius r                  | Rayon de denture r              | Radio diente r              | r 10,0              |
| Larghezza raggio C          | Radius width C             | Breite C                  | Largeur de rayon C              | Ancho radio C               | C 1,2               |
| Largh. dente h <sub>1</sub> | Tooth width h <sub>1</sub> | Zahnbreite h <sub>1</sub> | Larg. de denture h <sub>1</sub> | Ancho diente h <sub>1</sub> | h <sub>1</sub> 4,4  |
| Largh. dente L              | Tooth width L              | Zahnbreite L              | Larg. de denture L              | Ancho diente L              | L 4,3               |
| Largh. dente h <sub>2</sub> | Tooth width h <sub>2</sub> | Zahnbreite h <sub>2</sub> | Larg. de denture h <sub>2</sub> | Ancho diente h <sub>2</sub> | h <sub>2</sub> 14,4 |
| Largh. dente h <sub>3</sub> | Tooth width h <sub>3</sub> | Zahnbreite h <sub>3</sub> | Larg. de denture h <sub>3</sub> | Ancho diente h <sub>3</sub> | h <sub>3</sub> 24,5 |
| Altezza totale H            | Full height H              | Gesamt Höhe H             | Hauteur totale H                | Altura total H              | H -                 |

| Z  | D <sub>e</sub> | D <sub>p</sub> | Simplex  |    | Duplex   |    |
|----|----------------|----------------|----------|----|----------|----|
|    |                |                | cod.     | d  | cod.     | d  |
| 30 | 96,00          | 91,12          |          |    | CD 05A30 | 12 |
| 32 | 102,06         | 97,17          | CS 05A32 | 12 |          |    |
| 36 | 114,17         | 109,29         | CS 05A36 | 12 |          |    |
| 38 | 120,22         | 115,34         | CS 05A38 | 12 | CD 05A38 | 14 |
| 40 | 126,28         | 121,40         | CS 05A40 | 12 |          |    |
| 45 | 141,43         | 136,55         | CS 05A45 | 16 | CD 05A45 | 16 |
| 48 | 150,52         | 145,64         | CS 05A48 | 16 |          |    |
| 57 | 177,79         | 172,91         | CS 05A57 | 16 | CD 05A57 | 16 |
| 76 | 235,37         | 230,49         | CS 05A76 | 20 | CD 05A76 | 20 |

### 1/2" x 5/16"

### ASA 40 - 1-2-3 12,7 x 7,94 mm

| CATENA:           | CHAIN:         | KETTE:        | CHAÎNE:            | CADENA:       | ASA 40 |
|-------------------|----------------|---------------|--------------------|---------------|--------|
| Passo             | Pitch          | Teilung       | Pas                | Paso          | 12,70  |
| Larghezza interna | Internal width | Innere Breite | Largeur interieure | Ancho interno | 7,94   |
| Rullo ø           | Roller ø       | Rollen ø      | ø du rouleau       | Rodillo ø     | 7,94   |

| CORONE                      | PLATE WHEELS               | KETTENRADSCHIEBEN         | DISQUES                         | DISCOS                      | ASA 40              |
|-----------------------------|----------------------------|---------------------------|---------------------------------|-----------------------------|---------------------|
| Raggio dente r              | Tooth radius r             | Radius r                  | Rayon de denture r              | Radio diente r              | r 13,5              |
| Larghezza raggio C          | Radius width C             | Breite C                  | Largeur de rayon C              | Ancho radio C               | C 1,6               |
| Largh. dente h <sub>1</sub> | Tooth width h <sub>1</sub> | Zahnbreite h <sub>1</sub> | Larg. de denture h <sub>1</sub> | Ancho diente h <sub>1</sub> | h <sub>1</sub> 7,4  |
| Largh. dente L              | Tooth width L              | Zahnbreite L              | Larg. de denture L              | Ancho diente L              | L 7,2               |
| Largh. dente h <sub>2</sub> | Tooth width h <sub>2</sub> | Zahnbreite h <sub>2</sub> | Larg. de denture h <sub>2</sub> | Ancho diente h <sub>2</sub> | h <sub>2</sub> 21,6 |
| Largh. dente h <sub>3</sub> | Tooth width h <sub>3</sub> | Zahnbreite h <sub>3</sub> | Larg. de denture h <sub>3</sub> | Ancho diente h <sub>3</sub> | h <sub>3</sub> 36,0 |
| Altezza totale H            | Full height H              | Gesamt Höhe H             | Hauteur totale H                | Altura total H              | H -                 |

| Z  | D <sub>e</sub> | D <sub>p</sub> | Simplex  |    | Duplex   |    | Triplex  |    |
|----|----------------|----------------|----------|----|----------|----|----------|----|
|    |                |                | cod.     | d  | cod.     | d  | cod.     | d  |
| 30 | 128,06         | 121,50         |          |    |          |    | CT 09A30 | 20 |
| 32 | 136,13         | 129,57         |          |    | CD 09A32 | 16 |          |    |
| 38 | 160,35         | 153,79         |          |    | CD 09A38 | 20 | CT 09A38 | 25 |
| 40 | 168,43         | 161,87         |          |    | CD 09A40 | 20 |          |    |
| 42 | 176,50         | 169,94         | CS 09A42 | 20 |          |    |          |    |
| 45 | 188,62         | 182,06         | CS 09A45 | 20 | CD 09A45 | 20 | CT 09A45 | 25 |
| 48 | 200,74         | 194,18         | CS 09A48 | 20 |          |    |          |    |
| 57 | 237,10         | 230,54         | CS 09A57 | 20 | CD 09A57 | 25 | CT 09A57 | 25 |
| 76 | 313,88         | 307,32         | CS 09A76 | 25 | CD 09A76 | 25 | CT 09A76 | 25 |
| 95 | 390,67         | 384,11         |          |    | CD 09A95 | 25 |          |    |



## Corone / Plate wheels Kettenradscheiben / Disques / Discos

Corone per catene semplici, doppie e triple a rulli secondo: DIN 8188 - ISO/R 606 - ANSI B 29,1  
**Corone tornite sui lati, dentate con creatore.**

Plate wheels for simplex, duplex and triplex chain to: DIN 8188 - ISO/R 606 - ANSI B 29,1  
**Plate Wheels turned on both sides and toothed by milling cutter.**

Kettenradscheiben mit einseitiger Nabe für Simplex- Duplex- Triplex-Rollenkette nach: DIN 8188 - ISO/R 606 - ANSI B 29,1  
**Seitlich plan gedrehte, wälzgefräste Zahnkränze.**

Disques avec moyeu déporté pour chaînes simples, doubles et triples à rouleaux suivant les normes: DIN 8188 - ISO/R 606 - ANSI B 29,1

**Disques tournés sur les flancs, dentés à la fraise.**

Discos para cadena simple, doble y triple de rodillos según: DIN 8188 - ISO/R 606 - ANSI B 29,1

**Discos torneadas en los lados, dientes obtenidos con fresa madre.**



**5/8" x 3/8"**

**ASA 50 - 1-2-3 15,875 x 9,52 mm**

| CATENA:           | CHAIN:         | KETTE:        | CHAÎNE:            | CADENA:       | ASA 50 |
|-------------------|----------------|---------------|--------------------|---------------|--------|
| Passo             | Pitch          | Teilung       | Pas                | Paso          | 15,875 |
| Larghezza interna | Internal width | Innere Breite | Largeur interieure | Ancho interno | 9,520  |
| Rullo ø           | Roller ø       | Rollen ø      | ø du rouleau       | Rodillo ø     | 10,160 |

| CORONE                      | PLATE WHEELS               | KETTENRADSCHIEBEN         | DISQUES                         | DISCOS                      | ASA 50              |
|-----------------------------|----------------------------|---------------------------|---------------------------------|-----------------------------|---------------------|
| Raggio dente r              | Tooth radius r             | Radius r                  | Rayon de denture r              | Radio diente r              | r 17,0              |
| Larghezza raggio C          | Radius width C             | Breite C                  | Largeur de rayon C              | Ancho radio C               | C 2,0               |
| Largh. dente h <sub>1</sub> | Tooth width h <sub>1</sub> | Zahnbreite h <sub>1</sub> | Larg. de denture h <sub>1</sub> | Ancho diente h <sub>1</sub> | h <sub>1</sub> 9,0  |
| Largh. dente L              | Tooth width L              | Zahnbreite L              | Larg. de denture L              | Ancho diente L              | L 8,8               |
| Largh. dente h <sub>2</sub> | Tooth width h <sub>2</sub> | Zahnbreite h <sub>2</sub> | Larg. de denture h <sub>2</sub> | Ancho diente h <sub>2</sub> | h <sub>2</sub> 26,9 |
| Largh. dente h <sub>3</sub> | Tooth width h <sub>3</sub> | Zahnbreite h <sub>3</sub> | Larg. de denture h <sub>3</sub> | Ancho diente h <sub>3</sub> | h <sub>3</sub> 45,0 |
| Altezza totale H            | Full height H              | Gesamt Höhe H             | Hauteur totale H                | Altura total H              | H -                 |

| Z  | D <sub>e</sub> | D <sub>p</sub> | Simplex<br>cod. D | Duplex<br>cod. D | Triplex<br>cod. D | Z   | D <sub>e</sub> | D <sub>p</sub> | Simplex<br>cod. D | Duplex<br>cod. D | Triplex<br>cod. D |
|----|----------------|----------------|-------------------|------------------|-------------------|-----|----------------|----------------|-------------------|------------------|-------------------|
| 8  | 47,0           | 41,48          | CS 10A08 10       |                  |                   | 44  | 230,0          | 222,53         | CS 10A44 20       |                  |                   |
| 9  | 52,6           | 46,42          | CS 10A09 10       |                  |                   | 45  | 235,0          | 227,58         | CS 10A45 20       | CD 10A45 20      | CT 10A45 25       |
| 10 | 57,5           | 51,37          | CS 10A10 10       |                  |                   | 46  | 240,1          | 232,63         | CS 10A46 20       |                  |                   |
| 11 | 63,0           | 56,34          | CS 10A11 10       |                  |                   | 47  | 245,1          | 237,68         | CS 10A47 20       |                  |                   |
| 12 | 68,0           | 61,34          | CS 10A12 10       |                  |                   | 48  | 250,2          | 242,73         | CS 10A48 20       |                  |                   |
| 13 | 73,0           | 66,32          | CS 10A13 10       |                  |                   | 49  | 255,2          | 247,78         | CS 10A49 20       |                  |                   |
| 14 | 78,0           | 71,34          | CS 10A14 10       |                  |                   | 50  | 260,3          | 252,82         | CS 10A50 20       |                  |                   |
| 15 | 83,0           | 76,36          | CS 10A15 10       |                  |                   | 51  | 265,3          | 257,87         | CS 10A51 20       |                  |                   |
| 16 | 88,0           | 81,37          | CS 10A16 12       |                  |                   | 52  | 270,4          | 262,92         | CS 10A52 20       |                  |                   |
| 17 | 93,0           | 86,38          | CS 10A17 12       |                  |                   | 53  | 275,4          | 267,97         | CS 10A53 20       |                  |                   |
| 18 | 98,3           | 91,42          | CS 10A18 12       |                  |                   | 54  | 280,5          | 273,03         | CS 10A54 20       |                  |                   |
| 19 | 103,3          | 96,45          | CS 10A19 12       |                  |                   | 55  | 285,5          | 278,08         | CS 10A55 20       |                  |                   |
| 20 | 108,4          | 101,49         | CS 10A20 12       |                  |                   | 56  | 290,6          | 283,13         | CS 10A56 25       |                  |                   |
| 21 | 113,4          | 106,52         | CS 10A21 12       |                  |                   | 57  | 295,6          | 288,18         | CS 10A57 25       | CD 10A57 25      | CT 10A57 25       |
| 22 | 118,0          | 111,55         | CS 10A22 12       |                  |                   | 58  | 300,7          | 293,23         | CS 10A58 25       |                  |                   |
| 23 | 123,5          | 116,58         | CS 10A23 12       |                  |                   | 59  | 305,7          | 298,27         | CS 10A59 25       |                  |                   |
| 24 | 128,3          | 121,62         | CS 10A24 12       |                  |                   | 60  | 310,8          | 303,32         | CS 10A60 25       |                  |                   |
| 25 | 134,0          | 126,66         | CS 10A25 12       |                  |                   | 62  | 321,4          | 313,43         | CS 10A62 25       |                  |                   |
| 26 | 139,0          | 131,70         | CS 10A26 16       |                  |                   | 64  | 331,5          | 321,53         | CS 10A64 25       |                  |                   |
| 27 | 144,0          | 136,75         | CS 10A27 16       |                  |                   | 65  | 336,5          | 328,58         | CS 10A65 25       |                  |                   |
| 28 | 148,7          | 141,78         | CS 10A28 16       |                  |                   | 66  | 341,6          | 333,63         | CS 10A66 25       |                  |                   |
| 29 | 153,8          | 146,83         | CS 10A29 16       |                  |                   | 68  | 351,7          | 343,74         | CS 10A68 25       |                  |                   |
| 30 | 158,8          | 151,87         | CS 10A30 16       | CD 10A30 20      | CT 10A30 20       | 70  | 361,8          | 353,84         | CS 10A70 25       |                  |                   |
| 31 | 163,9          | 156,92         | CS 10A31 16       |                  |                   | 72  | 371,9          | 363,95         | CS 10A72 25       |                  |                   |
| 32 | 168,9          | 161,95         | CS 10A32 16       |                  |                   | 75  | 387,1          | 379,09         | CS 10A75 25       |                  |                   |
| 33 | 174,5          | 167,00         | CS 10A33 16       |                  |                   | 76  | 392,1          | 384,16         | CS 10A76 25       | CD 10A76 25      | CT 10A76 30       |
| 34 | 179,0          | 172,05         | CS 10A34 16       |                  |                   | 78  | 402,2          | 394,25         | CS 10A78 25       |                  |                   |
| 35 | 184,1          | 177,10         | CS 10A35 20       |                  |                   | 80  | 412,3          | 404,35         | CS 10A80 30       |                  |                   |
| 36 | 189,1          | 182,15         | CS 10A36 20       |                  |                   | 85  | 437,6          | 429,62         | CS 10A85 30       |                  |                   |
| 37 | 194,2          | 187,20         | CS 10A37 20       |                  |                   | 90  | 462,8          | 454,88         | CS 10A90 30       |                  |                   |
| 38 | 199,2          | 192,24         | CS 10A38 20       | CD 10A38 20      | CT 10A38 25       | 95  | 488,5          | 480,14         | CS 10A95 30       | CD 10A95 30      |                   |
| 39 | 204,2          | 197,29         | CS 10A39 20       |                  |                   | 100 | 513,4          | 505,39         | CS 1A100 30       |                  |                   |
| 40 | 209,3          | 202,34         | CS 10A40 20       |                  |                   | 110 | 563,9          | 555,92         | CS 1A110 30       |                  |                   |
| 41 | 214,8          | 207,39         | CS 10A41 20       |                  |                   | 114 | 584,1          | 576,13         | CS 1A114 30       |                  |                   |
| 42 | 219,9          | 212,44         | CS 10A42 20       |                  |                   | 120 | 614,4          | 606,45         | CS 1A120 30       |                  |                   |
| 43 | 224,9          | 217,49         | CS 10A43 20       |                  |                   | 125 | 639,7          | 631,51         | CS 1A125 30       |                  |                   |

# Corone / Plate wheels Kettenradscheiben / Disques / Discos

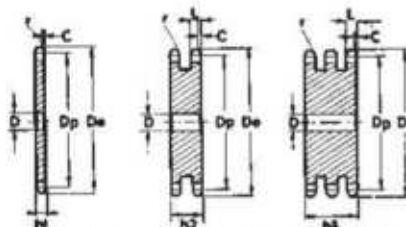
Corone per catene semplici, doppie e triple a rulli secondo: DIN 8188 - ISO/R 606 - ANSI B 29,1  
Corone tornite sui lati, dentate con creatore.

Plate wheels for simplex, duplex and triplex chain to: DIN 8188 - ISO/R 606 - ANSI B 29,1  
Plate Wheels turned on both sides and toothed by milling cutter.

Kettenradscheiben mit einseitiger Nabe für Simplex- Duplex- Triplex-Rollenkette nach: DIN 8188 - ISO/R 606 - ANSI B 29,1  
Seitlich plan gedrehte, wälzgefräste Zahnkränze.

Disques avec moyeu déporté pour chaînes simples, doubles et triples à rouleaux suivant les normes: DIN 8188 - ISO/R 606 - ANSI B 29,1  
Disques tournés sur les flancs, dentés à la fraise.

Discos para cadena simple, doble y triple de rodillos segun: DIN 8188 - ISO/R 606 - ANSI B 29,1  
Discos torneadas en los lados, dientes obtenidos con fresa madre.



3/4" x 1/2"

ASA 60 - 1-2-3 19,05 x 12,7 mm

| CATENA:           | CHAIN:         | KETTE:        | CHAÎNE:            | CADENA:       | ASA 60 |
|-------------------|----------------|---------------|--------------------|---------------|--------|
| Passo             | Pitch          | Teilung       | Pas                | Paso          | 19,05  |
| Larghezza interna | Internal width | Innere Breite | Largeur interieure | Ancho interno | 12,70  |
| Rullo ø           | Roller ø       | Rollen ø      | ø du rouleau       | Rodillo ø     | 11,91  |

| CORONE                      | PLATE WHEELS               | KETTENRADSCHIEBEN         | DISQUES                         | DISCOS                      | ASA 60              |
|-----------------------------|----------------------------|---------------------------|---------------------------------|-----------------------------|---------------------|
| Raggio dente r              | Tooth radius r             | Radius r                  | Rayon de denture r              | Radio diente r              | r 20,0              |
| Larghezza raggio C          | Radius width C             | Breite C                  | Largeur de rayon C              | Ancho radio C               | C 2,4               |
| Largh. dente h <sub>1</sub> | Tooth width h <sub>1</sub> | Zahnbreite h <sub>1</sub> | Larg. de denture h <sub>1</sub> | Ancho diente h <sub>1</sub> | h <sub>1</sub> 12,0 |
| Largh. dente L              | Tooth width L              | Zahnbreite L              | Larg. de denture L              | Ancho diente L              | L 11,8              |
| Largh. dente h <sub>2</sub> | Tooth width h <sub>2</sub> | Zahnbreite h <sub>2</sub> | Larg. de denture h <sub>2</sub> | Ancho diente h <sub>2</sub> | h <sub>2</sub> 34,6 |
| Largh. dente h <sub>3</sub> | Tooth width h <sub>3</sub> | Zahnbreite h <sub>3</sub> | Larg. de denture h <sub>3</sub> | Ancho diente h <sub>3</sub> | h <sub>3</sub> 57,4 |
| Altezza totale H            | Full height H              | Gesamt Höhe H             | Hauteur totale H                | Altura total H              | H -                 |

| Z  | D <sub>e</sub> | D <sub>p</sub> | Simplex  |    | Duplex   |    | Triplex  |    |
|----|----------------|----------------|----------|----|----------|----|----------|----|
|    |                |                | cod.     | d  | cod.     | d  | cod.     | d  |
| 30 | 192,14         | 182,25         |          |    |          |    |          |    |
| 32 | 204,24         | 194,35         |          |    | CD 11A32 | 20 | CT 11A30 | 20 |
| 38 | 240,58         | 230,69         | CS 11A38 | 20 | CD 11A38 | 25 | CT 11A38 | 25 |
| 40 | 252,69         | 242,80         | CS 11A40 | 20 | CD 11A40 | 25 |          |    |
| 45 | 282,98         | 273,09         | CS 11A45 | 25 | CD 11A45 | 25 | CT 11A45 | 25 |
| 48 | 301,16         | 291,27         | CS 11A48 | 25 |          |    |          |    |
| 57 | 355,70         | 345,81         | CS 11A57 | 25 | CD 11A57 | 25 | CT 11A57 | 30 |
| 76 | 470,87         | 460,98         | CS 11A76 | 25 | CD 11A76 | 30 | CT 11A76 | 30 |
| 95 | 586,06         | 576,17         |          |    | CD 11A95 | 30 |          |    |

1" x 5/8"

ASA 80 - 1-2-3 25,4 x 15,88 mm

| CATENA:           | CHAIN:         | KETTE:        | CHAÎNE:            | CADENA:       | ASA 80 |
|-------------------|----------------|---------------|--------------------|---------------|--------|
| Passo             | Pitch          | Teilung       | Pas                | Paso          | 25,40  |
| Larghezza interna | Internal width | Innere Breite | Largeur interieure | Ancho interno | 15,88  |
| Rullo ø           | Roller ø       | Rollen ø      | ø du rouleau       | Rodillo ø     | 15,88  |

| CORONE                      | PLATE WHEELS               | KETTENRADSCHIEBEN         | DISQUES                         | DISCOS                      | ASA 80              |
|-----------------------------|----------------------------|---------------------------|---------------------------------|-----------------------------|---------------------|
| Raggio dente r              | Tooth radius r             | Radius r                  | Rayon de denture r              | Radio diente r              | r 27,0              |
| Larghezza raggio C          | Radius width C             | Breite C                  | Largeur de rayon C              | Ancho radio C               | C 3,2               |
| Largh. dente h <sub>1</sub> | Tooth width h <sub>1</sub> | Zahnbreite h <sub>1</sub> | Larg. de denture h <sub>1</sub> | Ancho diente h <sub>1</sub> | h <sub>1</sub> 15,0 |
| Largh. dente L              | Tooth width L              | Zahnbreite L              | Larg. de denture L              | Ancho diente L              | L 14,7              |
| Largh. dente h <sub>2</sub> | Tooth width h <sub>2</sub> | Zahnbreite h <sub>2</sub> | Larg. de denture h <sub>2</sub> | Ancho diente h <sub>2</sub> | h <sub>2</sub> 44,0 |
| Largh. dente h <sub>3</sub> | Tooth width h <sub>3</sub> | Zahnbreite h <sub>3</sub> | Larg. de denture h <sub>3</sub> | Ancho diente h <sub>3</sub> | h <sub>3</sub> 73,3 |
| Altezza totale H            | Full height H              | Gesamt Höhe H             | Hauteur totale H                | Altura total H              | H -                 |

| Z  | D <sub>e</sub> | D <sub>p</sub> | Simplex  |    | Duplex   |    | Triplex  |    |
|----|----------------|----------------|----------|----|----------|----|----------|----|
|    |                |                | cod.     | D  | cod.     | D  | cod.     | D  |
| 10 | 95,32          | 82,19          | CS 12A10 | 15 |          |    |          |    |
| 11 | 103,28         | 90,14          | CS 12A11 | 15 |          |    |          |    |
| 12 | 111,26         | 98,14          | CS 12A12 | 15 |          |    |          |    |
| 13 | 119,26         | 106,12         | CS 12A13 | 15 |          |    |          |    |
| 14 | 127,27         | 114,15         | CS 12A14 | 15 |          |    |          |    |
| 15 | 135,29         | 122,17         | CS 12A15 | 15 |          |    |          |    |
| 16 | 143,32         | 130,20         | CS 12A16 | 20 |          |    |          |    |
| 17 | 151,35         | 138,22         | CS 12A17 | 20 |          |    |          |    |
| 18 | 159,39         | 146,28         | CS 12A18 | 20 |          |    |          |    |
| 19 | 167,44         | 154,33         | CS 12A19 | 20 |          |    |          |    |
| 20 | 175,49         | 162,38         | CS 12A20 | 20 |          |    |          |    |
| 21 | 183,54         | 170,43         | CS 12A21 | 20 |          |    |          |    |
| 22 | 191,60         | 178,48         | CS 12A22 | 20 |          |    |          |    |
| 23 | 199,66         | 186,53         | CS 12A23 | 20 |          |    |          |    |
| 24 | 207,72         | 194,59         |          |    | CS 12A24 | 20 |          |    |
| 25 | 215,78         | 202,66         |          |    | CS 12A25 | 20 | CD 12A25 | 25 |
| 26 | 223,84         | 210,72         |          |    | CS 12A26 | 20 |          |    |
| 27 | 231,91         | 218,79         |          |    | CS 12A27 | 20 |          |    |
| 28 | 239,98         | 226,85         |          |    | CS 12A28 | 20 |          |    |
| 30 | 256,12         | 243,00         |          |    | CS 12A30 | 20 | CD 12A30 | 25 |
| 32 | 272,26         | 259,13         |          |    | CS 12A32 | 25 |          |    |
| 35 | 296,48         | 283,36         |          |    | CS 12A35 | 25 |          |    |
| 38 | 320,70         | 307,59         |          |    | CS 12A38 | 25 | CD 12A38 | 25 |
| 45 | 377,24         | 364,12         |          |    | CS 12A45 | 25 | CD 12A45 | 25 |
| 50 | 417,64         | 404,52         |          |    | CS 12A50 | 25 |          |    |
| 57 | 474,20         | 461,08         |          |    | CS 12A57 | 25 | CD 12A57 | 25 |
| 76 | 627,80         | 614,64         |          |    | CS 12A76 | 25 | CD 12A76 | 25 |



## Corone / Plate wheels Kettenradscheiben / Disques / Discos

Corone per catene semplici, dop-  
pie e triple a rulli secondo: DIN  
8188 - ISO/R 606 - ANSI B 29,1

**Corone tornite sui lati, dentate  
con creatore.**

Plate wheels for simplex, dup-  
lex and triplex chain to: DIN  
8188 - ISO/R 606 - ANSI B 29,1

**Plate Wheels turned on  
both sides and toothed by  
milling cutter.**

Kettenradscheiben mit einseitig-  
ger Nabe für Simplex-Duplex-  
Triplex-Rollenkette nach: DIN  
8188 - ISO/R 606 - ANSI B 29,1

**Seitlich plan gedrehte,  
wälzgefräste Zahnkränze.**

Disques avec moyeu déporté  
pour chaînes simples, doubles  
et triples à rouleaux suivant les  
normes: DIN 8188 - ISO/R 606 -  
ANSI B 29,1

**Disques tournés sur les  
flancs, dentés à la fraise.**

Discos para cadena simple,  
doble y triple de rodillos se-  
gun: DIN 8188 - ISO/R 606 -  
ANSI B 29,1

**Discos torneadas en los  
lados, dientes obtenidos con  
fresa madre.**



**1"1/4 x 3/4"**

**ASA 100 - 1-2-3 31,75 x 19,05 mm**

| CATENA:           | CHAIN:         | KETTE:        | CHAÎNE:            | CADENA:        | ASA 100 |
|-------------------|----------------|---------------|--------------------|----------------|---------|
| Passo             | Pitch          | Teilung       | Pas                | Paso           | 31,75   |
| Larghezza interna | Internal width | Innere Breite | Largeur interieure | Ancho interno  | 19,05   |
| Rullo $\phi$      | Roller $\phi$  | Rollen $\phi$ | $\phi$ du rouleau  | Rodillo $\phi$ | 19,05   |

| CORONE             | PLATE WHEELS      | KETTENRADSCHIEBEN | DISQUES                | DISCOS             | ASA 100    |
|--------------------|-------------------|-------------------|------------------------|--------------------|------------|
| Raggio dente r     | Tooth radius r    | Radius r          | Rayon de denture r     | Radio diente r     | r 33,5     |
| Larghezza raggio C | Radius width C    | Breite C          | Largeur de rayon C     | Ancho radio C      | C 4,0      |
| Largh. dente $h_1$ | Tooth width $h_1$ | Zahnbreite $h_1$  | Larg. de denture $h_1$ | Ancho diente $h_1$ | $h_1$ 18,0 |
| Largh. dente L     | Tooth width L     | Zahnbreite L      | Larg. de denture L     | Ancho diente L     | L 17,7     |
| Largh. dente $h_2$ | Tooth width $h_2$ | Zahnbreite $h_2$  | Larg. de denture $h_2$ | Ancho diente $h_2$ | $h_2$ 53,5 |
| Largh. dente $h_3$ | Tooth width $h_3$ | Zahnbreite $h_3$  | Larg. de denture $h_3$ | Ancho diente $h_3$ | $h_3$ 89,2 |
| Altezza totale H   | Full height H     | Gesamt Höhe H     | Hauteur totale H       | Altura total H     | H -        |

| Z  | D <sub>e</sub> | D <sub>p</sub> | Simplex  |    | Duplex   |    |
|----|----------------|----------------|----------|----|----------|----|
|    |                |                | cod.     | D  | cod.     | D  |
| 8  | 98,1           | 82,96          | CS 13A08 | 16 |          |    |
| 9  | 108,0          | 92,84          | CS 13A09 | 16 |          |    |
| 10 | 117,9          | 102,74         | CS 13A10 | 16 |          |    |
| 11 | 127,8          | 112,68         | CS 13A11 | 16 |          |    |
| 12 | 137,8          | 122,68         | CS 13A12 | 20 |          |    |
| 13 | 147,8          | 132,65         | CS 13A13 | 20 |          |    |
| 14 | 157,8          | 142,68         | CS 13A14 | 20 |          |    |
| 15 | 167,9          | 152,72         | CS 13A15 | 20 |          |    |
| 16 | 177,9          | 162,75         | CS 13A16 | 25 |          |    |
| 17 | 187,9          | 172,78         | CS 13A17 | 25 |          |    |
| 18 | 198,0          | 182,85         | CS 13A18 | 25 |          |    |
| 19 | 208,1          | 192,91         | CS 13A19 | 25 |          |    |
| 20 | 218,1          | 202,98         | CS 13A20 | 25 | CD 13A20 | 25 |
| 21 | 228,2          | 213,04         | CS 13A21 | 25 |          |    |
| 22 | 238,3          | 223,11         | CS 13A22 | 25 |          |    |
| 23 | 248,3          | 233,17         | CS 13A23 | 25 |          |    |
| 24 | 258,4          | 243,23         | CS 13A24 | 25 |          |    |
| 25 | 268,5          | 253,33         | CS 13A25 | 25 | CD 13A25 | 25 |
| 26 | 278,6          | 263,40         | CS 13A26 | 25 |          |    |
| 27 | 288,6          | 273,40         | CS 13A27 | 25 |          |    |
| 28 | 298,7          | 283,56         | CS 13A28 | 25 |          |    |
| 29 | 308,8          | 293,65         | CS 13A29 | 25 |          |    |
| 30 | 318,9          | 303,75         | CS 13A30 | 25 | CD 13A30 | 25 |
| 31 | 329,0          | 313,85         | CS 13A31 | 25 |          |    |
| 32 | 339,1          | 323,91         | CS 13A32 | 25 |          |    |
| 33 | 349,2          | 334,01         | CS 13A33 | 25 |          |    |
| 34 | 359,3          | 344,10         | CS 13A34 | 25 |          |    |
| 35 | 369,4          | 354,20         | CS 13A35 | 25 |          |    |
| 36 | 379,5          | 364,30         | CS 13A36 | 25 |          |    |
| 37 | 389,5          | 374,39         | CS 13A37 | 25 |          |    |
| 38 | 399,6          | 384,49         | CS 13A38 | 25 | CD 13A38 | 30 |
| 39 | 409,7          | 394,59         | CS 13A39 | 25 |          |    |
| 40 | 419,8          | 404,68         | CS 13A40 | 25 |          |    |
| 45 | 470,3          | 455,17         | CS 13A45 | 30 | CD 13A45 | 30 |
| 57 | 591,5          | 576,36         | CS 13A57 | 30 | CD 13A57 | 30 |

## Corone / Plate wheels Kettenradscheiben / Disques / Discos

Corone per catene semplici, doppi e triple a rulli secondo: DIN 8188 - ISO/R 606 - ANSI B 29,1

Corone tornite sui lati, dentate con creatore.

Plate wheels for simplex, duplex and triplex chain to: DIN 8188 - ISO/R 606 - ANSI B 29,1

Plate Wheels turned on both sides and toothed by milling cutter.

Kettenradscheiben mit einseitiger Nabe für Simplex-Duplex-Triplex-Rollenkette nach: DIN 8188 - ISO/R 606 - ANSI B 29,1

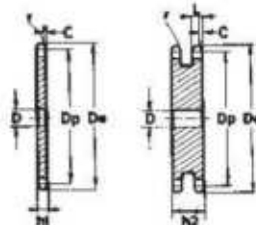
Seitlich plan gedrehte, wälzgefräste Zahnkränze.

Disques avec moyeu déporté pour chaînes simples, doubles et triples à rouleaux suivant les normes: DIN 8188 - ISO/R 606 - ANSI B 29,1

Disques tournés sur les flancs, dentés à la fraise.

Discos para cadena simple, doble y triple de rodillos según: DIN 8188 - ISO/R 606 - ANSI B 29,1

Discos torneadas en los lados, dientes obtenidos con fresa madre.



### 1"1/2 x 1"

### ASA 120 - 1-2-3 38,1 x 25,4 mm

| CATENA:           | CHAIN:         | KETTE:        | CHAÎNE:            | CADENA:       | ASA 120 |
|-------------------|----------------|---------------|--------------------|---------------|---------|
| Passo             | Pitch          | Teilung       | Pas                | Paso          | 38,10   |
| Larghezza interna | Internal width | Innere Breite | Largeur interieure | Ancho interno | 25,40   |
| Rullo ø           | Roller ø       | Rollen ø      | ø du rouleau       | Rodillo ø     | 22,22   |

| CORONE                      | PLATE WHEELS               | KETTENRADSCHIEBEN         | DISQUES                         | DISCOS                      | ASA 120              |
|-----------------------------|----------------------------|---------------------------|---------------------------------|-----------------------------|----------------------|
| Raggio dente r              | Tooth radius r             | Radius r                  | Rayon de denture r              | Radio diente r              | r 40,5               |
| Larghezza raggio C          | Radius width C             | Breite C                  | Largeur de rayon C              | Ancho radio C               | C 4,8                |
| Largh. dente h <sub>1</sub> | Tooth width h <sub>1</sub> | Zahnbreite h <sub>1</sub> | Larg. de denture h <sub>1</sub> | Ancho diente h <sub>1</sub> | h <sub>1</sub> 24,1  |
| Largh. dente L              | Tooth width L              | Zahnbreite L              | Larg. de denture L              | Ancho diente L              | L 23,6               |
| Largh. dente h <sub>2</sub> | Tooth width h <sub>2</sub> | Zahnbreite h <sub>2</sub> | Larg. de denture h <sub>2</sub> | Ancho diente h <sub>2</sub> | h <sub>2</sub> 69,0  |
| Largh. dente h <sub>3</sub> | Tooth width h <sub>3</sub> | Zahnbreite h <sub>3</sub> | Larg. de denture h <sub>3</sub> | Ancho diente h <sub>3</sub> | h <sub>3</sub> 114,5 |
| Altezza totale H            | Full height H              | Gesamt Höhe H             | Hauteur totale H                | Altura total H              | H -                  |

| Z  | D <sub>s</sub> | D <sub>p</sub> | Simplex  |    | Duplex   |    |
|----|----------------|----------------|----------|----|----------|----|
|    |                |                | cod.     | d  | cod.     | d  |
| 16 | 214,77         | 195,29         | CS 14A16 | 25 | CD 14A17 | 25 |
| 17 | 226,83         | 207,35         | CS 14A17 | 25 | CD 14A18 | 25 |
| 18 | 238,89         | 219,41         | CS 14A18 | 25 | CD 14A20 | 25 |
| 20 | 263,03         | 243,55         | CS 14A20 | 25 | CD 14A25 | 25 |
| 22 | 287,20         | 267,72         | CS 14A22 | 25 |          |    |
| 25 | 323,47         | 303,99         | CS 14A25 | 25 |          |    |

| Z  | D <sub>s</sub> | D <sub>p</sub> | Simplex  |    | Duplex   |    |
|----|----------------|----------------|----------|----|----------|----|
|    |                |                | cod.     | d  | cod.     | d  |
| 30 | 383,97         | 364,49         | CS 14A30 | 25 | CD 14A30 | 30 |
| 32 | 408,19         | 388,71         | CS 14A32 | 30 | CD 14A38 | 30 |
| 38 | 480,85         | 461,37         | CS 14A38 | 30 | CD 14A45 | 40 |
| 45 | 565,67         | 546,19         | CS 14A45 | 30 | CD 14A57 | 40 |
| 57 | 711,10         | 691,62         | CS 14A57 | 30 |          |    |

### 1"3/4 x 1"1/4

### ASA 140 - 1-2-3 44,45 x 25,4 mm

| CATENA:           | CHAIN:         | KETTE:        | CHAÎNE:            | CADENA:       | ASA 140 |
|-------------------|----------------|---------------|--------------------|---------------|---------|
| Passo             | Pitch          | Teilung       | Pas                | Paso          | 44,45   |
| Larghezza interna | Internal width | Innere Breite | Largeur interieure | Ancho interno | 25,40   |
| Rullo ø           | Roller ø       | Rollen ø      | ø du rouleau       | Rodillo ø     | 25,40   |

| CORONE                      | PLATE WHEELS               | KETTENRADSCHIEBEN         | DISQUES                         | DISCOS                      | ASA 140              |
|-----------------------------|----------------------------|---------------------------|---------------------------------|-----------------------------|----------------------|
| Raggio dente r              | Tooth radius r             | Radius r                  | Rayon de denture r              | Radio diente r              | r 47,5               |
| Larghezza raggio C          | Radius width C             | Breite C                  | Largeur de rayon C              | Ancho radio C               | C 5,8                |
| Largh. dente h <sub>1</sub> | Tooth width h <sub>1</sub> | Zahnbreite h <sub>1</sub> | Larg. de denture h <sub>1</sub> | Ancho diente h <sub>1</sub> | h <sub>1</sub> 24,1  |
| Largh. dente L              | Tooth width L              | Zahnbreite L              | Larg. de denture L              | Ancho diente L              | L 23,6               |
| Largh. dente h <sub>2</sub> | Tooth width h <sub>2</sub> | Zahnbreite h <sub>2</sub> | Larg. de denture h <sub>2</sub> | Ancho diente h <sub>2</sub> | h <sub>2</sub> 72,5  |
| Largh. dente h <sub>3</sub> | Tooth width h <sub>3</sub> | Zahnbreite h <sub>3</sub> | Larg. de denture h <sub>3</sub> | Ancho diente h <sub>3</sub> | h <sub>3</sub> 121,3 |
| Altezza totale H            | Full height H              | Gesamt Höhe H             | Hauteur totale H                | Altura total H              | H -                  |

### 2" x 1"1/4

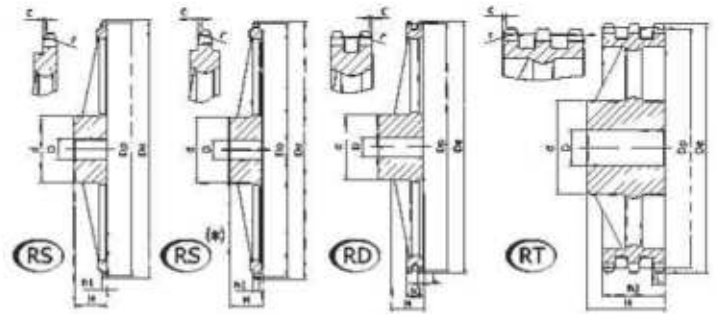
### ASA 160 - 1-2-3 50,8 x 31,75 mm

| CATENA:           | CHAIN:         | KETTE:        | CHAÎNE:            | CADENA:       | ASA 160 |
|-------------------|----------------|---------------|--------------------|---------------|---------|
| Passo             | Pitch          | Teilung       | Pas                | Paso          | 50,80   |
| Larghezza interna | Internal width | Innere Breite | Largeur interieure | Ancho interno | 31,75   |
| Rullo ø           | Roller ø       | Rollen ø      | ø du rouleau       | Rodillo ø     | 28,58   |

| CORONE                      | PLATE WHEELS               | KETTENRADSCHIEBEN         | DISQUES                         | DISCOS                      | ASA 160              |
|-----------------------------|----------------------------|---------------------------|---------------------------------|-----------------------------|----------------------|
| Raggio dente r              | Tooth radius r             | Radius r                  | Rayon de denture r              | Radio diente r              | r 54,0               |
| Larghezza raggio C          | Radius width C             | Breite C                  | Largeur de rayon C              | Ancho radio C               | C 7,0                |
| Largh. dente h <sub>1</sub> | Tooth width h <sub>1</sub> | Zahnbreite h <sub>1</sub> | Larg. de denture h <sub>1</sub> | Ancho diente h <sub>1</sub> | h <sub>1</sub> 30,1  |
| Largh. dente L              | Tooth width L              | Zahnbreite L              | Larg. de denture L              | Ancho diente L              | L 29,5               |
| Largh. dente h <sub>2</sub> | Tooth width h <sub>2</sub> | Zahnbreite h <sub>2</sub> | Larg. de denture h <sub>2</sub> | Ancho diente h <sub>2</sub> | h <sub>2</sub> 88,0  |
| Largh. dente h <sub>3</sub> | Tooth width h <sub>3</sub> | Zahnbreite h <sub>3</sub> | Larg. de denture h <sub>3</sub> | Ancho diente h <sub>3</sub> | h <sub>3</sub> 146,6 |
| Altezza totale H            | Full height H              | Gesamt Höhe H             | Hauteur totale H                | Altura total H              | H -                  |



**Pignoni in ghisa / Cast iron sprockets**  
**Kettenräder aus Gusseisen / Roues en fonte / Rueda en fundicion**



**Ghisa**                      **Cast iron**                      **Grauguss**                      **Fonte**                      **Hierro fundido**  
**EN-GJL-250 UNI EN 1561**    **EN-GJL-250 UNI EN 1561**    **EN-GJL-250 UNI EN 1561**    **EN-GJL-250 UNI EN 1561**    **EN-GJL-250 UNI EN 1561**

**3/8" x 7/32" - 9,525 x 5,72 mm**

**06B - 1 - 2 - 3 - DIN 8187 ISO/R 606**

| CATENA:           | CHAIN:         | KETTE:        | CHAÎNE:            | CADENA:       | mm    |
|-------------------|----------------|---------------|--------------------|---------------|-------|
| Passo             | Pitch          | Teilung       | Pas                | Paso          | 9,525 |
| Larghezza interna | Internal width | Innere Breite | Largeur interieure | Ancho interno | 5,720 |
| Rullo ø           | Roller ø       | Rollen ø      | ø du rouleau       | Rodillo ø     | 6,350 |

| PIGNONE                     | SPROCKETS                  | KETTENRÄDER               | PIGNONS                         | PIÑONES                     | mm                  |
|-----------------------------|----------------------------|---------------------------|---------------------------------|-----------------------------|---------------------|
| Raggio dente r              | Tooth radius r             | Radius r                  | Rayon de denture r              | Radio diente r              | r 10,0              |
| Larghezza raggio C          | Radius width C             | Breite C                  | Largeur de rayon C              | Ancho radio C               | C 1,0               |
| Largh. dente h <sub>1</sub> | Tooth width h <sub>1</sub> | Zahnbreite h <sub>1</sub> | Larg. de denture h <sub>1</sub> | Ancho diente h <sub>1</sub> | h <sub>1</sub> 5,3  |
| Largh. dente L              | Tooth width L              | Zahnbreite L              | Larg. de denture L              | Ancho diente L              | L 5,2               |
| Largh. dente h <sub>2</sub> | Tooth width h <sub>2</sub> | Zahnbreite h <sub>2</sub> | Larg. de denture h <sub>2</sub> | Ancho diente h <sub>2</sub> | h <sub>2</sub> 15,4 |
| Largh. dente h <sub>3</sub> | Tooth width h <sub>3</sub> | Zahnbreite h <sub>3</sub> | Larg. de denture h <sub>3</sub> | Ancho diente h <sub>3</sub> | h <sub>3</sub> 25,6 |
| Altezza totale H            | Full height H              | Gesamt Höhe H             | Hauteur totale H                | Altura total H              | H -                 |

| Z     | D <sub>e</sub> | D <sub>p</sub> | Simplex  |    |    |    | Duplex   |     |    |    | Triplex  |     |    |    |
|-------|----------------|----------------|----------|----|----|----|----------|-----|----|----|----------|-----|----|----|
|       |                |                | cod.     | d  | D  | H  | cod.     | d   | D  | H  | cod.     | d   | D  | H  |
| 38    | 119,5          | 115,34         | RS 05038 | 70 | 19 | 32 | RD 05038 | 80  | 19 | 40 | RT 05038 | 90  | 23 | 56 |
| 45    | 140,7          | 136,54         | RS 05045 | 70 | 19 | 32 | RD 05045 | 80  | 19 | 40 | RT 05045 | 90  | 23 | 56 |
| 57    | 176,9          | 172,91         | RS 05057 | 70 | 19 | 32 | RD 05057 | 80  | 19 | 40 | RT 05057 | 90  | 23 | 56 |
| 76    | 234,9          | 230,49         | RS 05076 | 70 | 19 | 32 | RD 05076 | 80  | 19 | 40 | RT 05076 | 100 | 23 | 56 |
| * 95  | 292,5          | 288,08         | RS 05095 | 80 | 19 | 40 | RD 05095 | 90  | 19 | 45 | RT 05095 | 100 | 23 | 56 |
| * 114 | 349,6          | 345,68         | RS 05114 | 80 | 19 | 40 | RD 05114 | 95  | 19 | 45 | RT 05114 | 100 | 23 | 56 |
| * 150 | 459,2          | 454,82         | RS 05150 | 90 | 23 | 45 | RD 05150 | 100 | 23 | 50 | RT 05150 | 125 | 23 | 60 |

**1/2" x 5/16" - 12,7 x 7,75 mm**

**08B - 1 - 2 - 3 - DIN 8187 ISO/R 606**

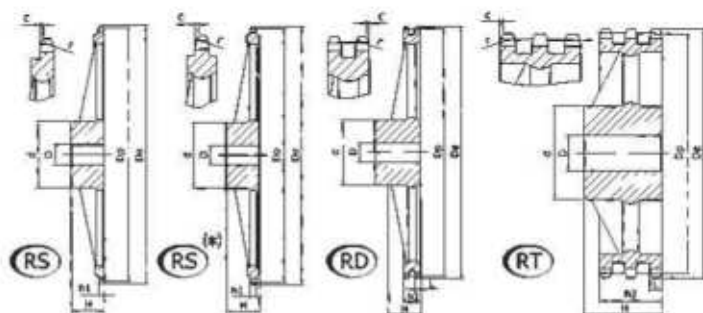
| CATENA:           | CHAIN:         | KETTE:        | CHAÎNE:            | CADENA:       | mm    |
|-------------------|----------------|---------------|--------------------|---------------|-------|
| Passo             | Pitch          | Teilung       | Pas                | Paso          | 12,70 |
| Larghezza interna | Internal width | Innere Breite | Largeur interieure | Ancho interno | 7,75  |
| Rullo ø           | Roller ø       | Rollen ø      | ø du rouleau       | Rodillo ø     | 8,51  |

| PIGNONE                     | SPROCKETS                  | KETTENRÄDER               | PIGNONS                         | PIÑONES                     | mm                  |
|-----------------------------|----------------------------|---------------------------|---------------------------------|-----------------------------|---------------------|
| Raggio dente r              | Tooth radius r             | Radius r                  | Rayon de denture r              | Radio diente r              | r 13,0              |
| Larghezza raggio C          | Radius width C             | Breite C                  | Largeur de rayon C              | Ancho radio C               | C 1,3               |
| Largh. dente h <sub>1</sub> | Tooth width h <sub>1</sub> | Zahnbreite h <sub>1</sub> | Larg. de denture h <sub>1</sub> | Ancho diente h <sub>1</sub> | h <sub>1</sub> 7,2  |
| Largh. dente L              | Tooth width L              | Zahnbreite L              | Larg. de denture L              | Ancho diente L              | L 7,0               |
| Largh. dente h <sub>2</sub> | Tooth width h <sub>2</sub> | Zahnbreite h <sub>2</sub> | Larg. de denture h <sub>2</sub> | Ancho diente h <sub>2</sub> | h <sub>2</sub> 21,0 |
| Largh. dente h <sub>3</sub> | Tooth width h <sub>3</sub> | Zahnbreite h <sub>3</sub> | Larg. de denture h <sub>3</sub> | Ancho diente h <sub>3</sub> | h <sub>3</sub> 34,9 |
| Altezza totale H            | Full height H              | Gesamt Höhe H             | Hauteur totale H                | Altura total H              | H -                 |

| Z     | D <sub>e</sub> | D <sub>p</sub> | Simplex  |    |    |    | Duplex   |     |    |    | Triplex  |     |    |    |
|-------|----------------|----------------|----------|----|----|----|----------|-----|----|----|----------|-----|----|----|
|       |                |                | cod.     | d  | D  | H  | cod.     | d   | D  | H  | cod.     | d   | D  | H  |
| 38    | 158,6          | 153,80         | RS 09038 | 70 | 19 | 40 | RD 09038 | 90  | 23 | 50 | RT 09038 | 100 | 23 | 60 |
| 45    | 188,0          | 182,07         | RS 09045 | 70 | 19 | 40 | RD 09045 | 90  | 23 | 50 | RT 09045 | 100 | 23 | 60 |
| 57    | 236,4          | 230,54         | RS 09057 | 70 | 19 | 40 | RD 09057 | 90  | 23 | 50 | RT 09057 | 100 | 23 | 60 |
| 76    | 313,3          | 307,33         | RS 09076 | 80 | 23 | 40 | RD 09076 | 100 | 23 | 56 | RT 09076 | 100 | 23 | 60 |
| * 95  | 390,1          | 384,11         | RS 09095 | 80 | 23 | 45 | RD 09095 | 100 | 23 | 56 | RT 09095 | 120 | 23 | 67 |
| * 114 | 466,9          | 460,90         | RS 09114 | 80 | 23 | 45 | RD 09114 | 100 | 23 | 63 | RT 09114 | 120 | 23 | 67 |

**Pignoni in ghisa / Cast iron sprockets**  
**Kettenräder aus Gusseisen / Roues en fonte / Rueda en fundicion**



**Ghisa** EN-GJL-250 UNI EN 1561    **Cast iron** EN-GJL-250 UNI EN 1561    **Grauguss** EN-GJL-250 UNI EN 1561    **Fonte** EN-GJL-250 UNI EN 1561    **Hierro fundido** EN-GJL-250 UNI EN 1561

**5/8" x 3/8" - 15,875 x 9,65 mm**

**10B - 1 - 2 - 3 - DIN 8187 ISO/R 606**

| CATENA:           | CHAIN:         | KETTE:        | CHAÎNE:            | CADENA:       | mm     |
|-------------------|----------------|---------------|--------------------|---------------|--------|
| Passo             | Pitch          | Teilung       | Pas                | Paso          | 15,875 |
| Larghezza interna | Internal width | Innere Breite | Largeur interieure | Ancho interno | 9,650  |
| Rullo ø           | Roller ø       | Rollen ø      | ø du rouleau       | Rodillo ø     | 10,160 |

| PIGNONE                     | SPROCKETS                  | KETTENRÄDER               | PIGNONS                         | PIÑONES                     | mm                  |
|-----------------------------|----------------------------|---------------------------|---------------------------------|-----------------------------|---------------------|
| Raggio dente r              | Tooth radius r             | Radius r                  | Rayon de denture r              | Radio diente r              | r 16,0              |
| Larghezza raggio C          | Radius width C             | Breite C                  | Largeur de rayon C              | Ancho radio C               | C 1,6               |
| Largh. dente h <sub>1</sub> | Tooth width h <sub>1</sub> | Zahnbreite h <sub>1</sub> | Larg. de denture h <sub>1</sub> | Ancho diente h <sub>1</sub> | h <sub>1</sub> 9,1  |
| Largh. dente L              | Tooth width L              | Zahnbreite L              | Larg. de denture L              | Ancho diente L              | L 9,0               |
| Largh. dente h <sub>2</sub> | Tooth width h <sub>2</sub> | Zahnbreite h <sub>2</sub> | Larg. de denture h <sub>2</sub> | Ancho diente h <sub>2</sub> | h <sub>2</sub> 25,5 |
| Largh. dente h <sub>3</sub> | Tooth width h <sub>3</sub> | Zahnbreite h <sub>3</sub> | Larg. de denture h <sub>3</sub> | Ancho diente h <sub>3</sub> | h <sub>3</sub> 42,1 |
| Altezza totale H            | Full height H              | Gesamt Höhe H             | Hauteur totale H                | Altura total H              | H -                 |

| Z     | D <sub>s</sub> | D <sub>p</sub> | Simplex  |     |    |    | Duplex   |     |    |    | Triplex  |     |    |    |
|-------|----------------|----------------|----------|-----|----|----|----------|-----|----|----|----------|-----|----|----|
|       |                |                | cod.     | d   | D  | H  | cod.     | d   | D  | H  | cod.     | d   | D  | H  |
| 38    | 199,2          | 192,24         | RS 10038 | 80  | 19 | 40 | RD 10038 | 100 | 29 | 50 | RT 10038 | 100 | 31 | 60 |
| 45    | 235,0          | 227,58         | RS 10045 | 80  | 19 | 40 | RD 10045 | 100 | 29 | 50 | RT 10045 | 100 | 31 | 60 |
| 57    | 296,0          | 288,18         | RS 10057 | 90  | 23 | 45 | RD 10057 | 100 | 29 | 56 | RT 10057 | 100 | 31 | 63 |
| * 76  | 392,1          | 384,16         | RS 10076 | 90  | 23 | 50 | RD 10076 | 100 | 29 | 63 | RT 10076 | 110 | 34 | 67 |
| * 95  | 488,5          | 480,14         | RS 10095 | 100 | 23 | 56 | RD 10095 | 110 | 29 | 63 | RT 10095 | 125 | 34 | 70 |
| * 114 | 584,1          | 576,13         | RS 10114 | 100 | 23 | 56 | RD 10114 | 125 | 29 | 70 | RT 10114 | 125 | 34 | 80 |

**3/4" x 7/16" - 19,05 x 11,68 mm**

**12B - 1 - 2 - 3 - DIN 8187 ISO/R 606**

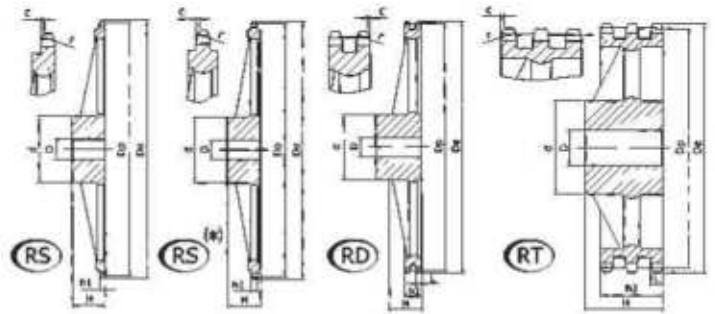
| CATENA:           | CHAIN:         | KETTE:        | CHAÎNE:            | CADENA:       | mm    |
|-------------------|----------------|---------------|--------------------|---------------|-------|
| Passo             | Pitch          | Teilung       | Pas                | Paso          | 19,05 |
| Larghezza interna | Internal width | Innere Breite | Largeur interieure | Ancho interno | 11,68 |
| Rullo ø           | Roller ø       | Rollen ø      | ø du rouleau       | Rodillo ø     | 12,07 |

| PIGNONE                     | SPROCKETS                  | KETTENRÄDER               | PIGNONS                         | PIÑONES                     | mm                  |
|-----------------------------|----------------------------|---------------------------|---------------------------------|-----------------------------|---------------------|
| Raggio dente r              | Tooth radius r             | Radius r                  | Rayon de denture r              | Radio diente r              | r 19,0              |
| Larghezza raggio C          | Radius width C             | Breite C                  | Largeur de rayon C              | Ancho radio C               | C 2,0               |
| Largh. dente h <sub>1</sub> | Tooth width h <sub>1</sub> | Zahnbreite h <sub>1</sub> | Larg. de denture h <sub>1</sub> | Ancho diente h <sub>1</sub> | h <sub>1</sub> 11,1 |
| Largh. dente L              | Tooth width L              | Zahnbreite L              | Larg. de denture L              | Ancho diente L              | L 10,8              |
| Largh. dente h <sub>2</sub> | Tooth width h <sub>2</sub> | Zahnbreite h <sub>2</sub> | Larg. de denture h <sub>2</sub> | Ancho diente h <sub>2</sub> | h <sub>2</sub> 30,3 |
| Largh. dente h <sub>3</sub> | Tooth width h <sub>3</sub> | Zahnbreite h <sub>3</sub> | Larg. de denture h <sub>3</sub> | Ancho diente h <sub>3</sub> | h <sub>3</sub> 49,8 |
| Altezza totale H            | Full height H              | Gesamt Höhe H             | Hauteur totale H                | Altura total H              | H -                 |

| Z     | D <sub>s</sub> | D <sub>p</sub> | Simplex  |     |    |    | Duplex   |     |    |    | Triplex  |     |    |    |
|-------|----------------|----------------|----------|-----|----|----|----------|-----|----|----|----------|-----|----|----|
|       |                |                | cod.     | d   | D  | H  | cod.     | d   | D  | H  | cod.     | d   | D  | H  |
| 38    | 239,0          | 230,69         | RS 11038 | 100 | 23 | 56 | RD 11038 | 110 | 29 | 63 | RT 11038 | 140 | 30 | 70 |
| 45    | 282,5          | 273,10         | RS 11045 | 100 | 23 | 56 | RD 11045 | 110 | 29 | 63 | RT 11045 | 140 | 30 | 70 |
| 57    | 355,4          | 345,81         | RS 11057 | 100 | 29 | 56 | RD 11057 | 120 | 29 | 63 | RT 11057 | 140 | 39 | 70 |
| * 76  | 469,9          | 460,99         | RS 11076 | 100 | 29 | 56 | RD 11076 | 135 | 29 | 63 | RT 11076 | 160 | 39 | 75 |
| * 95  | 585,1          | 576,17         | RS 11095 | 100 | 29 | 65 | RD 11095 | 135 | 29 | 70 | RT 11095 | 170 | 39 | 82 |
| * 114 | 700,6          | 691,36         | RS 11114 | 100 | 29 | 65 | RD 11114 | 135 | 29 | 70 | RT 11114 | 170 | 49 | 82 |



**Pignoni in ghisa / Cast iron sprockets**  
**Kettenräder aus Gusseisen / Roues en fonte / Rueda en fundicion**



**Ghisa** EN-GJL-250 UNI EN 1561    **Cast iron** EN-GJL-250 UNI EN 1561    **Grauguss** EN-GJL-250 UNI EN 1561    **Fonte** EN-GJL-250 UNI EN 1561    **Hierro fundido** EN-GJL-250 UNI EN 1561

**1" x 17,02 mm - 25,4 x 17,02 mm**

**16B - 1 - 2 - 3 - DIN 8187 ISO/R 606**

| CATENA:           | CHAIN:         | KETTE:        | CHAÎNE:            | CADENA:       | mm    |
|-------------------|----------------|---------------|--------------------|---------------|-------|
| Passo             | Pitch          | Teilung       | Pas                | Paso          | 25,40 |
| Larghezza interna | Internal width | Innere Breite | Largeur intérieure | Ancho interno | 17,02 |
| Rullo ø           | Roller ø       | Rollen ø      | ø du rouleau       | Rodillo ø     | 15,88 |

| PIGNONE                     | SPROCKETS                  | KETTENRÄDER               | PIGNONS                         | PIÑONES                     | mm                  |
|-----------------------------|----------------------------|---------------------------|---------------------------------|-----------------------------|---------------------|
| Raggio dente r              | Tooth radius r             | Radius r                  | Rayon de denture r              | Radio diente r              | r 26,0              |
| Larghezza raggio C          | Radius width C             | Breite C                  | Largeur de rayon C              | Ancho radio C               | C 2,5               |
| Largh. dente h <sub>1</sub> | Tooth width h <sub>1</sub> | Zahnbreite h <sub>1</sub> | Larg. de denture h <sub>1</sub> | Ancho diente h <sub>1</sub> | h <sub>1</sub> 16,2 |
| Largh. dente L              | Tooth width L              | Zahnbreite L              | Larg. de denture L              | Ancho diente L              | L 15,8              |
| Largh. dente h <sub>2</sub> | Tooth width h <sub>2</sub> | Zahnbreite h <sub>2</sub> | Larg. de denture h <sub>2</sub> | Ancho diente h <sub>2</sub> | h <sub>2</sub> 47,7 |
| Largh. dente h <sub>3</sub> | Tooth width h <sub>3</sub> | Zahnbreite h <sub>3</sub> | Larg. de denture h <sub>3</sub> | Ancho diente h <sub>3</sub> | h <sub>3</sub> 79,6 |
| Altezza totale H            | Full height H              | Gesamt Höhe H             | Hauteur totale H                | Altura total H              | H -                 |

| Z     | D <sub>s</sub> | D <sub>p</sub> | Simplex  |     |    | Duplex |          |     | Triplex |    |          |     |    |     |
|-------|----------------|----------------|----------|-----|----|--------|----------|-----|---------|----|----------|-----|----|-----|
|       |                |                | cod.     | d   | D  | H      | cod.     | d   | D       | H  | cod.     | d   | D  | H   |
| 38    | 320,0          | 307,59         | RS 12038 | 110 | 29 | 65     | RD 12038 | 140 | 39      | 75 | RT 12038 | 160 | 44 | 100 |
| 45    | 377,1          | 364,12         | RS 12045 | 125 | 29 | 70     | RD 12045 | 150 | 39      | 75 | RT 12045 | 160 | 44 | 100 |
| 57    | 474,0          | 461,07         | RS 12057 | 125 | 34 | 70     | RD 12057 | 170 | 39      | 90 | RT 12057 | 165 | 44 | 100 |
| 76    | 627,0          | 614,65         | RS 12076 | 140 | 34 | 80     | RD 12076 | 175 | 39      | 95 | RT 12076 | 200 | 44 | 110 |
| 95    | 781,1          | 768,22         | RS 12095 | 140 | 39 | 80     | RD 12095 | 175 | 44      | 95 | RT 12095 | 200 | 49 | 110 |
| * 114 | 934,3          | 921,81         | RS 12114 | 140 | 39 | 80     | RD 12114 | 175 | 44      | 95 | RT 12114 | 200 | 49 | 115 |

**1"1/4 x 3/4" - 31,75 x 19,56 mm**

**20B - 1 - 2 - 3 - DIN 8187 ISO/R 606**

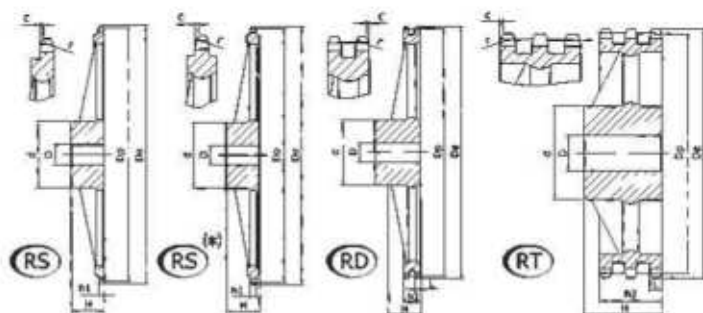
| CATENA:           | CHAIN:         | KETTE:        | CHAÎNE:            | CADENA:       | mm    |
|-------------------|----------------|---------------|--------------------|---------------|-------|
| Passo             | Pitch          | Teilung       | Pas                | Paso          | 31,75 |
| Larghezza interna | Internal width | Innere Breite | Largeur intérieure | Ancho interno | 19,56 |
| Rullo ø           | Roller ø       | Rollen ø      | ø du rouleau       | Rodillo ø     | 19,05 |

| PIGNONE                     | SPROCKETS                  | KETTENRÄDER               | PIGNONS                         | PIÑONES                     | mm                  |
|-----------------------------|----------------------------|---------------------------|---------------------------------|-----------------------------|---------------------|
| Raggio dente r              | Tooth radius r             | Radius r                  | Rayon de denture r              | Radio diente r              | r 32,0              |
| Larghezza raggio C          | Radius width C             | Breite C                  | Largeur de rayon C              | Ancho radio C               | C 3,5               |
| Largh. dente h <sub>1</sub> | Tooth width h <sub>1</sub> | Zahnbreite h <sub>1</sub> | Larg. de denture h <sub>1</sub> | Ancho diente h <sub>1</sub> | h <sub>1</sub> 18,5 |
| Largh. dente L              | Tooth width L              | Zahnbreite L              | Larg. de denture L              | Ancho diente L              | L 18,2              |
| Largh. dente h <sub>2</sub> | Tooth width h <sub>2</sub> | Zahnbreite h <sub>2</sub> | Larg. de denture h <sub>2</sub> | Ancho diente h <sub>2</sub> | h <sub>2</sub> 54,6 |
| Largh. dente h <sub>3</sub> | Tooth width h <sub>3</sub> | Zahnbreite h <sub>3</sub> | Larg. de denture h <sub>3</sub> | Ancho diente h <sub>3</sub> | h <sub>3</sub> 91,0 |
| Altezza totale H            | Full height H              | Gesamt Höhe H             | Hauteur totale H                | Altura total H              | H -                 |

| Z  | D <sub>s</sub> | D <sub>p</sub> | Simplex  |     |    | Duplex |          |     | Triplex |     |          |     |    |     |
|----|----------------|----------------|----------|-----|----|--------|----------|-----|---------|-----|----------|-----|----|-----|
|    |                |                | cod.     | d   | D  | H      | cod.     | d   | D       | H   | cod.     | d   | D  | H   |
| 38 | 399,6          | 384,49         | RS 13038 | 125 | 35 | 70     | RD 13038 | 140 | 44      | 90  | RT 13038 | 180 | 56 | 110 |
| 45 | 470,3          | 455,17         | RS 13045 | 125 | 35 | 70     | RD 13045 | 140 | 44      | 90  | RT 13045 | 180 | 56 | 110 |
| 57 | 591,5          | 576,36         | RS 13057 | 135 | 40 | 80     | RD 13057 | 160 | 50      | 100 | RT 13057 | 180 | 60 | 125 |
| 76 | 783,5          | 768,32         | RS 13076 | 140 | 40 | 90     | RD 13076 | 180 | 50      | 100 | RT 13076 | 200 | 60 | 140 |

**Pignoni in ghisa / Cast iron sprockets**  
**Kettenräder aus Gusseisen / Roues en fonte / Rueda en fundicion**



**Ghisa** EN-GJL-250 UNI EN 1561    **Cast iron** EN-GJL-250 UNI EN 1561    **Grauguss** EN-GJL-250 UNI EN 1561    **Fonte** EN-GJL-250 UNI EN 1561    **Hierro fundido** EN-GJL-250 UNI EN 1561

**1"1/2 x 1" - 38,1 x 25,4 mm**

**24B - 1 - 2 - 3 - DIN 8187 ISO/R 606**

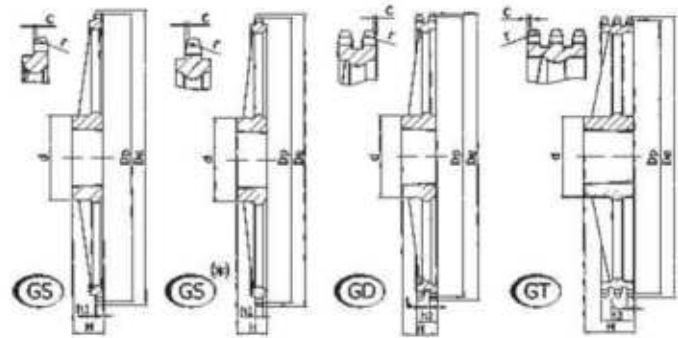
| CATENA:           | CHAIN:         | KETTE:        | CHAÎNE:            | CADENA:       | mm   |
|-------------------|----------------|---------------|--------------------|---------------|------|
| Passo             | Pitch          | Teilung       | Pas                | Paso          | 38,1 |
| Larghezza interna | Internal width | Innere Breite | Largeur interieure | Ancho interno | 25,4 |
| Rullo ø           | Roller ø       | Rollen ø      | ø du rouleau       | Rodillo ø     | 25,4 |

| PIGNONE                     | SPROCKETS                  | KETTENRÄDER               | PIGNONS                         | PIÑONES                     | mm                   |
|-----------------------------|----------------------------|---------------------------|---------------------------------|-----------------------------|----------------------|
| Raggio dente r              | Tooth radius r             | Radius r                  | Rayon de denture r              | Radio diente r              | r 38,0               |
| Larghezza raggio C          | Radius width C             | Breite C                  | Largeur de rayon C              | Ancho radio C               | C 4,0                |
| Largh. dente h <sub>1</sub> | Tooth width h <sub>1</sub> | Zahnbreite h <sub>1</sub> | Larg. de denture h <sub>1</sub> | Ancho diente h <sub>1</sub> | h <sub>1</sub> 24,1  |
| Largh. dente L              | Tooth width L              | Zahnbreite L              | Larg. de denture L              | Ancho diente L              | L 23,6               |
| Largh. dente h <sub>2</sub> | Tooth width h <sub>2</sub> | Zahnbreite h <sub>2</sub> | Larg. de denture h <sub>2</sub> | Ancho diente h <sub>2</sub> | h <sub>2</sub> 72,0  |
| Largh. dente h <sub>3</sub> | Tooth width h <sub>3</sub> | Zahnbreite h <sub>3</sub> | Larg. de denture h <sub>3</sub> | Ancho diente h <sub>3</sub> | h <sub>3</sub> 120,3 |
| Altezza totale H            | Full height H              | Gesamt Höhe H             | Hauteur totale H                | Altura total H              | H -                  |

| Z    | D <sub>s</sub> | D <sub>p</sub> | Simplex  |     |    | Duplex |          |     | Triplex |     |          |     |    |     |
|------|----------------|----------------|----------|-----|----|--------|----------|-----|---------|-----|----------|-----|----|-----|
|      |                |                | cod.     | d   | D  | H      | cod.     | d   | D       | H   | cod.     | d   | D  | H   |
| 38   | 476,2          | 461,39         | RS 14038 | 140 | 45 | 90     | RD 14038 | 180 | 45      | 100 | RT 14038 | 200 | 60 | 150 |
| 45   | 561,2          | 546,20         | RS 14045 | 140 | 45 | 90     | RD 14045 | 180 | 45      | 100 | RT 14045 | 200 | 60 | 150 |
| 57   | 706,5          | 691,63         | RS 14057 | 160 | 45 | 100    | RD 14057 | 200 | 55      | 110 | RT 14057 | 200 | 70 | 150 |
| 76   | 936,9          | 921,98         | RS 14076 | 170 | 45 | 100    | RD 14076 | 220 | 55      | 120 | RT 14076 | 250 | 70 | 150 |
| * 95 | 1167,3         | 1152,33        | RS 14095 | 200 | 50 | 125    | RD 14095 | 220 | 55      | 140 |          |     |    |     |



**Pignoni in ghisa per bussola / Taper bored cast iron sprockets**  
**Kettenräder aus Gusseisen für Spannbuchsen / Roues en fonte à moyeu amovible**  
**Rueda en fundicion para casquillos conicos**



**Ghisa** EN-GJL-250 UNI EN 1561    **Cast iron** EN-GJL-250 UNI EN 1561    **Grauguss** EN-GJL-250 UNI EN 1561    **Fonte** EN-GJL-250 UNI EN 1561    **Hierro fundido** EN-GJL-250 UNI EN 1561

**3/8" x 7/32" - 9,525 x 5,72 mm**

**06B - 1 - 2 - 3 - DIN 8187 ISO/R 606**

| CATENA:                     | CHAIN:                     | KETTE:                    | CHAÎNE:                         | CADENA:                     | mm                        |
|-----------------------------|----------------------------|---------------------------|---------------------------------|-----------------------------|---------------------------|
| Passo                       | Pitch                      | Teilung                   | Pas                             | Paso                        | <b>9,525</b>              |
| Larghezza interna           | Internal width             | Innere Breite             | Largeur interieure              | Ancho interno               | <b>5,720</b>              |
| Rullo ø                     | Roller ø                   | Rollen ø                  | ø du rouleau                    | Rodillo ø                   | <b>6,350</b>              |
| PIGNONE                     | SPROCKETS                  | KETTENRÄDER               | PIGNONS                         | PIÑONES                     | mm                        |
| Raggio dente r              | Tooth radius r             | Radius r                  | Rayon de denture r              | Radio diente r              | <b>r 10,0</b>             |
| Larghezza raggio C          | Radius width C             | Breite C                  | Largeur de rayon C              | Ancho radio C               | <b>C 1,0</b>              |
| Largh. dente h <sub>1</sub> | Tooth width h <sub>1</sub> | Zahnbreite h <sub>1</sub> | Larg. de denture h <sub>1</sub> | Ancho diente h <sub>1</sub> | <b>h<sub>1</sub> 5,3</b>  |
| Largh. dente L              | Tooth width L              | Zahnbreite L              | Larg. de denture L              | Ancho diente L              | <b>L 5,2</b>              |
| Largh. dente h <sub>2</sub> | Tooth width h <sub>2</sub> | Zahnbreite h <sub>2</sub> | Larg. de denture h <sub>2</sub> | Ancho diente h <sub>2</sub> | <b>h<sub>2</sub> 15,4</b> |
| Largh. dente h <sub>3</sub> | Tooth width h <sub>3</sub> | Zahnbreite h <sub>3</sub> | Larg. de denture h <sub>3</sub> | Ancho diente h <sub>3</sub> | <b>h<sub>3</sub> 25,6</b> |
| Altezza totale H            | Full height H              | Gesamt Höhe H             | Hauteur totale H                | Altura total H              | <b>H -</b>                |

| Z     | D <sub>e</sub> | D <sub>p</sub> | Simplex  |    |    |   | Duplex   |    |    |   | Triplex  |     |    |   |
|-------|----------------|----------------|----------|----|----|---|----------|----|----|---|----------|-----|----|---|
|       |                |                | cod.     | d  | H  | per Bussola for Bush für Buchse pour Moyeux amovibles para Casquillos cónicos | cod.     | d  | H  | per Bussola for Bush für Buchse pour Moyeux amovibles para Casquillos cónicos | cod.     | d   | H  | per Bussola for Bush für Buchse pour Moyeux amovibles para Casquillos cónicos |
| 45    | 140,7          | 136,54         | GS 05045 | 70 | 25 | 1210  | GD 05045 | 80 | 25 | 1610  | GT 05045 | 80  | 38 | 1615  |
| 57    | 176,9          | 172,91         | GS 05057 | 83 | 25 | 1210  | GD 05057 | 90 | 25 | 1610  | GT 05057 | 90  | 38 | 1615  |
| 76    | 234,9          | 230,49         | GS 05076 | 83 | 25 | 1210  | GD 05076 | 90 | 25 | 1610  | GT 05076 | 111 | 32 | 2012  |
| 95    | 292,5          | 288,08         | GS 05095 | 83 | 25 | 1210  | GD 05095 | 90 | 25 | 1610  | GT 05095 | 111 | 32 | 2012  |
| * 114 | 349,6          | 345,68         | GS 05114 | 83 | 38 | 1215  | GD 05114 | 90 | 38 | 1615  | GT 05114 | 111 | 32 | 2012  |

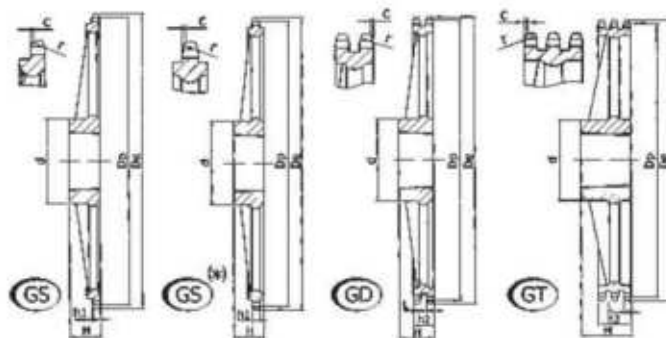
**1/2" x 5/16" - 12,7 x 7,75 mm**

**08B - 1 - 2 - 3 - DIN 8187 ISO/R 606**

| CATENA:                     | CHAIN:                     | KETTE:                    | CHAÎNE:                         | CADENA:                     | mm                        |
|-----------------------------|----------------------------|---------------------------|---------------------------------|-----------------------------|---------------------------|
| Passo                       | Pitch                      | Teilung                   | Pas                             | Paso                        | <b>12,70</b>              |
| Larghezza interna           | Internal width             | Innere Breite             | Largeur interieure              | Ancho interno               | <b>7,75</b>               |
| Rullo ø                     | Roller ø                   | Rollen ø                  | ø du rouleau                    | Rodillo ø                   | <b>8,51</b>               |
| PIGNONE                     | SPROCKETS                  | KETTENRÄDER               | PIGNONS                         | PIÑONES                     | mm                        |
| Raggio dente r              | Tooth radius r             | Radius r                  | Rayon de denture r              | Radio diente r              | <b>r 13,0</b>             |
| Larghezza raggio C          | Radius width C             | Breite C                  | Largeur de rayon C              | Ancho radio C               | <b>C 1,3</b>              |
| Largh. dente h <sub>1</sub> | Tooth width h <sub>1</sub> | Zahnbreite h <sub>1</sub> | Larg. de denture h <sub>1</sub> | Ancho diente h <sub>1</sub> | <b>h<sub>1</sub> 7,2</b>  |
| Largh. dente L              | Tooth width L              | Zahnbreite L              | Larg. de denture L              | Ancho diente L              | <b>L 7,0</b>              |
| Largh. dente h <sub>2</sub> | Tooth width h <sub>2</sub> | Zahnbreite h <sub>2</sub> | Larg. de denture h <sub>2</sub> | Ancho diente h <sub>2</sub> | <b>h<sub>2</sub> 21,0</b> |
| Largh. dente h <sub>3</sub> | Tooth width h <sub>3</sub> | Zahnbreite h <sub>3</sub> | Larg. de denture h <sub>3</sub> | Ancho diente h <sub>3</sub> | <b>h<sub>3</sub> 34,9</b> |
| Altezza totale H            | Full height H              | Gesamt Höhe H             | Hauteur totale H                | Altura total H              | <b>H -</b>                |

| Z     | D <sub>e</sub> | D <sub>p</sub> | Simplex  |     |    |   | Duplex   |     |    |   | Triplex  |     |    |   |
|-------|----------------|----------------|----------|-----|----|---|----------|-----|----|---|----------|-----|----|---|
|       |                |                | cod.     | d   | H  | per Bussola for Bush für Buchse pour Moyeux amovibles para Casquillos cónicos | cod.     | d   | H  | per Bussola for Bush für Buchse pour Moyeux amovibles para Casquillos cónicos | cod.     | d   | H  | per Bussola for Bush für Buchse pour Moyeux amovibles para Casquillos cónicos |
| 45    | 188,0          | 182,07         | GS 09045 | 100 | 32 | 2012  | GD 09045 | 100 | 32 | 2012  | GT 09045 | 118 | 45 | 2517  |
| 57    | 236,4          | 230,54         | GS 09057 | 111 | 32 | 2012  | GD 09057 | 111 | 32 | 2012  | GT 09057 | 124 | 45 | 2517  |
| 76    | 313,3          | 307,33         | GS 09076 | 111 | 32 | 2012  | GD 09076 | 111 | 32 | 2012  | GT 09076 | 124 | 45 | 2517  |
| 95    | 390,1          | 384,11         | GS 09095 | 111 | 32 | 2012  | GD 09095 | 111 | 32 | 2012  | GT 09095 | 160 | 51 | 3020  |
| * 114 | 466,9          | 460,90         | GS 09114 | 124 | 45 | 2517  | GD 09114 | 124 | 45 | 2517  | GT 09114 | 160 | 51 | 3020  |

**Pignoni in ghisa per bussola / Taper bored cast iron sprockets**  
**Kettenräder aus Gusseisen für Spannbuchsen / Roues en fonte à moyeu amovible**  
**Rueda en fundicion para casquillos cónicos**



**Ghisa** EN-GJL-250 UNI EN 1561    **Cast iron** EN-GJL-250 UNI EN 1561    **Grauguss** EN-GJL-250 UNI EN 1561    **Fonte** EN-GJL-250 UNI EN 1561    **Hierro fundido** EN-GJL-250 UNI EN 1561

**5/8" x 3/8" - 15,875 x 9,65 mm**

**10B - 1 - 2 - 3 - DIN 8187 ISO/R 606**

| CATENA:                     | CHAIN:                     | KETTE:                    | CHAÎNE:                         | CADENA:                     | mm                  |
|-----------------------------|----------------------------|---------------------------|---------------------------------|-----------------------------|---------------------|
| Passo                       | Pitch                      | Teilung                   | Pas                             | Paso                        | 15,875              |
| Larghezza interna           | Internal width             | Innere Breite             | Largeur interieure              | Ancho interno               | 9,650               |
| Rullo ø                     | Roller ø                   | Rollen ø                  | ø du rouleau                    | Rodillo ø                   | 10,160              |
| PIGNONE                     | SPROCKETS                  | KETTENRÄDER               | PIGNONS                         | PIÑONES                     | mm                  |
| Raggio dente r              | Tooth radius r             | Radius r                  | Rayon de denture r              | Radio diente r              | r 16,0              |
| Larghezza raggio C          | Radius width C             | Breite C                  | Largeur de rayon C              | Ancho radio C               | C 1,6               |
| Largh. dente h <sub>1</sub> | Tooth width h <sub>1</sub> | Zahnbreite h <sub>1</sub> | Larg. de denture h <sub>1</sub> | Ancho diente h <sub>1</sub> | h <sub>1</sub> 9,1  |
| Largh. dente L              | Tooth width L              | Zahnbreite L              | Larg. de denture L              | Ancho diente L              | L 9,0               |
| Largh. dente h <sub>2</sub> | Tooth width h <sub>2</sub> | Zahnbreite h <sub>2</sub> | Larg. de denture h <sub>2</sub> | Ancho diente h <sub>2</sub> | h <sub>2</sub> 25,5 |
| Largh. dente h <sub>3</sub> | Tooth width h <sub>3</sub> | Zahnbreite h <sub>3</sub> | Larg. de denture h <sub>3</sub> | Ancho diente h <sub>3</sub> | h <sub>3</sub> 42,1 |
| Altezza totale H            | Full height H              | Gesamt Höhe H             | Hauteur totale H                | Altura total H              | H -                 |

| Z    | D <sub>e</sub> | D <sub>f</sub> | Simplex  |     |    | Duplex |          |     | Triplex |      |          |     |    |      |
|------|----------------|----------------|----------|-----|----|--------|----------|-----|---------|------|----------|-----|----|------|
|      |                |                | cod.     | d   | H  | cod.   | d        | H   | cod.    | d    | H        |     |    |      |
| 45   | 235,0          | 227,58         | GS 10045 | 100 | 32 | 2012   | GD 10045 | 110 | 45      | 2517 | GT 10045 | 118 | 64 | 2525 |
| 57   | 296,0          | 288,18         | GS 10057 | 111 | 32 | 2012   | GD 10057 | 124 | 45      | 2517 | GT 10057 | 160 | 51 | 3020 |
| 76   | 392,1          | 384,16         | GS 10076 | 111 | 32 | 2012   | GD 10076 | 160 | 51      | 3020 | GT 10076 | 160 | 51 | 3020 |
| *95  | 488,5          | 480,14         | GS 10095 | 124 | 45 | 2517   | GD 10095 | 160 | 51      | 3020 | GT 10095 | 160 | 51 | 3020 |
| *114 | 584,1          | 576,13         | GS 10114 | 124 | 45 | 2517   | GD 10114 | 160 | 51      | 3020 | GT 10114 | 160 | 51 | 3020 |

**3/4" x 7/16" - 19,05 x 11,68 mm**

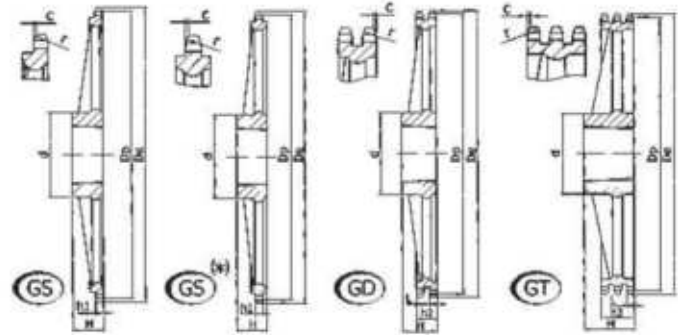
**12B - 1 - 2 - 3 - DIN 8187 ISO/R 606**

| CATENA:                     | CHAIN:                     | KETTE:                    | CHAÎNE:                         | CADENA:                     | mm                  |
|-----------------------------|----------------------------|---------------------------|---------------------------------|-----------------------------|---------------------|
| Passo                       | Pitch                      | Teilung                   | Pas                             | Paso                        | 19,05               |
| Larghezza interna           | Internal width             | Innere Breite             | Largeur interieure              | Ancho interno               | 11,68               |
| Rullo ø                     | Roller ø                   | Rollen ø                  | ø du rouleau                    | Rodillo ø                   | 12,07               |
| PIGNONE                     | SPROCKETS                  | KETTENRÄDER               | PIGNONS                         | PIÑONES                     | mm                  |
| Raggio dente r              | Tooth radius r             | Radius r                  | Rayon de denture r              | Radio diente r              | r 19,0              |
| Larghezza raggio C          | Radius width C             | Breite C                  | Largeur de rayon C              | Ancho radio C               | C 2,0               |
| Largh. dente h <sub>1</sub> | Tooth width h <sub>1</sub> | Zahnbreite h <sub>1</sub> | Larg. de denture h <sub>1</sub> | Ancho diente h <sub>1</sub> | h <sub>1</sub> 11,1 |
| Largh. dente L              | Tooth width L              | Zahnbreite L              | Larg. de denture L              | Ancho diente L              | L 10,8              |
| Largh. dente h <sub>2</sub> | Tooth width h <sub>2</sub> | Zahnbreite h <sub>2</sub> | Larg. de denture h <sub>2</sub> | Ancho diente h <sub>2</sub> | h <sub>2</sub> 30,3 |
| Largh. dente h <sub>3</sub> | Tooth width h <sub>3</sub> | Zahnbreite h <sub>3</sub> | Larg. de denture h <sub>3</sub> | Ancho diente h <sub>3</sub> | h <sub>3</sub> 49,8 |
| Altezza totale H            | Full height H              | Gesamt Höhe H             | Hauteur totale H                | Altura total H              | H -                 |

| Z    | D <sub>e</sub> | D <sub>f</sub> | Simplex  |     |    | Duplex |          |     | Triplex |      |          |     |    |      |
|------|----------------|----------------|----------|-----|----|--------|----------|-----|---------|------|----------|-----|----|------|
|      |                |                | cod.     | d   | H  | cod.   | d        | H   | cod.    | d    | H        |     |    |      |
| *45  | 282,5          | 273,10         | GS 11045 | 118 | 45 | 2517   | GD 11045 | 154 | 51      | 3020 | GT 11045 | 160 | 51 | 3020 |
| *57  | 355,4          | 345,81         | GS 11057 | 124 | 45 | 2517   | GD 11057 | 160 | 51      | 3020 | GT 11057 | 160 | 51 | 3020 |
| *76  | 469,9          | 460,99         | GS 11076 | 124 | 45 | 2517   | GD 11076 | 160 | 51      | 3020 | GT 11076 | 160 | 51 | 3020 |
| *95  | 585,1          | 576,17         | GS 11095 | 124 | 45 | 2517   | GD 11095 | 160 | 51      | 3020 | GT 11095 | 160 | 76 | 3030 |
| *114 | 700,6          | 691,36         | GS 11114 | 124 | 64 | 2517   | GD 11114 | 160 | 76      | 3030 | GT 11114 | 160 | 76 | 3030 |



**Pignoni in ghisa per bussola / Taper bored cast iron sprockets**  
**Kettenräder aus Gusseisen für Spannbuchsen / Roues en fonte à moyeu amovible**  
**Rueda en fundición para casquillos conicos**



**Ghisa** EN-GJL-250 UNI EN 1561    **Cast iron** EN-GJL-250 UNI EN 1561    **Grauguss** EN-GJL-250 UNI EN 1561    **Fonte** EN-GJL-250 UNI EN 1561    **Hierro fundido** EN-GJL-250 UNI EN 1561

**1" x 17,02 mm - 25,4 x 17,02 mm**

**16B - 1 - 2 - 3 - DIN 8187 ISO/R 606**

| CATENA:                     | CHAIN:                     | KETTE:                    | CHAÎNE:                         | CADENA:                     | mm                  |
|-----------------------------|----------------------------|---------------------------|---------------------------------|-----------------------------|---------------------|
| Passo                       | Pitch                      | Teilung                   | Pas                             | Paso                        | 25,40               |
| Larghezza interna           | Internal width             | Innere Breite             | Largeur interieure              | Ancho interno               | 17,02               |
| Rullo ø                     | Roller ø                   | Rollen ø                  | ø du rouleau                    | Rodillo ø                   | 15,88               |
| PIGNONE                     | SPROCKETS                  | KETTENRÄDER               | PIGNONS                         | PIÑONES                     | mm                  |
| Raggio dente r              | Tooth radius r             | Radius r                  | Rayon de denture r              | Radio diente r              | r 26,0              |
| Larghezza raggio C          | Radius width C             | Breite C                  | Largeur de rayon C              | Ancho radio C               | C 2,5               |
| Largh. dente h <sub>1</sub> | Tooth width h <sub>1</sub> | Zahnbreite h <sub>1</sub> | Larg. de denture h <sub>1</sub> | Ancho diente h <sub>1</sub> | h <sub>1</sub> 16,2 |
| Largh. dente L              | Tooth width L              | Zahnbreite L              | Larg. de denture L              | Ancho diente L              | L 15,8              |
| Largh. dente h <sub>2</sub> | Tooth width h <sub>2</sub> | Zahnbreite h <sub>2</sub> | Larg. de denture h <sub>2</sub> | Ancho diente h <sub>2</sub> | h <sub>2</sub> 47,7 |
| Largh. dente h <sub>3</sub> | Tooth width h <sub>3</sub> | Zahnbreite h <sub>3</sub> | Larg. de denture h <sub>3</sub> | Ancho diente h <sub>3</sub> | h <sub>3</sub> 79,6 |
| Altezza totale H            | Full height H              | Gesamt Höhe H             | Hauteur totale H                | Altura total H              | H -                 |

| Z     | D <sub>e</sub> | D <sub>p</sub> | Simplex  |     |    | Duplex |          |     |   | Triplex |          |     |   |      |
|-------|----------------|----------------|----------|-----|----|--------|----------|-----|---|---------|----------|-----|---|------|
|       |                |                | cod.     | d   | H  | cod.   | d        | H   | per Bussola for Bush für Buchse pour Moyeux amovibles para Casquillos cónicos | cod.    | d        | H   | per Bussola for Bush für Buchse pour Moyeux amovibles para Casquillos cónicos |      |
| * 38  | 320,0          | 307,59         | GS 12038 | 160 | 51 | 3020   | GD 12038 | 160 | 76  | 3030    | GT 12038 | 178 | 89  | 3535 |
| * 45  | 377,1          | 364,12         | GS 12045 | 160 | 51 | 3020   | GD 12045 | 160 | 76  | 3030    | GT 12045 | 216 | 102   | 4040 |
| * 57  | 474,0          | 461,07         | GS 12057 | 160 | 51 | 3020   | GD 12057 | 175 | 89  | 3535    | GT 12057 | 216 | 102   | 4040 |
| * 76  | 627,0          | 614,65         | GS 12076 | 160 | 51 | 3020   | GD 12076 | 175 | 89  | 3535    | GT 12076 | 216 | 102   | 4040 |
| * 95  | 781,1          | 768,22         | GS 12095 | 160 | 51 | 3020   | GD 12095 | 215 | 102   | 4040    | GT 12095 | 240 | 102   | 4040 |
| * 114 | 934,3          | 921,81         | GS 12114 | 160 | 76 | 3030   | GD 12114 | 215 | 102   | 4040    | GT 12114 | 260 | 114   | 4545 |

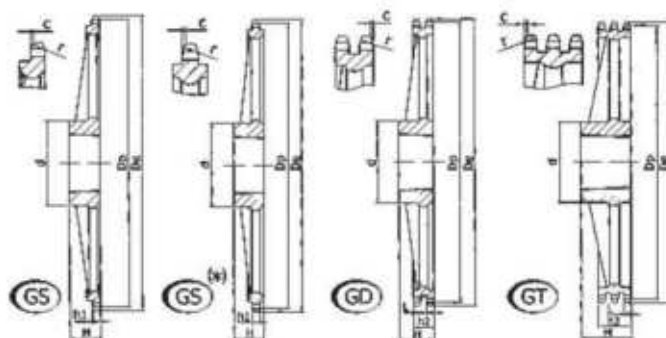
**1" 1/4 x 3/4" - 31,75 x 19,56 mm**

**20B - 1 - 2 - 3 - DIN 8187 ISO/R 606**

| CATENA:                     | CHAIN:                     | KETTE:                    | CHAÎNE:                         | CADENA:                     | mm                  |
|-----------------------------|----------------------------|---------------------------|---------------------------------|-----------------------------|---------------------|
| Passo                       | Pitch                      | Teilung                   | Pas                             | Paso                        | 31,75               |
| Larghezza interna           | Internal width             | Innere Breite             | Largeur interieure              | Ancho interno               | 19,56               |
| Rullo ø                     | Roller ø                   | Rollen ø                  | ø du rouleau                    | Rodillo ø                   | 19,05               |
| PIGNONE                     | SPROCKETS                  | KETTENRÄDER               | PIGNONS                         | PIÑONES                     | mm                  |
| Raggio dente r              | Tooth radius r             | Radius r                  | Rayon de denture r              | Radio diente r              | r 32,0              |
| Larghezza raggio C          | Radius width C             | Breite C                  | Largeur de rayon C              | Ancho radio C               | C 3,5               |
| Largh. dente h <sub>1</sub> | Tooth width h <sub>1</sub> | Zahnbreite h <sub>1</sub> | Larg. de denture h <sub>1</sub> | Ancho diente h <sub>1</sub> | h <sub>1</sub> 18,5 |
| Largh. dente L              | Tooth width L              | Zahnbreite L              | Larg. de denture L              | Ancho diente L              | L 18,2              |
| Largh. dente h <sub>2</sub> | Tooth width h <sub>2</sub> | Zahnbreite h <sub>2</sub> | Larg. de denture h <sub>2</sub> | Ancho diente h <sub>2</sub> | h <sub>2</sub> 54,6 |
| Largh. dente h <sub>3</sub> | Tooth width h <sub>3</sub> | Zahnbreite h <sub>3</sub> | Larg. de denture h <sub>3</sub> | Ancho diente h <sub>3</sub> | h <sub>3</sub> 91,0 |
| Altezza totale H            | Full height H              | Gesamt Höhe H             | Hauteur totale H                | Altura total H              | H -                 |

| Z     | D <sub>e</sub> | D <sub>p</sub> | Simplex  |     |     | Duplex |          |     |   | Triplex |          |     |   |      |
|-------|----------------|----------------|----------|-----|-----|--------|----------|-----|---|---------|----------|-----|---|------|
|       |                |                | cod.     | d   | H   | cod.   | d        | H   | per Bussola for Bush für Buchse pour Moyeux amovibles para Casquillos cónicos | cod.    | d        | H   | per Bussola for Bush für Buchse pour Moyeux amovibles para Casquillos cónicos |      |
| * 38  | 399,6          | 384,49         | GS 13038 | 160 | 51  | 3020   | GD 13038 | 160 | 76  | 3030    | GT 13038 | 178 | 89  | 3535 |
| * 45  | 470,3          | 455,17         | GS 13045 | 160 | 51  | 3020   | GD 13045 | 160 | 76  | 3030    | GT 13045 | 216 | 102   | 4040 |
| * 57  | 591,5          | 576,36         | GS 13057 | 160 | 51  | 3020   | GD 13057 | 175 | 89  | 3535    | GT 13057 | 216 | 102   | 4040 |
| * 76  | 783,5          | 768,32         | GS 13076 | 160 | 51  | 3020   | GD 13076 | 175 | 89  | 3535    | GT 13076 | 240 | 102   | 4040 |
| * 95  | 975,2          | 960,28         | GS 13095 | 160 | 76  | 3030   | GD 13095 | 240 | 102   | 4040    | GT 13095 | 260 | 114   | 4545 |
| * 114 | 1167,4         | 1152,26        | GS 13114 | 240 | 102 | 4040   | GD 13114 | 260 | 114   | 4545    | GT 13114 | 278 | 127   | 5050 |

**Pignoni in ghisa per bussola / Taper bored cast iron sprockets**  
**Kettenräder aus Gusseisen für Spannbuchsen / Roues en fonte à moyeu amovible**  
**Rueda en fundicion para casquillos conicos**



**Ghisa** EN-GJL-250 UNI EN 1561    **Cast iron** EN-GJL-250 UNI EN 1561    **Grauguss** EN-GJL-250 UNI EN 1561    **Fonte** EN-GJL-250 UNI EN 1561    **Hierro fundido** EN-GJL-250 UNI EN 1561

**1"1/2 x 1" - 38,1 x 25,4 mm**

**24B - 1 - 2 - 3 - DIN 8187 ISO/R 606**

| CATENA:                     | CHAIN:                     | KETTE:                    | CHAÎNE:                         | CADENA:                     | mm                   |
|-----------------------------|----------------------------|---------------------------|---------------------------------|-----------------------------|----------------------|
| Passo                       | Pitch                      | Teilung                   | Pas                             | Paso                        | 38,1                 |
| Larghezza interna           | Internal width             | Innere Breite             | Largeur interieure              | Ancho interno               | 25,4                 |
| Rullo ø                     | Roller ø                   | Rollen ø                  | ø du rouleau                    | Rodillo ø                   | 25,4                 |
| PIGNONE                     | SPROCKETS                  | KETTENRÄDER               | PIGNONS                         | PIÑONES                     | mm                   |
| Raggio dente r              | Tooth radius r             | Radius r                  | Rayon de denture r              | Radio diente r              | r 38,0               |
| Larghezza raggio C          | Radius width C             | Breite C                  | Largeur de rayon C              | Ancho radio C               | C 4,0                |
| Largh. dente h <sub>1</sub> | Tooth width h <sub>1</sub> | Zahnbreite h <sub>1</sub> | Larg. de denture h <sub>1</sub> | Ancho diente h <sub>1</sub> | h <sub>1</sub> 24,1  |
| Largh. dente L              | Tooth width L              | Zahnbreite L              | Larg. de denture L              | Ancho diente L              | L 23,6               |
| Largh. dente h <sub>2</sub> | Tooth width h <sub>2</sub> | Zahnbreite h <sub>2</sub> | Larg. de denture h <sub>2</sub> | Ancho diente h <sub>2</sub> | h <sub>2</sub> 72,0  |
| Largh. dente h <sub>3</sub> | Tooth width h <sub>3</sub> | Zahnbreite h <sub>3</sub> | Larg. de denture h <sub>3</sub> | Ancho diente h <sub>3</sub> | h <sub>3</sub> 120,3 |
| Altezza totale H            | Full height H              | Gesamt Höhe H             | Hauteur totale H                | Altura total H              | H -                  |

| Z    | D <sub>e</sub> | D <sub>f</sub> | Simplex  |     |     |   | Duplex   |     |     |   | Triplex  |     |     |   |
|------|----------------|----------------|----------|-----|-----|---|----------|-----|-----|---|----------|-----|-----|---|
|      |                |                | cod.     | d   | H   | per Bussola for Bush für Buchse pour Moyeux amovibles para Casquillos cónicos | cod.     | d   | H   | per Bussola for Bush für Buchse pour Moyeux amovibles para Casquillos cónicos | cod.     | d   | H   | per Bussola for Bush für Buchse pour Moyeux amovibles para Casquillos cónicos |
| * 30 | 379,5          | 364,50         | GS 14030 | 160 | 76  | 3030  | GD 14030 | 160 | 76  | 3030  | GT 14030 | 178 | 89  | 3535  |
| * 38 | 476,2          | 461,39         | GS 14038 | 160 | 76  | 3030  | GD 14038 | 175 | 89  | 3535  | GT 14038 | 216 | 102 | 4040  |
| * 45 | 561,2          | 546,20         | GS 14045 | 160 | 76  | 3030  | GD 14045 | 175 | 89  | 3535  | GT 14045 | 216 | 102 | 4040  |
| * 57 | 706,5          | 691,63         | GS 14057 | 160 | 76  | 3030  | GD 14057 | 175 | 89  | 3535  | GT 14057 | 240 | 102 | 4040  |
| * 76 | 936,9          | 921,98         | GS 14076 | 160 | 76  | 3030  | GD 14076 | 240 | 102 | 4040  | GT 14076 | 260 | 114 | 4545  |
| * 95 | 1167,3         | 1152,33        | GS 14095 | 260 | 114 | 4545  | GD 14095 | 278 | 127 | 5050  | GT 14095 | 278 | 127 | 5050  |



**Corone per trasportatori ed elevatori**  
**Plate wheels for chain conveyors and chain elevators**  
**Kettenradscheiben für Transport- und Förderketten**  
**Disques pour transporteurs et elevateurs**  
**Discos para cadena de transportadores y elevadores**



Passo / Pitch  
 Teilung / Pas / Paso

**P.50**

Rullo / Roller  
 Rollen / Rouleau / Rodillo

**R.25 R.31**

| CATENA:              | CHAIN:         | KETTE:        | CHAINE:            | CADENA:       |           |      |    |
|----------------------|----------------|---------------|--------------------|---------------|-----------|------|----|
| Passo P.             | Pitch          | Teilung       | Pas                | Paso          | <b>P.</b> | 50   | 50 |
| Larghezza Interna W. | Internal width | Innere Breite | Largeur interieure | Ancho interno | <b>W.</b> | 11,5 | 15 |
| Rullo Ø R.           | Rullo Ø        | Rollen Ø      | Rullo Ø            | Rullo Ø       | <b>R.</b> | 25   | 31 |

| CORONA:            | PLATE WHEEL:   | KETTENRADSHEIBE: | DISQUE:               | DISCO:          |           |      |      |
|--------------------|----------------|------------------|-----------------------|-----------------|-----------|------|------|
| Raggio dente r     | Tooth radius r | Radius r         | Rayon de denture r    | Radio diente r  | <b>r</b>  | 50   | 50   |
| Larghezza raggio C | Radius width C | Breite C         | Largeur de rayon C    | Ancho radio C   | <b>C</b>  | 3    | 3    |
| Larghezza dente h1 | Tooth width h1 | Zahnbreite h1    | Largeur De denture h1 | Ancho diente h1 | <b>h1</b> | 10,5 | 13,5 |

| Z  | P. 50 - R.25 |       |        |    |  |
|----|--------------|-------|--------|----|--|
|    | Cod.         | De    | Dp     | D  | Peso<br>Weight<br>Gewicht<br>Poids<br>Peso |
| 6  | CE17006      | 121,0 | 100,00 | 20 | 0,55                                       |
| 7  | CE17007      | 136,0 | 115,24 | 20 | 0,76                                       |
| 8  | CE17008      | 151,5 | 130,65 | 20 | 0,92                                       |
| 9  | CE17009      | 167,0 | 146,20 | 20 | 1,15                                       |
| 10 | CE17010      | 183,0 | 161,80 | 25 | 1,52                                       |
| 11 | CE17011      | 198,5 | 177,50 | 25 | 1,86                                       |
| 12 | CE17012      | 214,0 | 193,20 | 25 | 2,20                                       |
| 13 | CE17013      | 230,0 | 208,95 | 25 | 2,56                                       |
| 14 | CE17014      | 245,5 | 224,70 | 25 | 2,99                                       |
| 15 | CE17015      | 261,5 | 240,45 | 25 | 3,40                                       |
| 16 | CE17016      | 277,5 | 256,30 | 30 | 3,94                                       |
| 17 | CE17017      | 293,0 | 272,11 | 30 | 4,73                                       |
| 18 | CE17018      | 309,0 | 287,95 | 30 | 4,94                                       |
| 19 | CE17019      | 325,0 | 303,80 | 30 | 6,00                                       |
| 20 | CE17020      | 340,5 | 319,60 | 30 | 6,10                                       |
| 21 | CE17021      | 356,5 | 335,45 | 30 | 7,39                                       |
| 22 | CE17022      | 372,5 | 351,35 | 30 | 7,88                                       |
| 23 | CE17023      | 388,0 | 367,20 | 30 | 8,15                                       |
| 24 | CE17024      | 404,0 | 383,05 | 30 | 8,68                                       |
| 25 | CE17025      | 420,0 | 398,95 | 30 | 9,66                                       |
| 26 |              |       |        |    |  |
| 28 | CE17028      | 467,5 | 446,55 | 30 | 13,15                                      |
| 30 | CE17029      | 499,5 | 478,35 | 30 | 14,82                                      |
| 32 |              |       |        |    |  |
| 35 | CE17035      | 579,0 | 557,80 | 30 | 19,10                                      |
| 38 | CE17038      | 626,5 | 605,45 | 30 | 21,50                                      |

| Z  | P. 50 - R.31 |       |        |    |  |
|----|--------------|-------|--------|----|--|
|    | Cod.         | De    | Dp     | D  | Peso<br>Weight<br>Gewicht<br>Poids<br>Peso |
| 6  | CE19006      | 120,0 | 100,00 | 20 | 0,61                                       |
| 7  | CE19007      | 135,0 | 115,24 | 20 | 0,86                                       |
| 8  | CE19008      | 150,5 | 130,65 | 20 | 1,16                                       |
| 9  | CE19009      | 166,0 | 146,20 | 20 | 1,48                                       |
| 10 | CE19010      | 182,0 | 161,80 | 25 | 1,83                                       |
| 11 | CE19011      | 197,5 | 177,50 | 25 | 2,27                                       |
| 12 | CE19012      | 213,0 | 193,20 | 25 | 2,72                                       |
| 13 | CE19013      | 229,0 | 208,95 | 25 | 3,21                                       |
| 14 | CE19014      | 244,5 | 224,70 | 25 | 3,71                                       |
| 15 | CE19015      | 260,5 | 240,45 | 25 | 4,33                                       |
| 16 | CE19016      | 276,5 | 256,30 | 30 | 4,94                                       |
| 17 | CE19019      | 292,0 | 272,11 | 30 | 5,58                                       |
| 18 | CE19018      | 308,0 | 287,95 | 30 | 6,30                                       |
| 19 | CE19019      | 324,0 | 303,80 | 30 | 7,04                                       |
| 20 | CE19020      | 339,5 | 319,60 | 30 | 7,82                                       |
| 21 | CE19021      | 355,5 | 335,45 | 30 | 8,65                                       |
| 22 | CE19022      | 371,5 | 351,35 | 30 | 9,44                                       |
| 23 | CE19023      | 387,0 | 367,20 | 30 | 10,28                                      |
| 24 | CE19024      | 403,0 | 383,05 | 30 | 11,25                                      |
| 25 | CE19025      | 419,0 | 398,95 | 30 | 12,30                                      |
| 26 |              | 435,0 | 414,80 | 30 | 13,34                                      |
| 28 | CE19028      | 466,5 | 446,55 | 30 | 15,52                                      |
| 30 | CE19029      | 498,5 | 478,35 | 30 | 17,95                                      |
| 32 | CE19032      | 530,0 | 510,10 | 30 | 20,46                                      |
| 35 |              |       |        |    |  |
| 38 | CE19038      | 625,5 | 605,45 | 30 | 26,60                                      |

**Corone per trasportatori ed elevatori**  
**Plate wheels for chain conveyors and chain elevators**  
**Kettenradscheiben für Transport-und Förderketten**  
**Disques pour transporteurs et elevateurs**  
**Discos para cadena de transportadores y elevadores**



Passo / Pitch  
 Teilung / Pas / Paso

**P.50,8**

Rullo / Roller  
 Rollen / Rouleau / Rodillo

**R.30**

| CATENA:              | CHAIN:         | KETTE:        | CHAINE:            | CADENA:       |           |      |
|----------------------|----------------|---------------|--------------------|---------------|-----------|------|
| Passo P.             | Pitch          | Teilung       | Pas                | Paso          | <b>P.</b> | 50,8 |
| Larghezza Interna W. | Internal width | Innere Breite | Largeur interieure | Ancho interno | <b>W.</b> | 10,5 |
| Rullo Ø R.           | Rullo Ø        | Rollen Ø      | Rullo Ø            | Rullo Ø       | <b>R.</b> | 30   |

| CORONA:            | PLATE WHEEL:   | KETTENRADSHEIBE: | DISQUE:               | DISCO:          |           |     |
|--------------------|----------------|------------------|-----------------------|-----------------|-----------|-----|
| Raggio dente r     | Tooth radius r | Radius r         | Rayon de denture r    | Radio diente r  | <b>r</b>  | 50  |
| Larghezza raggio C | Radius width C | Breite C         | Largeur de rayon C    | Ancho radio C   | <b>C</b>  | 3   |
| Larghezza dente h1 | Tooth width h1 | Zahnbreite h1    | Largeur De denture h1 | Ancho diente h1 | <b>h1</b> | 8,8 |

| Z  | P. 50,8 - R.30 |       |        |    |  |
|----|----------------|-------|--------|----|--|
|    | Cod.           | De    | Dp     | D  | Peso<br>Weight<br>Gewicht<br>Poids<br>Peso |
| 8  | CE5083008      | 149,0 | 132,74 | 20 | 0,67                                       |
| 10 | CE5083010      | 182,0 | 164,39 | 20 | 1,22                                       |
| 12 | CE5083012      | 214,0 | 196,27 | 25 | 1,81                                       |
| 14 | CE5083014      | 247,0 | 228,29 | 25 | 2,49                                       |
| 16 | CE5083016      | 279,0 | 260,39 | 30 | 3,24                                       |

| Z  | P. 50,8 - R.30 |    |    |   |  |
|----|----------------|----|----|---|--|
|    | Cod.           | De | Dp | D | Peso<br>Weight<br>Gewicht<br>Poids<br>Peso |
| 8  |                |    |    |   |  |
| 10 |                |    |    |   |  |
| 12 |                |    |    |   |  |
| 14 |                |    |    |   |  |
| 16 |                |    |    |   |  |

Passo / Pitch  
 Teilung / Pas / Paso

**P.75**

Rullo / Roller  
 Rollen / Rouleau / Rodillo

**R.25 R.31**

| CATENA:              | CHAIN:         | KETTE:        | CHAINE:            | CADENA:       |           |         |
|----------------------|----------------|---------------|--------------------|---------------|-----------|---------|
| Passo P.             | Pitch          | Teilung       | Pas                | Paso          | <b>P.</b> | 75 75   |
| Larghezza Interna W. | Internal width | Innere Breite | Largeur interieure | Ancho interno | <b>W.</b> | 11,5 15 |
| Rullo Ø R.           | Rullo Ø        | Rollen Ø      | Rullo Ø            | Rullo Ø       | <b>R.</b> | 25 31   |

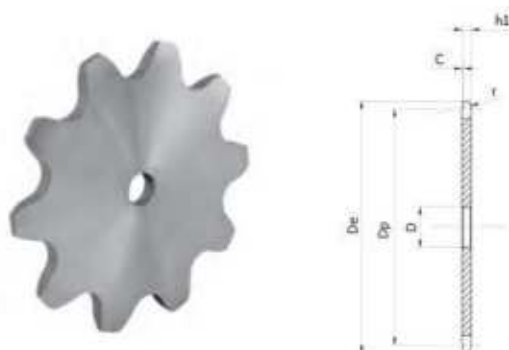
| CORONA:            | PLATE WHEEL:   | KETTENRADSHEIBE: | DISQUE:               | DISCO:          |           |           |
|--------------------|----------------|------------------|-----------------------|-----------------|-----------|-----------|
| Raggio dente r     | Tooth radius r | Radius r         | Rayon de denture r    | Radio diente r  | <b>r</b>  | 50 50     |
| Larghezza raggio C | Radius width C | Breite C         | Largeur de rayon C    | Ancho radio C   | <b>C</b>  | 3 3       |
| Larghezza dente h1 | Tooth width h1 | Zahnbreite h1    | Largeur De denture h1 | Ancho diente h1 | <b>h1</b> | 10,5 13,5 |

| Z  | P. 75 - R.25 |       |        |    |  |
|----|--------------|-------|--------|----|--|
|    | Cod.         | De    | Dp     | D  | Peso<br>Weight<br>Gewicht<br>Poids<br>Peso |
| 6  |              |       |        |    |  |
| 8  | CE20008      | 211,0 | 195,98 | 25 | 2,47                                       |
| 9  |              |       |        |    |  |
| 10 | CE20010      | 258,0 | 242,70 | 25 | 3,77                                       |
| 11 |              |       |        |    |  |
| 12 |              |       |        |    |  |
| 13 |              |       |        |    |  |
| 14 |              |       |        |    |  |
| 15 |              |       |        |    |  |
| 16 |              |       |        |    |  |
| 20 |              |       |        |    |  |
| 21 |              |       |        |    |  |

| Z  | P. 75 - R.31 |       |        |    |  |
|----|--------------|-------|--------|----|--|
|    | Cod.         | De    | Dp     | D  | Peso<br>Weight<br>Gewicht<br>Poids<br>Peso |
| 6  | CE22006      | 168,0 | 150,00 | 25 | 1,68                                       |
| 8  | CE22008      | 215,0 | 195,98 | 25 | 2,94                                       |
| 9  | CE22009      | 238,0 | 219,30 | 25 | 3,78                                       |
| 10 | CE22010      | 261,0 | 242,70 | 30 | 4,50                                       |
| 11 | CE22011      | 286,0 | 266,25 | 30 | 5,57                                       |
| 12 | CE22012      | 309,0 | 289,80 | 30 | 6,70                                       |
| 13 | CE22013      | 333,0 | 313,42 | 30 | 7,80                                       |
| 14 | CE22014      | 357,0 | 337,05 | 30 | 9,12                                       |
| 15 | CE22015      | 380,0 | 360,73 | 30 | 10,42                                      |
| 16 | CE22016      | 404,0 | 384,45 | 30 | 11,98                                      |
| 20 | CE22020      | 499,0 | 479,40 | 30 | 18,35                                      |
| 21 | CE22021      | 523,0 | 503,17 | 30 | 20,62                                      |



**Corone per trasportatori ed elevatori**  
**Plate wheels for chain conveyors and chain elevators**  
**Kettenradscheiben für Transport-und Förderketten**  
**Disques pour transporteurs et elevateurs**  
**Discos para cadena de transportadores y elevadores**



Passo / Pitch  
 Teilung / Pas / Paso

Rullo / Roller  
 Rollen / Rouleau / Rodillo

**P.100**

**R.31    R.40**

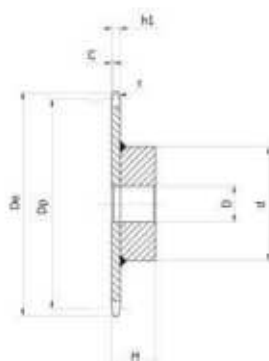
| CATENA:              | CHAIN:         | KETTE:        | CHAINE:            | CADENA:       |           |     |     |
|----------------------|----------------|---------------|--------------------|---------------|-----------|-----|-----|
| Passo P.             | Pitch          | Teilung       | Pas                | Paso          | <b>P.</b> | 100 | 100 |
| Larghezza Interna W. | Internal width | Innere Breite | Largeur interieure | Ancho interno | <b>W.</b> | 15  | 22  |
| Rullo Ø R.           | Rullo Ø        | Rollen Ø      | Rullo Ø            | Rullo Ø       | <b>R.</b> | 31  | 40  |

| CORONA:            | PLATE WHEEL:   | KETTENRADSHEIBE: | DISQUE:               | DISCO:          |           |      |    |
|--------------------|----------------|------------------|-----------------------|-----------------|-----------|------|----|
| Raggio dente r     | Tooth radius r | Radius r         | Rayon de denture r    | Radio diente r  | <b>r</b>  | 50   | 50 |
| Larghezza raggio C | Radius width C | Breite C         | Largeur de rayon C    | Ancho radio C   | <b>C</b>  | 3    | 3  |
| Larghezza dente h1 | Tooth width h1 | Zahnbreite h1    | Largeur De denture h1 | Ancho diente h1 | <b>h1</b> | 13,5 | 20 |

| Z  | P.100 - R.31 |       |        |    |  |
|----|--------------|-------|--------|----|--|
|    | Cod.         | De    | Dp     | D  | Peso<br>Weight<br>Gewicht<br>Poids<br>Peso |
| 6  | CE25006      | 218,0 | 200,00 | 25 | 3,32                                       |
| 7  | CE25007      | 249,0 | 230,48 | 25 | 4,32                                       |
| 8  | CE25008      | 280,0 | 261,31 | 30 | 5,50                                       |
| 9  | CE25009      | 311,0 | 292,40 | 30 | 6,95                                       |
| 10 | CE25010      | 342,0 | 323,61 | 30 | 8,57                                       |
| 11 | CE25011      | 375,0 | 354,95 | 30 | 10,29                                      |
| 12 | CE25012      | 406,0 | 386,40 | 30 | 12,45                                      |
| 13 | CE25013      | 437,0 | 417,90 | 30 | 14,45                                      |
| 14 | CE25014      | 469,0 | 449,40 | 30 | 16,84                                      |
| 15 | CE25015      | 500,0 | 480,97 | 30 | 19,36                                      |
| 16 | CE25016      | 532,0 | 512,60 | 30 | 21,76                                      |

| Z  | P.100 - R.40 |       |        |    |  |
|----|--------------|-------|--------|----|--|
|    | Cod.         | De    | Dp     | D  | Peso<br>Weight<br>Gewicht<br>Poids<br>Peso |
| 6  | CE27006      | 220,0 | 200,00 | 25 | 4,54                                       |
| 7  | CE27007      | 251,0 | 230,48 | 25 | 6,10                                       |
| 8  | CE27008      | 283,0 | 261,31 | 30 | 7,87                                       |
| 9  | CE27009      | 314,0 | 292,40 | 30 | 9,94                                       |
| 10 | CE27010      | 345,0 | 323,61 | 30 | 12,25                                      |
| 11 | CE27011      | 378,0 | 354,95 | 30 | 14,72                                      |
| 12 | CE27012      | 409,0 | 386,40 | 30 | 17,48                                      |
| 13 | CE27013      | 441,0 | 417,90 | 30 | 20,90                                      |

**Pignoni per trasportatori ed elevatori**  
**Sprockets for chain conveyors and chain elevators**  
**Kettenräder für Transport-und Förderketten**  
**Pignons pour transporteurs et elevateurs**  
**Pioñones para cadena de transportadores y elevadores**



Passo / Pitch  
 Teilung / Pas / Paso

**P.50**

Rullo / Roller  
 Rollen / Rouleau / Rodillo

**R.25 R.31**

| CATENA:              | CHAIN:         | KETTE:        | CHAINE:            | CADENA:       | P.        | 50   | 50 |
|----------------------|----------------|---------------|--------------------|---------------|-----------|------|----|
| Passo P.             | Pitch          | Teilung       | Pas                | Paso          |           |      |    |
| Larghezza Interna W. | Internal width | Innere Breite | Largeur interieure | Ancho interno | <b>W.</b> | 11,5 | 15 |
| Rullo Ø R.           | Rullo Ø        | Rollen Ø      | Rullo Ø            | Rullo Ø       | <b>R.</b> | 25   | 31 |

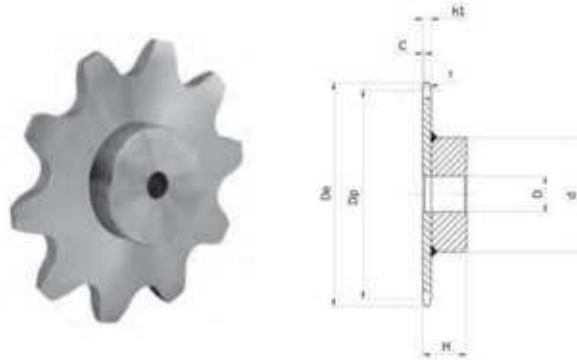
| PIGNONE:           | SPROCKET:      | KETTENRAD:    | PIGNON:               | PIÑON:          | r         | 50   | 50   |
|--------------------|----------------|---------------|-----------------------|-----------------|-----------|------|------|
| Raggio dente r     | Tooth radius r | Radius r      | Rayon de denture r    | Radio diente r  |           |      |      |
| Larghezza raggio C | Radius width C | Breite C      | Largeur de rayon C    | Ancho radio C   | <b>C</b>  | 3    | 3    |
| Larghezza dente h1 | Tooth width h1 | Zahnbreite h1 | Largeur De denture h1 | Ancho diente h1 | <b>h1</b> | 10,5 | 13,5 |

| Z  | P. 50 - R.25 |       |        |     |    |      |  |
|----|--------------|-------|--------|-----|----|------|--|
|    | Cod.         | De    | Dp     | d   | D  | H    | Peso<br>Weight<br>Gewicht<br>Poids<br>Peso |
| 6  | PE502506     | 121,0 | 100,00 | 58  | 20 | 40,5 | 1,11                                       |
| 7  | PE502507     | 136,0 | 115,24 | 58  | 20 | 40,5 | 1,37                                       |
| 8  | PE502508     | 151,5 | 130,65 | 58  | 20 | 40,5 | 1,55                                       |
| 9  | PE502509     | 167,0 | 146,20 | 58  | 20 | 40,5 | 1,89                                       |
| 10 | PE502510     | 183,0 | 161,80 | 88  | 25 | 45,5 | 3,10                                       |
| 11 | PE502511     | 198,5 | 177,50 | 88  | 25 | 45,5 | 3,44                                       |
| 12 | PE502512     | 214,0 | 193,20 | 88  | 25 | 45,5 | 3,79                                       |
| 13 | PE502513     | 230,0 | 208,95 | 88  | 25 | 45,5 | 4,17                                       |
| 14 | PE502514     | 245,5 | 224,70 | 88  | 25 | 45,5 | 4,63                                       |
| 15 | PE502515     | 261,5 | 240,45 | 88  | 25 | 45,5 | 5,09                                       |
| 16 | PE502516     | 277,5 | 256,30 | 118 | 30 | 60,5 | 8,26                                       |
| 17 | PE502517     | 293,0 | 272,11 | 118 | 30 | 60,5 | 9,10                                       |
| 18 | PE502518     | 309,0 | 287,95 | 118 | 30 | 60,5 | 9,26                                       |
| 19 | PE502519     | 325,0 | 303,80 | 118 | 30 | 60,5 | 10,32                                      |
| 20 | PE502520     | 340,5 | 319,60 | 118 | 30 | 60,5 | 10,42                                      |
| 21 | PE502521     | 356,5 | 335,45 | 118 | 30 | 60,5 | 11,71                                      |
| 22 | PE502522     | 372,5 | 351,35 | 118 | 30 | 60,5 | 12,20                                      |
| 23 | PE502523     | 388,0 | 367,20 | 118 | 30 | 60,5 | 12,47                                      |
| 24 | PE502524     | 404,0 | 383,05 | 118 | 30 | 60,5 | 13,00                                      |
| 25 | PE502525     | 420,0 | 398,95 | 118 | 30 | 60,5 | 13,98                                      |
| 26 |              |       |        |     |    |      |  |
| 28 | PE502528     | 467,5 | 446,55 | 133 | 30 | 62,0 | 18,62                                      |
| 30 | PE502530     | 499,5 | 478,35 | 133 | 30 | 62,0 | 20,29                                      |
| 32 |              |       |        |     |    |      |  |
| 35 | PE502535     | 579,0 | 557,80 | 133 | 30 | 62,0 | 24,57                                      |
| 38 | PE502538     | 626,5 | 605,45 | 133 | 30 | 62,0 | 26,97                                      |

| Z  | P. 50 - R.31 |       |        |     |    |      |  |
|----|--------------|-------|--------|-----|----|------|--|
|    | Cod.         | De    | Dp     | d   | D  | H    | Peso<br>Weight<br>Gewicht<br>Poids<br>Peso |
| 6  | PE503106     | 120,0 | 100,00 | 58  | 20 | 43,5 | 1,18                                       |
| 7  | PE503107     | 135,0 | 115,24 | 58  | 20 | 43,5 | 1,44                                       |
| 8  | PE503108     | 150,5 | 130,65 | 58  | 20 | 43,5 | 1,72                                       |
| 9  | PE503109     | 166,0 | 146,20 | 58  | 20 | 43,5 | 2,05                                       |
| 10 | PE503110     | 182,0 | 161,80 | 88  | 25 | 48,5 | 3,40                                       |
| 11 | PE503111     | 197,5 | 177,50 | 88  | 25 | 48,5 | 3,80                                       |
| 12 | PE503112     | 213,0 | 193,20 | 88  | 25 | 48,5 | 4,30                                       |
| 13 | PE503113     | 229,0 | 208,95 | 88  | 25 | 48,5 | 4,78                                       |
| 14 | PE503114     | 244,5 | 224,70 | 88  | 25 | 48,5 | 5,37                                       |
| 15 | PE503115     | 260,5 | 240,45 | 88  | 25 | 48,5 | 5,98                                       |
| 16 | PE503116     | 276,5 | 256,30 | 118 | 30 | 63,5 | 9,05                                       |
| 17 | PE503117     | 292,0 | 272,11 | 118 | 30 | 63,5 | 9,60                                       |
| 18 | PE503118     | 308,0 | 287,95 | 118 | 30 | 63,5 | 10,30                                      |
| 19 | PE503119     | 324,0 | 303,80 | 118 | 30 | 63,5 | 11,10                                      |
| 20 | PE503120     | 339,5 | 319,60 | 118 | 30 | 63,5 | 11,90                                      |
| 21 | PE503121     | 355,5 | 335,45 | 118 | 30 | 63,5 | 12,75                                      |
| 22 | PE503122     | 371,5 | 351,35 | 118 | 30 | 63,5 | 13,54                                      |
| 23 | PE503123     | 387,0 | 367,20 | 118 | 30 | 63,5 | 14,38                                      |
| 24 | PE503124     | 403,0 | 383,05 | 118 | 30 | 63,5 | 15,35                                      |
| 25 | PE503125     | 419,0 | 398,95 | 118 | 30 | 63,5 | 16,40                                      |
| 26 | PE503126     | 435,0 | 414,80 | 133 | 30 | 65,0 | 18,81                                      |
| 28 | PE503128     | 466,5 | 446,55 | 133 | 30 | 65,0 | 21,00                                      |
| 30 | PE503130     | 498,5 | 478,35 | 133 | 30 | 65,0 | 23,42                                      |
| 32 | PE503132     | 530,0 | 510,10 | 133 | 30 | 65,0 | 25,93                                      |
| 35 |              |       |        |     |    |      |  |
| 38 | PE503138     | 625,5 | 605,45 | 133 | 30 | 65,0 | 32,10                                      |



**Pignoni per trasportatori ed elevatori**  
**Sprockets for chain conveyors and chain elevators**  
**Kettenräder für Transport-und Förderketten**  
**Pignons pour transporteurs et elevateurs**  
**Pioñones para cadena de transportadores y elevadores**



Passo / Pitch  
Teilung / Pas / Paso

**P.50,8**

Rullo / Roller  
Rollen / Rouleau / Rodillo

**R.30**

| CATENA:              | CHAIN:         | KETTE:        | CHAINE:            | CADENA:       |           |      |
|----------------------|----------------|---------------|--------------------|---------------|-----------|------|
| Passo P.             | Pitch          | Teilung       | Pas                | Paso          | <b>P.</b> | 50,8 |
| Larghezza Interna W. | Internal width | Innere Breite | Largeur interieure | Ancho interno | <b>W.</b> | 10,5 |
| Rullo Ø R.           | Rullo Ø        | Rollen Ø      | Rullo Ø            | Rullo Ø       | <b>R.</b> | 30   |

| PIGNONE:           | SPROCKET:      | KETTENRAD:    | PIGNON:               | PIÑON:          |           |     |
|--------------------|----------------|---------------|-----------------------|-----------------|-----------|-----|
| Raggio dente r     | Tooth radius r | Radius r      | Rayon de denture r    | Radio diente r  | <b>r</b>  | 50  |
| Larghezza raggio C | Radius width C | Breite C      | Largeur de rayon C    | Ancho radio C   | <b>C</b>  | 3   |
| Larghezza dente h1 | Tooth width h1 | Zahnbreite h1 | Largeur De denture h1 | Ancho diente h1 | <b>h1</b> | 8,8 |

**P. 50,8 - R.30**

| Z  | Cod.      | De    | Dp     | d   | D  | H    | Peso<br>Weight<br>Gewicht<br>Poids<br>Peso |
|----|-----------|-------|--------|-----|----|------|--|
| 8  | PE5083008 | 149,0 | 132,74 | 58  | 20 | 39,0 | 1,35                                       |
| 10 | PE5083010 | 182,0 | 164,39 | 88  | 20 | 44,0 | 2,85                                       |
| 12 | PE5083012 | 214,0 | 196,27 | 88  | 25 | 44,0 | 3,37                                       |
| 14 | PE5083014 | 247,0 | 228,29 | 88  | 25 | 44,0 | 4,08                                       |
| 16 | PE5083016 | 279,0 | 260,39 | 118 | 30 | 59,0 | 7,34                                       |

Passo / Pitch  
Teilung / Pas / Paso

**P.75**

Rullo / Roller  
Rollen / Rouleau / Rodillo

**R.25 R.31**

| CATENA:              | CHAIN:         | KETTE:        | CHAINE:            | CADENA:       |           |         |
|----------------------|----------------|---------------|--------------------|---------------|-----------|---------|
| Passo P.             | Pitch          | Teilung       | Pas                | Paso          | <b>P.</b> | 75 75   |
| Larghezza Interna W. | Internal width | Innere Breite | Largeur interieure | Ancho interno | <b>W.</b> | 11,5 15 |
| Rullo Ø R.           | Rullo Ø        | rollen Ø      | Rullo Ø            | Rullo Ø       | <b>R.</b> | 25 31   |

| PIGNONE:           | SPROCKET:      | KETTENRAD:    | PIGNON:               | PIÑON:          |           |           |
|--------------------|----------------|---------------|-----------------------|-----------------|-----------|-----------|
| Raggio dente r     | Tooth radius r | Radius r      | Rayon de denture r    | Radio diente r  | <b>r</b>  | 50 50     |
| Larghezza raggio C | Radius width C | Breite C      | Largeur de rayon C    | Ancho radio C   | <b>C</b>  | 3 3       |
| Larghezza dente h1 | Tooth width h1 | Zahnbreite h1 | Largeur De denture h1 | Ancho diente h1 | <b>h1</b> | 10,5 13,5 |

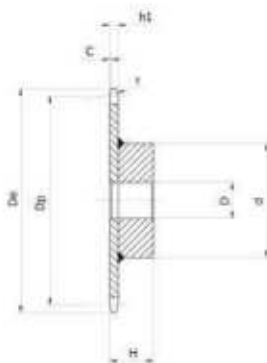
**P. 75 - R.25**

| Z  | Cod.     | De    | Dp     | d   | D  | H    | Peso<br>Weight<br>Gewicht<br>Poids<br>Peso |
|----|----------|-------|--------|-----|----|------|--|
| 6  |          |       |        |     |    |      |  |
| 8  | PE752508 | 211,0 | 195,98 | 88  | 25 | 45,5 | 4,07                                       |
| 9  |          |       |        |     |    |      |  |
| 10 | PE752510 | 258,0 | 242,70 | 118 | 25 | 60,5 | 7,87                                       |
| 11 |          |       |        |     |    |      |  |
| 12 |          |       |        |     |    |      |  |
| 13 |          |       |        |     |    |      |  |
| 14 |          |       |        |     |    |      |  |
| 15 |          |       |        |     |    |      |  |
| 16 |          |       |        |     |    |      |  |
| 20 |          |       |        |     |    |      |  |
| 21 |          |       |        |     |    |      |  |

**P. 75 - R.31**

| Z  | Cod.     | De    | Dp     | d   | D  | H    | Peso<br>Weight<br>Gewicht<br>Poids<br>Peso |
|----|----------|-------|--------|-----|----|------|--|
| 6  | PE753106 | 168,0 | 150,00 | 88  | 25 | 48,5 | 3,26                                       |
| 8  | PE753108 | 215,0 | 195,98 | 88  | 25 | 48,5 | 4,52                                       |
| 9  | PE753109 | 238,0 | 219,30 | 88  | 25 | 48,5 | 5,36                                       |
| 10 | PE753110 | 261,0 | 242,70 | 118 | 30 | 63,5 | 8,70                                       |
| 11 | PE753111 | 286,0 | 266,25 | 118 | 30 | 63,5 | 9,60                                       |
| 12 | PE753112 | 309,0 | 289,80 | 118 | 30 | 63,5 | 10,73                                      |
| 13 | PE753113 | 333,0 | 313,42 | 118 | 30 | 63,5 | 11,83                                      |
| 14 | PE753114 | 357,0 | 337,05 | 118 | 30 | 63,5 | 13,15                                      |
| 15 | PE753115 | 380,0 | 360,73 | 118 | 30 | 63,5 | 14,45                                      |
| 16 | PE753116 | 404,0 | 384,45 | 133 | 30 | 65,0 | 17,43                                      |
| 20 | PE753120 | 499,0 | 479,40 | 133 | 30 | 65,0 | 23,80                                      |
| 21 | PE753121 | 523,0 | 503,17 | 133 | 30 | 65,0 | 26,07                                      |

**Pignoni per trasportatori ed elevatori**  
**Sprockets for chain conveyors and chain elevators**  
**Kettenräder für Transport-und Förderketten**  
**Pignons pour transporteurs et elevateurs**  
**Pioñones para cadena de transportadores y elevadores**



Passo / Pitch  
 Teilung / Pas / Paso

Rullo / Roller  
 Rollen / Rouleau / Rodillo

**P.100**

**R.31 R.40**

| CATENA:              | CHAIN:         | KETTE:        | CHAINE:            | CADENA:       | P.        | 100 | 100 |
|----------------------|----------------|---------------|--------------------|---------------|-----------|-----|-----|
| Passo P.             | Pitch          | Teilung       | Pas                | Paso          | <b>P.</b> | 100 | 100 |
| Larghezza Interna W. | Internal width | Innere Breite | Largeur interieure | Ancho interno | <b>W.</b> | 15  | 22  |
| Rullo Ø R.           | Rullo Ø        | Rollen Ø      | Rullo Ø            | Rullo Ø       | <b>R.</b> | 31  | 40  |

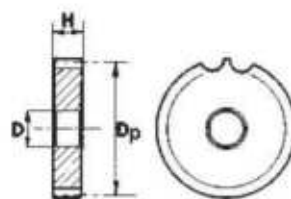
| PIGNONE:           | SPROCKET:      | KETTENRAD:    | PIGNON:               | PIÑON:          | r         | 50   | 50 |
|--------------------|----------------|---------------|-----------------------|-----------------|-----------|------|----|
| Raggio dente r     | Tooth radius r | Radius r      | Rayon de denture r    | Radio diente r  | <b>r</b>  | 50   | 50 |
| Larghezza raggio C | Radius width C | Breite C      | Largeur de rayon C    | Ancho radio C   | <b>C</b>  | 3    | 3  |
| Larghezza dente h1 | Tooth width h1 | Zahnbreite h1 | Largeur De denture h1 | Ancho diente h1 | <b>h1</b> | 13,5 | 20 |

| Z  | P.100 - R.31 |       |        |     |    |      |  |
|----|--------------|-------|--------|-----|----|------|--|
|    | Cod.         | De    | Dp     | d   | D  | H    | Peso<br>Weight<br>Gewicht<br>Poids<br>Peso |
| 6  | PE1003106    | 218,0 | 200,00 | 88  | 25 | 48,5 | 4,80                                       |
| 7  | PE1003107    | 249,0 | 230,48 | 88  | 25 | 48,5 | 5,80                                       |
| 8  | PE1003108    | 280,0 | 261,31 | 118 | 30 | 63,5 | 9,67                                       |
| 9  | PE1003109    | 311,0 | 292,40 | 118 | 30 | 63,5 | 10,95                                      |
| 10 | PE1003110    | 342,0 | 323,61 | 118 | 30 | 63,5 | 12,63                                      |
| 11 | PE1003111    | 375,0 | 354,95 | 118 | 30 | 63,5 | 14,34                                      |
| 12 | PE1003112    | 406,0 | 386,40 | 118 | 30 | 63,5 | 16,51                                      |
| 13 | PE1003113    | 437,0 | 417,90 | 118 | 30 | 63,5 | 18,51                                      |
| 14 | PE1003114    | 469,0 | 449,40 | 118 | 30 | 63,5 | 20,93                                      |
| 15 | PE1003115    | 500,0 | 480,97 | 118 | 30 | 63,5 | 23,42                                      |
| 16 | PE1003116    | 532,0 | 512,60 | 133 | 30 | 65,0 | 27,16                                      |

| Z  | P.100 - R.40 |       |        |     |    |      |  |
|----|--------------|-------|--------|-----|----|------|--|
|    | Cod.         | De    | Dp     | d   | D  | H    | Peso<br>Weight<br>Gewicht<br>Poids<br>Peso |
| 6  | PE1004006    | 220,0 | 200,00 | 118 | 25 | 70,0 | 8,64                                       |
| 7  | PE1004007    | 251,0 | 230,48 | 118 | 25 | 70,0 | 10,20                                      |
| 8  | PE1004008    | 283,0 | 261,31 | 118 | 30 | 70,0 | 11,97                                      |
| 9  | PE1004009    | 314,0 | 292,40 | 118 | 30 | 70,0 | 14,04                                      |
| 10 | PE1004010    | 345,0 | 323,61 | 118 | 30 | 70,0 | 16,35                                      |
| 11 | PE1004011    | 378,0 | 354,95 | 118 | 30 | 70,0 | 18,82                                      |
| 12 | PE1004012    | 409,0 | 386,40 | 118 | 30 | 70,0 | 21,58                                      |
| 13 | PE1004013    | 441,0 | 417,90 | 118 | 30 | 70,0 | 25,00                                      |



**Ruote per catena a cerniera / Wheels for table top chain**  
**Kettenräder für Scharnierbandketten / Roues pour chaînes à charnières**  
**Rueda para cadena de charnela (table top)**



**P. 1"1/2 DIN 8153**

| Materiale C45E<br>UNI EN 10083-1 |          | Material C45E<br>UNI EN 10083-1 |    | Werkstoff C45E<br>UNI EN 10083-1 |    | Matière C45E<br>UNI EN 10083-1 |                | Material C45E<br>UNI EN 10083-1 |      |
|----------------------------------|----------|---------------------------------|----|----------------------------------|----|--------------------------------|----------------|---------------------------------|------|
| Z                                | cod.     | D <sub>p</sub>                  | D  | H                                | Z  | cod.                           | D <sub>p</sub> | D                               | H    |
| 13                               | RC 14013 | 78,98                           | 15 | 43,5                             | 23 | RC 14023                       | 141,22         | 20                              | 43,5 |
| 15                               | RC 14015 | 93,67                           | 15 | 43,5                             | 25 | RC 14025                       | 153,21         | 20                              | 43,5 |
| 17                               | RC 14017 | 105,47                          | 20 | 43,5                             | 27 | RC 14027                       | 165,20         | 20                              | 43,5 |
| 19                               | RC 14019 | 117,34                          | 20 | 43,5                             | 29 | RC 14029                       | 177,24         | 20                              | 43,5 |
| 21                               | RC 14021 | 129,26                          | 20 | 43,5                             | 31 | RC 14031                       | 189,29         | 20                              | 43,5 |

**Pignoni tendicatena completi di cuscinetto / Ball bearing idler sprockets**  
**Kettenspannräder mit Kugellager / Pignons tendeurs complets avec roulement**  
**Piñones tensores completos con cojinete**

I nostri pignoni tendicatena sono completi di cuscinetto, pronti al montaggio in particolari punti di tensione oppure di rinvio. L'accurata lavorazione ed il montaggio stabile su di un cuscinetto a sfere, a doppio schermo di protezione, permettono una maggiore resistenza ai carichi e all'usura. L'anello centrale del cuscinetto "allungato", permette un facile montaggio su macchinari speciali di ogni tipo.

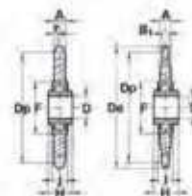
Our idler sprockets are supplied complete with bearings, ready to be fitted at the relevant tension or driving gear points. The accurate machining and stable assembly on a ball bearing, with double protection, provides greater resistance to loads and wear. The central "extended" ring on bearing, allows easy assembly on all types of special machinery.

Unsere Kettenspannräder werden komplett mit Lager geliefert und sind für den Einbau an besonderen Spannung- oder Vorgelegepunkten geeignet. Die sorgfältige Verarbeitung und die stabile Montage auf einem Kugellager mit doppelter Schutzblende sorgen für eine höhere Last und Verschleißbeständigkeit geeignet. Der Mittelring des "verlängerten" Lagers erlaubt den einfachen Einbau an Spezialmaschinen aller Art.

Nos pignons tendeurs sont équipés de roulements et conviennent au montage en cas de points de tension particuliers ou de renvoi. L'usinage soigné et le montage stable sur roulements à billes, à double écran de protection confèrent à nos produits une résistance accrue aux charges et à l'usure.

Nuestros piñones tensocadena están provistos de cojinete y se pueden montar en puntos de tensión o reenvío especiales. Gracias a las características de fabricación y al montaje estable en cojinetes de bolas con doble escudo de protección, ofrecen mayor resistencia de carga y más durabilidad. El anillo central del cojinete "alargado" facilita el montaje en todo tipo de maquinarias especiales.

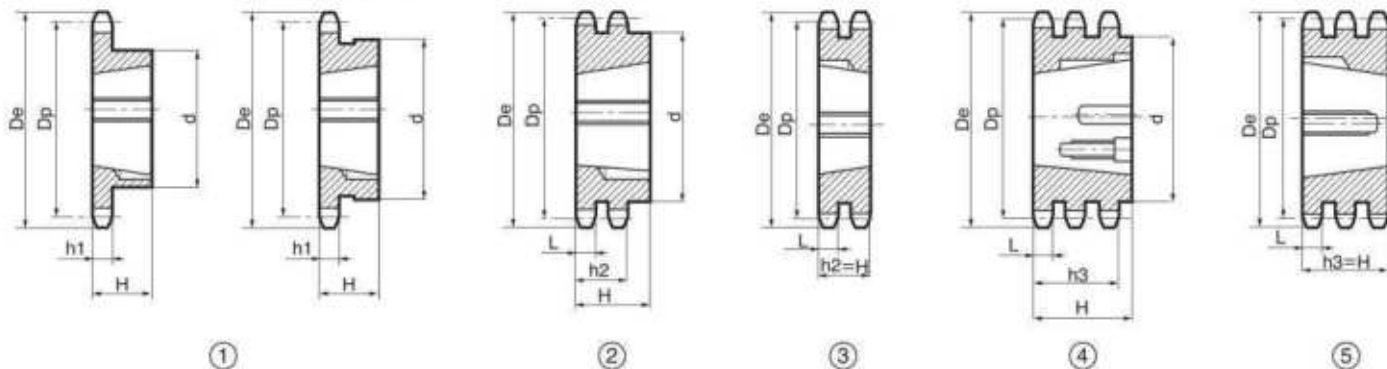
| Materiale C45E<br>UNI EN 10083-1 |          | Material C45E<br>UNI EN 10083-1 |                | Werkstoff C45E<br>UNI EN 10083-1 |                | Matière C45E<br>UNI EN 10083-1 |    | Material C45E<br>UNI EN 10083-1 |    |      |   |         |
|----------------------------------|----------|---------------------------------|----------------|----------------------------------|----------------|--------------------------------|----|---------------------------------|----|------|---|---------|
| Z                                | cod.     | P.                              | D <sub>e</sub> | D <sub>p</sub>                   | B <sub>1</sub> | A                              | D  | F                               | H  | J    | cuscinetto/bearing<br>Kugellager/roulement/cojinete |         |
| 23                               | PC 04023 | 8x1/8"                          | 62,0           | 58,75                            | 2,8            | 7,0                            | 16 | +0,26<br>+0,13                  | 40 | 18,3 | 12  | 203 KRR |
| 20                               | PC 05020 | 3/8"x7/32"                      | 64,3           | 60,89                            | 5,3            | 7,0                            | 16 | +0,26<br>+0,13                  | 40 | 18,3 | 12  | 203 KRR |
| 21                               | PC 05021 | 3/8"x7/32"                      | 68,0           | 63,91                            | 5,3            | 7,0                            | 16 | +0,26<br>+0,13                  | 40 | 18,3 | 12  | 203 KRR |
| 18                               | PC 06018 | 1/2"x1/8"                       | 78,9           | 73,14                            | 3,0            | 7,0                            | 16 | +0,26<br>+0,13                  | 40 | 18,3 | 12  | 203 KRR |
| 16                               | PC 07016 | 1/2"x3/16"                      | 70,9           | 65,10                            | 4,5            | 7,0                            | 16 | +0,26<br>+0,13                  | 40 | 18,3 | 12  | 203 KRR |
| 18                               | PC 07018 | 1/2"x3/16"                      | 78,9           | 73,14                            | 4,5            | 7,0                            | 16 | +0,26<br>+0,13                  | 40 | 18,3 | 12  | 203 KRR |
| 14                               | PC 09014 | 1/2"x5/16"                      | 61,8           | 57,07                            | 7,2            | 7,2                            | 16 | +0,26<br>+0,13                  | 40 | 18,3 | 12  | 203 KRR |
| 15                               | PC 09015 | 1/2"x5/16"                      | 65,5           | 61,09                            | 7,2            | 7,2                            | 16 | +0,26<br>+0,13                  | 40 | 18,3 | 12  | 203 KRR |
| 16                               | PC 09016 | 1/2"x5/16"                      | 69,5           | 65,10                            | 7,2            | 7,2                            | 16 | +0,26<br>+0,13                  | 40 | 18,3 | 12  | 203 KRR |
| 18                               | PC 09018 | 1/2"x5/16"                      | 77,8           | 73,14                            | 7,2            | 7,2                            | 16 | +0,26<br>+0,13                  | 40 | 18,3 | 12  | 203 KRR |
| 20                               | PC 09020 | 1/2"x5/16"                      | 85,8           | 81,19                            | 7,2            | 7,2                            | 16 | +0,26<br>+0,13                  | 40 | 18,3 | 12  | 203 KRR |
| 21                               | PC 09021 | 1/2"x5/16"                      | 89,7           | 85,22                            | 7,2            | 7,2                            | 16 | +0,26<br>+0,13                  | 40 | 18,3 | 12  | 203 KRR |
| 13                               | PC 10013 | 5/8"x3/8"                       | 73,0           | 66,32                            | 9,1            | 9,1                            | 16 | +0,26<br>+0,13                  | 40 | 18,3 | 12  | 203 KRR |
| 14                               | PC 10014 | 5/8"x3/8"                       | 78,0           | 71,34                            | 9,1            | 9,1                            | 16 | +0,26<br>+0,13                  | 40 | 18,3 | 12  | 203 KRR |
| 15                               | PC 10015 | 5/8"x3/8"                       | 83,0           | 76,36                            | 9,1            | 9,1                            | 16 | +0,26<br>+0,13                  | 40 | 18,3 | 12  | 203 KRR |
| 16                               | PC 10016 | 5/8"x3/8"                       | 88,0           | 81,37                            | 9,1            | 9,1                            | 16 | +0,26<br>+0,13                  | 40 | 18,3 | 12  | 203 KRR |
| 17                               | PC 10017 | 5/8"x3/8"                       | 93,0           | 86,30                            | 9,1            | 9,1                            | 16 | +0,26<br>+0,13                  | 40 | 18,3 | 12  | 203 KRR |
| 18                               | PC 10018 | 5/8"x3/8"                       | 98,3           | 91,42                            | 9,1            | 9,1                            | 16 | +0,26<br>+0,13                  | 40 | 18,3 | 12  | 203 KRR |
| 21                               | PC 10021 | 5/8"x3/8"                       | 113,4          | 106,52                           | 9,1            | 9,1                            | 16 | +0,26<br>+0,13                  | 40 | 18,3 | 12  | 203 KRR |
| 12                               | PC 11012 | 3/4"x7/16"                      | 81,5           | 73,60                            | 11,1           | 11,1                           | 16 | +0,26<br>+0,13                  | 40 | 18,3 | 12  | 203 KRR |
| 13                               | PC 11013 | 3/4"x7/16"                      | 87,5           | 79,59                            | 11,1           | 11,1                           | 16 | +0,26<br>+0,13                  | 40 | 18,3 | 12  | 203 KRR |
| 15                               | PC 11015 | 3/4"x7/16"                      | 99,8           | 91,63                            | 11,1           | 11,1                           | 16 | +0,26<br>+0,13                  | 40 | 18,3 | 12  | 203 KRR |
| 16                               | PC 11016 | 3/4"x7/16"                      | 105,5          | 97,65                            | 11,1           | 11,1                           | 16 | +0,26<br>+0,13                  | 40 | 18,3 | 12  | 203 KRR |
| 12                               | PC 12012 | 1"x17,02"                       | 109,0          | 98,14                            | 16,2           | 16,2                           | 20 | +0,1<br>+0                      | 47 | 17,7 | 14  | 204 KRR |
| 15                               | PC 12015 | 1"x17,02"                       | 133,0          | 122,17                           | 16,2           | 16,2                           | 20 | +0,1<br>+0                      | 47 | 17,7 | 14  | 204 KRR |
| 17                               | PC 12017 | 1"x17,02"                       | 149,0          | 138,24                           | 16,2           | 16,2                           | 20 | +0,1<br>+0                      | 47 | 17,7 | 14  | 204 KRR |
| 13                               | PC 13013 | 1"1/4x3/4"                      | 147,8          | 132,65                           | 18,5           | 18,5                           | 25 | +0,1<br>+0                      | 52 | 21,0 | 15  | 205 KRR |



**Pignoni per bussole coniche / Taper bored sprockets**  
**Kettenräder für Taper-Spannbuchsen / Pignons à moyeu amovible**  
**Piñones para casquillos cónicos**



Versione (\*) / Type (\*)  
Typ (\*) / Tipo (\*)



**3/8" x 7/32" - 9,525 x 5,72 mm**

**06B - 1-2-3 - DIN 8187 - ISO/R 606**

| CATENA:           | CHAIN:         | KETTE:        | CHAÎNE:            | CADENA:       | ISO mm       |
|-------------------|----------------|---------------|--------------------|---------------|--------------|
| Passo             | Pitch          | Teilung       | Pas                | Paso          | <b>9,525</b> |
| Larghezza interna | Internal width | Innere Breite | Largeur interieure | Ancho interno | <b>5,720</b> |
| Rullo ø           | Roller ø       | Rollen ø      | ø du rouleau       | Rodillo ø     | <b>6,350</b> |

| PIGNONE                     | SPROCKETS                  | KETTENRÄDER               | PIGNONS                         | PIÑONES                     | ISO mm                    |
|-----------------------------|----------------------------|---------------------------|---------------------------------|-----------------------------|---------------------------|
| Raggio dente r              | Tooth radius r             | Radius r                  | Rayon de denture r              | Radio diente r              | <b>r 10,0</b>             |
| Larghezza raggio C          | Radius width C             | Breite C                  | Largeur de rayon C              | Ancho radio C               | <b>C 1,0</b>              |
| Largh. dente h <sub>1</sub> | Tooth width h <sub>1</sub> | Zahnbreite h <sub>1</sub> | Larg. de denture h <sub>1</sub> | Ancho diente h <sub>1</sub> | <b>h<sub>1</sub> 5,3</b>  |
| Largh. dente L              | Tooth width L              | Zahnbreite L              | Larg. de denture L              | Ancho diente L              | <b>L 5,2</b>              |
| Largh. dente h <sub>2</sub> | Tooth width h <sub>2</sub> | Zahnbreite h <sub>2</sub> | Larg. de denture h <sub>2</sub> | Ancho diente h <sub>2</sub> | <b>h<sub>2</sub> 15,4</b> |
| Largh. dente h <sub>3</sub> | Tooth width h <sub>3</sub> | Zahnbreite h <sub>3</sub> | Larg. de denture h <sub>3</sub> | Ancho diente h <sub>3</sub> | <b>h<sub>3</sub> 25,6</b> |

**Acciaio                      Steel                      Stahl                      Acier                      Acero = C45E - UNI EN 10083-1**

| Z   | D <sub>e</sub> | D <sub>p</sub> | Simplex  |     |    |   | Duplex                     |          |    |    | Triplex   |                            |          |    |      |   |                            |
|-----|----------------|----------------|----------|-----|----|---|----------------------------|----------|----|----|---|----------------------------|----------|----|------|---|----------------------------|
|     |                |                | cod.     | d   | H  | per Bussola for Bush für Buchse pour Moyeux amovibles para Casquillos cónicos | Esecuz. tipo Type Typ Tipo | cod.     | d  | H  | per Bussola for Bush für Buchse pour Moyeux amovibles para Casquillos cónicos | Esecuz. tipo Type Typ Tipo | cod.     | d  | H    | per Bussola for Bush für Buchse pour Moyeux amovibles para Casquillos cónicos | Esecuz. tipo Type Typ Tipo |
| 17  | 55,3           | 51,83          | TS 05017 | 45* | 22 | 1008  | 1                          | TD 05017 | 42 | 22 | 1008  | 2                          | TT 05017 | -  | 25,6 | 1008  | 5                          |
| 18  | 58,3           | 54,85          | TS 05018 | 45* | 22 | 1008  | 1                          | TD 05018 | 43 | 22 | 1008  | 2                          |          |    |      |   |                            |
| 19  | 61,3           | 57,87          | TS 05019 | 45  | 22 | 1008  | 1                          | TD 05019 | 46 | 22 | 1008  | 2                          | TT 05019 | -  | 25,6 | 1008  | 5                          |
| 20  | 64,3           | 60,89          | TS 05020 | 46  | 22 | 1008  | 1                          | TD 05020 | 48 | 22 | 1008  | 2                          |          |    |      |   |                            |
| 21  | 68,0           | 63,91          | TS 05021 | 46  | 22 | 1008  | 1                          | TD 05021 | 49 | 22 | 1008  | 2                          | TT 05021 | -  | 25,6 | 1008  | 5                          |
| 22  | 71,0           | 66,93          | TS 05022 | 50  | 22 | 1108  | 1                          | TD 05022 | 52 | 22 | 1108  | 2                          |          |    |      |   |                            |
| 23  | 73,5           | 69,95          | TS 05023 | 63* | 25 | 1210  | 1                          | TD 05023 | 59 | 25 | 1210  | 2                          | TT 05023 | -  | 25,6 | 1210  | 5                          |
| 24  | 77,0           | 72,97          | TS 05024 | 63  | 25 | 1210  | 1                          | TD 05024 | 61 | 25 | 1210  | 2                          |          |    |      |   |                            |
| 25  | 80,0           | 76,02          | TS 05025 | 63  | 25 | 1210  | 1                          | TD 05025 | 64 | 25 | 1210  | 2                          | TT 05025 | -  | 25,6 | 1210  | 5                          |
| 26  | 83,0           | 79,02          | TS 05026 | 63  | 25 | 1210  | 1                          | TD 05026 | 65 | 25 | 1210  | 2                          |          |    |      |   |                            |
| 27  | 86,0           | 82,02          | TS 05027 | 63  | 25 | 1210  | 1                          | TD 05027 | 70 | 25 | 1210  | 2                          | TT 05027 | -  | 25,6 | 1210  | 5                          |
| 28  | 89,0           | 85,07          | TS 05028 | 63  | 25 | 1210  | 1                          | TD 05028 | 70 | 25 | 1210  | 2                          |          |    |      |   |                            |
| 30  | 94,7           | 91,12          | TS 05030 | 63  | 25 | 1210  | 1                          | TD 05030 | 75 | 25 | 1210  | 2                          | TT 05030 | 79 | 38,0 | 1615  | 4                          |
| 38  | 119,5          | 115,35         | TS 05038 | 70  | 25 | 1210  | 1                          | TD 05038 | 80 | 25 | 1610  | 2                          | TT 05038 | 90 | 38,0 | 1615  | 4                          |
| 45  | 140,7          | 136,55         | TS 05045 | 70  | 25 | 1210  | 1                          | TD 05045 | 80 | 25 | 1610  | 2                          |          |    |      |   |                            |
| 57  | 176,9          | 172,91         | TS 05057 | 70  | 25 | 1210  | 1                          | TD 05057 | 80 | 25 | 1610  | 2                          |          |    |      |   |                            |
| 76  | 234,9          | 230,49         | TS 05076 | 70  | 25 | 1210  | 1                          | TD 05076 | 80 | 25 | 1610  | 2                          |          |    |      |   |                            |
| 95  | 292,5          | 288,08         | TS 05095 | 80  | 25 | 1210  | 1                          | TD 05095 | 90 | 25 | 1610  | 2                          |          |    |      |   |                            |
| 114 | 349,5          | 345,68         | TS 05114 | 80  | 38 | 1215  | 1                          | TD 05114 | 95 | 38 | 1615  | 2                          |          |    |      |   |                            |



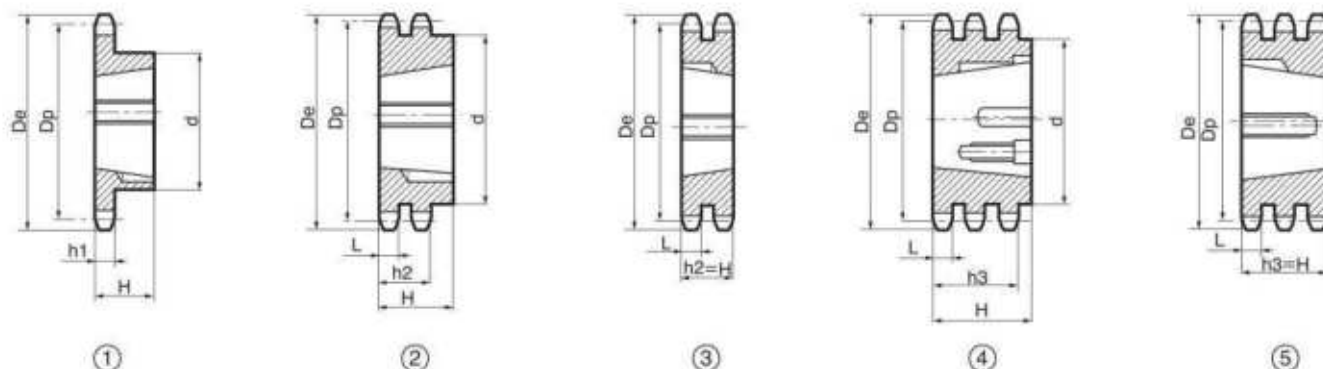








**Pignoni per bussole coniche / Taper bored sprockets**  
**Kettenräder für Taper-Spannbuchsen / Pignons à moyeu amovible**  
**Piñones para casquillos cónicos**



**1" x 17,02 mm - 25,4 x 17,2 mm**

**16B - 1-2-3 - DIN 8187 - ISO/R 606**

| CATENA:           | CHAIN:         | KETTE:        | CHAÎNE:            | CADENA:       | ISO mm |
|-------------------|----------------|---------------|--------------------|---------------|--------|
| Passo             | Pitch          | Teilung       | Pas                | Paso          | 25,40  |
| Larghezza interna | Internal width | Innere Breite | Largeur interieure | Ancho interno | 17,02  |
| Rullo ø           | Roller ø       | Rollen ø      | ø du rouleau       | Rodillo ø     | 15,88  |

| PIGNONE                     | SPROCKETS                  | KETTENRÄDER               | PIGNONS                         | PIÑONES                     | ISO mm              |
|-----------------------------|----------------------------|---------------------------|---------------------------------|-----------------------------|---------------------|
| Raggio dente r              | Tooth radius r             | Radius r                  | Rayon de denture r              | Radio diente r              | r 26,0              |
| Larghezza raggio C          | Radius width C             | Breite C                  | Largeur de rayon C              | Ancho radio C               | C 2,5               |
| Largh. dente h <sub>1</sub> | Tooth width h <sub>1</sub> | Zahnbreite h <sub>1</sub> | Larg. de denture h <sub>1</sub> | Ancho diente h <sub>1</sub> | h <sub>1</sub> 16,2 |
| Largh. dente L              | Tooth width L              | Zahnbreite L              | Larg. de denture L              | Ancho diente L              | L 15,8              |
| Largh. dente h <sub>2</sub> | Tooth width h <sub>2</sub> | Zahnbreite h <sub>2</sub> | Larg. de denture h <sub>2</sub> | Ancho diente h <sub>2</sub> | h <sub>2</sub> 47,7 |
| Largh. dente h <sub>3</sub> | Tooth width h <sub>3</sub> | Zahnbreite h <sub>3</sub> | Larg. de denture h <sub>3</sub> | Ancho diente h <sub>3</sub> | h <sub>3</sub> 79,6 |

**Acciaio                      Steel                      Stahl                      Acier                      Acero = C45E - UNI EN 10083-1**

| Z   | D <sub>e</sub> | D <sub>p</sub> | Simplex  |     |    |   | Duplex                     |          |     |       | Triplex   |                            |          |     |      |   |                            |  |
|-----|----------------|----------------|----------|-----|----|---|----------------------------|----------|-----|-------|---|----------------------------|----------|-----|------|---|----------------------------|--|
|     |                |                | cod.     | d   | H  | per Bussola for Bush für Buchse pour Moyeux amovibles para Casquillos cónicos | Esecuz. tipo Type Typ Tipo | cod.     | d   | H     | per Bussola for Bush für Buchse pour Moyeux amovibles para Casquillos cónicos | Esecuz. tipo Type Typ Tipo | cod.     | d   | H    | per Bussola for Bush für Buchse pour Moyeux amovibles para Casquillos cónicos | Esecuz. tipo Type Typ Tipo |  |
| 13  | 117,0          | 106,12         | TS 12013 | 73  | 25 | 1610  | 1                          | TD 12013 | -   | 47,7  | 2012  | 3                          |          |     |      |   |                            |  |
| 14  | 125,0          | 114,15         | TS 12014 | 76  | 25 | 1610  | 1                          |          |     |       |   |                            |          |     |      |   |                            |  |
| 15  | 133,0          | 122,17         | TS 12015 | 76  | 25 | 1610  | 1                          | TD 12015 | -   | 47,7  | 2012  | 3                          |          |     |      |   |                            |  |
| 16  | 141,0          | 130,20         | TS 12016 | 90  | 32 | 2012  | 1                          |          |     |       |   |                            |          |     |      |   |                            |  |
| 17  | 149,0          | 138,22         | TS 12017 | 90  | 32 | 2012  | 1                          | TD 12017 | -   | 47,7  | 2517  | 3                          | TT 12017 | -   | 79,6 | 2517  | 5                          |  |
| 18  | 157,0          | 146,28         | TS 12018 | 108 | 45 | 2517  | 1                          |          |     |       |   |                            |          |     |      |   |                            |  |
| 19  | 165,2          | 154,33         | TS 12019 | 108 | 45 | 2517  | 1                          | TD 12019 | -   | 47,7  | 2517  | 3                          | TT 12019 | -   | 79,6 | 3020  | 5                          |  |
| 20  | 173,2          | 162,38         | TS 12020 | 108 | 45 | 2517  | 1                          |          |     |       |   |                            |          |     |      |   |                            |  |
| 21  | 181,2          | 170,43         | TS 12021 | 110 | 45 | 2517  | 1                          | TD 12021 | 140 | 51,0  | 3020  | 2                          | TT 12021 | -   | 79,6 | 3030  | 5                          |  |
| 22  | 189,3          | 178,48         | TS 12022 | 110 | 45 | 2517  | 1                          |          |     |       |   |                            |          |     |      |   |                            |  |
| 23  | 197,5          | 186,53         | TS 12023 | 110 | 45 | 2517  | 1                          | TD 12023 | 140 | 51,0  | 3020  | 2                          | TT 12023 | -   | 79,6 | 3525  | 5                          |  |
| 24  | 205,5          | 194,59         | TS 12024 | 110 | 45 | 2517  | 1                          |          |     |       |   |                            |          |     |      |   |                            |  |
| 25  | 213,5          | 202,66         | TS 12025 | 110 | 45 | 2517  | 1                          | TD 12025 | 140 | 51,0  | 3020  | 2                          | TT 12025 | -   | 79,6 | 3525  | 5                          |  |
| 26  | 221,6          | 210,72         | TS 12026 | 110 | 45 | 2517  | 1                          |          |     |       |   |                            |          |     |      |   |                            |  |
| 27  | 229,6          | 218,79         | TS 12027 | 110 | 45 | 2517  | 1                          | TD 12027 | 140 | 51,0  | 3020  | 2                          | TT 12027 | -   | 79,6 | 3525  | 5                          |  |
| 28  | 237,7          | 226,85         | TS 12028 | 110 | 45 | 2517  | 1                          |          |     |       |   |                            |          |     |      |   |                            |  |
| 30  | 254,0          | 243,00         | TS 12030 | 140 | 51 | 3020  | 1                          | TD 12030 | 140 | 51,0  | 3020  | 2                          | TT 12030 | -   | 79,6 | 3525  | 5                          |  |
| 38  | 320,7          | 307,59         | TS 12038 | 140 | 51 | 3020  | 1                          | TD 12038 | 140 | 51,0  | 3020  | 2                          | TT 12038 | -   | 79,6 | 3525  | 5                          |  |
| 45  | 377,1          | 364,13         | TS 12045 | 140 | 51 | 3020  | 1                          | TD 12045 | 140 | 51,0  | 3020  | 2                          | TT 12045 | 216 | 79,6 | 4030  | 4                          |  |
| 57  | 474,0          | 461,07         | TS 12057 | 140 | 51 | 3020  | 1                          | TD 12057 | 175 | 65,0  | 3525  | 2                          | TT 12057 | 216 | 79,6 | 4030  | 4                          |  |
| 76  | 627,0          | 614,65         | TS 12076 | 140 | 51 | 3020  | 1                          | TD 12076 | 175 | 65,0  | 3525  | 2                          | TT 12076 | 216 | 79,6 | 4030  | 4                          |  |
| 95  | 781,1          | 768,22         | TS 12095 | 140 | 51 | 3020  | 1                          | TD 12095 | 215 | 65,0  | 3525  | 2                          | TT 12095 | 240 | 79,6 | 4030  | 4                          |  |
| 114 | 934,3          | 921,81         | TS 12114 | 140 | 76 | 3030  | 1                          | TD 12114 | 215 | 102,0 | 4040  | 2                          |          |     |      |   |                            |  |





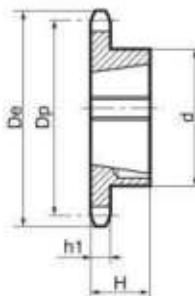
**Pignoni per bussole coniche temprati ad induzione sui denti (45 ÷ 55 HRC)**

**Taper bored sprockets with induction hardened teeth (45 ÷ 55 HRC)**

**Kettenräder für Spannbuchse mit gehärteten Zähnen (45 ÷ 55 HRC)**

**Pignons à moyeu amovible avec denture traitée (45 ÷ 55 HRC)**

**Piñones para casquillos cónicos con dientes tratados (45 ÷ 55 HRC)**



①

**Materiale C45E**  
UNI EN 10083-1

**Material C45E**  
UNI EN 10083-1

**Werkstoff C45E**  
UNI EN 10083-1

**Matière C45E**  
UNI EN 10083-1

**Material C45E**  
UNI EN 10083-1

**3/8" x 7/32" - 06B R. 6,35**

| Z  | D <sub>e</sub> | D <sub>p</sub> | Simplex  |    |    |   | Esecuz. tipo<br>Type<br>Typ<br>Typo |
|----|----------------|----------------|----------|----|----|---|-------------------------------------|
|    |                |                | cod.     | d  | H  | per Bussola<br>für Buchse<br>pour Moyeux amovibles<br>para Casquillos cónicos |                                     |
| 17 | 55,3           | 51,83          | TS 05T17 | 45 | 22 | 1008  | 1                                   |
| 18 | 58,3           | 54,85          | TS 05T18 | 45 | 22 | 1008  | 1                                   |
| 19 | 61,3           | 57,87          | TS 05T19 | 45 | 22 | 1008  | 1                                   |
| 20 | 64,3           | 60,89          | TS 05T20 | 46 | 22 | 1008  | 1                                   |
| 21 | 68,0           | 63,91          | TS 05T21 | 46 | 22 | 1008  | 1                                   |
| 22 | 71,0           | 66,93          | TS 05T22 | 50 | 22 | 1008  | 1                                   |
| 23 | 73,5           | 69,95          | TS 05T23 | 63 | 25 | 1210  | 1                                   |
| 24 | 77,0           | 72,97          | TS 05T24 | 63 | 25 | 1210  | 1                                   |
| 25 | 80,0           | 76,02          | TS 05T25 | 63 | 25 | 1210  | 1                                   |
| 26 | 83,0           | 79,02          | TS 05T26 | 63 | 25 | 1210  | 1                                   |
| 27 | 86,0           | 82,02          | TS 05T27 | 63 | 25 | 1210  | 1                                   |
| 28 | 89,0           | 85,07          | TS 05T28 | 63 | 25 | 1210  | 1                                   |
| 30 | 94,7           | 91,12          | TS 05T30 | 63 | 25 | 1210  | 1                                   |

**1/2" x 5/16" - 08B R. 8,51**

| Z  | D <sub>e</sub> | D <sub>p</sub> | Simplex  |    |    |   | Esecuz. tipo<br>Type<br>Typ<br>Typo |
|----|----------------|----------------|----------|----|----|---|-------------------------------------|
|    |                |                | cod.     | d  | H  | per Bussola<br>für Buchse<br>pour Moyeux amovibles<br>para Casquillos cónicos |                                     |
| 15 | 65,5           | 61,90          | TS 09T15 | 45 | 22 | 1008  | 1                                   |
| 16 | 69,5           | 65,10          | TS 09T16 | 50 | 22 | 1108  | 1                                   |
| 17 | 73,6           | 69,11          | TS 09T17 | 60 | 25 | 1210  | 1                                   |
| 18 | 77,8           | 73,14          | TS 09T18 | 60 | 25 | 1210  | 1                                   |
| 19 | 81,7           | 77,16          | TS 09T19 | 63 | 25 | 1210  | 1                                   |
| 20 | 85,8           | 81,19          | TS 09T20 | 71 | 25 | 1610  | 1                                   |
| 21 | 89,7           | 85,22          | TS 09T21 | 71 | 25 | 1610  | 1                                   |
| 22 | 93,8           | 89,24          | TS 09T22 | 71 | 25 | 1610  | 1                                   |
| 23 | 98,2           | 93,27          | TS 09T23 | 76 | 25 | 1610  | 1                                   |
| 24 | 101,8          | 97,29          | TS 09T24 | 76 | 25 | 1610  | 1                                   |
| 25 | 105,8          | 101,33         | TS 09T25 | 76 | 25 | 1610  | 1                                   |
| 26 | 110,0          | 105,36         | TS 09T26 | 76 | 25 | 1610  | 1                                   |
| 27 | 114,4          | 109,40         | TS 09T27 | 76 | 25 | 1610  | 1                                   |
| 28 | 118,0          | 113,42         | TS 09T28 | 90 | 32 | 2012  | 1                                   |
| 30 | 126,1          | 121,50         | TS 09T30 | 90 | 32 | 2012  | 1                                   |

**5/8" x 3/8" - 10B R. 10,16**

|    |       |        |          |    |    |      |   |
|----|-------|--------|----------|----|----|------|---|
| 13 | 73,0  | 66,32  | TS 10T13 | 47 | 22 | 1008 | 1 |
| 14 | 78,0  | 71,34  | TS 10T14 | 52 | 22 | 1108 | 1 |
| 15 | 83,0  | 76,36  | TS 10T15 | 60 | 25 | 1210 | 1 |
| 16 | 88,0  | 81,37  | TS 10T16 | 70 | 25 | 1610 | 1 |
| 17 | 93,0  | 86,36  | TS 10T17 | 71 | 25 | 1610 | 1 |
| 18 | 98,3  | 91,42  | TS 10T18 | 75 | 25 | 1610 | 1 |
| 19 | 103,3 | 96,45  | TS 10T19 | 75 | 25 | 1610 | 1 |
| 20 | 108,4 | 101,49 | TS 10T20 | 75 | 25 | 1610 | 1 |
| 21 | 113,4 | 106,52 | TS 10T21 | 76 | 25 | 1610 | 1 |
| 22 | 118,0 | 111,55 | TS 10T22 | 76 | 25 | 1610 | 1 |
| 23 | 123,4 | 116,58 | TS 10T23 | 76 | 25 | 1610 | 1 |
| 24 | 128,3 | 121,62 | TS 10T24 | 90 | 32 | 1610 | 1 |
| 25 | 134,0 | 126,66 | TS 10T25 | 90 | 32 | 2012 | 1 |
| 26 | 139,0 | 131,70 | TS 10T26 | 90 | 32 | 2012 | 1 |
| 27 | 144,0 | 136,75 | TS 10T27 | 90 | 32 | 2012 | 1 |
| 28 | 148,7 | 141,78 | TS 10T28 | 90 | 32 | 2012 | 1 |
| 30 | 158,8 | 151,87 | TS 10T30 | 90 | 32 | 2012 | 1 |

**3/4" x 7/16" - 12B R. 12,07**

|    |       |        |          |     |    |      |   |
|----|-------|--------|----------|-----|----|------|---|
| 13 | 87,5  | 79,59  | TS 11T13 | 60  | 25 | 1210 | 1 |
| 14 | 93,6  | 85,61  | TS 11T14 | 70  | 25 | 1610 | 1 |
| 15 | 99,8  | 91,63  | TS 11T15 | 70  | 25 | 1610 | 1 |
| 16 | 105,5 | 97,65  | TS 11T16 | 75  | 25 | 1610 | 1 |
| 17 | 111,5 | 103,67 | TS 11T17 | 76  | 25 | 1610 | 1 |
| 18 | 118,0 | 109,71 | TS 11T18 | 90  | 32 | 2012 | 1 |
| 19 | 124,2 | 115,75 | TS 11T19 | 90  | 32 | 2012 | 1 |
| 20 | 129,7 | 121,78 | TS 11T20 | 90  | 32 | 2012 | 1 |
| 21 | 136,0 | 127,82 | TS 11T21 | 102 | 45 | 2517 | 1 |
| 22 | 141,8 | 133,86 | TS 11T22 | 102 | 45 | 2517 | 1 |
| 23 | 149,0 | 139,90 | TS 11T23 | 108 | 45 | 2517 | 1 |
| 24 | 153,9 | 145,94 | TS 11T24 | 108 | 45 | 2517 | 1 |
| 25 | 160,0 | 152,00 | TS 11T25 | 108 | 45 | 2517 | 1 |
| 26 | 165,9 | 158,04 | TS 11T26 | 108 | 45 | 2517 | 1 |
| 27 | 172,3 | 164,00 | TS 11T27 | 108 | 45 | 2517 | 1 |
| 28 | 178,0 | 170,13 | TS 11T28 | 108 | 45 | 2517 | 1 |
| 30 | 190,5 | 182,25 | TS 11T30 | 108 | 45 | 2517 | 1 |

**1" x 17,2 - 16B R. 15,88**

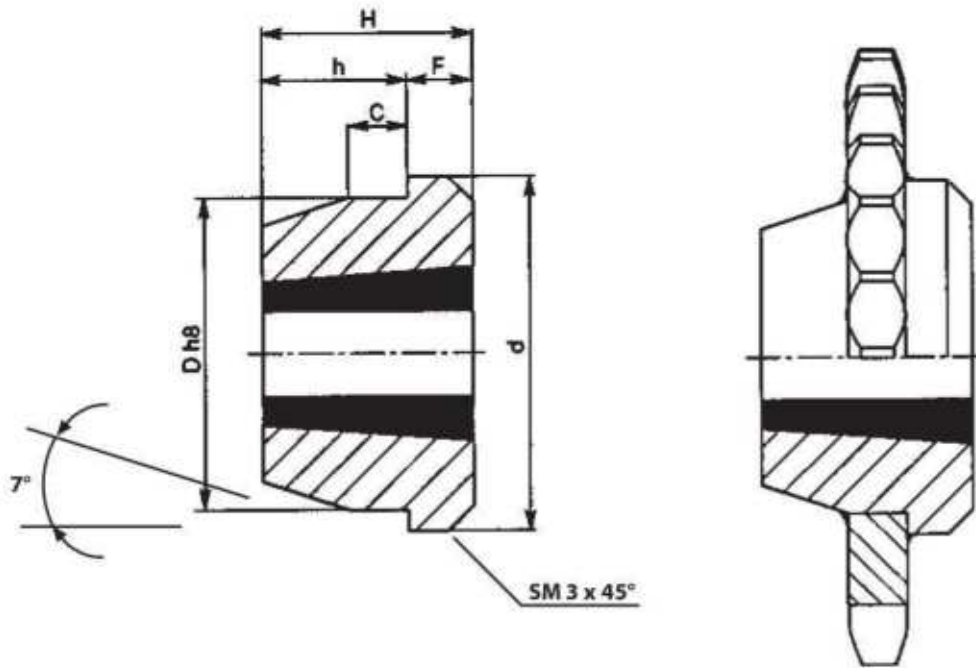
|    |       |        |          |     |    |      |   |
|----|-------|--------|----------|-----|----|------|---|
| 13 | 117,0 | 106,12 | TS 12T13 | 73  | 25 | 1610 | 1 |
| 14 | 125,0 | 114,15 | TS 12T14 | 76  | 25 | 1610 | 1 |
| 15 | 133,0 | 122,17 | TS 12T15 | 76  | 25 | 1610 | 1 |
| 16 | 141,0 | 130,20 | TS 12T16 | 90  | 32 | 2012 | 1 |
| 17 | 149,0 | 138,22 | TS 12T17 | 90  | 32 | 2012 | 1 |
| 18 | 157,0 | 146,28 | TS 12T18 | 108 | 45 | 2517 | 1 |
| 19 | 165,2 | 154,33 | TS 12T19 | 108 | 45 | 2517 | 1 |
| 20 | 173,2 | 162,38 | TS 12T20 | 108 | 45 | 2517 | 1 |
| 21 | 181,2 | 170,43 | TS 12T21 | 110 | 45 | 2517 | 1 |
| 22 | 189,3 | 178,48 | TS 12T22 | 110 | 45 | 2517 | 1 |
| 23 | 197,5 | 186,53 | TS 12T23 | 110 | 45 | 2517 | 1 |
| 24 | 205,5 | 194,59 | TS 12T24 | 110 | 45 | 2517 | 1 |
| 25 | 213,5 | 202,66 | TS 12T25 | 110 | 45 | 2517 | 1 |
| 26 | 221,6 | 210,72 | TS 12T26 | 110 | 45 | 2517 | 1 |
| 27 | 229,6 | 218,79 | TS 12T27 | 110 | 45 | 2517 | 1 |
| 28 | 237,7 | 226,85 | TS 12T28 | 110 | 45 | 2517 | 1 |
| 30 | 254,0 | 243,00 | TS 12T30 | 140 | 51 | 3020 | 1 |

**1" 1/4 x 3/4" - 20B R. 19,05**

|    |       |        |          |     |    |      |   |
|----|-------|--------|----------|-----|----|------|---|
| 13 | 147,8 | 132,65 | TS 13T13 | 90  | 32 | 2012 | 1 |
| 15 | 167,9 | 152,72 | TS 13T15 | 108 | 45 | 2517 | 1 |
| 17 | 187,9 | 172,78 | TS 13T17 | 108 | 45 | 2517 | 1 |
| 19 | 208,1 | 192,91 | TS 13T19 | 108 | 45 | 2517 | 1 |
| 21 | 228,2 | 213,04 | TS 13T21 | 108 | 45 | 2517 | 1 |
| 23 | 248,3 | 233,17 | TS 13T23 | 108 | 45 | 2517 | 1 |
| 25 | 268,5 | 253,33 | TS 13T25 | 108 | 45 | 2517 | 1 |
| 27 | 288,6 | 273,40 | TS 13T27 | 150 | 51 | 3020 | 1 |
| 30 | 318,9 | 303,75 | TS 13T30 | 150 | 51 | 3020 | 1 |

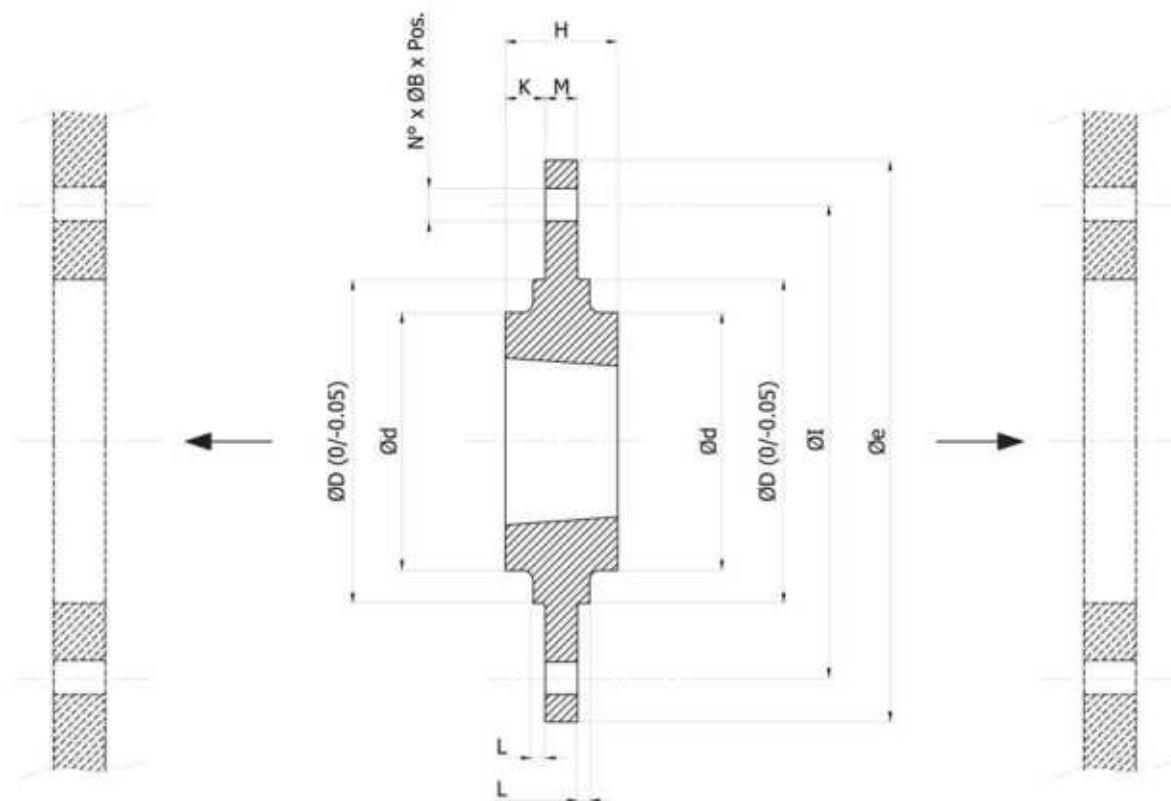


**Mozzi saldabili per bussola conica**  
**Welding hubs for taper bushes**  
**Einschweissnaben für Taper-Spannbuchsen**  
**Moyeux coniques a souder**  
**Cubos soldados para casquillos cónicos**



| Materiale Fe  | Material Fe | Werkstoff Fe | Matière Fe | Material Fe |    |    |     |
|---|-------------|--------------|------------|-------------|----|----|-----|
| Tipo bussola<br>Bush type<br>Buchse typ<br>Moyeux type<br>Casquillos tipo | cod.        | d            | H          | C           | F  | h  | Dh8 |
| 1210  | MSB1210     | 73           | 25         | 10          | 9  | 16 | 60  |
| 1215  | MSB1215     | 76           | 38         | 11          | 16 | 22 | 60  |
| 1610  | MSB1610     | 83           | 25         | 10          | 9  | 16 | 70  |
| 1615  | MSB1615     | 83           | 38         | 11          | 16 | 22 | 70  |
| 2012  | MSB2012     | 96           | 32         | 12          | 10 | 22 | 90  |
| 2517  | MSB2517     | 127          | 45         | 13          | 19 | 26 | 110 |
| 3020  | MSB3020     | 152          | 51         | 18          | 24 | 27 | 130 |
| 3030  | MSB3030     | 152          | 76         | 19          | 25 | 51 | 130 |
| 3525  | MSB3525     | 184          | 65         | 25          | 25 | 40 | 155 |
| 3535  | MSB3535     | 184          | 89         | 25          | 32 | 57 | 155 |
| 4040  | MSB4040     | 225          | 102        | 35          | 32 | 70 | 195 |
| 4545  | MSB4545     | 254          | 114        | 40          | 38 | 76 | 220 |
| 5050  | MSB5050     | 276          | 127        | 40          | 38 | 89 | 242 |

**Mozzi smontabili per bussola conica**  
**Bolt-on hubs for taper bushes**  
**Anschraubnaben für Spannbuchsen**  
**Plateaux à boulonner pour m.a.**  
**Cubos atornillados para casquillos cónicos**



**Ghisa**  
**EN-GJL-250 UNI EN 1561**  
 (\*) Acciaio S235JR UNI EN 10025-2

**Cast iron**  
**EN-GJL-250 UNI EN 1561**  
 (\*) Steel S235JR UNI EN 10025-2

**Grauguss**  
**EN-GJL-250 UNI EN 1561**  
 (\*) Stahl S235JR UNI EN 10025-2

**Fonte**  
**EN-GJL-250 UNI EN 1561**  
 (\*) Acier S235JR UNI EN 10025-2

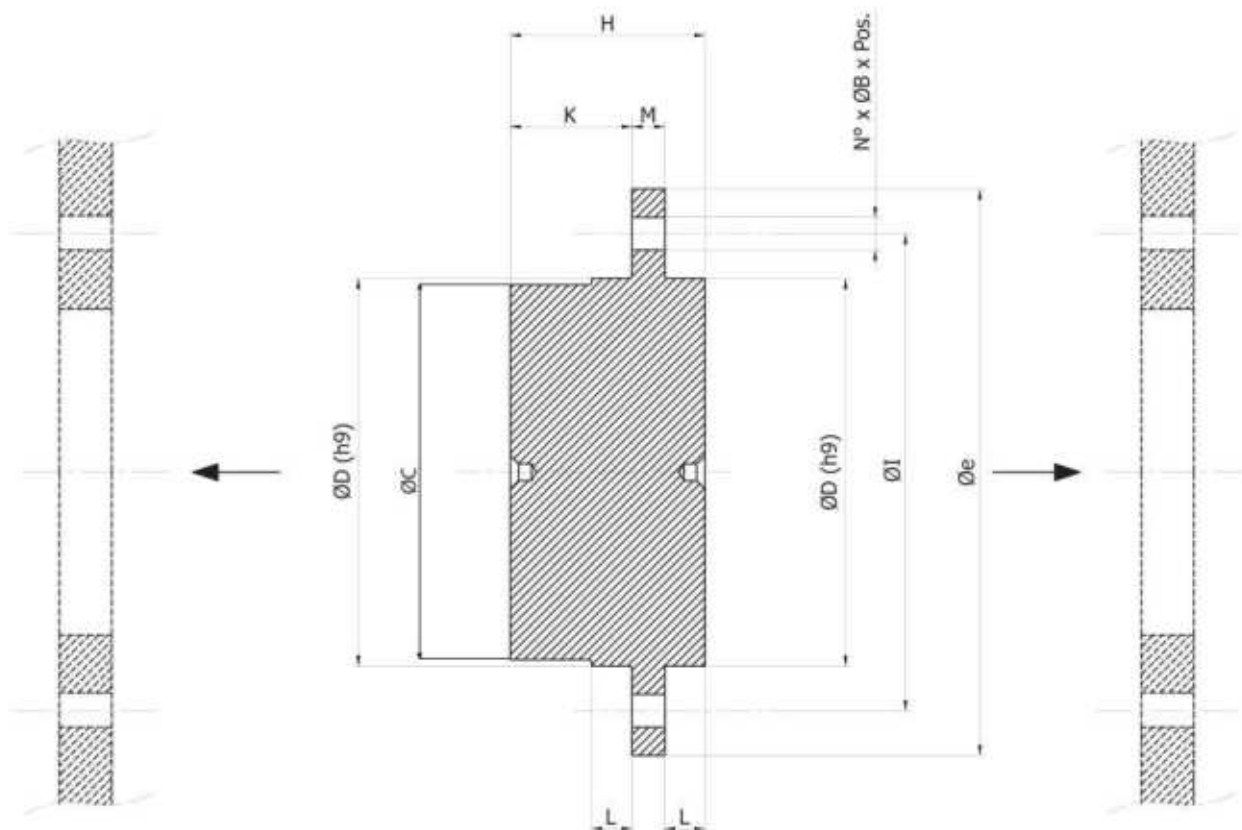
**Hierro fundido**  
**EN-GJL-250 UNI EN 1561**  
 (\*) Acero S235JR UNI EN 10025-2

| Cod.           | per Bussola (**)<br>for Bush (**)<br>für Buchse (**)<br>pour Moyeux amovibles (**)<br>para Casquillos cónicos (**) | Øe  | ØD (0/-0,05) | ØI  | Ød  | H  | K     | M    | L   | N° | ØB   | Pos. |
|----------------|--|-----|--------------|-----|-----|----|-------|------|-----|----|------|------|
|                |  |     |              |     |     |    |       |      |     |    |      |      |
| MCT1210120     | 1210   | 120 | 80           | 100 | 70  | 25 | 9,00  | 7,5  | 2,5 | 6  | 7,5  | 60°  |
| MCT1210180     | 1210   | 180 | 90           | 135 | 75  | 25 | 9,25  | 6,5  | 2,5 | 6  | 7,5  | 60°  |
| MCT1610130     | 1610   | 130 | 90           | 110 | 80  | 25 | 9,00  | 7,5  | 2,5 | 6  | 7,5  | 60°  |
| MCT1615200     | 1615   | 200 | 110          | 150 | 85  | 38 | 15,30 | 7,5  | 2,5 | 6  | 7,5  | 60°  |
| MCT2012145     | 2012   | 145 | 115          | 125 | 95  | 32 | 12,00 | 9,5  | 2,5 | 6  | 9,5  | 60°  |
| MCT2012270     | 2012   | 270 | 140          | 190 | 110 | 32 | 11,80 | 8,5  | 2,5 | 6  | 9,5  | 60°  |
| MCT2517185     | 2517   | 185 | 130          | 155 | 115 | 45 | 19,00 | 12,5 | 2,5 | 6  | 11,5 | 60°  |
| MCT2517340     | 2517   | 340 | 170          | 240 | 125 | 45 | 17,80 | 9,5  | 2,5 | 8  | 11,5 | 45°  |
| MCT3020220     | 3020   | 220 | 165          | 190 | 145 | 51 | 19,00 | 12,5 | 2,5 | 6  | 13,5 | 60°  |
| MCT3020430     | 3020   | 430 | 220          | 300 | 160 | 51 | 18,80 | 13,5 | 2,5 | 8  | 13,5 | 45°  |
| MCT3020485 (*) | 3020   | 485 | 250          | 340 | 160 | 51 | 18,80 | 13,5 | 2,5 | 8  | 13,5 | 45°  |

(\*\*) esclusa / not included / nicht eingeschlossen / non inclus / no incluido



**Mozzi smontabili per corone**  
**Bolt-on hubs for plate wheels**  
**Anschraubnaben für Kettenradscheiben**  
**Plateaux à boulonner pour disques**  
**Cubos atornillados para discos**



**Acciaio**  
**S235JR UNI EN 10025-2**

**Steel**  
**S235JR UNI EN 10025-2**

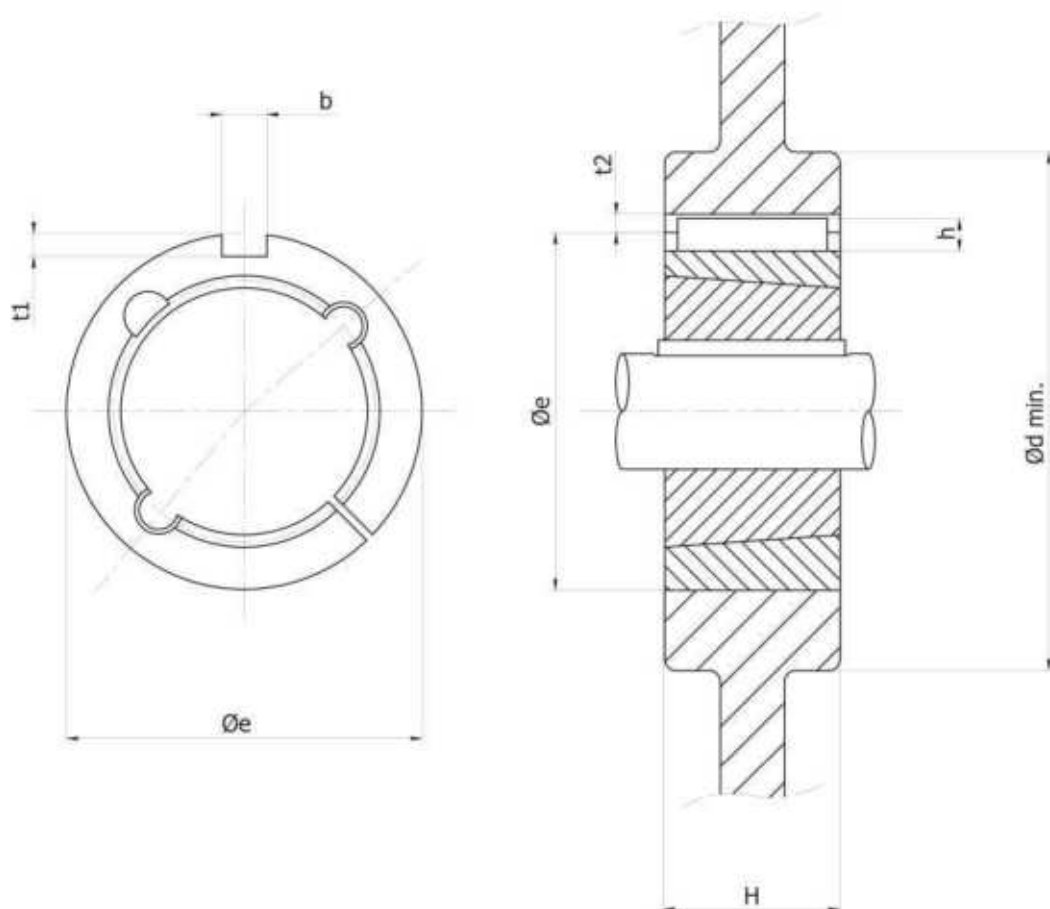
**Stahl**  
**S235JR UNI EN 10025-2**

**Acier**  
**S235JR UNI EN 10025-2**

**Acero**  
**S235JR UNI EN 10025-2**

| Cod.  | Øe  | ØD (h9) | ØC  | ØI  | H    | K    | L    | M  | N° | ØB   | Pos. |
|-------|-----|---------|-----|-----|------|------|------|----|----|------|------|
| MC030 | 55  | 30      | 27  | 45  | 20,0 | 13,0 | 3,0  | 4  | 6  | 4,2  | 60°  |
| MC040 | 70  | 40      | 37  | 58  | 25,0 | 14,8 | 5,2  | 5  | 6  | 5,2  | 60°  |
| MC050 | 80  | 50      | 47  | 67  | 32,0 | 18,0 | 7,0  | 7  | 6  | 6,2  | 60°  |
| MC060 | 90  | 60      | 55  | 76  | 38,5 | 22,8 | 8,7  | 7  | 6  | 6,2  | 60°  |
| MC070 | 110 | 70      | 65  | 94  | 45,5 | 27,0 | 10,5 | 8  | 6  | 8,2  | 60°  |
| MC080 | 130 | 80      | 75  | 107 | 55,0 | 28,0 | 15,0 | 12 | 6  | 8,2  | 60°  |
| MC100 | 170 | 100     | 95  | 140 | 73,0 | 33,0 | 23,0 | 17 | 6  | 10,2 | 60°  |
| MC140 | 220 | 140     | 135 | 182 | 83,0 | 40,0 | 23,0 | 20 | 6  | 12,2 | 60°  |
| MC160 | 245 | 160     | 155 | 205 | 93,0 | 43,0 | 25,0 | 25 | 6  | 16,5 | 60°  |

**Adattatori per bussole coniche**  
**Adaptors for taper bushes**  
**Adapter für Taper-Spannbuchsen**  
**Adaptateurs pour moyeu amovible**  
**Adaptatores para casquillos cónicos**



**Ghisa**                      **Cast iron**                      **Grauguss**                      **Fonte**                      **Hierro fundido**  
**EN-GJL-250 UNI EN 1561**    **EN-GJL-250 UNI EN 1561**    **EN-GJL-250 UNI EN 1561**    **EN-GJL-250 UNI EN 1561**    **EN-GJL-250 UNI EN 1561**

| Cod.    | per Bussola (*)<br>for Bush (*)<br>für Buchse (*)<br>pour Moyeux amovibles (**)<br>para Casquillos cónicos (*) | Øe  | H   | b x h  |  | t1 (**) | t2 (**) | Ød min.                                     |   |
|---------|--|-----|-----|--|--|---------|---------|---|---|
|         |  |     |     | per Linguetta UNI 6604 (*)<br>for Key UNI 6604 (*)<br>für Passfeder UNI 6604 (*)<br>pour Clavette UNI 6604 (*)<br>para Claves UNI 6604 (*) |  |         |         | Acciaio<br>Steel<br>Stahl<br>Acier<br>Acero | Ghisa<br>Cast Iron<br>Grauguss<br>Fonte<br>Hierro fundido |
| ABC1008 | 1008   | 45  | 22  | 5 x 5  |  | 2,5     | 2,8     | 60  | 75  |
| ABC1210 | 1210   | 60  | 25  | 6 x 6  |  | 3,0     | 3,3     | 85  | 105   |
| ABC1610 | 1610   | 70  | 25  | 10 x 8   |  | 4,0     | 4,3     | 95  | 115   |
| ABC1615 | 1615   | 70  | 38  | 10 x 8   |  | 4,0     | 4,3     | 95  | 115   |
| ABC2517 | 2517   | 105 | 45  | 16 x 10  |  | 4,0     | 6,3     | 130   | 150   |
| ABC3030 | 3030   | 130 | 76  | 20 x 12  |  | 5,0     | 7,4     | 160   | 190   |
| ABC3535 | 3535   | 160 | 90  | 22 x 12 (**)   |  | 5,0     | 7,4     | 200   | 240   |
| ABC4040 | 4040   | 185 | 102 | 24 x 12 (**)   |  | 5,0     | 7,4     | 240   | 290   |

(\*) esclusa / not included / nicht eingeschlossen / non inclus / no incluido

(\*\*) Queste dimensioni divergono dai requisiti della norma UNI 6604 / These dimensions differ from the requirements of UNI 6604  
 Diese Maße weichen von den Anforderungen der Norm UNI 6604 ab / Ces dimensions s'écartent des exigences de la norme UNI 6604  
 Estas dimensiones difieren de los requisitos de la norma UNI 6604



## Bussole coniche / Taper bushes Taper Spannbuchsen / Moyeux amovibles / Casquillos cónicos

Le bussole coniche sono il sistema più pratico e conveniente per fissare dei componenti a un albero di trasmissione senza ricorrere ad attrezzature particolari.

Essendo infatti già provviste di foro finito, cava, fori filettati e viti di fissaggio, permettono di risparmiare sui costi e i tempi delle lavorazioni meccaniche speciali.

Tutte le bussole coniche della nostra gamma possono essere utilizzate indifferentemente sui seguenti prodotti:

- Pignoni per catena
- Pulegge a gola
- Pulegge dentate
- Giunti flessibili
- Giunti HRC
- Mozzi saldabili

### MONTAGGIO

Assicurarsi che le superfici coniche siano pulite, prive di oli o polveri. Inserire la bussola nella ruota in modo da allineare i fori (1).

Posizionare le viti nei fori filettati, senza stringerle.

Pulire l'albero e quindi montare ruota e bussola nella posizione desiderata, considerando che la bussola stringe prima l'albero e poi la ruota (2).

Stringere le viti prima a mano (3) poi gradualmente e in modo alternato con una chiave esagonale (4). Verificare la chiusura delle viti dopo un breve periodo di funzionamento.

### SMONTAGGIO

Allentare tutte le viti e rimuovere una o due in base al numero dei fori di smontaggio.

Inserire le viti nei fori di smontaggio ed avvitare in modo alternato fino all'allentamento della bussola e fintanto che il gruppo non sia libero sull'albero (5). Rimuovere la bussola e la ruota dall'albero.

*Taper bushes are the most convenient and cost effective method of fixing components to a mating shaft without using any special tools.*

*Taper bushes are already provided with the required bore, keyway, threaded holes and setting screws, thus allowing to save time and money on machining processes.*

*All taper bushes in our range are designed for use with all the following products:*

- Chain sprockets
- V-belt pulleys
- Timing belt pulleys
- Flexible couplings
- HRC couplings
- Weld-on hubs

### INSTALLATION

*After ensuring that the mating surfaces are clean and free from oil and dirt, insert bush in wheel hub so that holes line up (1).*

*Place screws loosely in the threaded holes.*

*Clean shaft and fit assembly to shaft in the position desired, considering that bush will grip the shaft first and then the wheel (2).*

*Tighten screws first by hand (3), then using an Allen wrench, gradually and alternately (4).*

*After short time running of the drive, check tightness of screws.*

### REMOVAL

*Loosen all screws and remove one or two according to the number of removal holes. Insert screws into removal holes and tighten them alternately until the bush is loosened and the assembly is free on the shaft (5). Remove assembly from the shaft.*

Die Spannbuchsen stellen das praktischste und günstigste System zur Befestigung von Bauteilen auf Antriebswellen dar, ohne dass auf spezielle Einrichtungen zurückgegriffen werden muss.

Da die Spannbuchsen mit Fertigbohrung, Passfedernut, Gewindebohrungen und Befestigungsschrauben schon versehen sind, ermöglichen sie, an Kosten und Zeitaufwand für spezielle maschinelle Bearbeitungen zu sparen. Alle Spannbuchsen aus unserer Reihe können unterschiedslos auf den folgenden Produkten benutzt werden:

- Kettenräder
- Keilriemenscheiben
- Zahnriemenscheiben
- Drehelastische Kupplungen
- HRC-Kupplungen
- Einschweissnaben

### EINBAU

Sicherstellen dass die Kegelflächen öl- und staubfrei sind, anschließend die Buchse in die Nabe einbauen, und prüfen dass die Bohrungen fluchten (1). Die Befestigungsschrauben in die Gewindebohrungen einsetzen, ohne sie anzuziehen.

Die Welle reinigen und die Scheibe zusammen mit der eingesetzten Buchse bis zur gewünschten Lage auf die Welle schieben; dabei beachten, dass die Buchse zuerst an der Welle und dann an der Scheibe spannt (2). Die Befestigungsschrauben zuerst von Hand (3), dann mittels Inbusschlüssel stufenweise und abwechselnd anziehen (4). Nach kurzer Betriebszeit Anzugsmoment der Schrauben überprüfen.

### AUSBAU

Alle Schrauben lösen. Je nach der Anzahl an Abdrückbohrungen ein oder zwei Schrauben ganz herausdrehen und in die Abdrückbohrungen einschrauben. Die Schraube oder Schrauben abwechselnd anziehen, bis sich die Buchse aus der Nabe löst und die Scheibe sich frei auf der Welle bewegen lässt (5). Scheibe und Buchse von der Welle abnehmen.

*Les moyeux amovibles représentent le système plus pratique et convenable pour fixer des composants sur un arbre de transmission sans avoir recours à aucun outil spécial.*

*Etant déjà pourvus d'alésage, rainure de clavette, trous taraudés et vis de fixation, les moyeux amovibles prêts à monter permettent d'économiser sur les coûts et les temps d'usinage.*

*Tous les moyeux amovibles de notre gamme peuvent être utilisés indifféremment avec les produits suivants:*

- Pignons à chaîne
- Poulies trapézoïdales
- Poulies dentées
- Accouplements élastiques
- Accouplements HRC
- Moyeux à souder

### MONTAGE

*Une fois les surfaces coniques soigneusement nettoyées et dégraissées, introduire le moyeu dans la roue en alignant correctement les taraudages (1).*

*Mettre en place les vis dans les taraudages, sans les serrer.*

*Nettoyer l'arbre, et placer l'ensemble roue et moyeu sur l'arbre à l'endroit désiré, en se rappelant que le moyeu bloque d'abord l'arbre et ensuite la roue (2).*

*Serrer les vis d'abord à la main (3) et ensuite graduellement et alternativement avec une clé à six pans Allen (4).*

*Vérifier le serrage des vis après quelque temps de fonctionnement.*

### EXTRACTION

*Desserer toutes les vis et en ôter une ou deux selon le nombre des trous d'extraction. Insérer les vis dans les trous d'extraction et les serrer alternativement jusqu'à ce que le moyeu soit débloqué de la roue et que l'ensemble coulisse librement sur l'arbre (5).*

*Oter l'ensemble roue - moyeu de l'arbre.*

Los casquillos cónicos son el sistema más práctico y adecuado para fijar unos componentes a un eje de transmisión sin tener que utilizar utilajes particulares.

Los caquillos vienen dotados ya de agujero acabado, chavetero, prisioneros y tornillos, permitiendo así de ahorrar tiempo y reducir los gastos de las mecanizaciones especiales.

Todos los casquillos cónicos de nuestra gama se pueden utilizar con todos los productos siguientes:

- Piñones por cadena
- Poleas trapezoidales
- Poleas dentadas
- Acoplamientos flexibles
- Acoplamientos HRC
- Cubos soldables

### MONTAJE

Asegurarse que las superficies cónicas estén limpias, sin aceites o polvos. Introducir el casquillo en la rueda, de manera que los agujeros resulten alineados (1).

Ajustar los tornillos en los prisioneros, sin apretarlos.

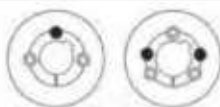
Limpiar el eje y después montar rueda y casquillo en la posición deseada, teniendo en cuenta que el casquillo antes aprieta el eje y después la rueda (2).

Apretar los tornillos manualmente (3), después progresivamente y de manera alternada con una llave hexagonal (4).

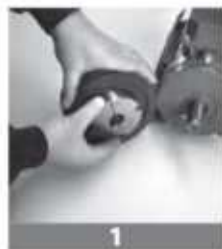
Averiguar el cierre de los tornillos después de un breve periodo de marcha.

### DESMONTAJE

Soltar todos los tornillos y quitar uno o dos según el número de los agujeros de desmontaje. Introducir los tornillos en los ejes y enroscar de manera alternada hasta la distensión del casquillo, y hasta que el grupo no resulte soltado del eje (5). Quitar el casquillo y la rueda del eje.

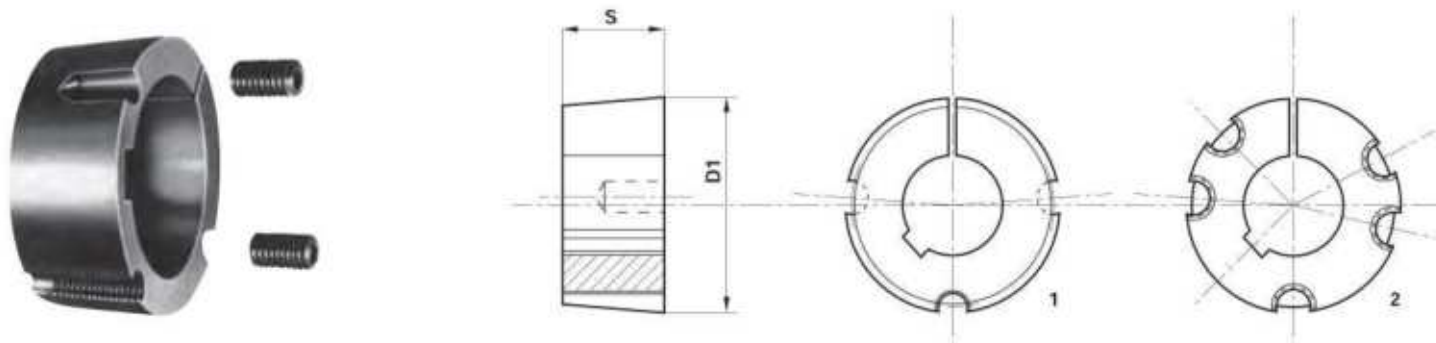


• Fori di smontaggio / Removal holes / Abdrückbohrungen / Trous d'extraction / Agujeros de desmontaje



# Bussole coniche / Taper bushes

## Taper Spannbuchsen / Moyeux amovibles / Casquillos cónicos taper



**Ghisa**  
EN-GJL-250 UNI EN 1561

**Cast iron**  
EN-GJL-250 UNI EN 1561

**Grauguss**  
EN-GJL-250 UNI EN 1561

**Fonte**  
EN-GJL-250 UNI EN 1561

**Hierro fundido**  
EN-GJL-250 UNI EN 1561

**Fori standard serie metrica**

**Standard stock bores metric series**

**Standard Bohrungen metrische Reihe**

**Alésages standard de stock série métrique**

**Taladros standard de acopio serie métrica**

**Esempio:** Codice Foro in mm  
Ø 14 = 1615014

**Exemple:** Code symbol Bore in mm  
Ø 14 = 1615014

**Beispiel:** Bezeichnung Bohrung in mm  
Ø 14 = 1615014

**Exemple:** Code symbole Alesage en mm  
Ø 14 = 1615014

**Ejemplo:** Numero de fabrica Taladros en mm  
Ø 14 = 1615014

| Tipo bussola<br>Bush type<br>Buchse Typ<br>Moyeux type<br>Casquillos tipo | Cod.    | Foro (ISO E 8)<br>Bore (ISO E 8)<br>Bohrung (ISO E 8)<br>Alesage (ISO E 8)<br>Taladro (ISO E 8) | Coppia trasmissibile<br>Transmissible torque<br>übertragbares Drehmoment<br>Couple transmissible<br>Cupla de transmission | Viti<br>Screws<br>Schrauben<br>Vis<br>Tornillo | Coppia di serraggio viti<br>Screw tightening torque<br>Anzugmoment Schrauben<br>Couple de serrage des vis.<br>Par de apriete tornillos | D1    | Tipo<br>Type<br>Typ<br>Type<br>Tipo | S     | Peso<br>Weight<br>Gewicht<br>Poids<br>Peso |
|---|---------|---|---|--|--|-------|-------------------------------------|-------|--|
|   |         | mm  | Nm  | B.S.W.   | Nm   | mm    |                                     | mm    | Kg   |
| 1008  | 1008... | 9 10 11 12 14 15 16 18 19 20 22 24* 25*   | 136   | 1/4" x 1/2"                                    | 5,6  | 35,0  | 1                                   | 22,3  | 0,16                                       |
| 1108  | 1108... | 9 10 11 12 14 15 16 18 19 20 22 24 25 28*   | 147   | 1/4" x 1/2"                                    | 5,6  | 38,0  | 1                                   | 22,3  | 0,16                                       |
| 1210  | 1210... | 11 12 14 15 16 18 19 20 22 24 25 28 30 32   | 407   | 3/8" x 5/8"                                    | 19,6   | 47,5  | 1                                   | 25,4  | 0,32                                       |
| 1215  | 1215... | 14 19 20 24 25 28   | 407   | 3/8" x 5/8"                                    | 19,6   | 47,5  | 1                                   | 38,1  | 0,50                                       |
| 1610  | 1610... | 14 15 16 18 19 20 22 24 25 28 30 32 35 38 40 42*  | 486   | 3/8" x 5/8"                                    | 19,6   | 57,0  | 1                                   | 25,4  | 0,41                                       |
| 1615  | 1615... | 14 16 18 19 20 22 24 25 28 30 32 35 38 40 42*   | 486   | 3/8" x 5/8"                                    | 19,6   | 57,0  | 1                                   | 38,1  | 0,60                                       |
| 2012  | 2012... | 14 16 18 19 20 22 24 25 28 30 32 35 38 40 42 45 48 50   | 808   | 7/16" x 7/8"                                   | 30,4   | 70,0  | 1                                   | 31,8  | 0,75                                       |
| 2517  | 2517... | 16 18 19 20 22 24 25 28 30 32 35 38 40 42 45 48 50 55 60 65*                                    | 1310  | 1/2" x 1"                                      | 48   | 85,5  | 1                                   | 44,5  | 1,06                                       |
| 3020  | 3020... | 25 28 30 32 35 38 40 42 45 48 50 55 60 65 70 75   | 2710  | 5/8" x 1 1/4"                                  | 90   | 108,0 | 1                                   | 50,8  | 2,50                                       |
| 3030  | 3030... | 35 38 40 42 45 48 50 55 60 65 70 75   | 2710  | 5/8" x 1 1/4"                                  | 90   | 108,0 | 1                                   | 76,2  | 3,75                                       |
| 3525  | 3525... | 35 38 40 42 45 48 50 55 60 65 70 75 80 85 90  | 5060  | 1/2" x 1 1/2"                                  | 112  | 127,0 | 2                                   | 64,9  | 4,20                                       |
| 3535  | 3535... | 35 38 40 42 45 48 50 55 60 65 70 75 80 85 90  | 5060  | 1/2" x 1 1/2"                                  | 112  | 127,0 | 2                                   | 88,9  | 5,13                                       |
| 4030  | 4030... | 40 42 45 48 50 55 60 65 70 75 80 85 90  | 8740  | 5/8" x 1 3/4"                                  | 169  | 146,0 | 2                                   | 76,2  | 6,75                                       |
| 4040  | 4040... | 40 42 45 48 50 55 60 65 70 75 80 85 90 95   | 8740  | 5/8" x 1 3/4"                                  | 169  | 146,0 | 2                                   | 101,6 | 7,68                                       |
| 4535  | 4535... | 65 70 75 80 85 90 95 100 110 120  | 12400   | 3/4" x 2"                                      | 192  | 162,0 | 2                                   | 89,0  | 9,95                                       |
| 4545  | 4545... | 55 60 65 70 75 80 85 90 95 100 110  | 12400   | 3/4" x 2"                                      | 192  | 162,0 | 2                                   | 115,0 | 10,56                                      |
| 5040  | 5040... | 70 75 80 85 90 95 100 105 110 115 120 125   | 14200   | 7/8" x 2 1/4"                                  | 271  | 177,6 | 2                                   | 101,6 | 14,20                                      |
| 5050  | 5050... | 70 75 80 85 90 95 100 105 110 115 120 125   | 14200   | 7/8" x 2 1/4"                                  | 271  | 177,6 | 2                                   | 127,0 | 15,17                                      |

**Dimensioni delle cave (UNI 6604 DIN 6885) con foro standard serie metrica**

**Dimensions of keyways (UNI 6604 DIN 6885) with standard bore metric series**

**Abmessungen der Keilnuten (UNI 6604 DIN 6885) mit Standardbohrung metrische Reihe**

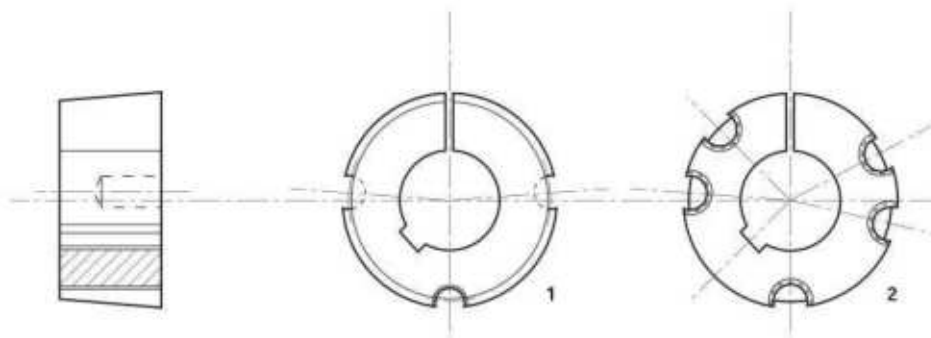
**Dimens. des rainures de clavette (UNI 6604 DIN 6885) dans le moyeux avec alésage stand. série métrique**

**Medidas de los chaveteros (UNI 6604 DIN 6885) con agujero standard serie métrica**

| D             | b  | Js9     | t       | Dimensioni delle cave ribassate<br>Dimensions of low profile keyways<br>Abmessungen der abgeflachten Keilnuten<br>Dimensions des rainures de clavette surbaissées<br>Medidas de los chaveteros rebajados |    |         |
|---------------|----|---------|---------|--|----|---------|
| D*            | b  | t       |         |  |    |         |
| Over 10 to 12 | 4  |         | D + 1,8 | 24°  | 8  | D + 1,3 |
| » 12 » 17     | 5  | ± 0,015 | D + 2,3 | 25°  | 8  | D + 1,3 |
| » 17 » 22     | 6  |         | D + 2,8 | 28°  | 8  | D + 1,3 |
| » 22 » 30     | 8  | ± 0,018 | D + 3,3 | 42°  | 12 | D + 1,3 |
| » 30 » 38     | 10 |         | D + 3,3 | 65°  | 18 | D + 2,8 |
| » 38 » 44     | 12 |         | D + 3,3 |  |    |         |
| » 44 » 50     | 14 | ± 0,021 | D + 3,8 |  |    |         |
| » 50 » 58     | 16 |         | D + 4,3 |  |    |         |
| » 58 » 65     | 18 |         | D + 4,4 |  |    |         |
| » 65 » 75     | 20 |         | D + 4,9 |  |    |         |
| » 75 » 85     | 22 | ± 0,026 | D + 5,4 |  |    |         |
| » 85 » 95     | 25 |         | D + 5,4 |  |    |         |
| » 95 » 110    | 28 |         | D + 6,4 |  |    |         |
| » 110 » 130   | 32 | ± 0,031 | D + 7,4 |  |    |         |



# Bussole coniche / Taper bushes Taper Spannbuchsen / Moyeux amovibles / Casquillos cónicos taper



**Ghisa** EN-GJL-250 UNI EN 1561      **Cast iron** EN-GJL-250 UNI EN 1561      **Grauguss** EN-GJL-250 UNI EN 1561      **Fonte** EN-GJL-250 UNI EN 1561      **Hierro fundido** EN-GJL-250 UNI EN 1561

**Fori standard in pollici**      **Standard stock bores series in inches**      **Standard Bohrungen Reihe in Zoll**      **Alésages standard de stock série en pouces**      **Taladros standard de acopio en pulgadas**

| Tipo bussola<br>Bush type<br>Buchse typ<br>Moyeux Type<br>Casquillos tipo | Cod.    | Foro in pollici (ISO E 8)<br>Bore in inches (ISO E 8)<br>Bohrung in Zoll (ISO E 8)<br>Alésage en pouces (ISO E 8)<br>Taladro en pulgadas (ISO E 8) |
|---|---------|--|
| 1008  | 1008... | 3/8" - 1/2" - 5/8" - 3/4" - 7/8" - 1"  |
| 1108  | 1108... | 3/8" - 1/2" - 5/8" - 3/4" - 7/8" - 1" - 1 1/8"   |
| 1210  | 1210... | 1/2" - 5/8" - 3/4" - 7/8" - 1" - 1 1/8" - 1 1/4"   |
| 1215  | 1215... | 1/2" - 5/8" - 3/4" - 7/8" - 1" - 1 1/8" - 1 1/4"   |
| 1610  | 1610... | 1/2" - 5/8" - 3/4" - 7/8" - 1" - 1 1/8" - 1 1/4" - 1 3/8" - 1 1/2" - 1 5/8"  |
| 1615  | 1615... | 1/2" - 5/8" - 3/4" - 7/8" - 1" - 1 1/8" - 1 1/4" - 1 3/8" - 1 1/2" - 1 5/8"  |
| 2012  | 2012... | 3/4" - 7/8" - 1" - 1 1/8" - 1 1/4" - 1 3/8" - 1 1/2" - 1 5/8" - 1 3/4" - 1 7/8" - 2"   |
| 2517  | 2517... | 3/4" - 7/8" - 1" - 1 1/8" - 1 1/4" - 1 3/8" - 1 1/2" - 1 5/8" - 1 3/4" - 1 7/8" - 2" - 2 1/8" - 2 1/4" - 2 3/8" - 2 1/2"                           |
| 3020  | 3020... | 1 1/4" - 1 3/8" - 1 1/2" - 1 5/8" - 1 3/4" - 1 7/8" - 2" - 2 1/8" - 2 1/4" - 2 3/8" - 2 1/2" - 2 5/8" - 2 3/4" - 2 7/8" - 3"                       |
| 3030  | 3030... | 1 1/4" - 1 3/8" - 1 1/2" - 1 5/8" - 1 3/4" - 1 7/8" - 2" - 2 1/8" - 2 1/4" - 2 3/8" - 2 1/2" - 2 5/8" - 2 3/4" - 2 7/8" - 3"                       |
| 3525  | 3525... | 1 1/2" - 1 5/8" - 1 3/4" - 1 7/8" - 2" - 2 1/8" - 2 1/4" - 2 3/8" - 2 1/2" - 2 5/8" - 2 3/4" - 2 7/8" - 3" - 3 1/8" - 3 1/4" - 3 3/8" - 3 1/2"     |
| 3535  | 3535... | 1 1/2" - 1 5/8" - 1 3/4" - 1 7/8" - 2" - 2 1/8" - 2 1/4" - 2 3/8" - 2 1/2" - 2 5/8" - 2 3/4" - 2 7/8" - 3" - 3 1/8" - 3 1/4" - 3 3/8" - 3 1/2"     |
| 4030  | 4030... | 1 3/4" - 1 7/8" - 2" - 2 1/8" - 2 1/4" - 2 3/8" - 2 1/2" - 2 5/8" - 2 3/4" - 2 7/8" - 3" - 3 1/8" - 3 1/4" - 3 3/8" - 3 1/2" - 3 5/8" - 4"         |
| 4040  | 4040... | 1 3/4" - 1 7/8" - 2" - 2 1/8" - 2 1/4" - 2 3/8" - 2 1/2" - 2 5/8" - 2 3/4" - 2 7/8" - 3" - 3 1/8" - 3 1/4" - 3 3/8" - 3 1/2" - 3 5/8" - 4"         |
| 4535  | 4535... | 2 1/4" - 2 3/8" - 2 1/2" - 2 5/8" - 2 3/4" - 2 7/8" - 3" - 3 1/8" - 3 1/4" - 3 3/8" - 3 1/2" - 3 5/8" - 4" - 4 1/4" - 4 1/2"                       |
| 4545  | 4545... | 2 1/4" - 2 3/8" - 2 1/2" - 2 5/8" - 2 3/4" - 2 7/8" - 3" - 3 1/8" - 3 1/4" - 3 3/8" - 3 1/2" - 3 5/8" - 4" - 4 1/4" - 4 1/2"                       |
| 5040  | 5040... | 2 3/4" - 2 7/8" - 3" - 3 1/8" - 3 1/4" - 3 3/8" - 3 1/2" - 3 5/8" - 4" - 4 1/4" - 4 1/2" - 4 3/4" - 5"   |
| 5050  | 5050... | 2 3/4" - 2 7/8" - 3" - 3 1/8" - 3 1/4" - 3 3/8" - 3 1/2" - 3 5/8" - 4" - 4 1/4" - 4 1/2" - 4 3/4" - 5"   |

**Dimensioni delle cave (B.S. 46: part. 1: 1958) con fori in pollici**

**Dimensions of keyways (B.S. 46: part. 1: 1958) with standard bores in inches**

**Abmessungen der Keilnuten (B.S. 46: part. 1: 1958) mit Standardbohrung in Zoll**

**Dimensions des rainures des clavettes (B.S. 46: part. 1: 1958) dans le moyeux avec alésage standard série in pouces**

**Medidas de los chaveteros (B.S. 46: part. 1: 1958) en los casquillos con taladro standard en pulgadas**

| D      |        | b      | t         |  | Dimensioni delle cave ribassate<br>Dimensions of low profile keyways<br>Abmessungen der abgeflachten Keilnuten<br>Dimensions des rainures de clavette surbaissées<br>Medidas de los chaveteros rebajados |       |           |
|--------|--------|--------|-----------|--|--|-------|-----------|
| OVER   | TO     |        |           |  | D*   | b     | t         |
| 1/4"   | 1/2"   | 1/8"   | D + 1/16" |  | 1"   | 1/4"  | D + 1/16" |
| 1/2"   | 3/4"   | 3/16"  | D + 3/32" |  |  |       |           |
| 3/4"   | 1"     | 1/4"   | D + 1/8"  |  |  |       |           |
| 1"     | 1 1/4" | 5/16"  | D + 1/8"  |  | 1 1/8"   | 5/16" | D + 5/64" |
| 1 1/4" | 1 1/2" | 3/8"   | D + 1/8"  |  |  |       |           |
| 1 1/2" | 1 3/4" | 7/16"  | D + 5/32" |  |  |       |           |
| 1 3/4" | 2"     | 1/2"   | D + 5/32" |  | 1 5/8"   | 7/16" | D + 1/8"  |
| 2"     | 2 1/2" | 5/8"   | D + 7/32" |  |  |       |           |
| 2 1/2" | 3"     | 3/4"   | D + 1/4"  |  |  |       |           |
| 3"     | 3 1/2" | 7/8"   | D + 5/16" |  |  |       |           |
| 3 1/2" | 4"     | 1"     | D + 3/8"  |  |  |       |           |
| 4"     | 5"     | 1 1/4" | D + 7/16" |  |  |       |           |
| 5"     | 6"     | 1 1/2" | D + 1/2"  |  |  |       |           |
| 6"     | 7"     | 1 3/4" | D + 5/8"  |  |  |       |           |